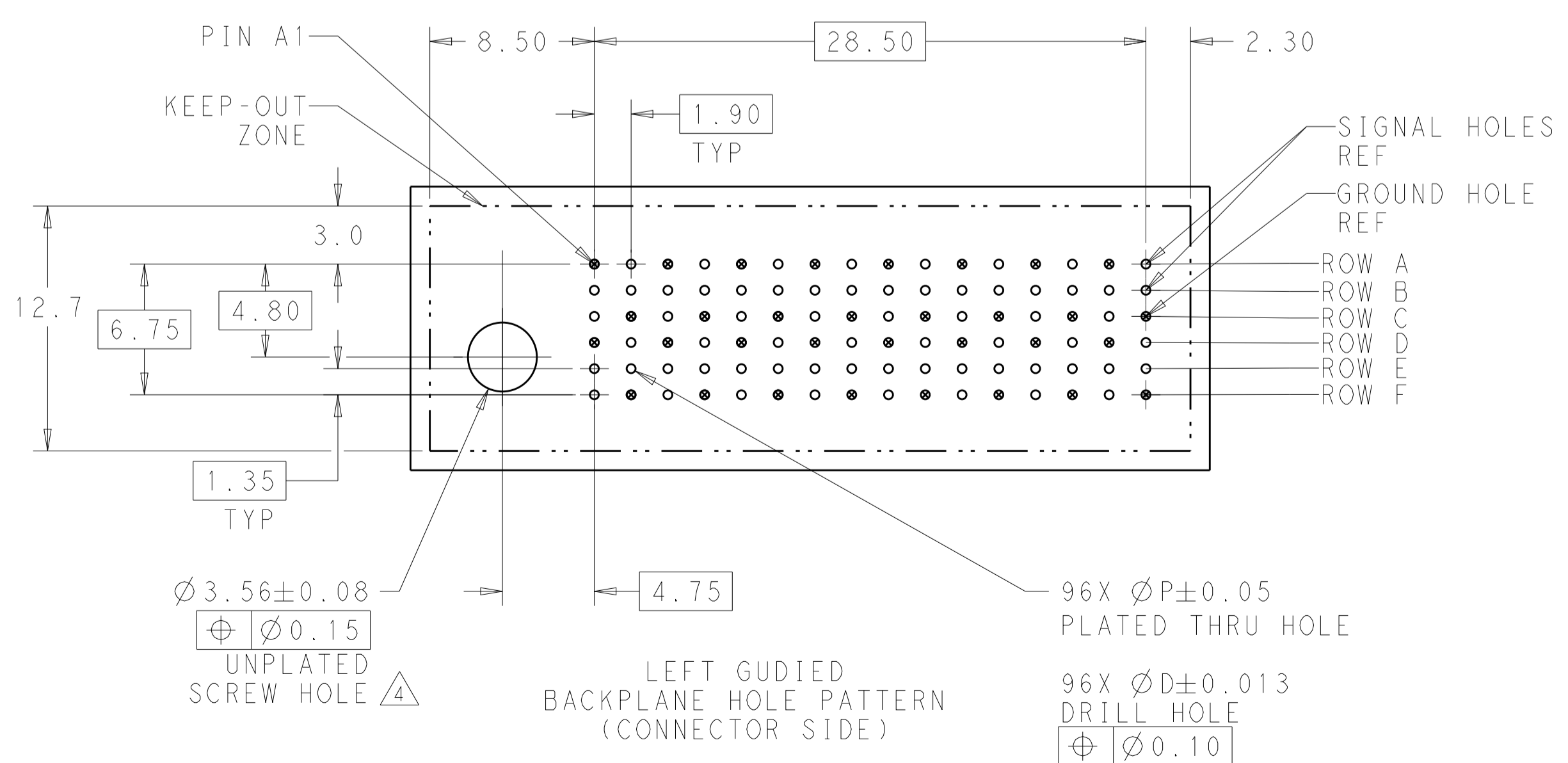
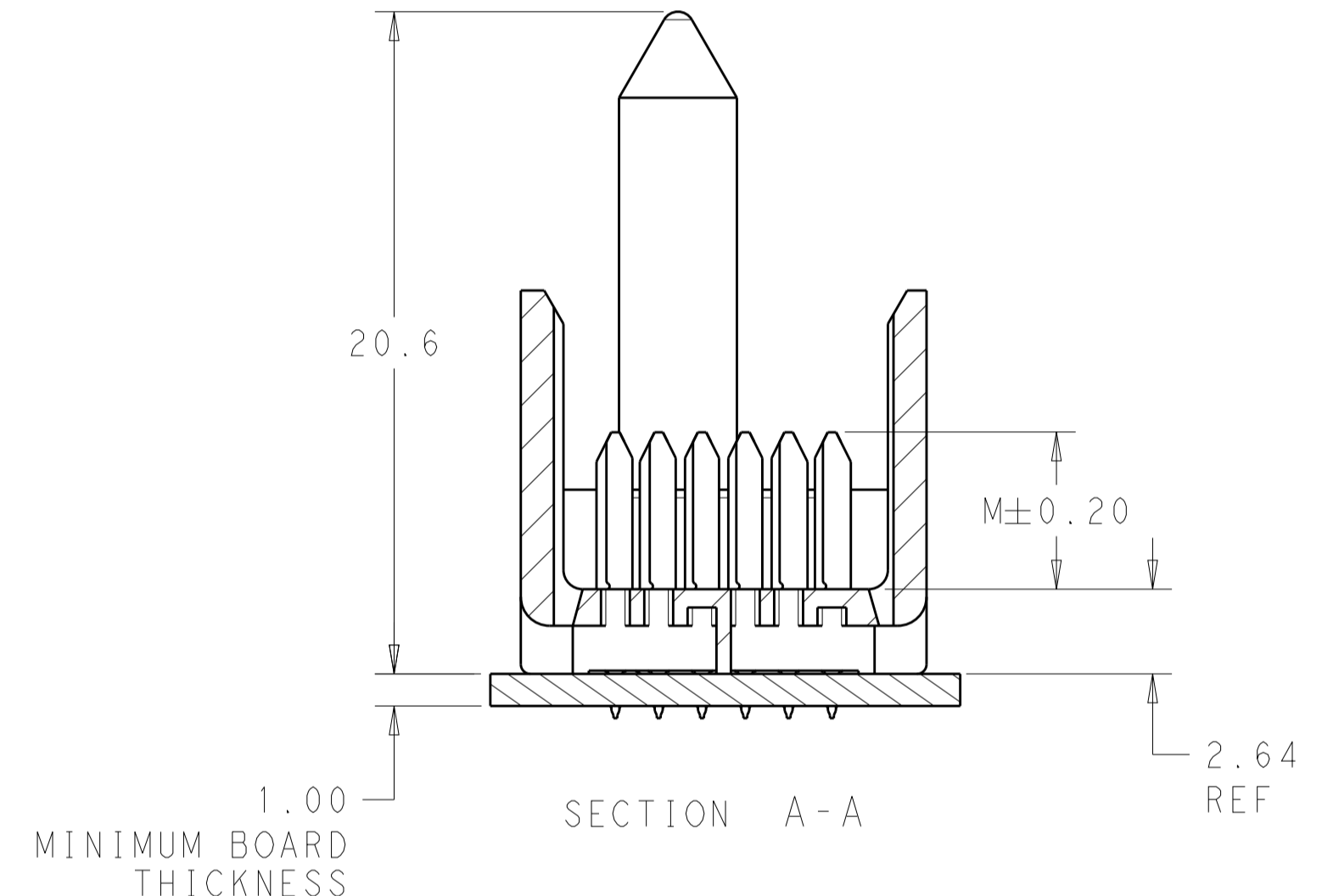
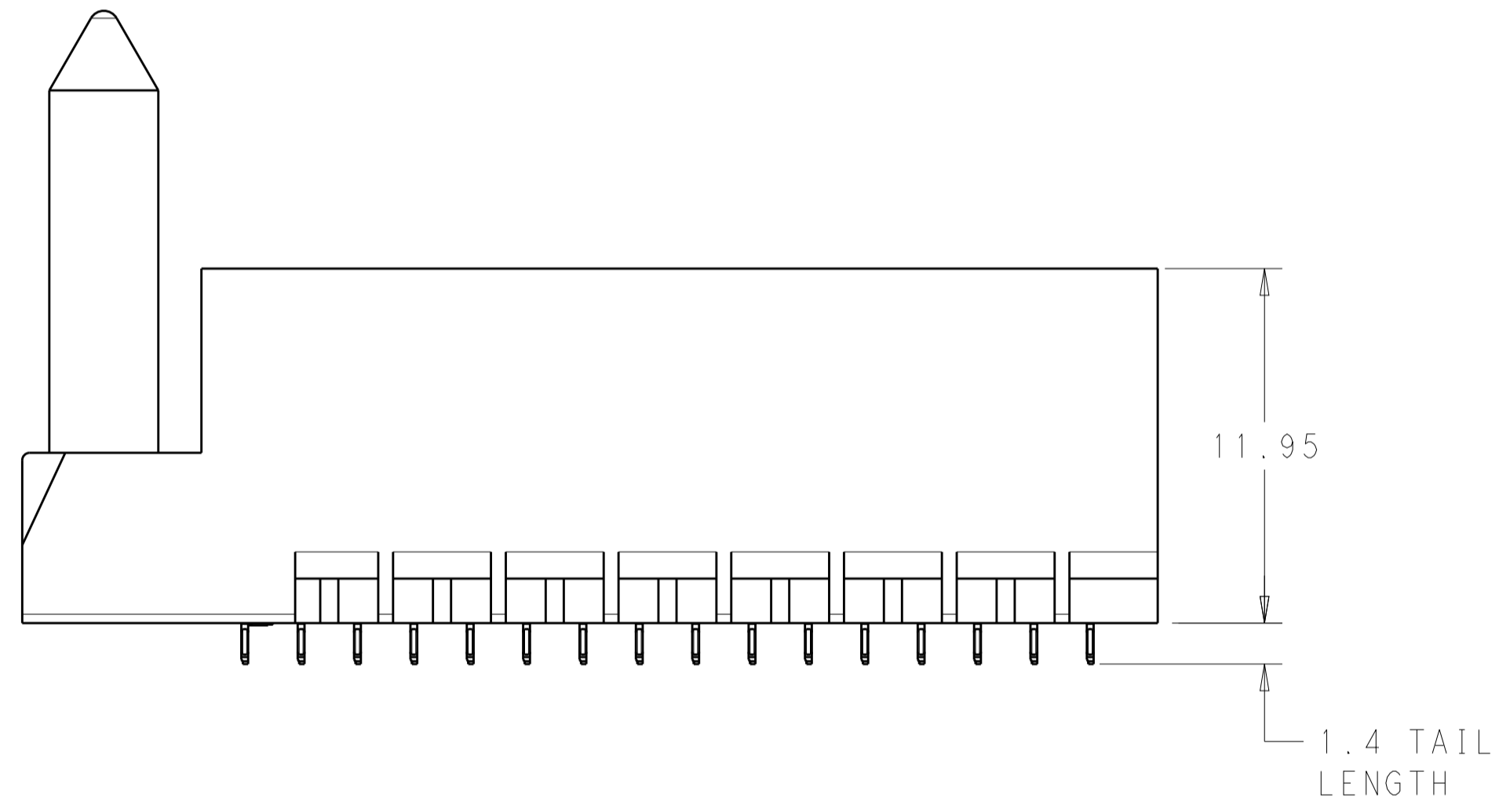
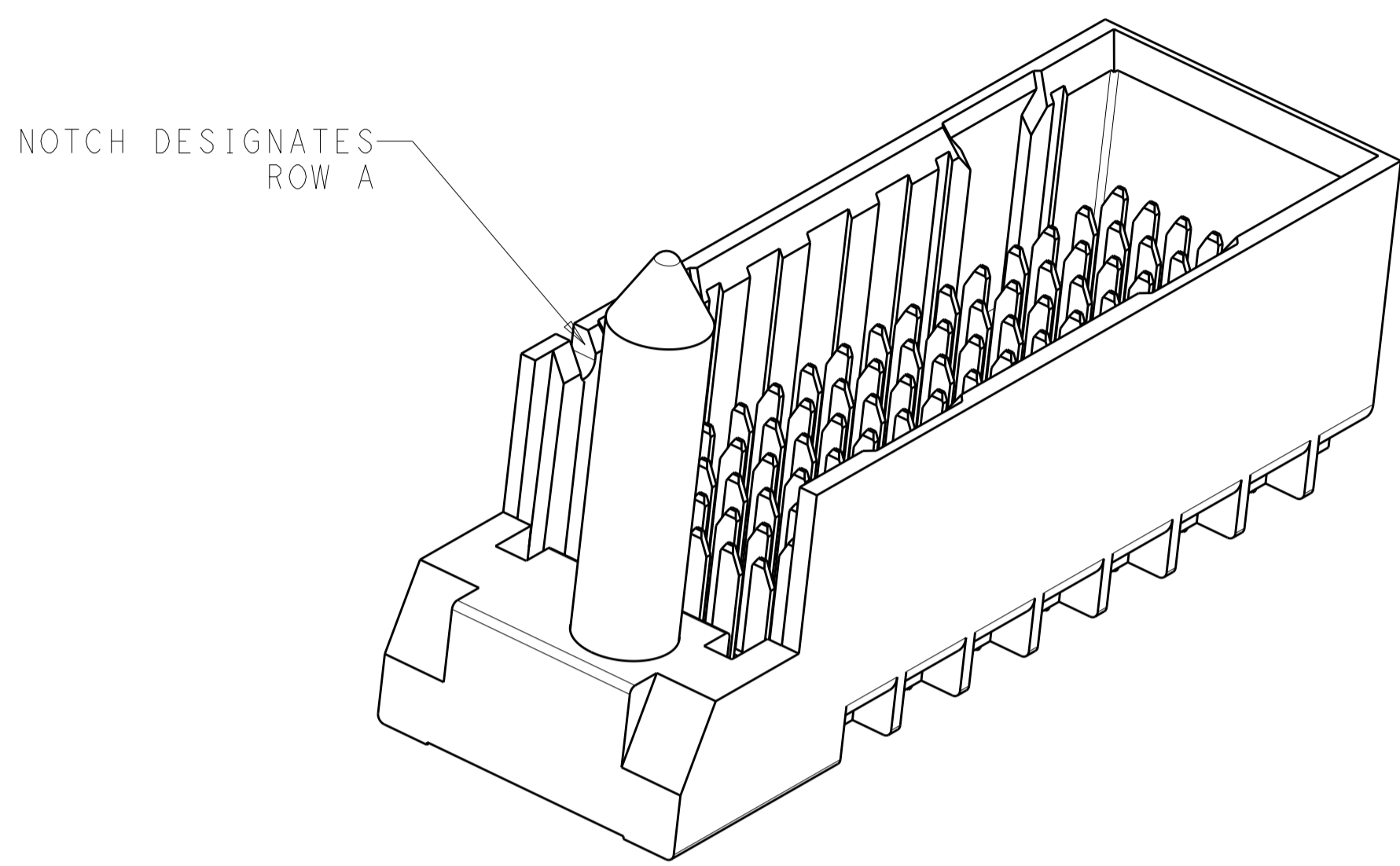
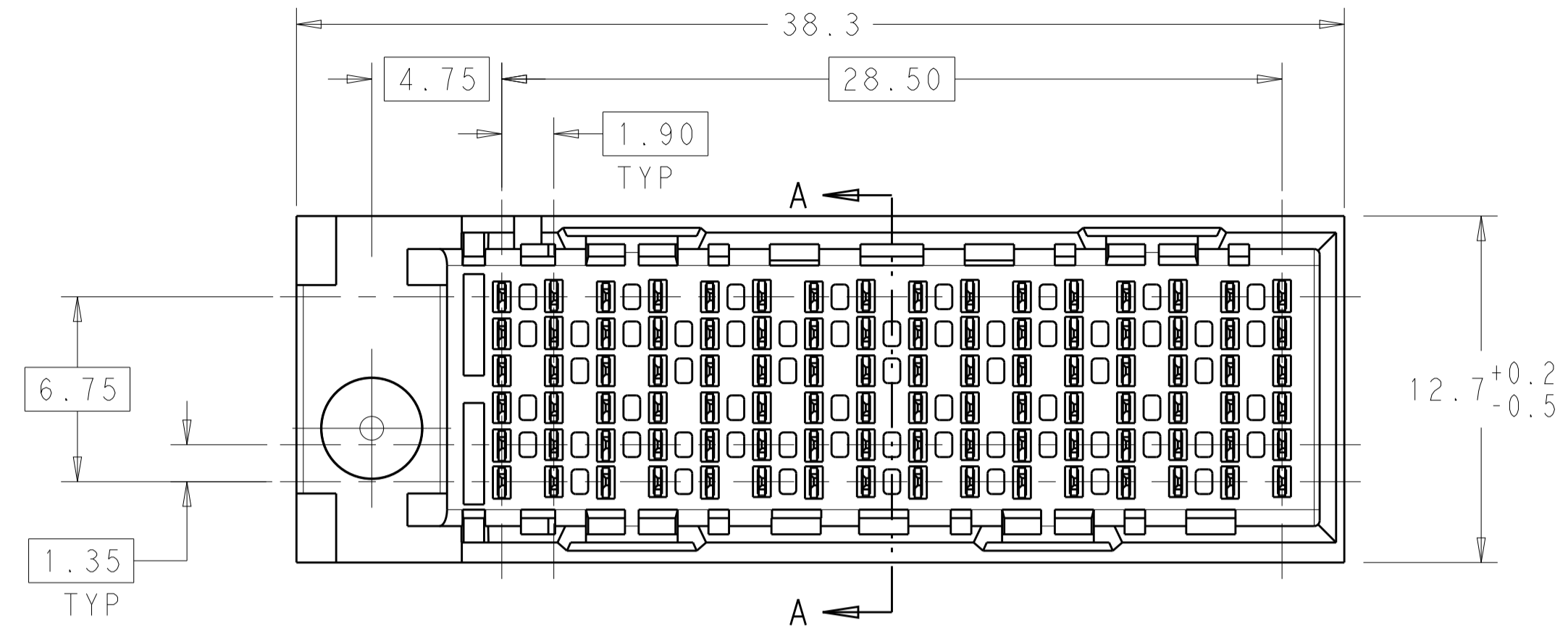


LOC		DIST		REVISIONS			
P	LTN	DESCRIPTION	DATE	DWN	APVD		
A1		OPEN ENDWALL, SIGNAL MODULE	31MAR2015	AP	DD		



THIS DRAWING IS A CONTROLLED DOCUMENT.		DWN	AJITH PAI	16MAY2014	TE Connectivity
DIMENSIONS:		CHK	D. DIXON	16MAY2014	
mm	0 PLC ±0.25 1 PLC ±0.13 2 PLC ±0.13 3 PLC ±0.13 4 PLC ±0.13	APVD	D. DIXON	16MAY2014	NAME
TOLERANCES UNLESS OTHERWISE SPECIFIED:		PRODUCT SPEC		IMPACT, 85 OHM, STANDARD 2 PAIR PLUS, 16 COLUMN HEADER, LEFT GUIDED, OPEN ENDWALL, SIGNAL MODULE	
FINISH SEE TABLE		APPLICATION SPEC		SIZE	
MATERIAL		WEIGHT		A100779C=2227086	
CUSTOMER DRAWING		SCALE		5:1	
		SHEET		1 OF 2	
		REV		A1	


THIS DRAWING IS UNPUBLISHED. RELEASED FOR PUBLICATION 20
 © COPYRIGHT 20 BY - ALL RIGHTS RESERVED.

LOC	DIST	REVISIONS					
		P	LTN	DESCRIPTION	DATE	DMN	APVD
AD	00	-	-	SEE SHEET 1	-	-	-

- ① MATERIAL:
HOUSING: LCP, GLASS FILLED, UL94V-0.
TERMINALS: HIGH PERFORMANCE COPPER ALLOY.
- ② FINISH:
30μ" MIN GOLD IN CONTACT AREA. SELECTIVE TIN
ON PCB TAILS, NICKEL OVERALL.
- 3. SCREWS PACKAGED IN END OF PACKAGING TUBE.
- ④ FOR GROUNDED GUIDE PIN USE Ø3.56±0.08 PTH,
Ø3.66 DRILL, AND Ø6.5 PAD.
- 5. KEYING PIN SHOWN IN POSITION A, SEE KEYING CHART
ON SHEET 2 FOR OTHER POSITIONS.

0.55	0.46	5.5	2227086-6
0.55	0.46	4.9	2227086-5
0.55	0.46	4.5	2227086-4
0.48	0.39	5.5	2227086-3
0.48	0.39	4.9	2227086-2
0.48	0.39	4.5	2227086-1
D DRILL HOLE SIZE	P PLATED THROUGH HOLE SIZE	M POST LENGTH	PART NUMBER

REFER TO WWW.TE.COM
FOR PRODUCT AVAILABILITY

THIS DRAWING IS A CONTROLLED DOCUMENT.		DMN AJITH PAI 16MAY2014	 TE Connectivity
		CHK D. DIXON 16MAY2014	
DIMENSIONS: mm		APVD D. DIXON 16MAY2014	NAME IMPACT, 85 OHM, STANDARD, 2 PAIR PLUS, 16 COLUMN HEADER, LEFT GUIDED, OPEN ENDWALL, SIGNAL MODULE
TOLERANCES UNLESS OTHERWISE SPECIFIED: 0 PLC ± 1 PLC ±0.25 2 PLC ±0.13 3 PLC ± 4 PLC ± ANGLES ±		PRODUCT SPEC -	RESTRICTED TO
FINISH SEE TABLE		APPLICATION SPEC -	SIZE A1
MATERIAL -		WEIGHT -	CAGE CODE DRAWING NO 00779C=2227086
		CUSTOMER DRAWING	SCALE 5:1 SHEET 2 OF 2 REV A1