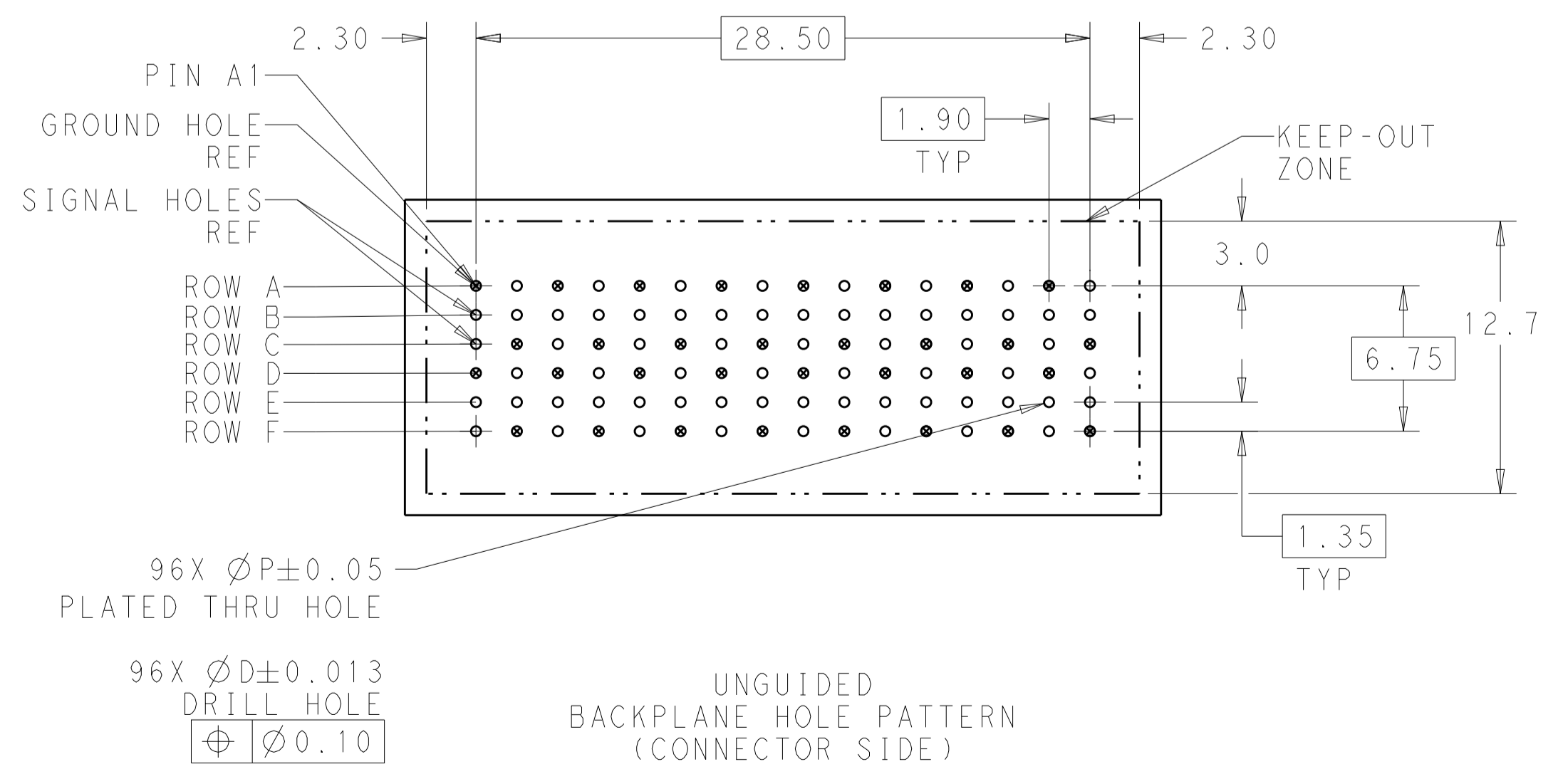
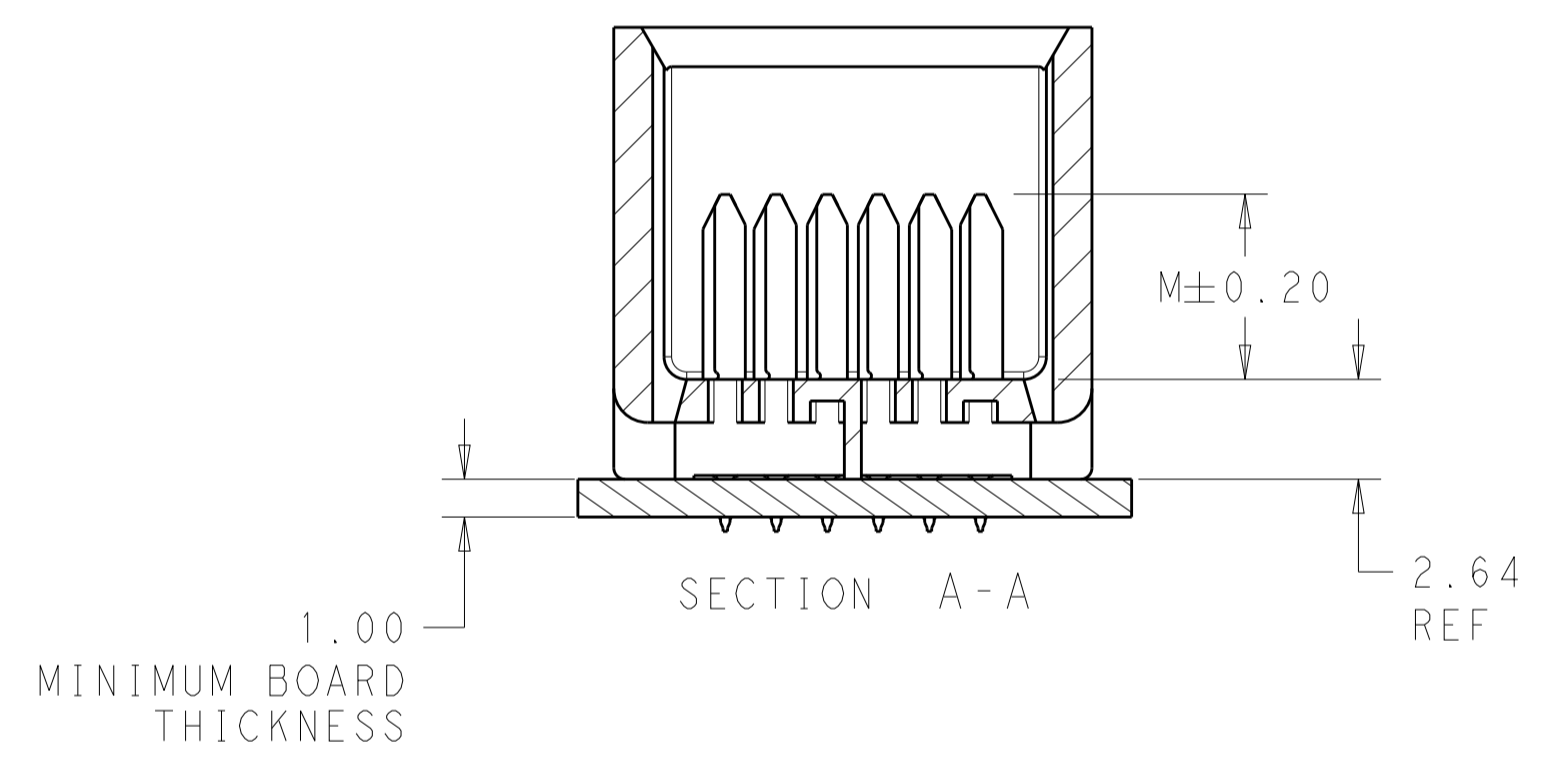
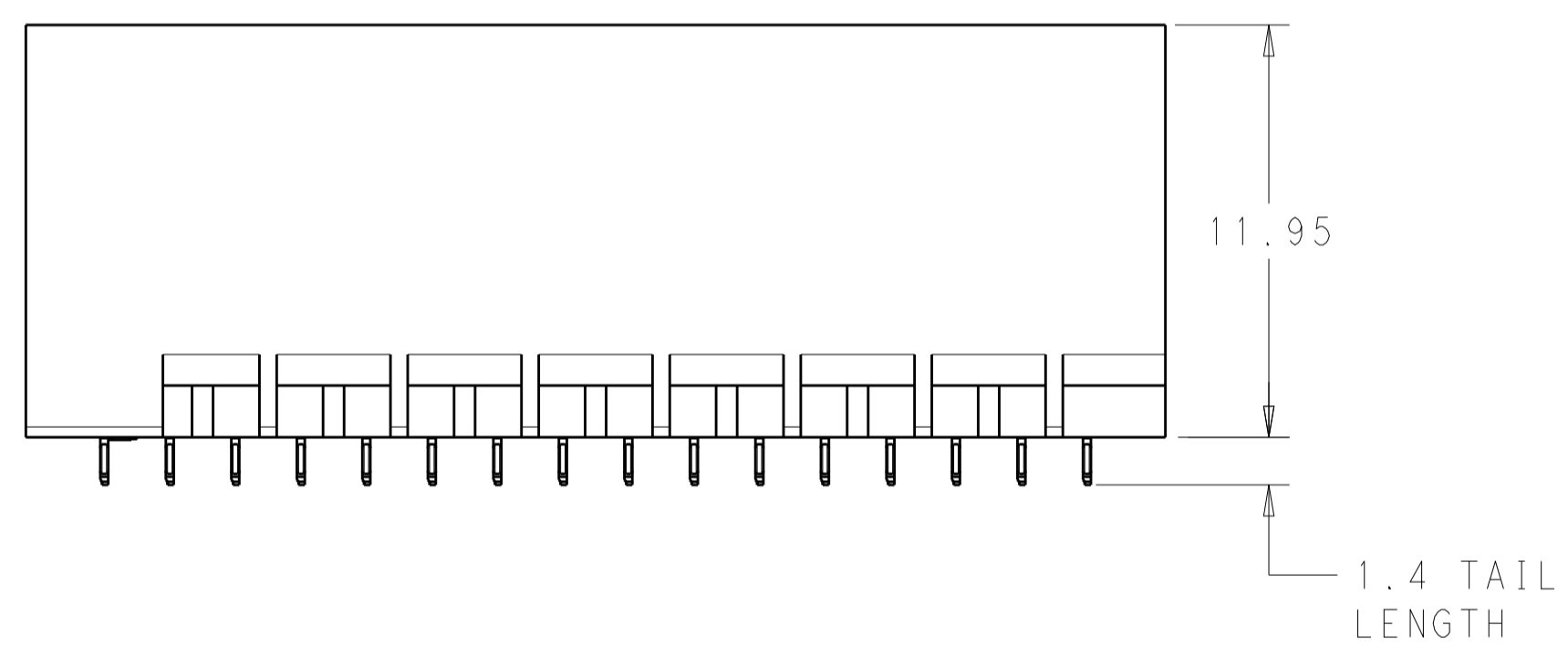
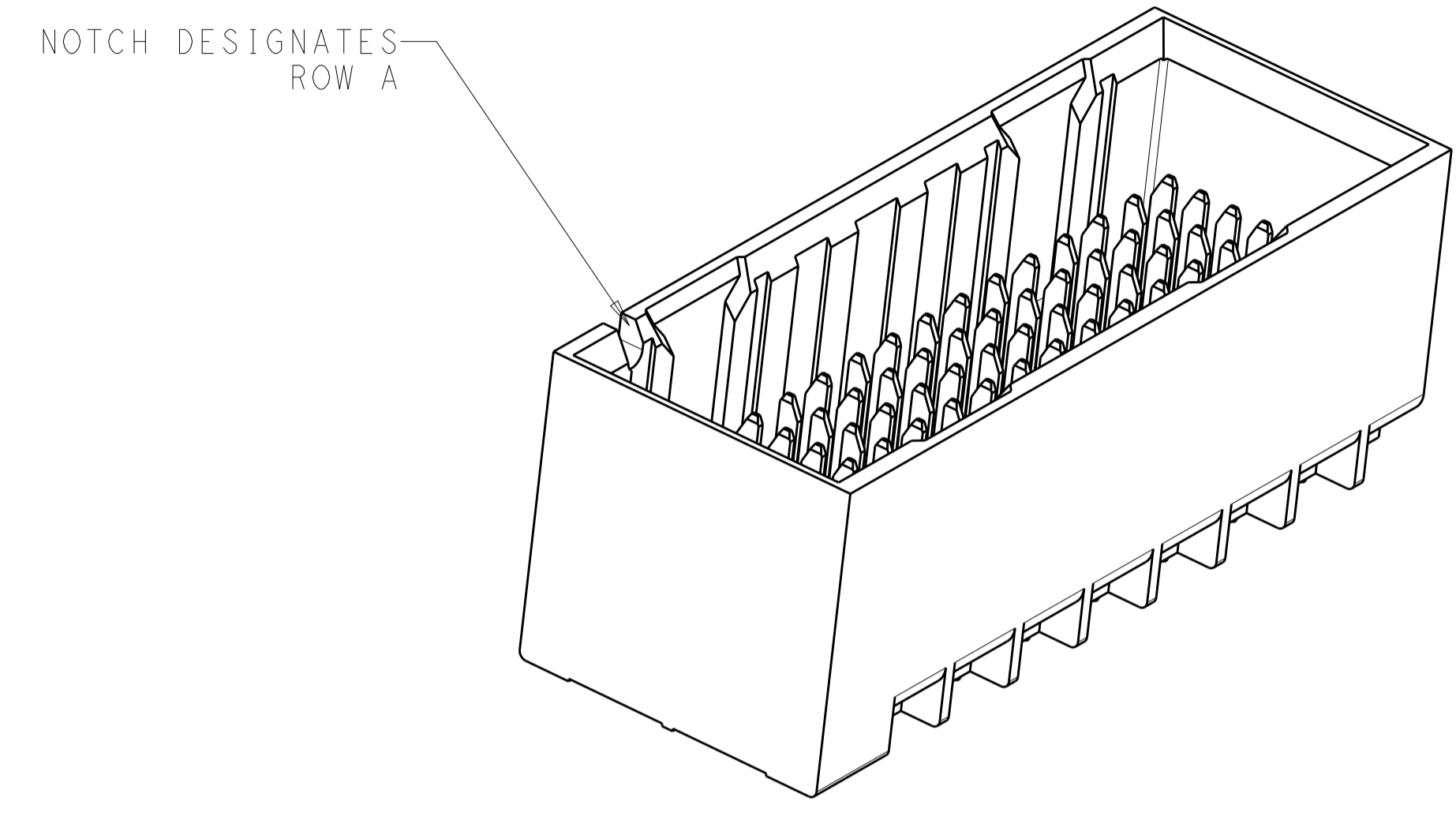
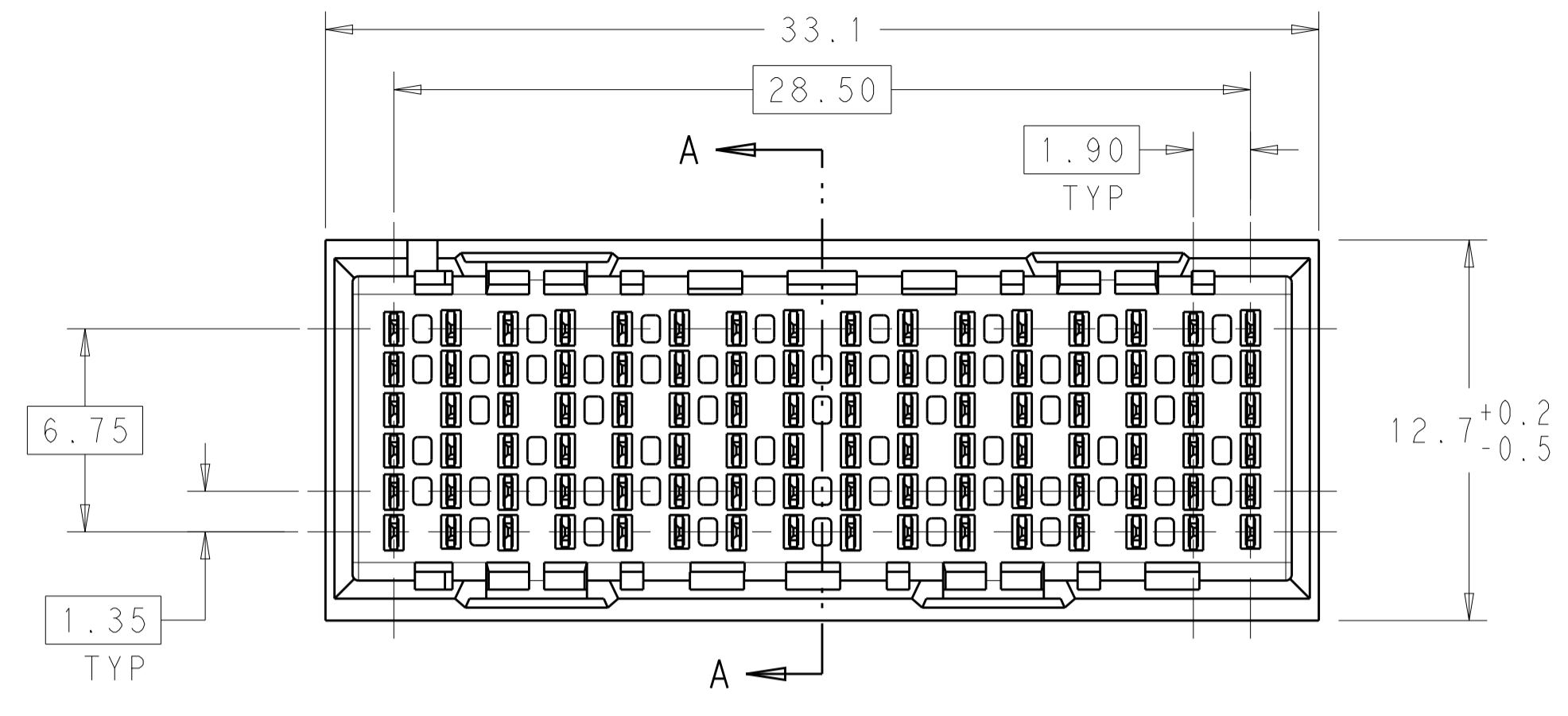


| LOC | | DIST | | REVISIONS | | | |
|-----|----|------|-----|---------------------------|-----------|-----|------|
| AD | 00 | P | LTH | DESCRIPTION | DATE | DWN | APVD |
| | | A1 | | REVISED PER ECO-15-004792 | 31MAR2015 | AP | DD |




| | | | |
|---|--|-------------------------------|--|
| THIS DRAWING IS A CONTROLLED DOCUMENT. | | DWN AJITH PAI 16MAY2014 | TE Connectivity |
| DIMENSIONS: mm | | CHK D. DIXON 16MAY2014 | |
| TOLERANCES UNLESS OTHERWISE SPECIFIED: 0 PLC ± 1 PLC ±0.25 2 PLC ±0.13 3 PLC ± 4 PLC ± ANGLES ± | | APVD D. DIXON 16MAY2014 | NAME IMPACT, 85 OHM, STANDARD, 2 PAIR PLUS, 16 COLUMN HEADER, UNGUIDED, DUAL ENDWALL, SIGNAL MODULE |
| MATERIAL SEE TABLE | | WEIGHT | SIZE A100779C=2227083 |
| CUSTOMER DRAWING | | SCALE 5:1 | SHEET 1 OF 2 |
| | | REV A1 | |

| LOC | DIST | REVISIONS | | | | | |
|-----|------|-----------|-----|-------------|------|-----|------|
| | | P | LTN | DESCRIPTION | DATE | DWN | APVD |
| AD | 00 | - | - | SEE SHEET 1 | - | - | - |
| | | | | | | | |
| | | | | | | | |

- ① MATERIAL:
HOUSING: LCP, GLASS FILLED, UL94V-0.
TERMINALS: HIGH PERFORMANCE COPPER ALLOY.
- ② FINISH:
30μ" MIN GOLD IN CONTACT AREA. SELECTIVE TIN
ON PCB TAILS, NICKEL OVERALL.
- 3. SCREWS PACKAGED IN END OF PACKAGING TUBE.
- ④ FOR GROUNDED GUIDE PIN USE Ø3.56±0.08 PTH,
Ø3.66 DRILL, AND Ø6.5 PAD.
- 5. KEYING PIN SHOWN IN POSITION A, SEE KEYING CHART
ON SHEET 2 FOR OTHER POSITIONS.

| | | | |
|-------------------------|----------------------------------|------------------|-------------|
| 0.55 | 0.46 | 5.5 | 2227083-6 |
| 0.55 | 0.46 | 4.9 | 2227083-5 |
| 0.55 | 0.46 | 4.5 | 2227083-4 |
| 0.48 | 0.39 | 5.5 | 2227083-3 |
| 0.48 | 0.39 | 4.9 | 2227083-2 |
| 0.48 | 0.39 | 4.5 | 2227083-1 |
| D DRILL HOLE SIZE | P PLATED THROUGH HOLE SIZE | M POST LENGTH | PART NUMBER |

REFER TO WWW.TE.COM
FOR PRODUCT AVAILABILITY

| | | | |
|---|--|--|---|
| THIS DRAWING IS A CONTROLLED DOCUMENT. | | DWN AJITH PAI 16MAY2014 |  TE Connectivity |
| DIMENSIONS: | | CHK D. DIXON 16MAY2014 | |
| mm 0 PLC ± 1 PLC ±0.25 2 PLC ±0.13 3 PLC ± 4 PLC ± ANGLES ± | | APVD D. DIXON 16MAY2014 | |
| MATERIAL FINISH SEE TABLE | | PRODUCT SPEC APPLICATION SPEC WEIGHT CUSTOMER DRAWING | NAME IMPACT, 85 OHM, STANDARD, 2 PAIR PLUS, 16 COLUMN HEADER, UNGUIDED, DUAL ENDWALL, SIGNAL MODULE SIZE A100779C=2227083 SCALE 5:1 SHEET 2 OF 2 REV A1 |