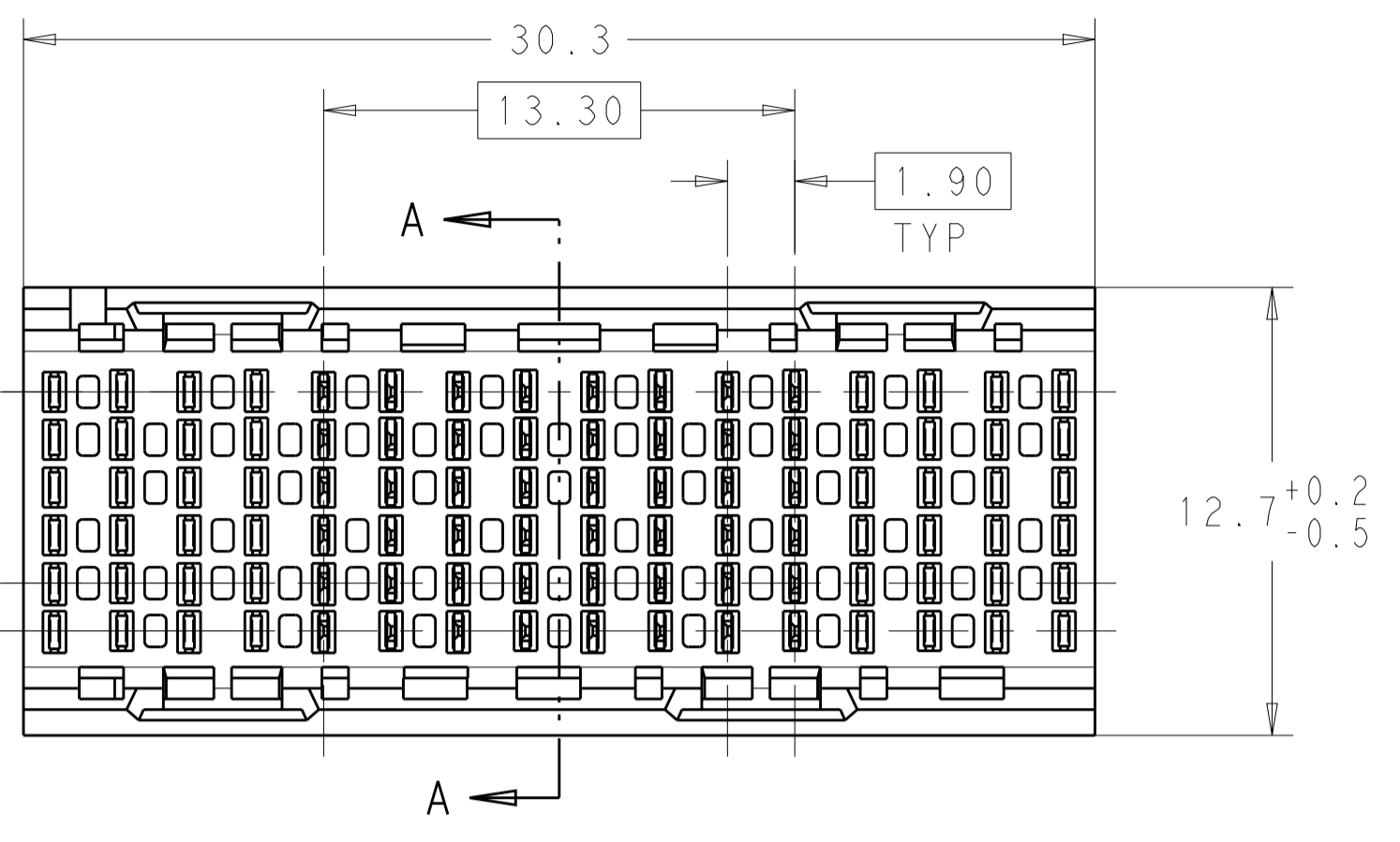
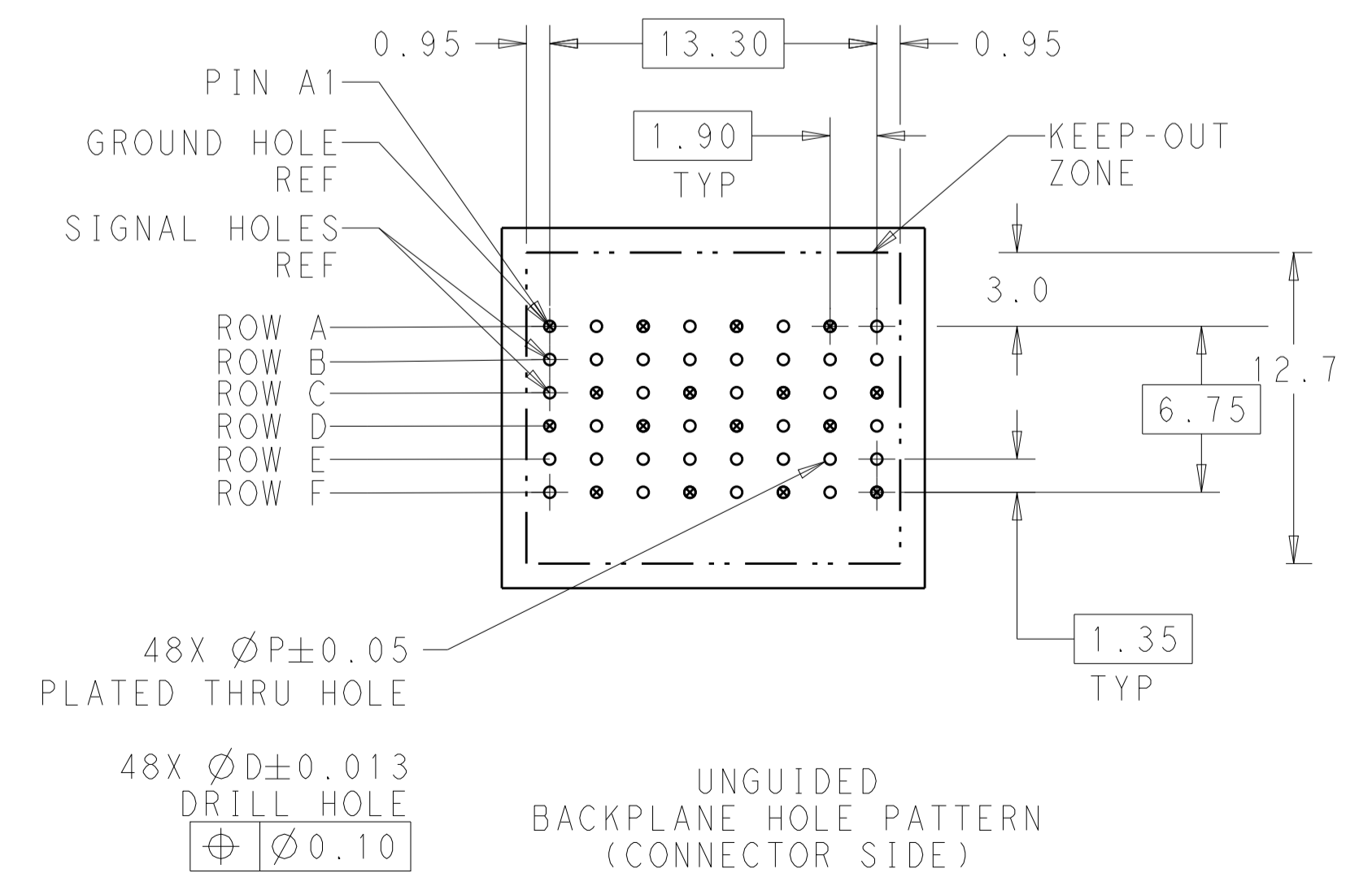
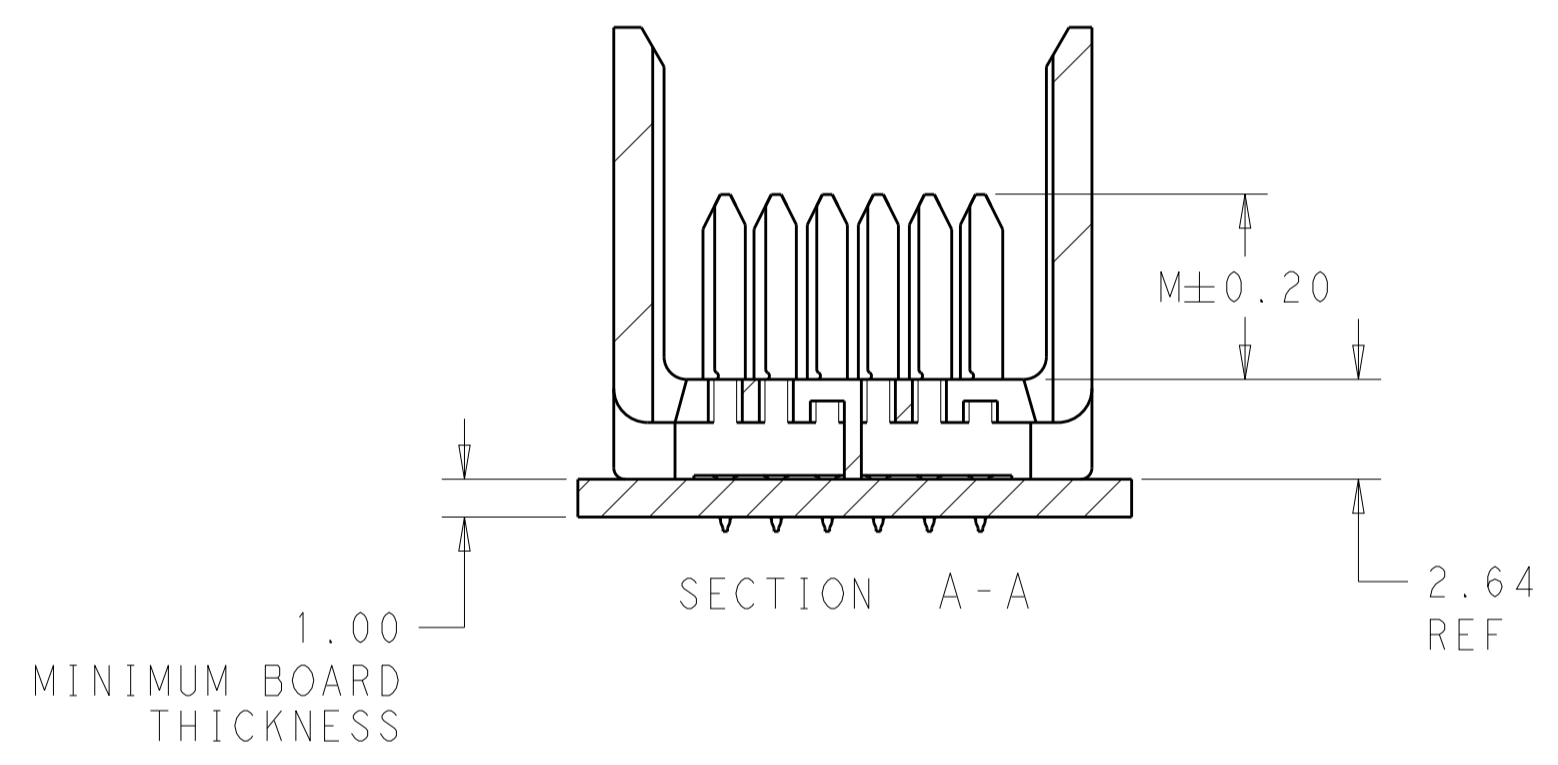
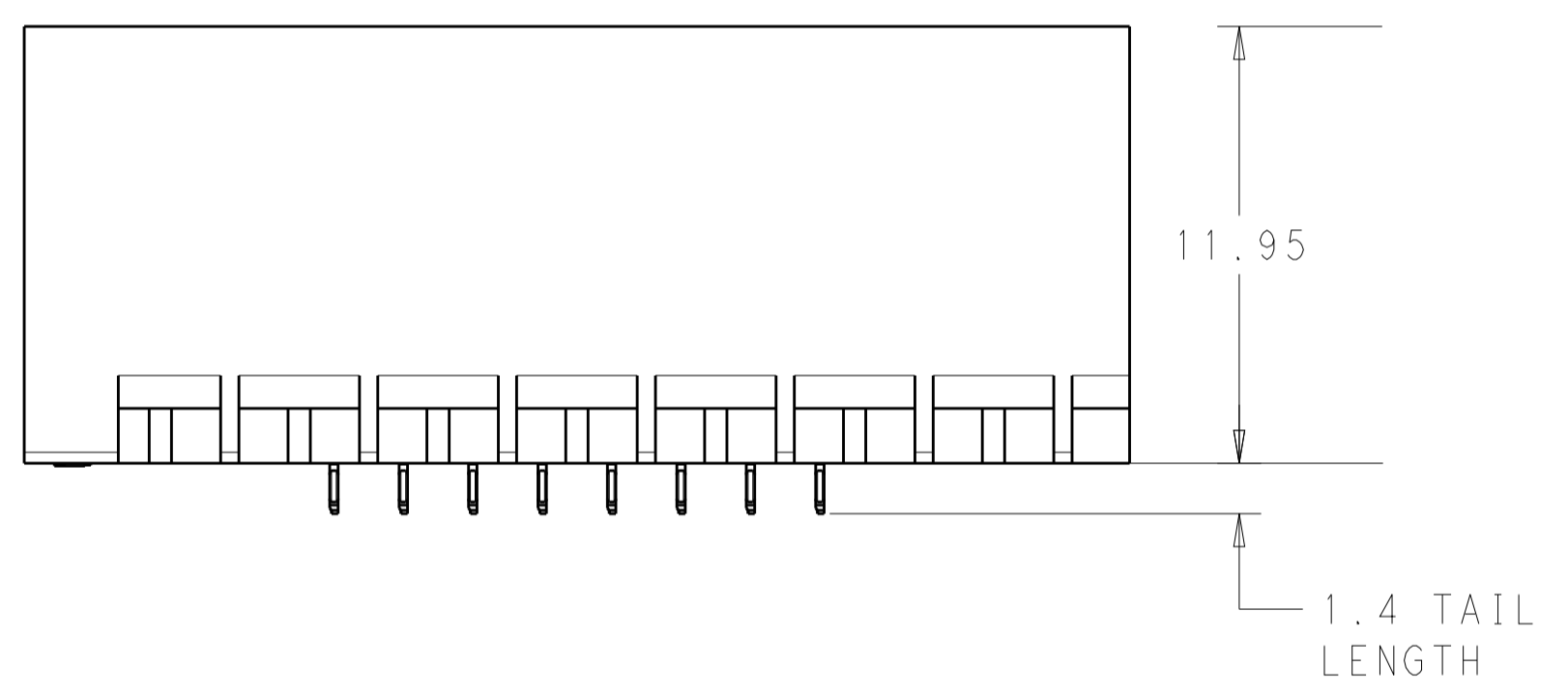
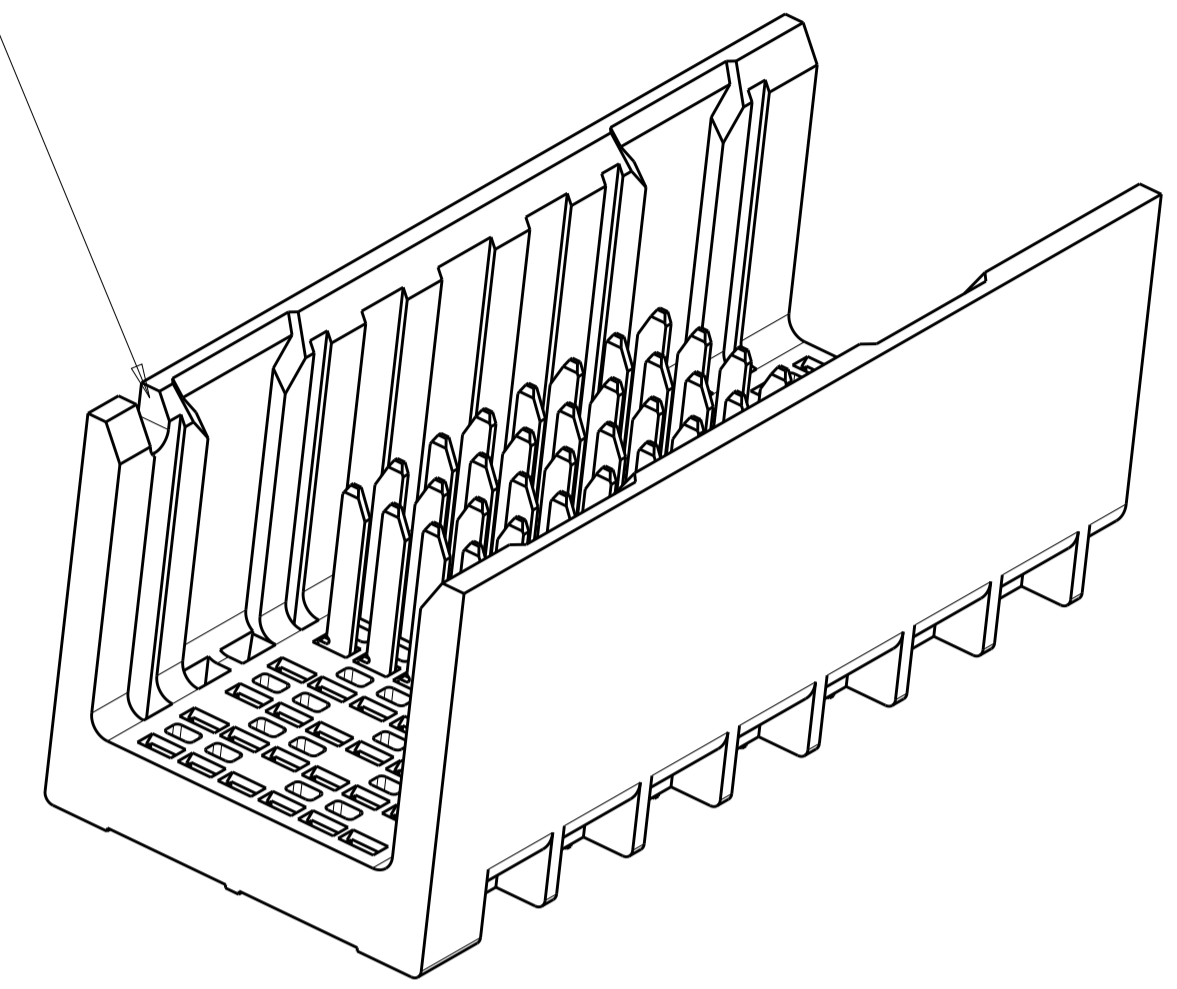


LOC		DIST		REVISIONS			
AD	00	P	LTH	DESCRIPTION	DATE	DWN	APVD
		A1		REVISED PER ECO-15-004792	31MAR2015	AP	DD



NOTCH DESIGNATES ROW A



THIS DRAWING IS A CONTROLLED DOCUMENT.		DWN AJITH PAI 16MAY2014	TE Connectivity
DIMENSIONS: mm		CHK D. DIXON 16MAY2014	
TOLERANCES UNLESS OTHERWISE SPECIFIED:		APVD D. DIXON 16MAY2014	NAME IMPACT 85 OHM, STANDARD, 2 PAIR PLUS, 16 COLUMN HEADER, UNGUIDED, OPEN ENDWALL, SIGNAL MODULE
0 PLC ± 1 PLC ±0.25 2 PLC ±0.13 3 PLC ± 4 PLC ± ANGLES ±		PRODUCT SPEC	SIZE A1
MATERIAL SEE TABLE		APPLICATION SPEC	CAGE CODE DRAWING NO A100779C=2227081
FINISH SEE TABLE		RESTRICTED TO	Customer Drawing
SCALE 5:1		WEIGHT	SHEET 1 OF 2
REV A1			


THIS DRAWING IS UNPUBLISHED. RELEASED FOR PUBLICATION 20
 © COPYRIGHT 20 BY - ALL RIGHTS RESERVED.

LOC	DIST	REVISIONS					
		P	LTN	DESCRIPTION	DATE	DWN	APVD
AD	00	-	-	SEE SHEET 1	-	-	-

- 1 MATERIAL:
HOUSING: LCP, GLASS FILLED, UL94V-0.
TERMINALS: HIGH PERFORMANCE COPPER ALLOY.
- 2 FINISH:
30μ" MIN GOLD IN CONTACT AREA. SELECTIVE TIN
ON PCB TAILS, NICKEL OVERALL.
- 3. SCREWS PACKAGED IN END OF PACKAGING TUBE.
- 4 FOR GROUNDED GUIDE PIN USE Ø3.56±0.08 PTH,
Ø3.66 DRILL, AND Ø6.5 PAD.
- 5. KEYING PIN SHOWN IN POSITION A, SEE KEYING CHART
ON SHEET 2 FOR OTHER POSITIONS.

0.55	0.46	5.5	2227081-6
0.55	0.46	4.9	2227081-5
0.55	0.46	4.5	2227081-4
0.48	0.39	5.5	2227081-3
0.48	0.39	4.9	2227081-2
0.48	0.39	4.5	2227081-1
D DRILL HOLE SIZE	P PLATED THROUGH HOLE SIZE	M POST LENGTH	PART NUMBER

REFER TO WWW.TE.COM
FOR PRODUCT AVAILABILITY

THIS DRAWING IS A CONTROLLED DOCUMENT.		DWN AJITH PAI 16MAY2014	 TE Connectivity	
		CHK D. DIXON 16MAY2014		
DIMENSIONS:		APVD D. DIXON 16MAY2014	NAME IMPACT, 85 OHM, STANDARD, 2 PAIR PLUS, 16 COLUMN HEADER, UNGUIDED, OPEN ENDWALL, SIGNAL MODULE	
mm	TOLERANCES UNLESS OTHERWISE SPECIFIED:	PRODUCT SPEC	SIZE	
	0 PLC ±	APPLICATION SPEC	CAGE CODE	
	1 PLC ±0.25	WEIGHT	DRAWING NO	
	2 PLC ±0.13	Customer Drawing	A100779C=2227081	
	3 PLC ±	SCALE	5:1	
	4 PLC ±	SHEET	2 OF 2	
	ANGLES ±	REV	A1	
	FINISH SEE TABLE			