

4

3

2

1

THIS DRAWING IS UNPUBLISHED.

RELEASED FOR PUBLICATION

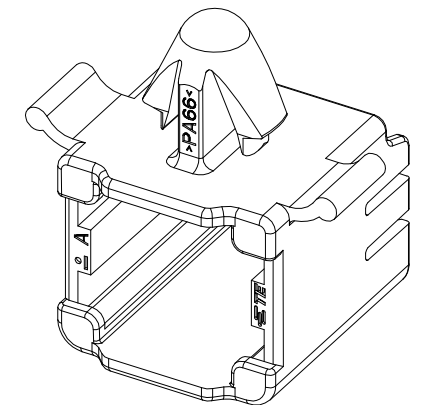
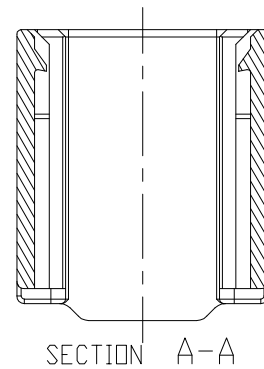
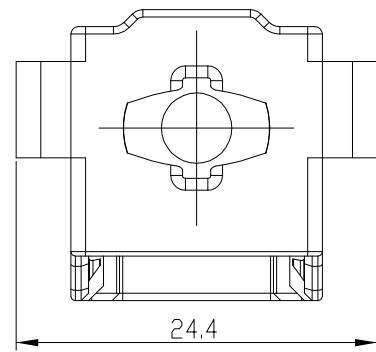
20

© COPYRIGHT 20 BY -

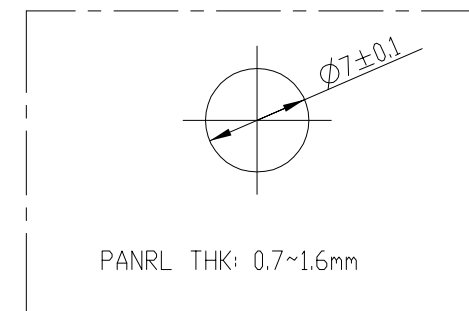
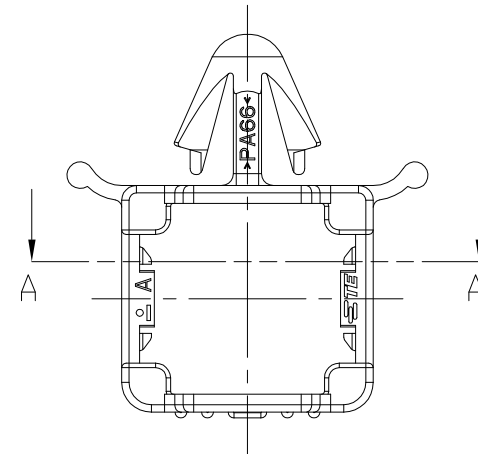
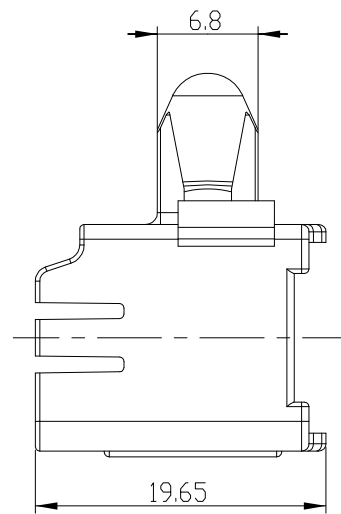
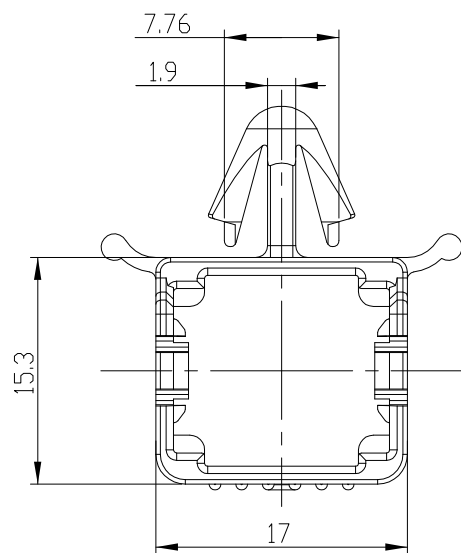
ALL RIGHTS RESERVED.

REVISIONS

P	LTR	DESCRIPTION	DATE	DWN	APVD
	A	RELEASED	13.AUG'15	SH	HG
	A1	REVISED<ECR-15-015611>	26.OCT'15	SH	HG



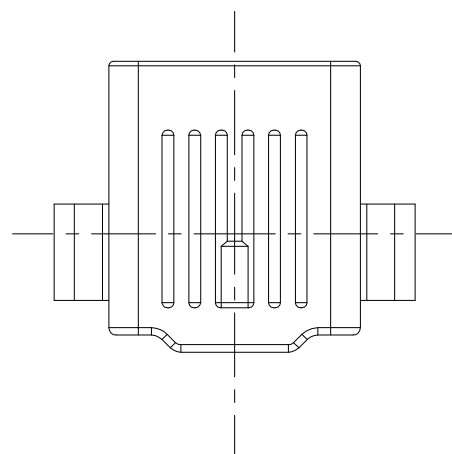
3D VIEW



NOTE

- 1. GENERAL TOLERANCE:  $\pm 0.3$ ,  $\pm 3^\circ$
- 2. MATING CONNECTOR P/N: 2219340

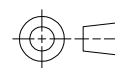
(A1)	RED	PA66	CLIP FOR 250 1P CAP	2219589-6
	BLACK	PA66	CLIP FOR 250 1P CAP	2219589-2
	COLOR	MATERIAL	DESCRIPTION	P/N



THIS DRAWING IS A CONTROLLED DOCUMENT.

DIMENSIONS:  
mm

TOLERANCES UNLESS OTHERWISE SPECIFIED



0 PLC	$\pm 0.1$
1 PLC	$\pm 0.1$
2 PLC	$\pm 0.1$
3 PLC	$\pm 0.1$
4 PLC	$\pm 0.1$
ANGLES	$\pm 0.5$
FINISH	-

MATERIAL

-

FINISH

-

DWN

SH JANG

CHK

KT LIM

APVD

HG CHO

PRODUCT SPEC

APPLICATION SPEC

WEIGHT

-

CUSTOMER DRAWING

NAME



TE Connectivity

CLIP FOR 250 1P CAP

SIZE

CAGE CODE

DRAWING NO

RESTRICTED TO

A3

00779

C-2219589

SCALE 2:1

SHEET 1 OF 1

REV A1