

4

3

2

1

THIS DRAWING IS UNPUBLISHED.

RELEASED FOR PUBLICATION

20

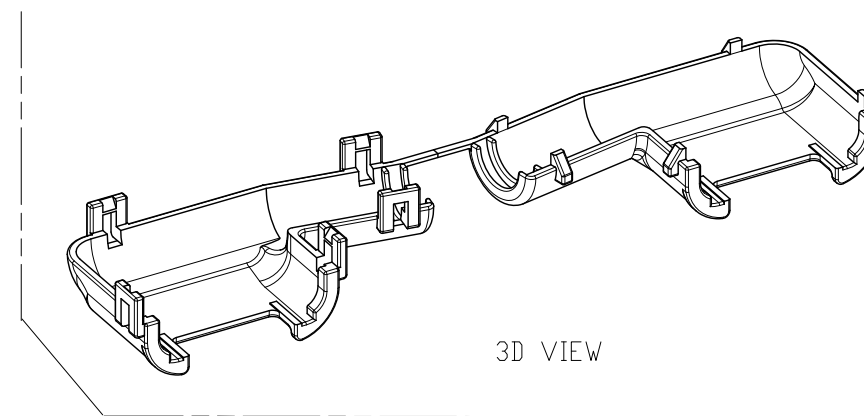
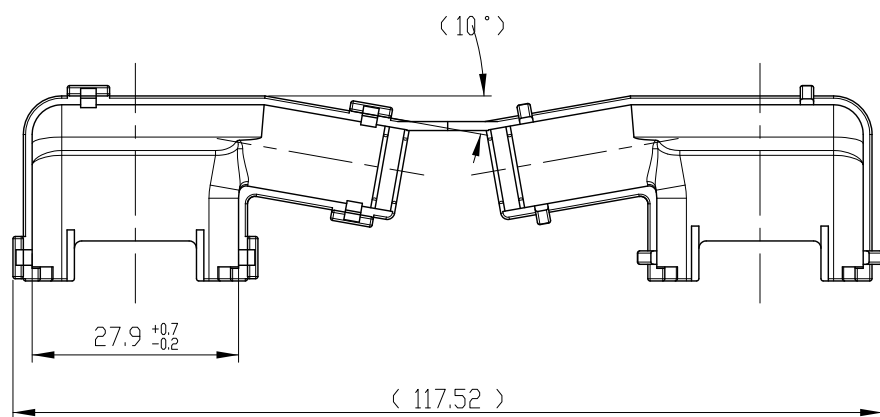
© COPYRIGHT 20

BY -

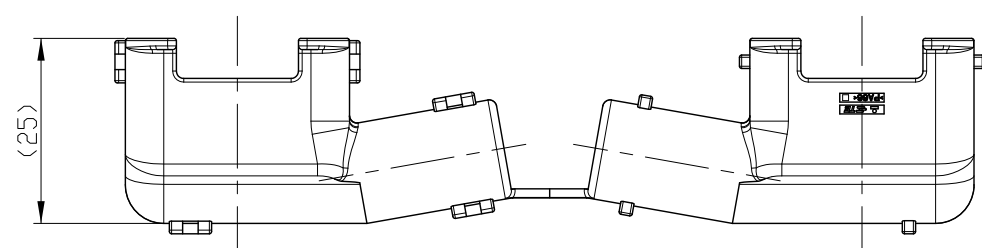
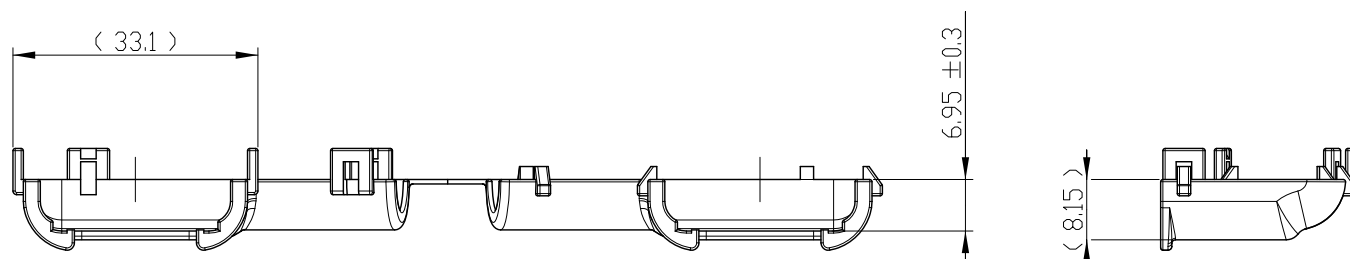
ALL RIGHTS RESERVED.

REVISIONS

P	LTR	DESCRIPTION	DATE	DWN	APVD
	A	RELEASED	15.JUN'15	J.Y.	HG



3D VIEW



NOTES:

- 1. GENERAL TOLERANCE : ±0.3
- 2. APPLICABLE CONNECTOR : 5-1419168-8
- 3. APPLICABLE CORRUGATOR DIAMETER : Ø7.0
- 4. APPLICATION TEST SPEC : MS210-06C (EXCEPT 4.4)

2219458-2	COVER HSG	PA66-03 TYPE A-1	BLACK
PART NO.	DESCRIPTION	MATERIAL	COLOR

THIS DRAWING IS A CONTROLLED DOCUMENT.		DWN J.Y. BAE	TE Connectivity															
DIMENSIONS: MM		CHK KT LIM																
TOLERANCES UNLESS OTHERWISE SPECIFIED		APVD HG CHD	NAME COVER HOUSING FOR GET 16P PLUG ASS'Y															
<table border="1"> <tr><td>0 PLC</td><td>±</td></tr> <tr><td>1 PLC</td><td>±</td></tr> <tr><td>2 PLC</td><td>±</td></tr> <tr><td>3 PLC</td><td>±</td></tr> <tr><td>4 PLC</td><td>±</td></tr> <tr><td>ANGLES</td><td>±</td></tr> <tr><td>FINISH</td><td>±</td></tr> </table>		0 PLC	±	1 PLC	±	2 PLC	±	3 PLC	±	4 PLC	±	ANGLES	±	FINISH	±	PRODUCT SPEC	SIZE A3	
0 PLC	±																	
1 PLC	±																	
2 PLC	±																	
3 PLC	±																	
4 PLC	±																	
ANGLES	±																	
FINISH	±																	
MATERIAL		APPLICATION SPEC	CAGE CODE 00779	DRAWING NO C-2219458														
		WEIGHT	RESTRICTED TO -															
		CUSTOMER DRAWING	SCALE 1:1	SHEET 1 OF 1 REV A														