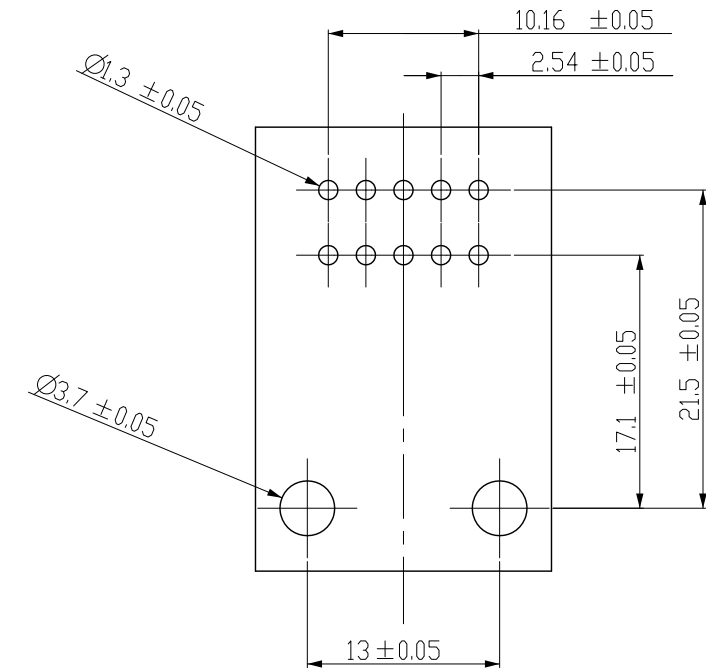
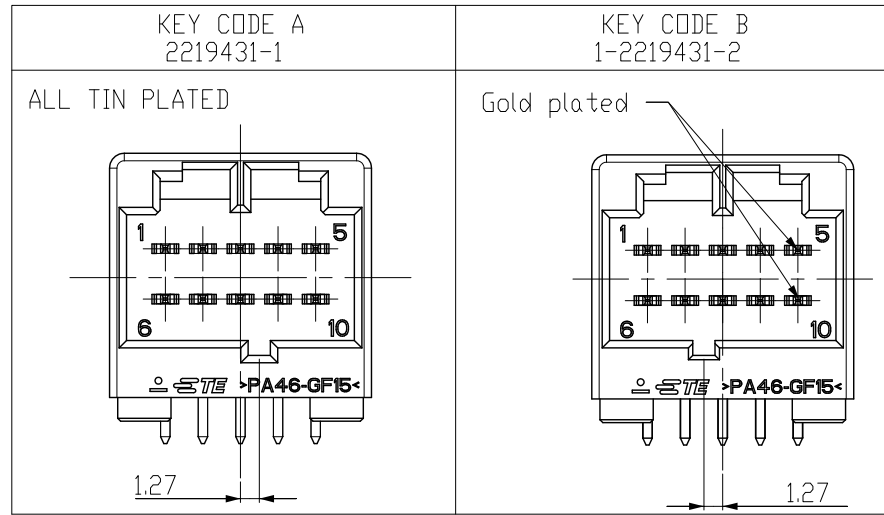
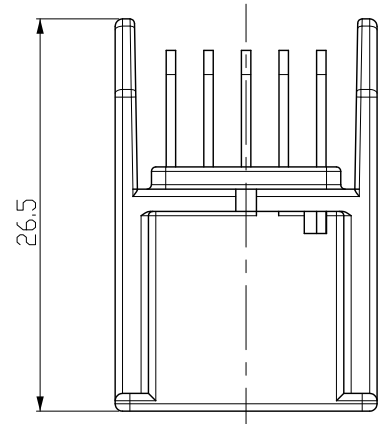
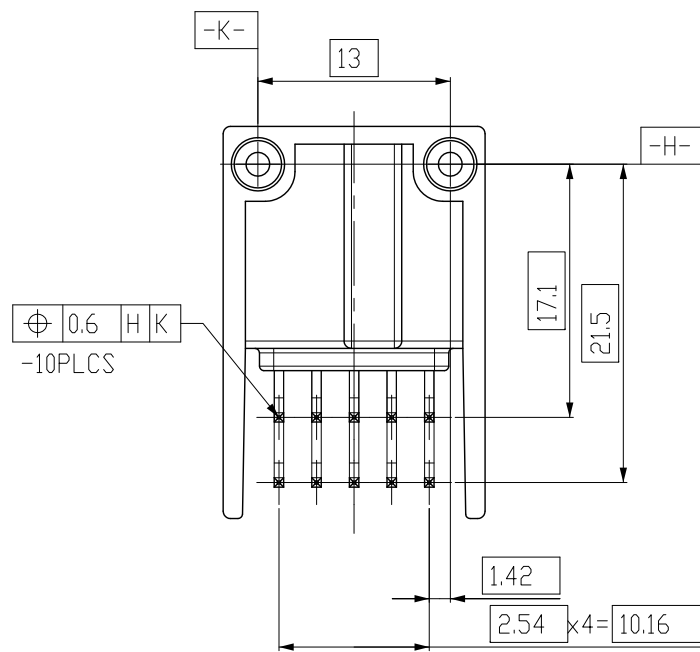
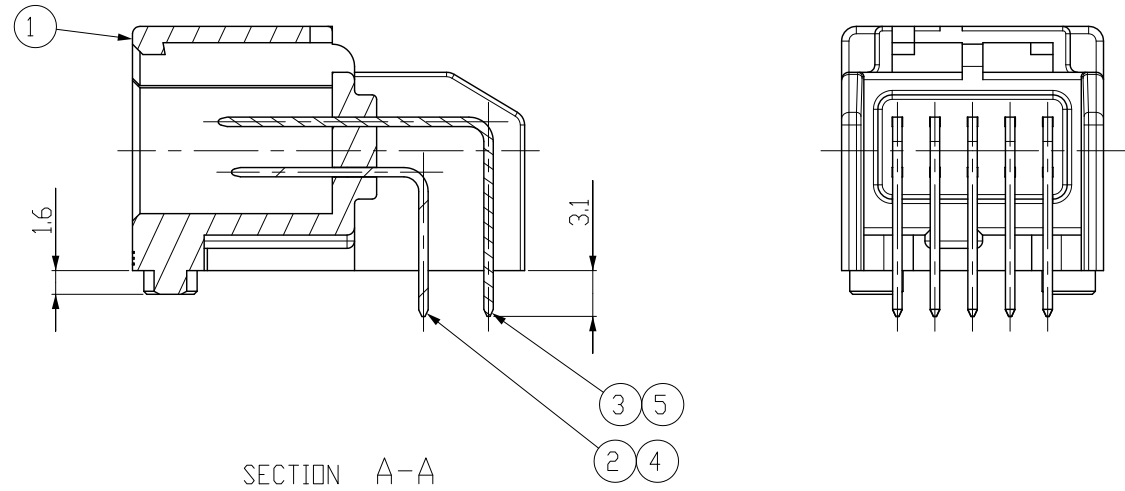
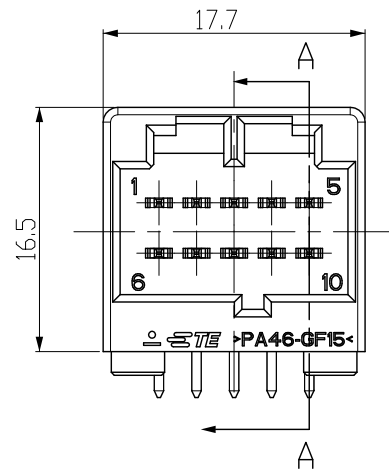


REVISIONS

P	LTR	DESCRIPTION	DATE	DWN	APVD
A		RELEASED	27AUG'15	DG	HG



PCB LAYOUT
Applicable thickness : 1.6~1.8mm



- NOTES
1. GENERAL TOLERANCE : ± 0.3 , $\pm 1^\circ$
 2. NO CRACK PERMISSIBLE
 3. Tab retention force : Min. 15Newton
 4. Applicable screw : M2 x 3.5
 5. Screw fasteing torque : Max. 0.35 N m.
 6. APPLICABLE COUNTER PART (PLUG) P/N : 2219422

NO.	COLOR	MATERIAL	DESCRIPTION	QT'Y	1-2219431-2	2219431-1	ASS'Y P/N
5	SELECTIVE GOLD	COPPER ALLOY	.025 TAB TERMINAL(M)	1	-		
4	SELECTIVE GOLD	COPPER ALLOY	.025 TAB TERMINAL(S)	1	-		
3	BRIGHT TIN	COPPER ALLOY	.025 TAB TERMINAL(M)	4	5		
2	BRIGHT TIN	COPPER ALLOY	.025 TAB TERMINAL(S)	4	5		
1	BLACK	PA46-GF15	.025 10P HEADER HSG code B	1	-		
	WHITE	PA46-GF15	.025 10P HEADER HSG code A	-	1		

THIS DRAWING IS A CONTROLLED DOCUMENT.

DWN DG JEONG	TE Connectivity .025 10P HEADER ASS'Y			
CHK KT LIM				
APVD HG CHO				
PRODUCT SPEC -				
APPLICATION SPEC -	NAME			
WEIGHT -	SIZE A3	CAGE CODE 00779	DRAWING NO C-2219431	RESTRICTED TO -
CUSTOMER DRAWING		SCALE 2:1	SHEET 1 OF 1	REV A