

4

3

2

1

THIS DRAWING IS UNPUBLISHED.

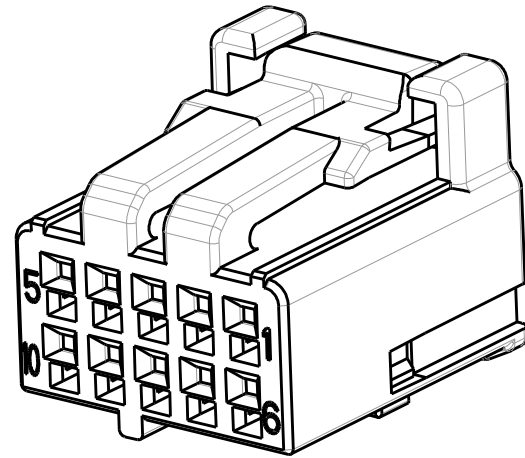
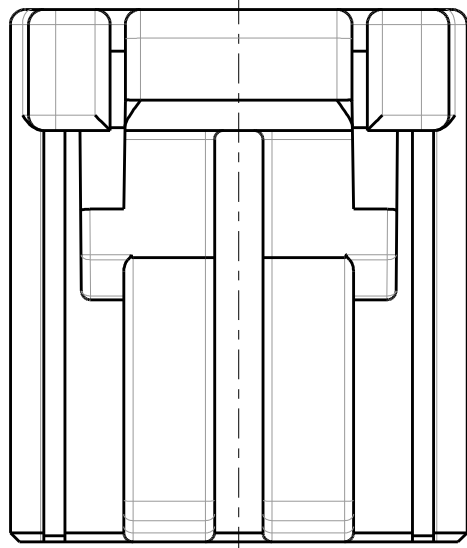
RELEASED FOR PUBLICATION

20

© COPYRIGHT 20 BY -

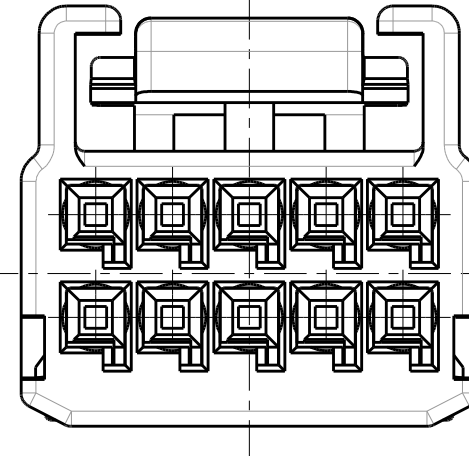
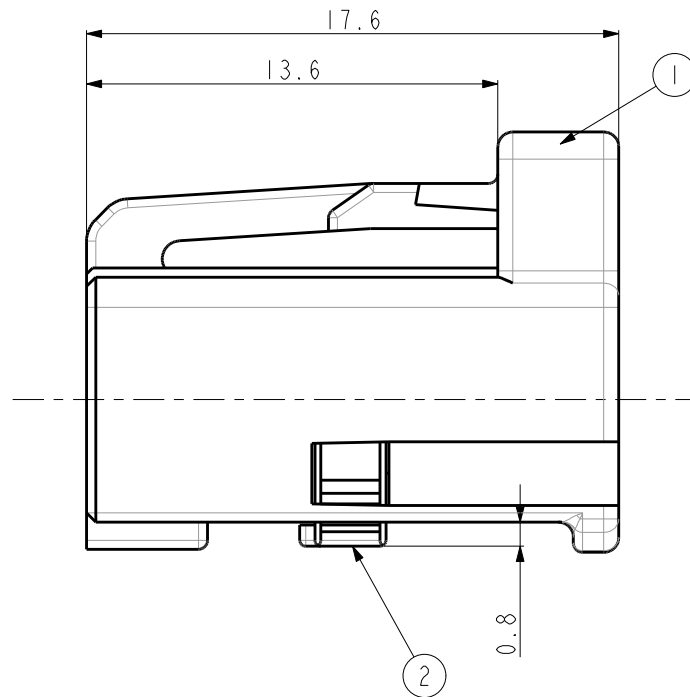
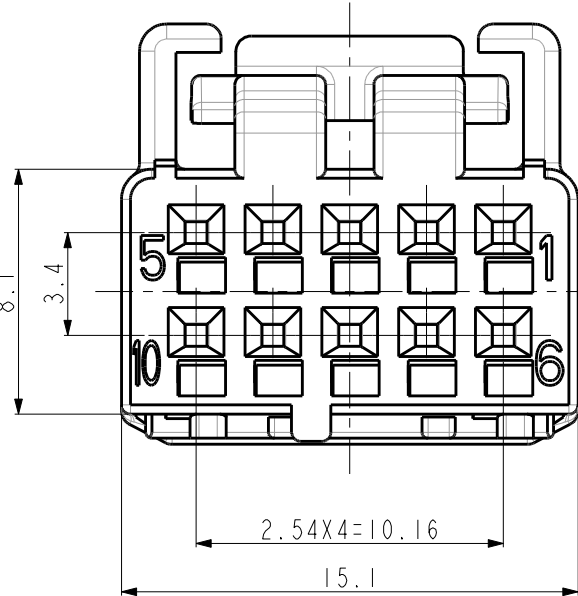
ALL RIGHTS RESERVED.

LOC	DIST	REVISIONS		
		P	LTR	DESCRIPTION
-	-	A	RELEASED	DATE: 21 JUL '15 DWN: DG APVD: HG



< ISO VIEW >

Key Code	Part Number	Pin Pitch
Key Code A	2219422-1	1.27
Key Code B	1-2219422-2	1.27
Key Code C	2-2219422-1	3.81
Key Code D	3-2219422-2	3.81



NOTE

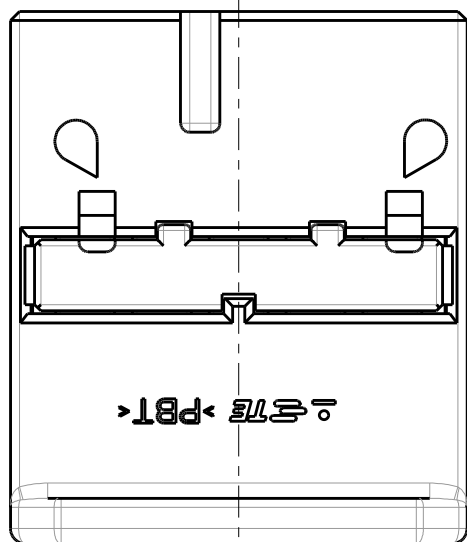
- GENERAL TOLERANCE:  $\pm 0.3$ ,  $\pm 3^\circ$
- APPLICABLE COUNTER PART (HEADER) P/N : 2219431 / 2219433 / 2219436
- APPLICABLE FEMALE TERMINAL : SEE TABLE I

TABLE I

P/N	SO	3-2219422-2	2-2219422-1	1-2219422-2	2219422-1	ASS'Y P/N
928999	0.2-0.5					
963715	0.5-0.75					

NO.	COLOR	MATERIAL	DESCRIPTION	QT'Y
2	GRAY	PBT	.025 10P PLUG DBL HSG	
1	BLACK	PBT	.025 10P PLUG HSG CODE D	- - -
	WHITE	PBT	.025 10P PLUG HSG CODE C	-   - -
	BLACK	PBT	.025 10P PLUG HSG CODE B	- -   -
	WHITE	PBT	.025 10P PLUG HSG CODE A	- - -



THIS DRAWING IS A CONTROLLED DOCUMENT.

DWN: DG JEONG  
CHK: KT LIM  
APVD: HG CHO  
PRODUCT SPEC: -  
APPLICATION SPEC: -  
WEIGHT: -

**TE** TE Connectivity

NAME: .025(MQS) 10P PLUG ASS'Y

SIZE: A3 CAGE CODE: 00779 DRAWING NO: C-2219422 RESTRICTED TO: -

CUSTOMER DRAWING SCALE: 4:1 SHEET: 1 OF 1 REV: A

DIMENSIONS:	TOLERANCES UNLESS OTHERWISE SPECIFIED:
mm	0 PLC $\pm$
	1 PLC $\pm$
	2 PLC $\pm$
	3 PLC $\pm$
	4 PLC $\pm$
	ANGLES $\pm$
MATERIAL: SEE TABLE	FINISH: -