

4

3

2

1

THIS DRAWING IS UNPUBLISHED.

RELEASED FOR PUBLICATION

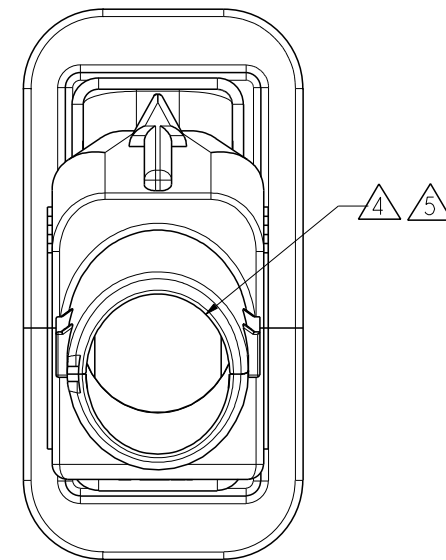
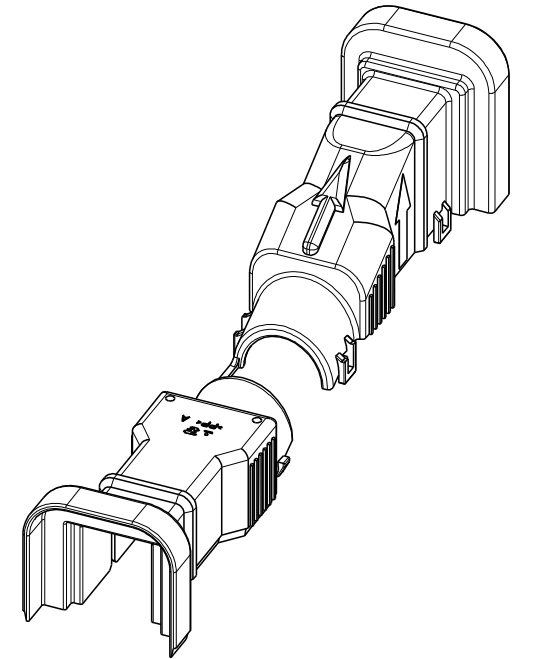
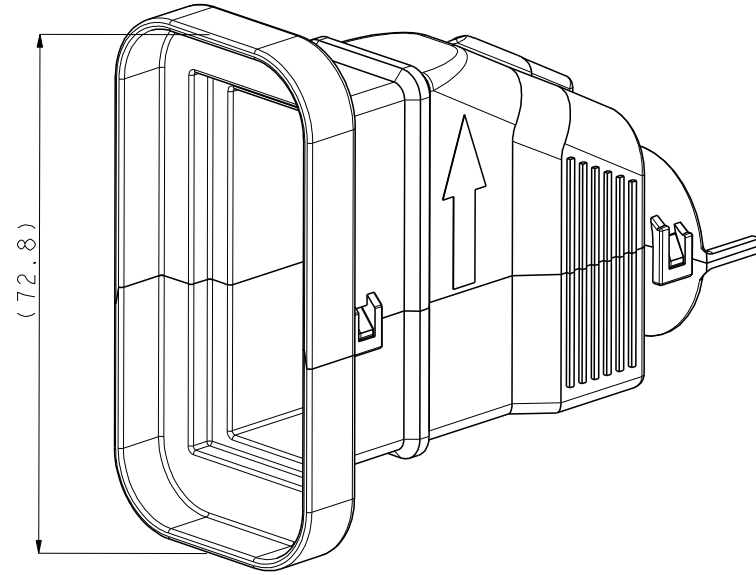
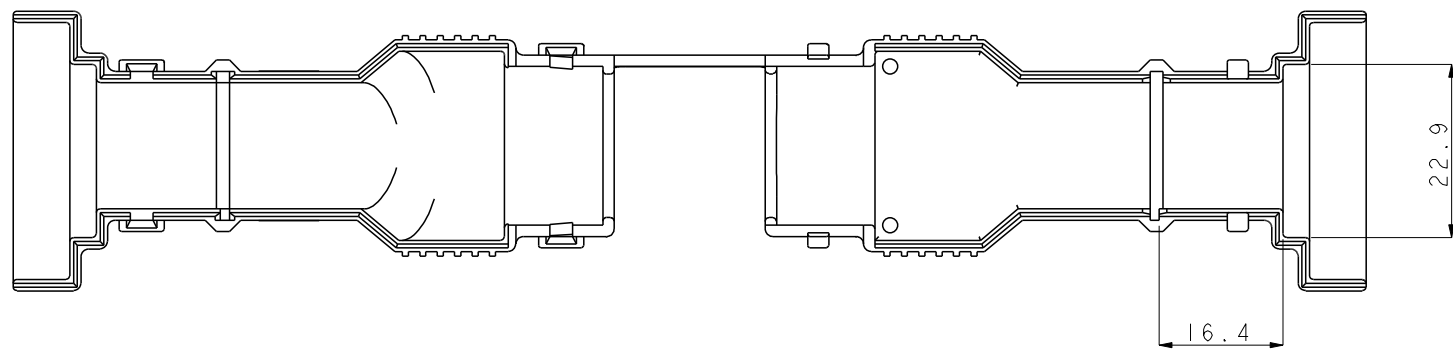
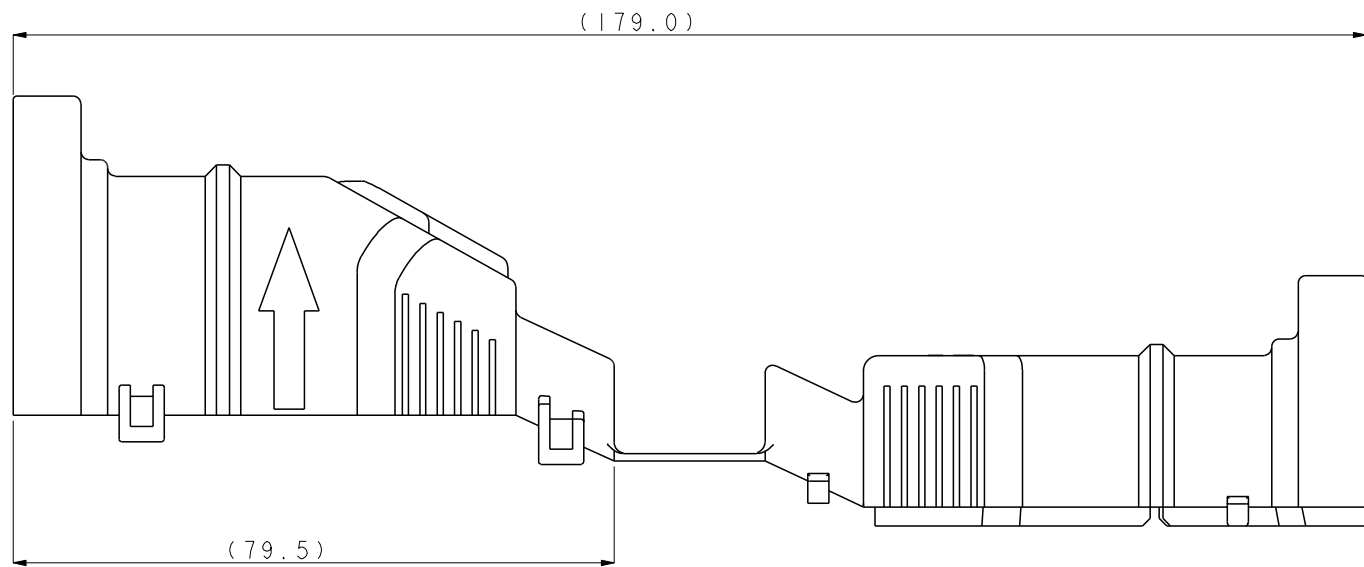
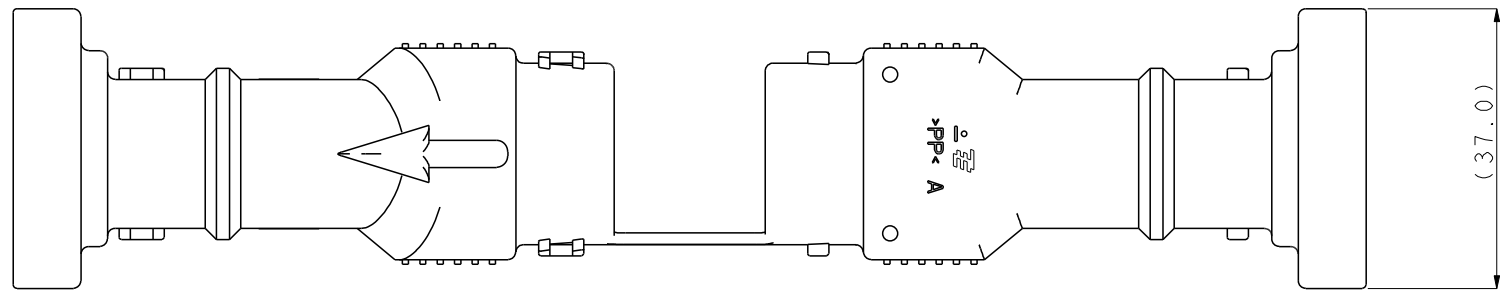
20

© COPYRIGHT 20 BY -

ALL RIGHTS RESERVED.

REVISIONS

P	LTR	DESCRIPTION	DATE	DWN	APVD
	A	RELEASE	06. JAN '15	SM	HG



- NOTE :
1. GENERAL TOLERANCE : ± 0.3 , $\pm 3.0^\circ$
 2. APPLIED CONNECTOR ASS'Y : 2219228
 3. WALL THICKNESS : 1.5 mm REF.
 4. CORRUGATE TUBE : NOT APPLICABLE
 5. WIRE HOLE SIZE : $\varnothing 19.0$ REF.
 6. APPLICATION TEST SPEC -MS210-12 [EXT-2] (EXCEPT 4.4)

2219230-3	COVER	PP	GRAY
PART NO.	DESCRIPTION	MATERIAL	COLOR

THIS DRAWING IS A CONTROLLED DOCUMENT.		DWN SM LEE	-	
DIMENSIONS: mm		CHK KT LIM	-	
TOLERANCES UNLESS OTHERWISE SPECIFIED:		APVD HG CHO	-	
0 PLC ± 0.5		PRODUCT SPEC	-	
1 PLC ± 0.5		APPLICATION SPEC	-	
2 PLC ± 0.13		WEIGHT	-	
3 PLC ± 0.013		SIZE CAGE CODE DRAWING NO RESTRICTED TO		
4 PLC ± 0.0001		A 300779 C-2219230		
ANGLES \pm		CUSTOMER DRAWING		
MATERIAL		SCALE 1:1		SHEET 1 OF 1
FINISH		REV A		



COVER FOR HYB(040/090) DOOR 45P

D

C

B

A