

REVISIONS

P	LTR	DESCRIPTION	DATE	DWN	APVD
	A	RELEASE	06.JAN'15	SM	HG

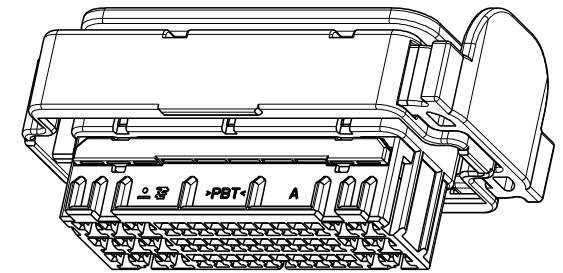
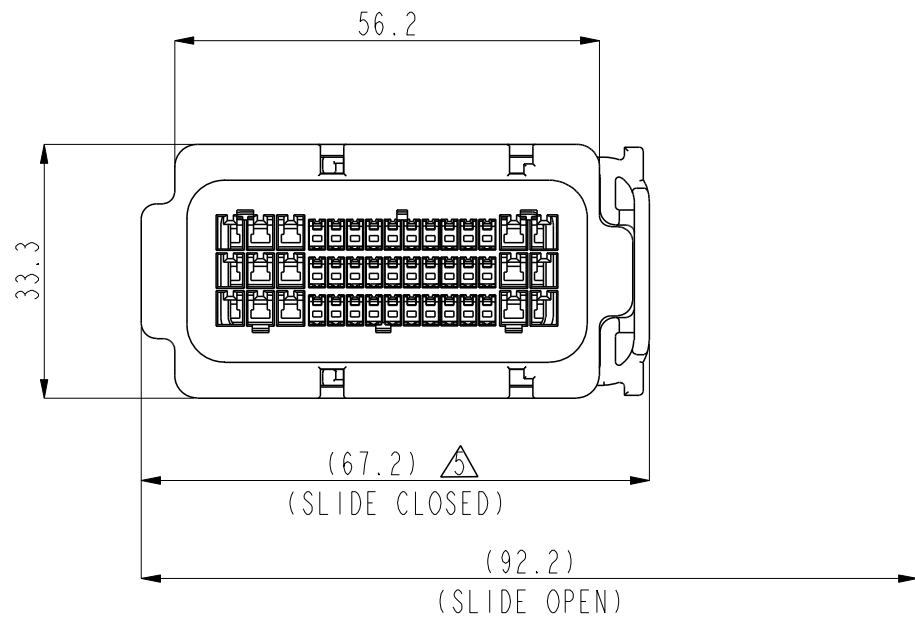
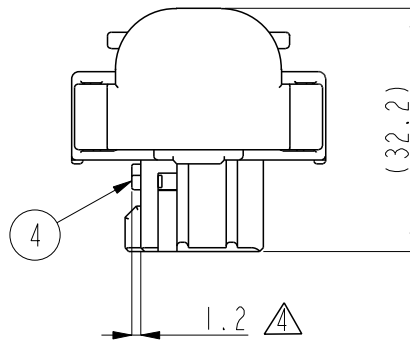
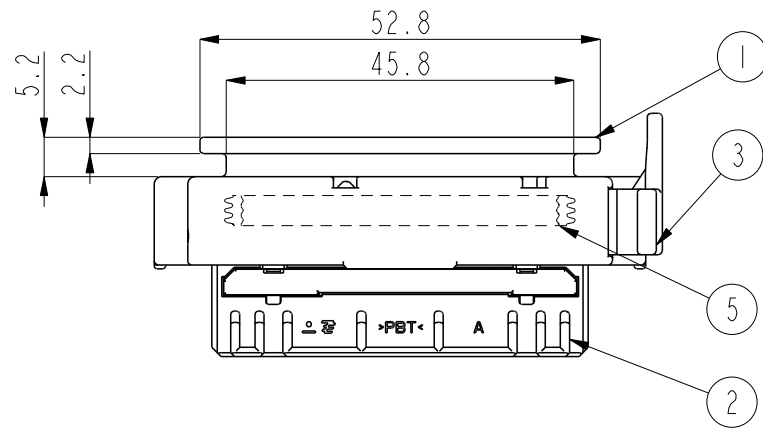
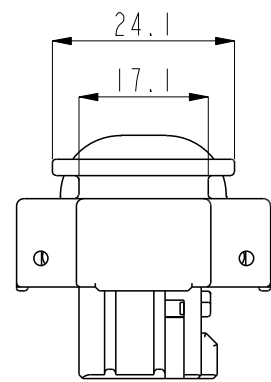


TABLE 1. APPLICABLE REC. CONTACT.

REC.	PART NO.	WIRE RANGE		WIRE TYPE
		AWG	mm <sup>2</sup>	
040	316836-1	22-18	0.3-0.85	AVSS
	1743654-1	22-20	0.3-0.5	
	1743655-1	18-16	0.75-1.25	
090	1743656-1	14	1.5-2.0	



NOTE ;

1. GENERAL TOLERANCE :  $\pm 0.3, \pm 3.0^\circ$
2. APPLICABLE REC. CONTACT : SEE TABLE 1.
3. THE MATING CAP ASS'Y P/N : 2219228
4. DBL SUPPLY CONDITION : 1<sup>ST</sup> LOCKING.
5. SLIDE LEVER SUPPLY CONDITION : CLOSED.

NO.	PART NO.	DESCRIPTION	MATERIAL	COLOR	Q'TY
5	1897491-1	INNER SEAL	SILICON	GREEN	1
4	1897490-4	PLUG DBL	PBT	BROWN	1
3	1897489-2	SLIDE	PBT-GF20	BLACK	1
2	1897488-2	REC. PLUG HSG	PBT	BLACK	1
1	1897487-2	SLIDE PLUG HSG	PBT	BLACK	1

THIS DRAWING IS A CONTROLLED DOCUMENT.

DIMENSIONS: mm	TOLERANCES UNLESS OTHERWISE SPECIFIED: 0 PLC $\pm 0.5$ 1 PLC $\pm 0.5$ 2 PLC $\pm 0.13$ 3 PLC $\pm 0.013$ 4 PLC $\pm 0.0001$ ANGLES $\pm$
MATERIAL	FINISH

DWN SM LEE	-
CHK KT LIM	-
APVD HG CHO	-
PRODUCT SPEC	
APPLICATION SPEC	
WEIGHT	



PLUG HSG ASS'Y FOR HYB(040/090) DOOR 45P

SIZE A3	CAGE CODE 00779	DRAWING NO C-2219229	RESTRICTED TO
CUSTOMER DRAWING		SCALE	SHEET OF REV A

2219229-4	ASS'Y P/N	PLUG ASS'Y	REMARK
		DESCRIPTION	