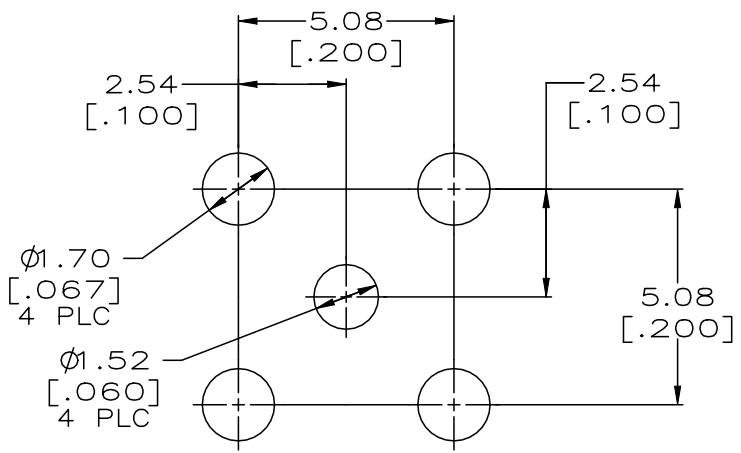
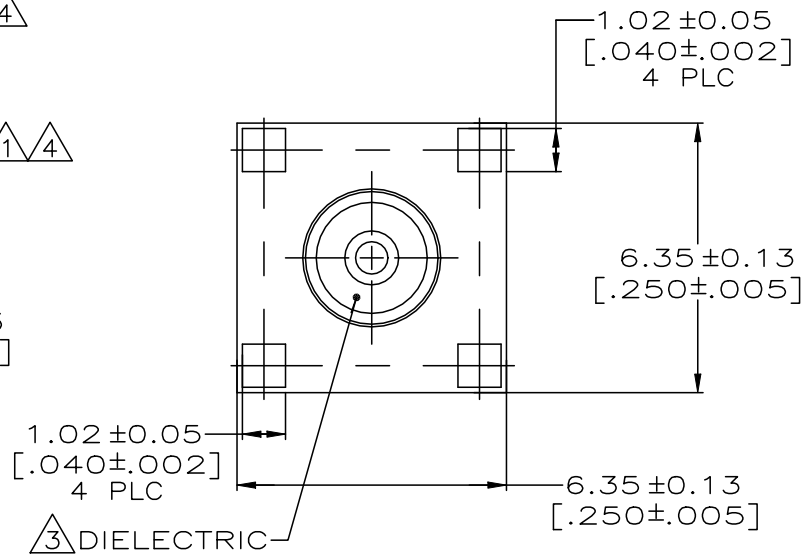
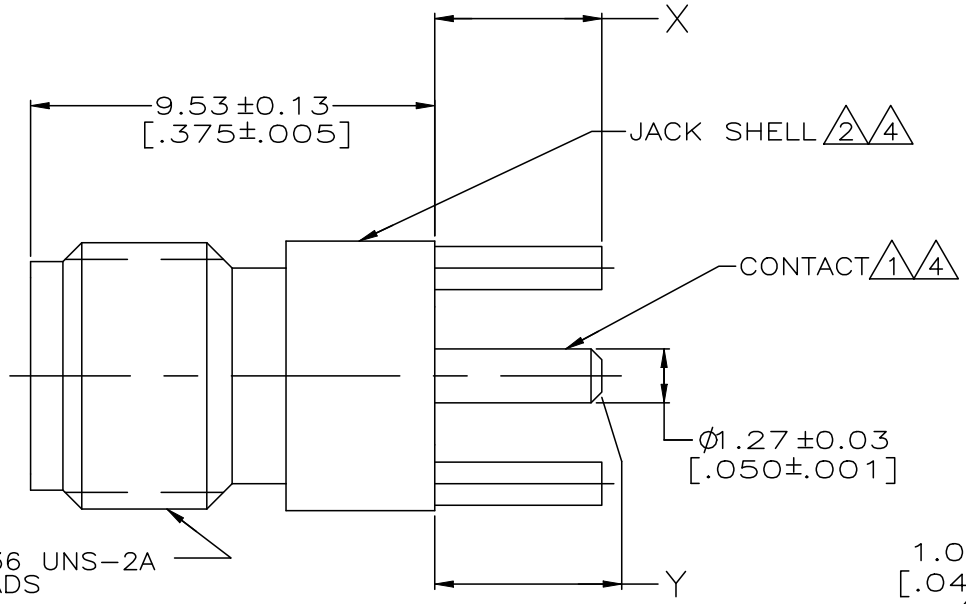


REVISIONS					
P	LTR	DESCRIPTION	DATE	DWN	APVD
G		REVISED PER ECR-20-015620	06NOV2020	ED	RS

- ① BERYLLIUM COPPER PER ASTM-B-197.
- ② BRASS PER ASTM-B-16.
- ③ PTFE, PER ASTM-D-1710.
- ④ GOLD PLATE PER MIL-G-45204.
- ⑤ PACKAGED ON TAPE & REEL PER EIA-STD481 WITH SOLDER LEGS DOWN.



RECOMMENDED PCB CONFIGURATION

OBSOLETE	2.67 ^{+0.25} / _{-0.15}	[.105 ^{+0.010} / _{-0.006}]	2.67 ± 0.13	[.105 ± .005]	221789-4
OBSOLETE	2.67 ^{+0.25} / _{-0.15}	[.105 ^{+0.010} / _{-0.006}]	2.67 ± 0.13	[.105 ± .005]	221789-3
	3.94	[.155]	3.94 ± 0.25	[.155 ± .010]	221789-1
	Y		X		PART NUMBER

THIS DRAWING IS A CONTROLLED DOCUMENT.		DWN B. MOYER 25NOV97	TE TE Connectivity		
DIMENSIONS: mm [INCHES]		CHK J. CABARLO 25NOV97			
TOLERANCES UNLESS OTHERWISE SPECIFIED:		APVD J. CABARLO 25NOV97	NAME JACK, VERTICAL, PCB, SMA SERIES		
0 PLC ± - 1 PLC ± - 2 PLC ± 0.08 [.003] 3 PLC ± - 4 PLC ± - ANGLES ± -		PRODUCT SPEC -			
MATERIAL ① ② ③	FINISH ④	APPLICATION SPEC -	SIZE A3	CAGE CODE 00779	DRAWING NO C=221789
CUSTOMER DRAWING			WEIGHT 0.000000	RESTRICTED TO -	
			SCALE 8:1	SHEET 1 OF 1	REV G