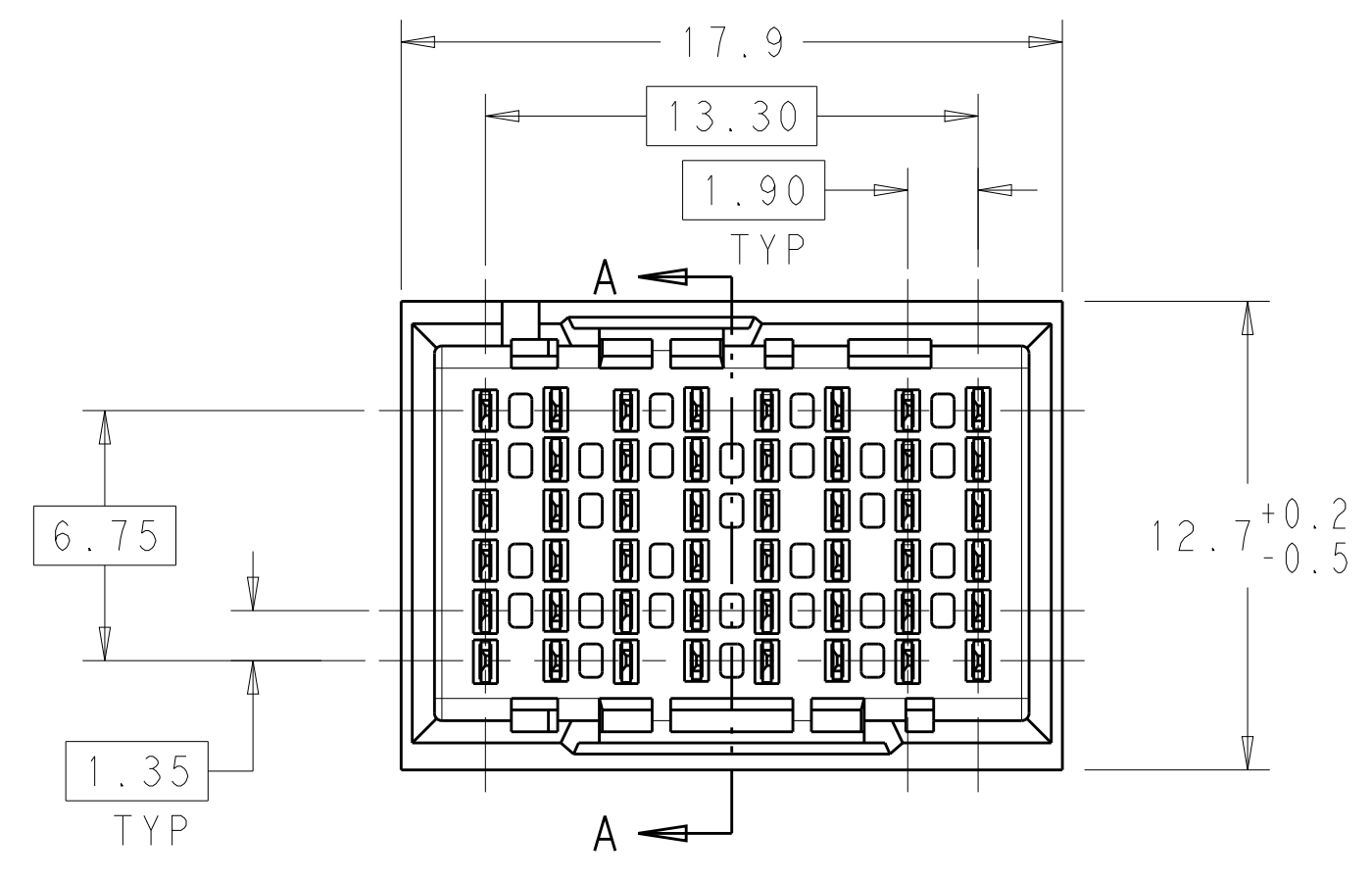
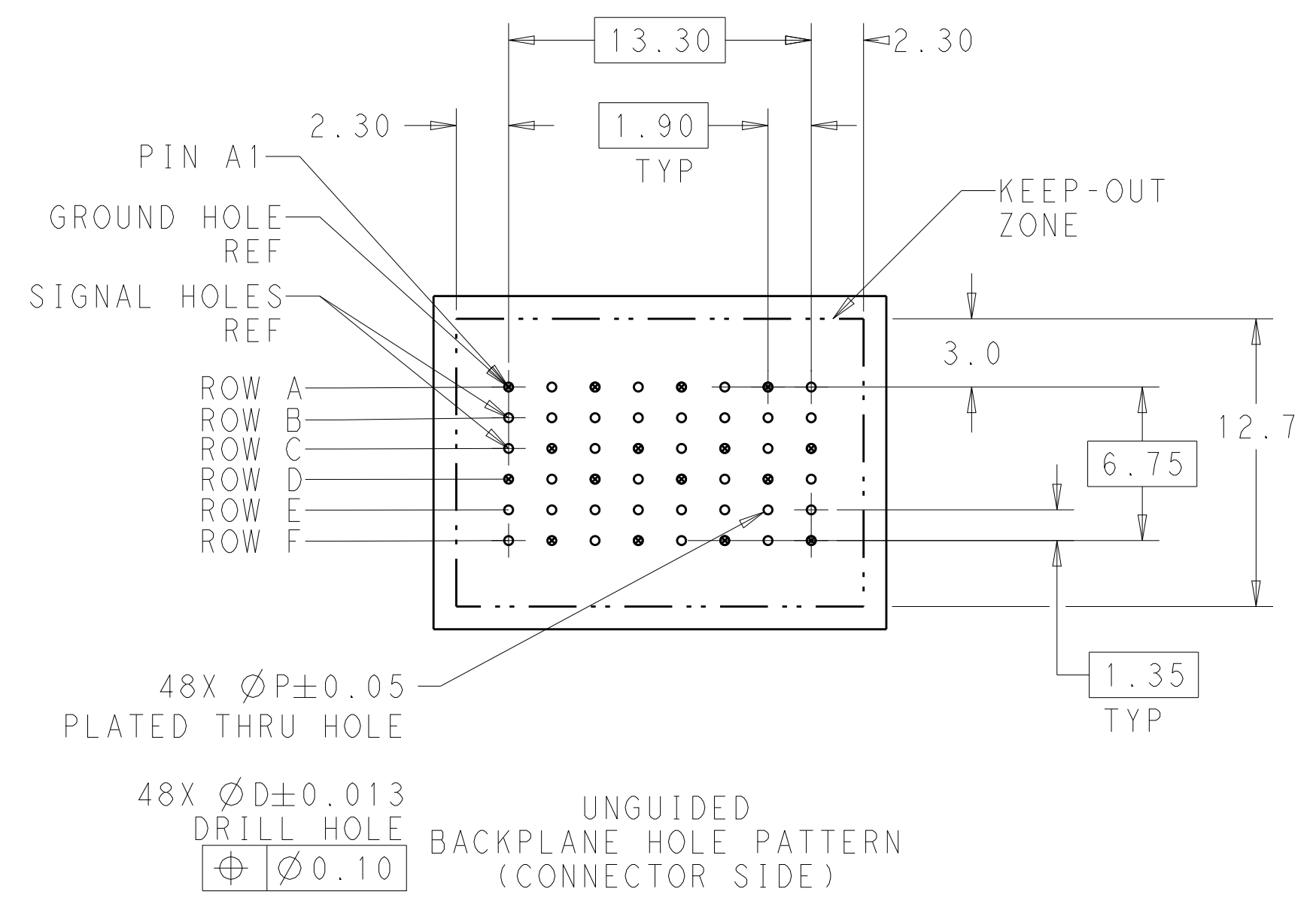
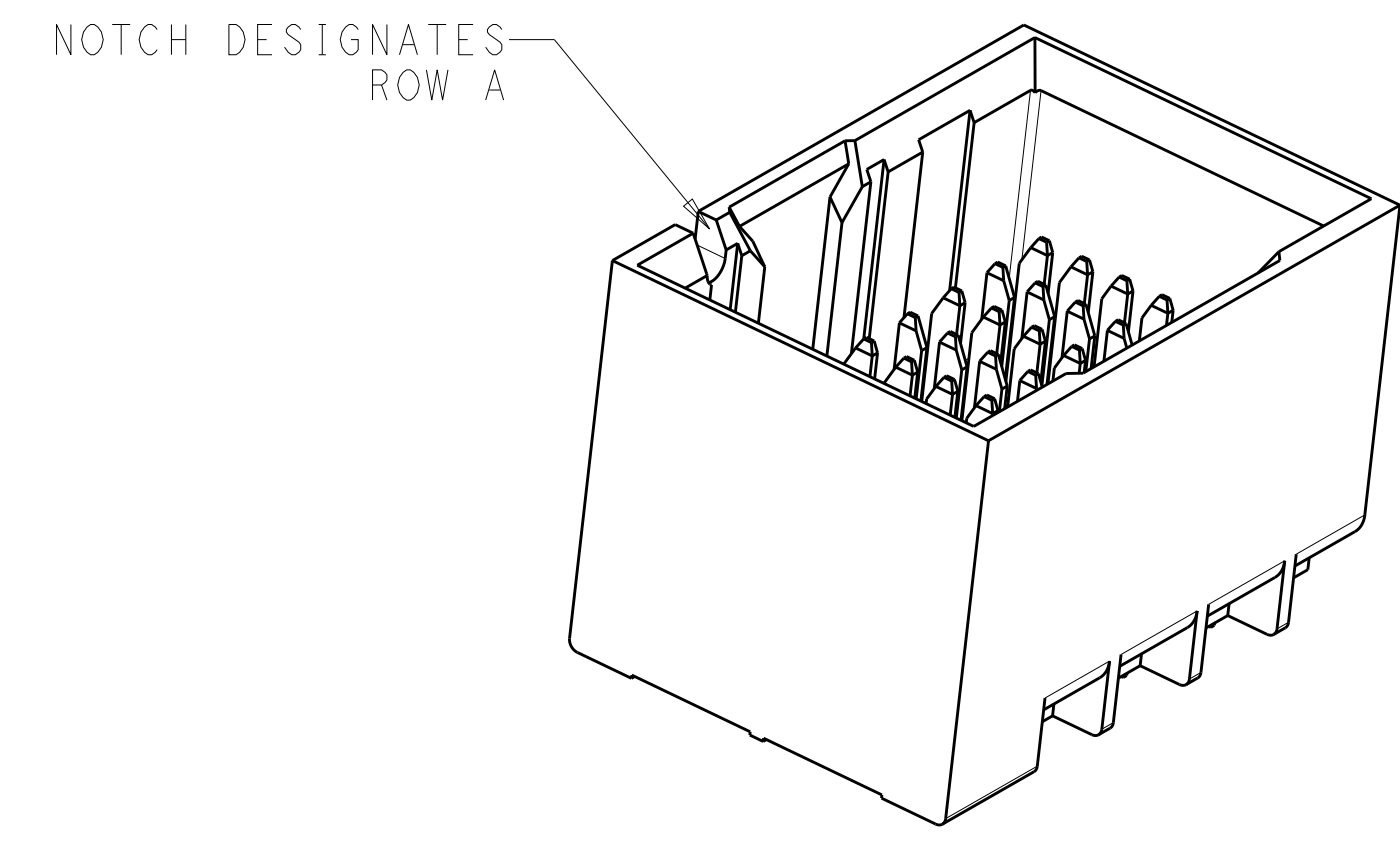
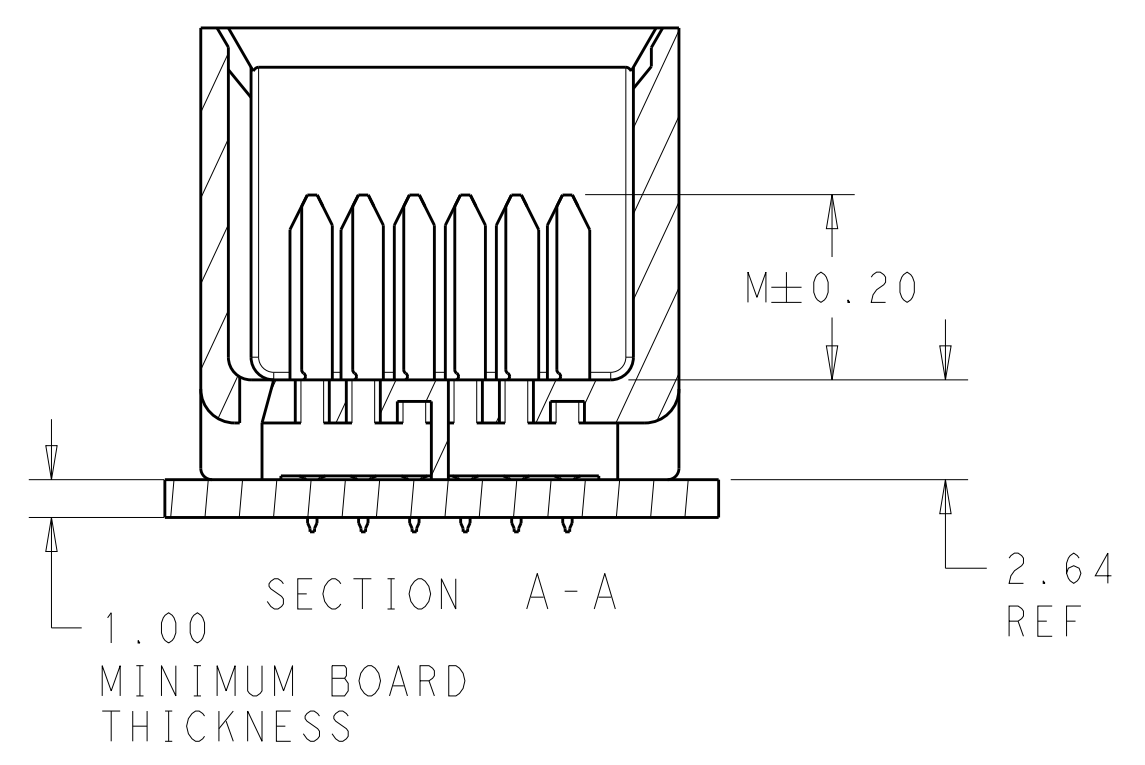
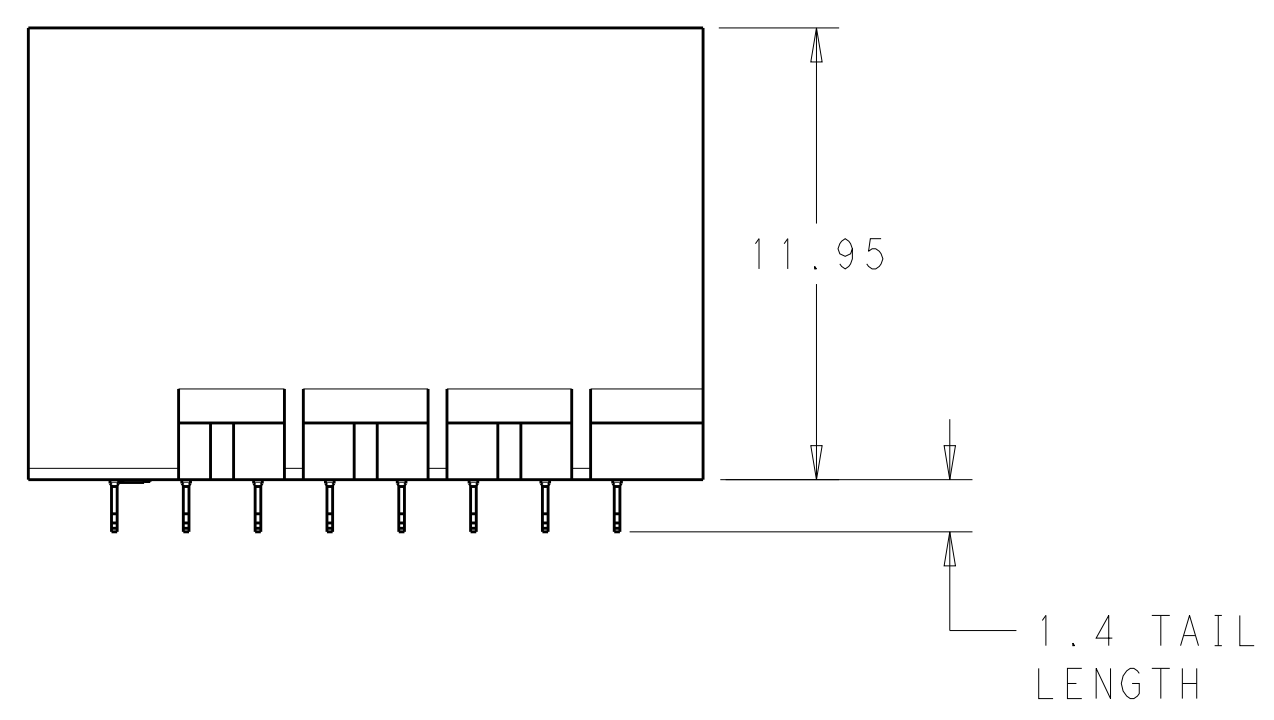


LOC	DIST	REVISIONS			
P	LTN	DESCRIPTION	DATE	DWN	APVD
A1		REVISED PER ECO-15-004792	30MAR2015	AP	DD



- △ MATERIAL:  
HOUSING: LCP, GLASS FILLED, UL94V-0.  
TERMINALS: HIGH PERFORMANCE COPPER ALLOY.
- △ FINISH:  
30μ" MIN GOLD IN CONTACT AREA. SELECTIVE TIN ON PCB TAILS, NICKEL OVERALL.
- 3. SCREWS PACKAGED IN END OF PACKAGING TUBE.
- △ FOR GROUNDED GUIDE PIN USE Ø3.56±0.08 PTH, Ø3.66 DRILL, AND Ø6.5 PAD.
- 5. KEYING PIN SHOWN IN POSITION A, SEE KEYING CHART ON SHEET 2 FOR OTHER POSITIONS.



0.55	0.46	5.5	2214498-6
0.55	0.46	4.9	2214498-5
0.55	0.46	4.5	2214498-4
0.48	0.39	5.5	2214498-3
0.48	0.39	4.9	2214498-2
0.48	0.39	4.5	2214498-1
D DRILL HOLE SIZE	P PLATED THROUGH HOLE SIZE	M POST LENGTH	PART NUMBER

REFER TO WWW.TE.COM FOR PRODUCT AVAILABILITY

THIS DRAWING IS A CONTROLLED DOCUMENT.

DIMENSIONS: mm	TOLERANCES UNLESS OTHERWISE SPECIFIED:	DWN AJITH PAI 13JUN2014	CHK D. DIXON 13JUN2014	APVD D. DIXON 13JUN2014	NAME IMPACT, 85 OHM, STANDARD, 2 PAIR PLUS, 8 COLUMN HEADER, UNGUIDED, DUAL ENDWALL, SIGNAL MODULE
0 PLC ±	1 PLC ±0.25	TE Connectivity		SIZE	RESTRICTED TO
2 PLC ±0.13	3 PLC ±	Customer Drawing		A100779C=2214498	
4 PLC ±	ANGLES	SCALE 5:1	SHEET 1 OF 1	REV A1	