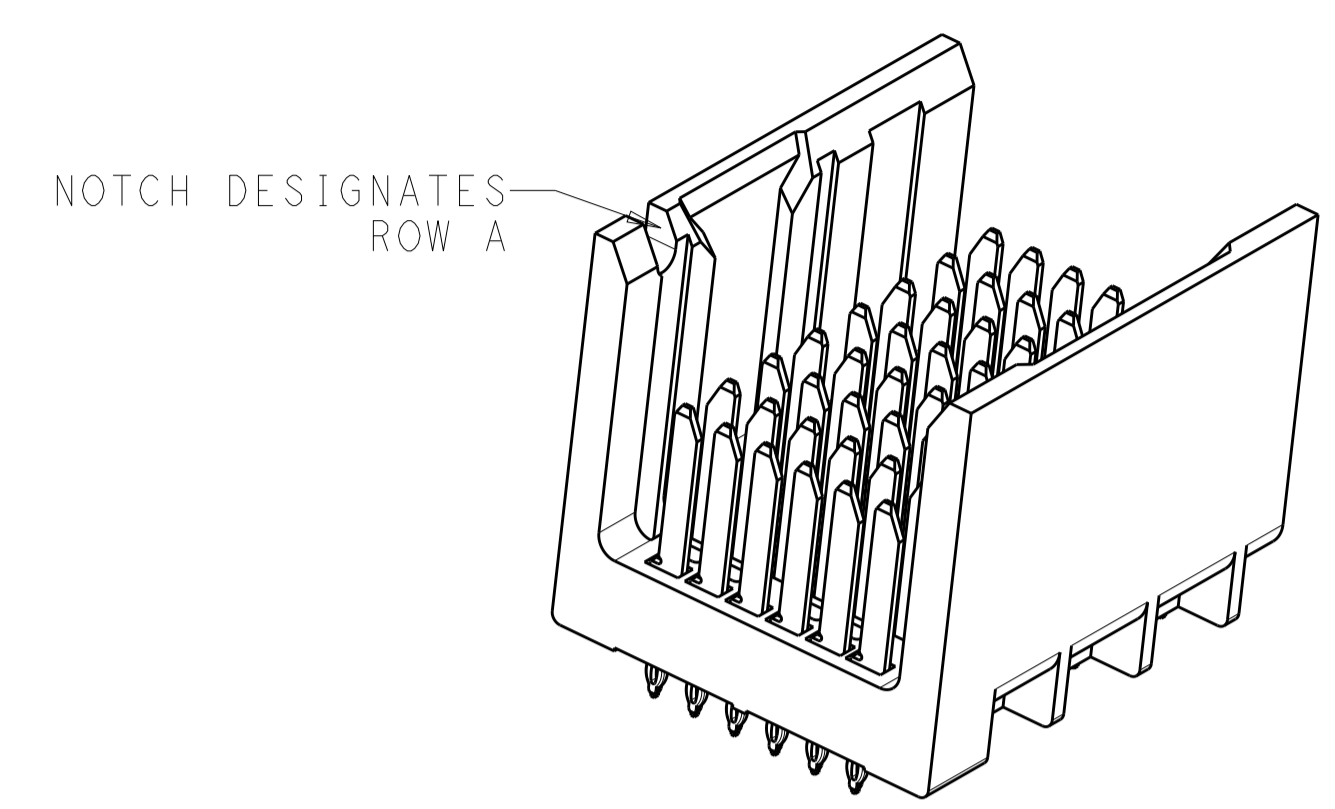
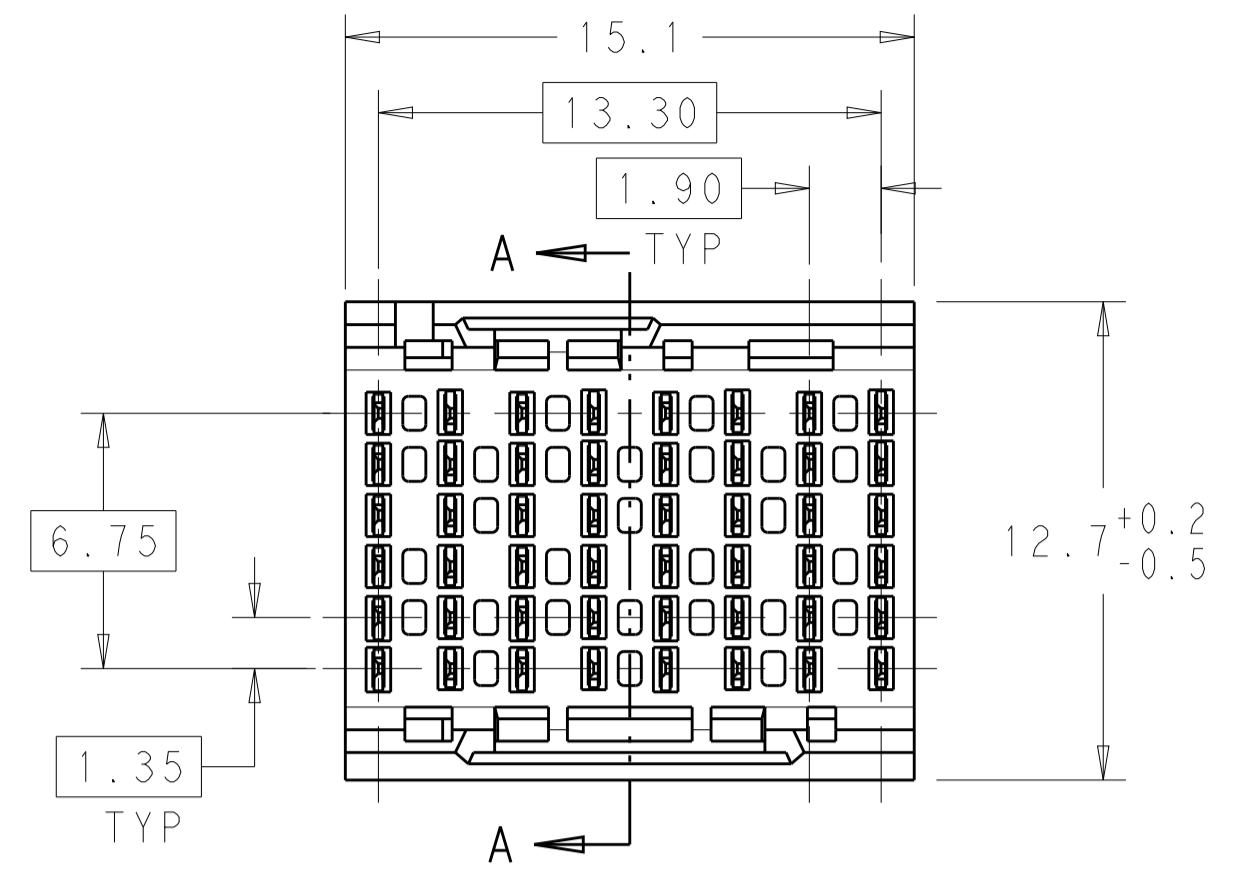
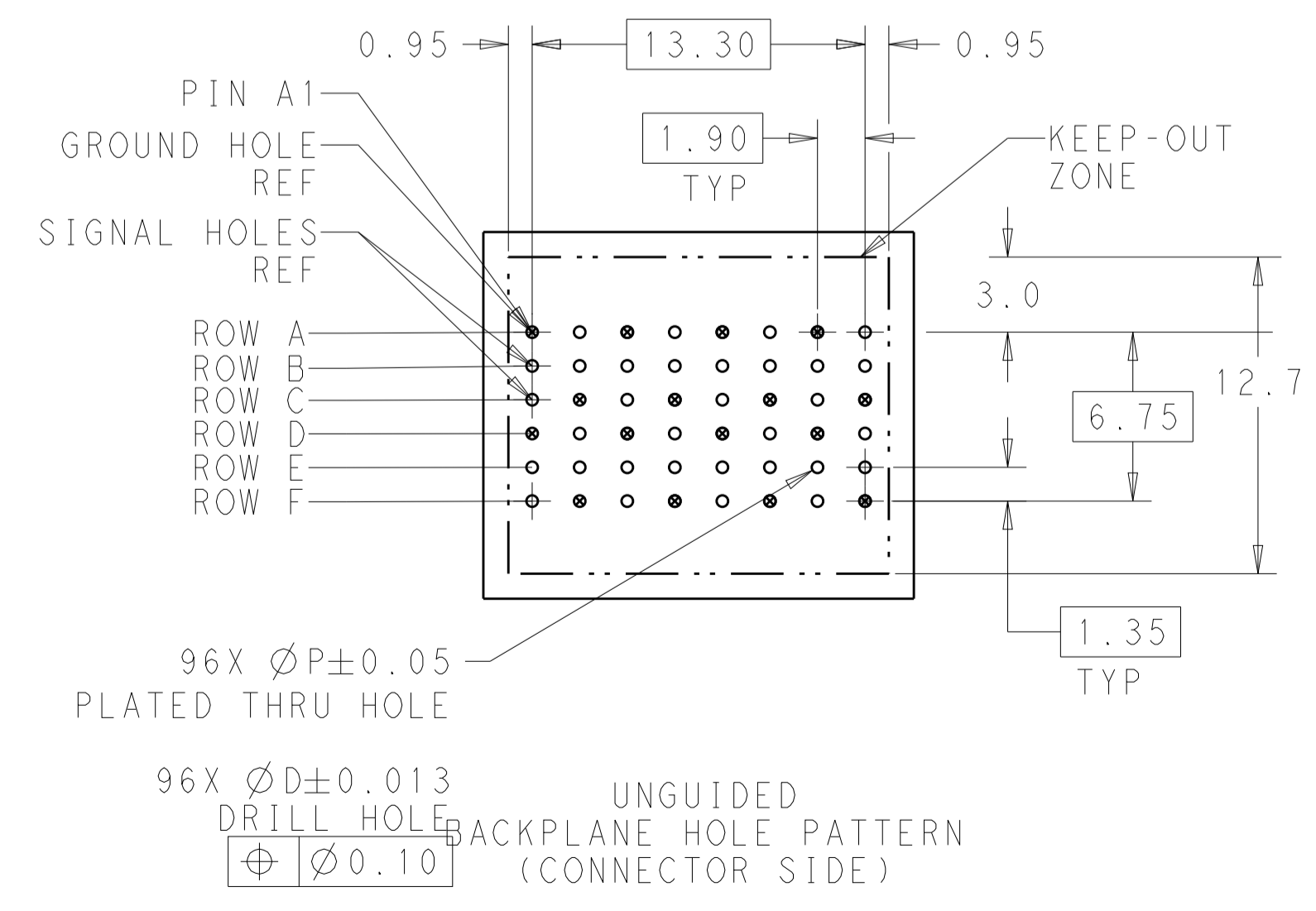
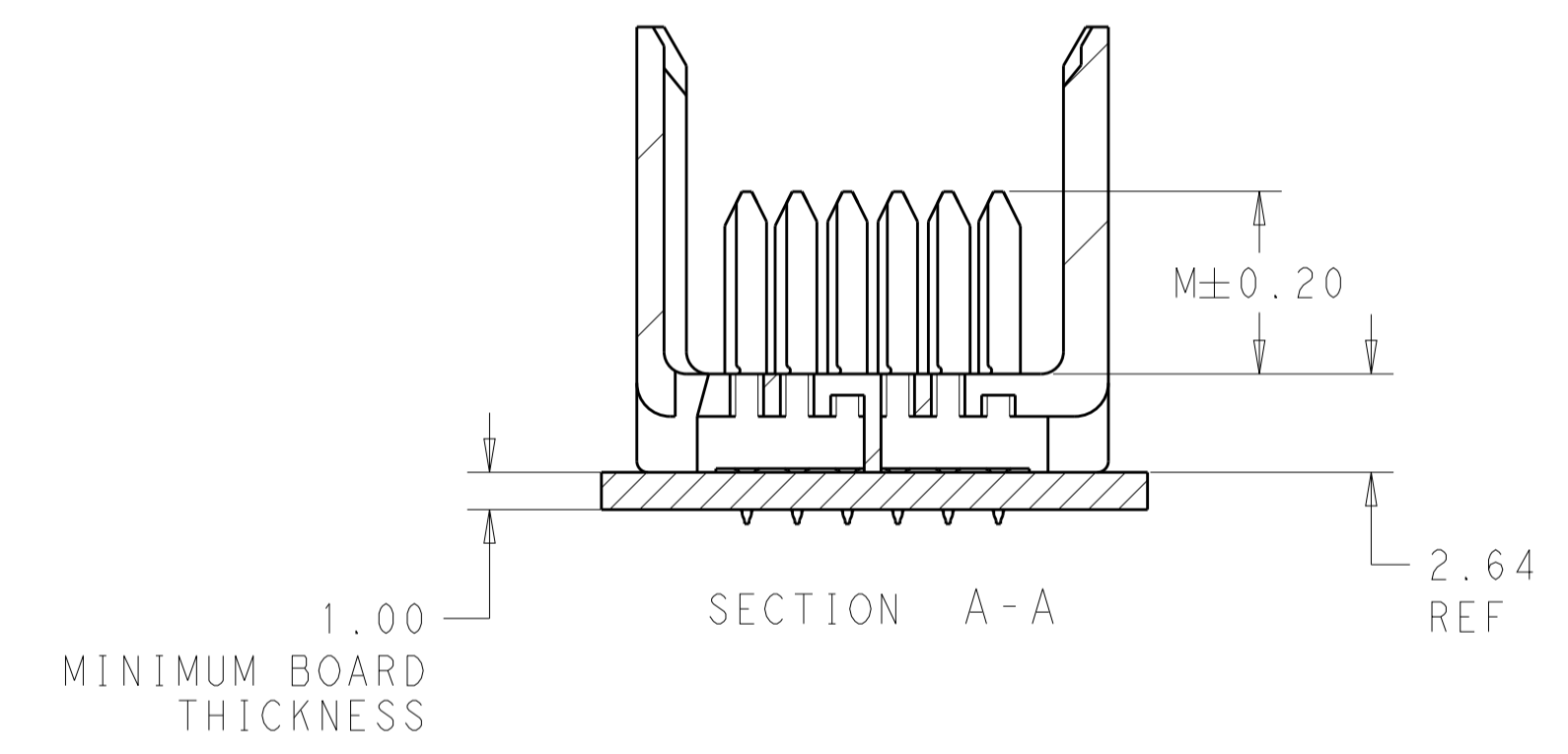
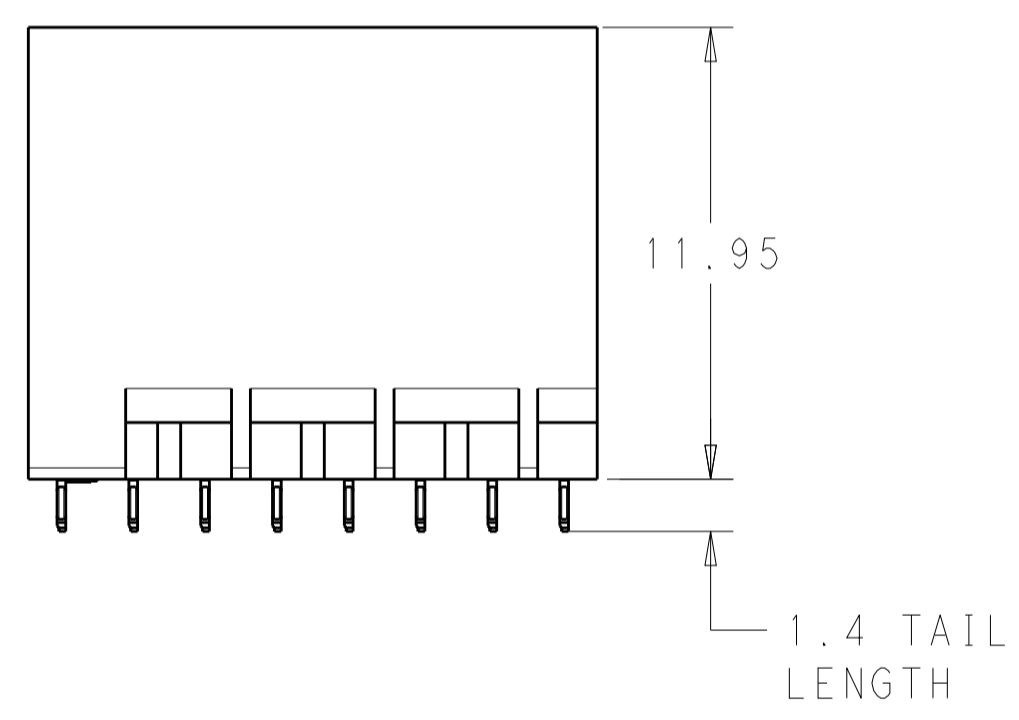


LOC		DIST		REVISIONS			
AD	00	P	LTN	DESCRIPTION	DATE	DWN	APVD
		A1		REVISED PER ECO-15-004792	30MAR2015	AP	DD



- 1 MATERIAL:
HOUSING: LCP, GLASS FILLED, UL94V-0.
TERMINALS: HIGH PERFORMANCE COPPER ALLOY.
- 2 FINISH:
30µ" MIN GOLD IN CONTACT AREA. SELECTIVE TIN ON PCB TAILS, NICKEL OVERALL.
- 3. SCREWS PACKAGED IN END OF PACKAGING TUBE.
- 4 FOR GROUNDED GUIDE PIN USE $\varnothing 3.56 \pm 0.08$ PTH, $\varnothing 3.66$ DRILL, AND $\varnothing 6.5$ PAD.
- 5. KEYING PIN SHOWN IN POSITION A, SEE KEYING CHART ON SHEET 2 FOR OTHER POSITIONS.



REFER TO WWW.TE.COM FOR PRODUCT AVAILABILITY

0.55	0.46	5.5	2214496-6
0.55	0.46	4.9	2214496-5
0.55	0.46	4.5	2214496-4
0.48	0.39	5.5	2214496-3
0.48	0.39	4.9	2214496-2
0.48	0.39	4.5	2214496-1
D DRILL HOLE SIZE	P PLATED THROUGH HOLE SIZE	M POST LENGTH	PART NUMBER

THIS DRAWING IS A CONTROLLED DOCUMENT.		DWN AJITH PAI 12JUN2014	TE Connectivity	
DIMENSIONS: mm		CHK D. DIXON 12JUN2014		
TOLERANCES UNLESS OTHERWISE SPECIFIED:		APVD D. DIXON 12JUN2014	NAME IMPACT.85 OHM, STANDARD, 2 PAIR PLUS, 8 COLUMN HEADER, UNGUIDED, OPEN ENDWALL, SIGNAL MODULE	
0 PLC ± 1 PLC ±0.25 2 PLC ±0.13 3 PLC ± 4 PLC ± ANGLES ±		PRODUCT SPEC	SIZE CAGE CODE DRAWING NO RESTRICTED TO	
MATERIAL		APPLICATION SPEC	A100779C=2214496	
FINISH SEE TABLE		WEIGHT	Customer Drawing	
		SCALE 5:1	SHEET 1 OF 1 REV A1	