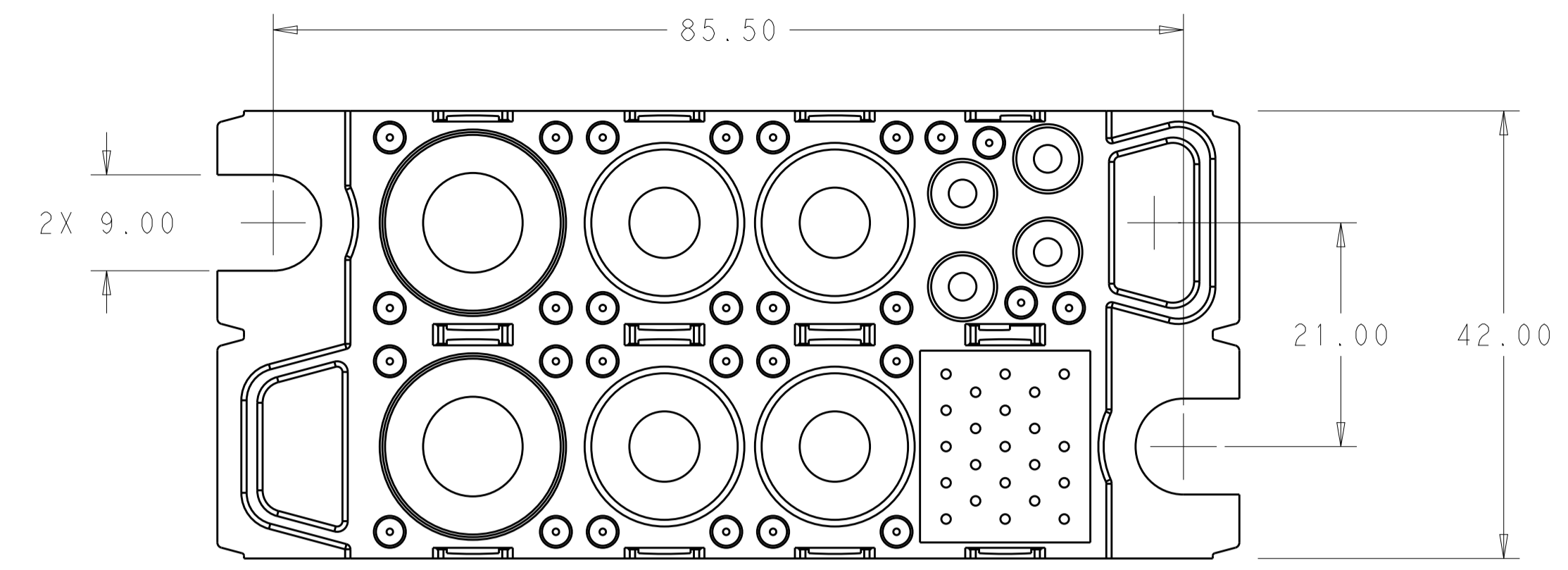
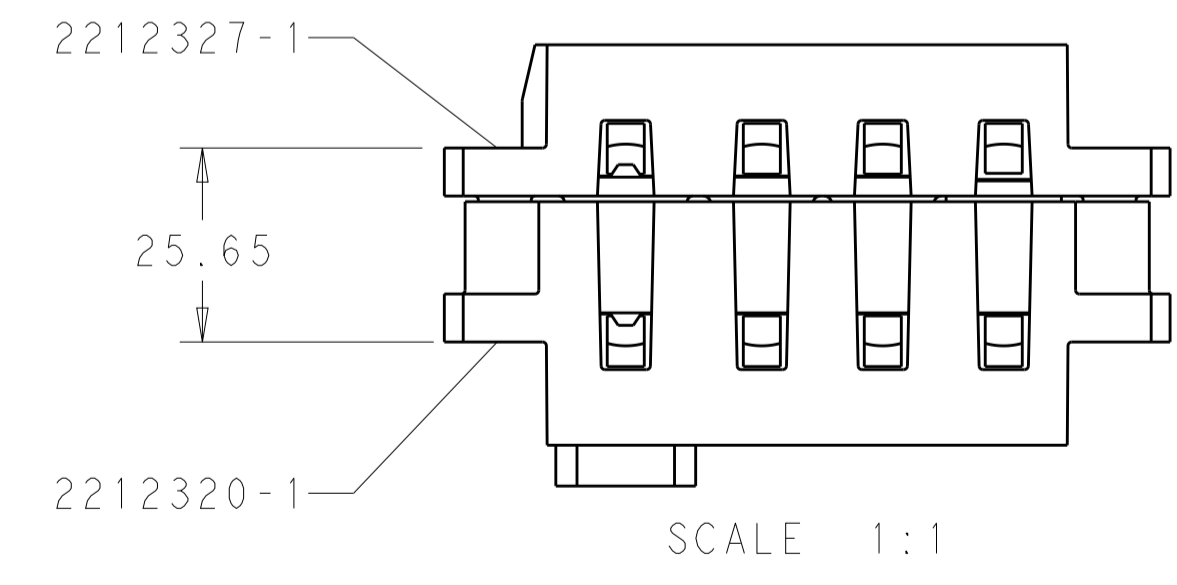
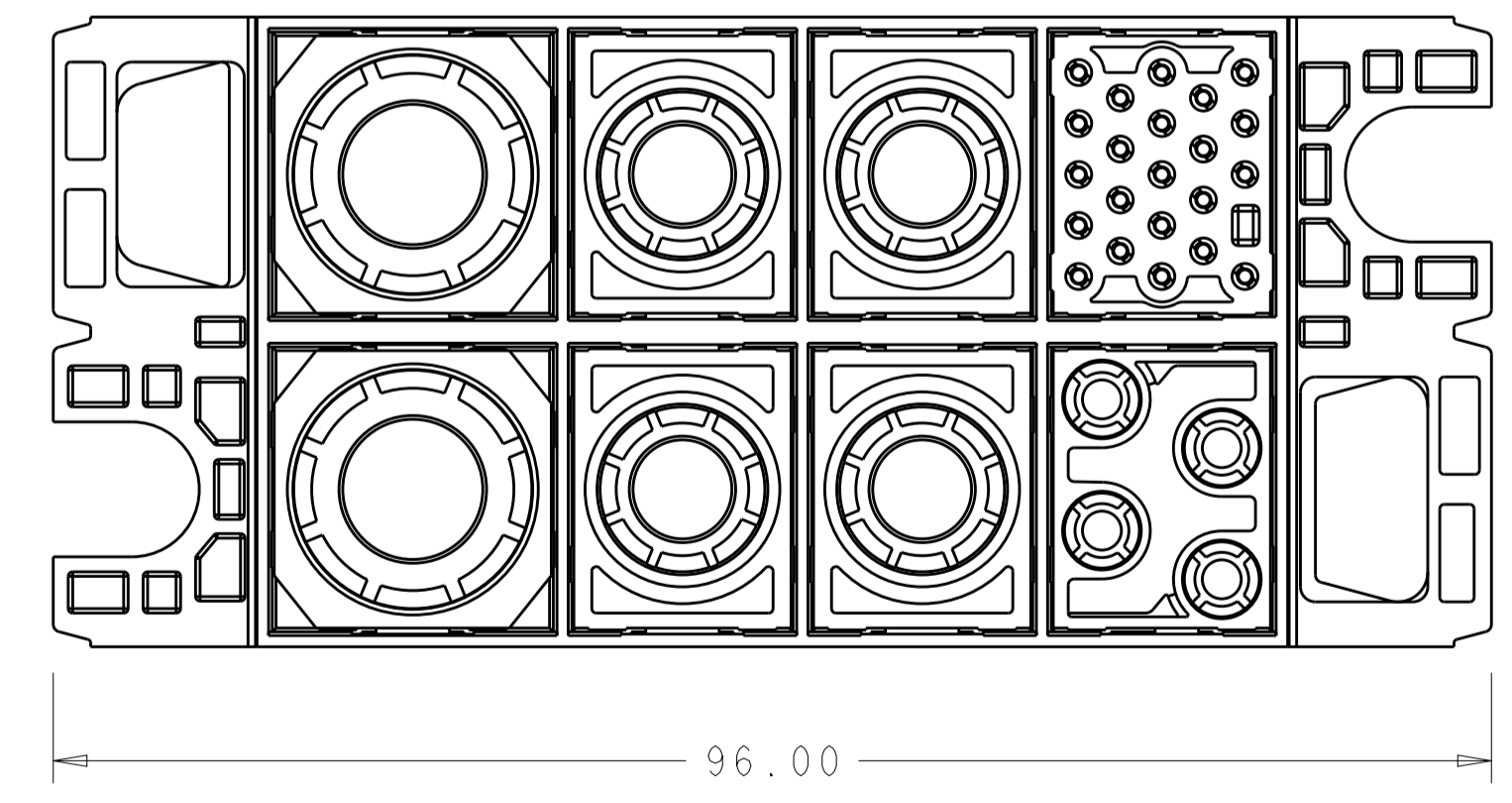
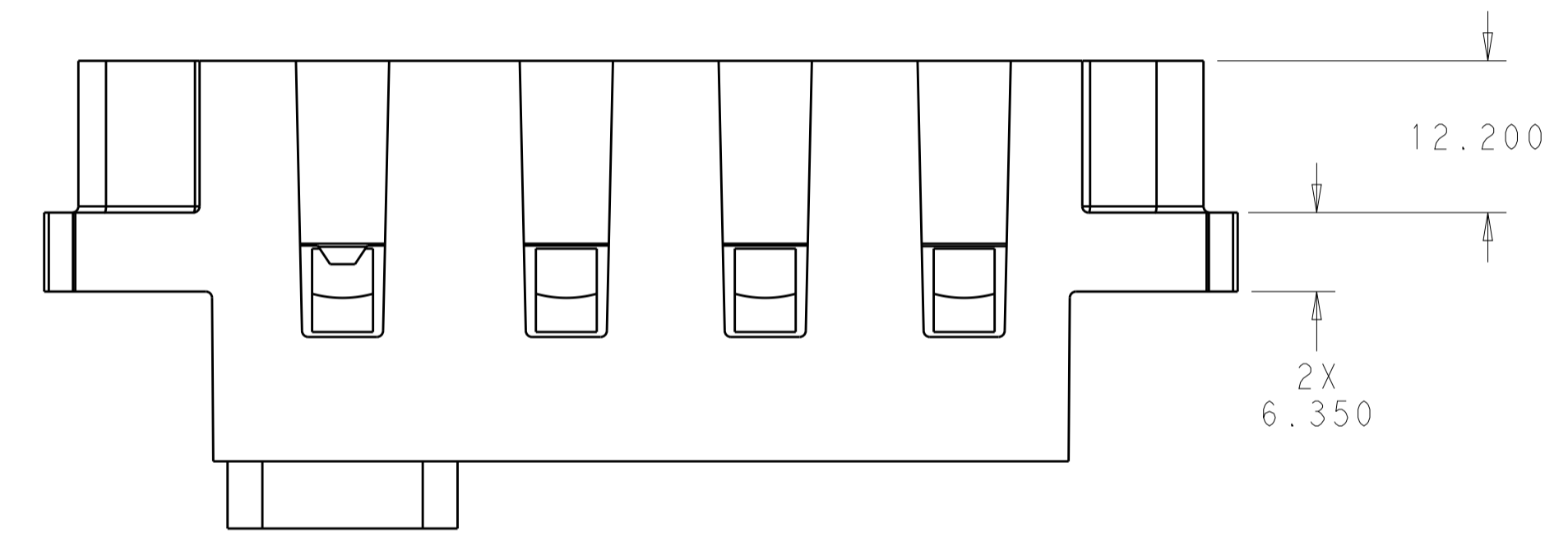
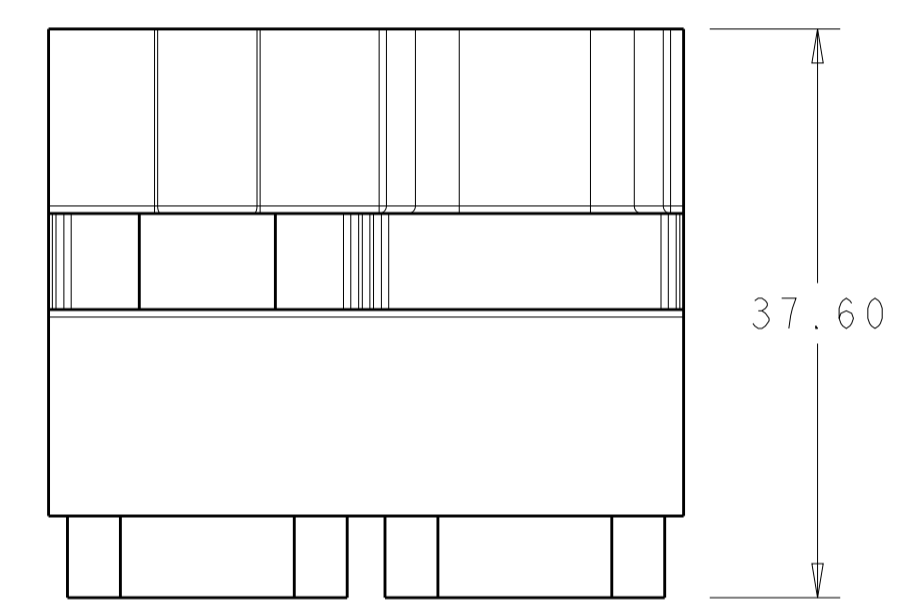
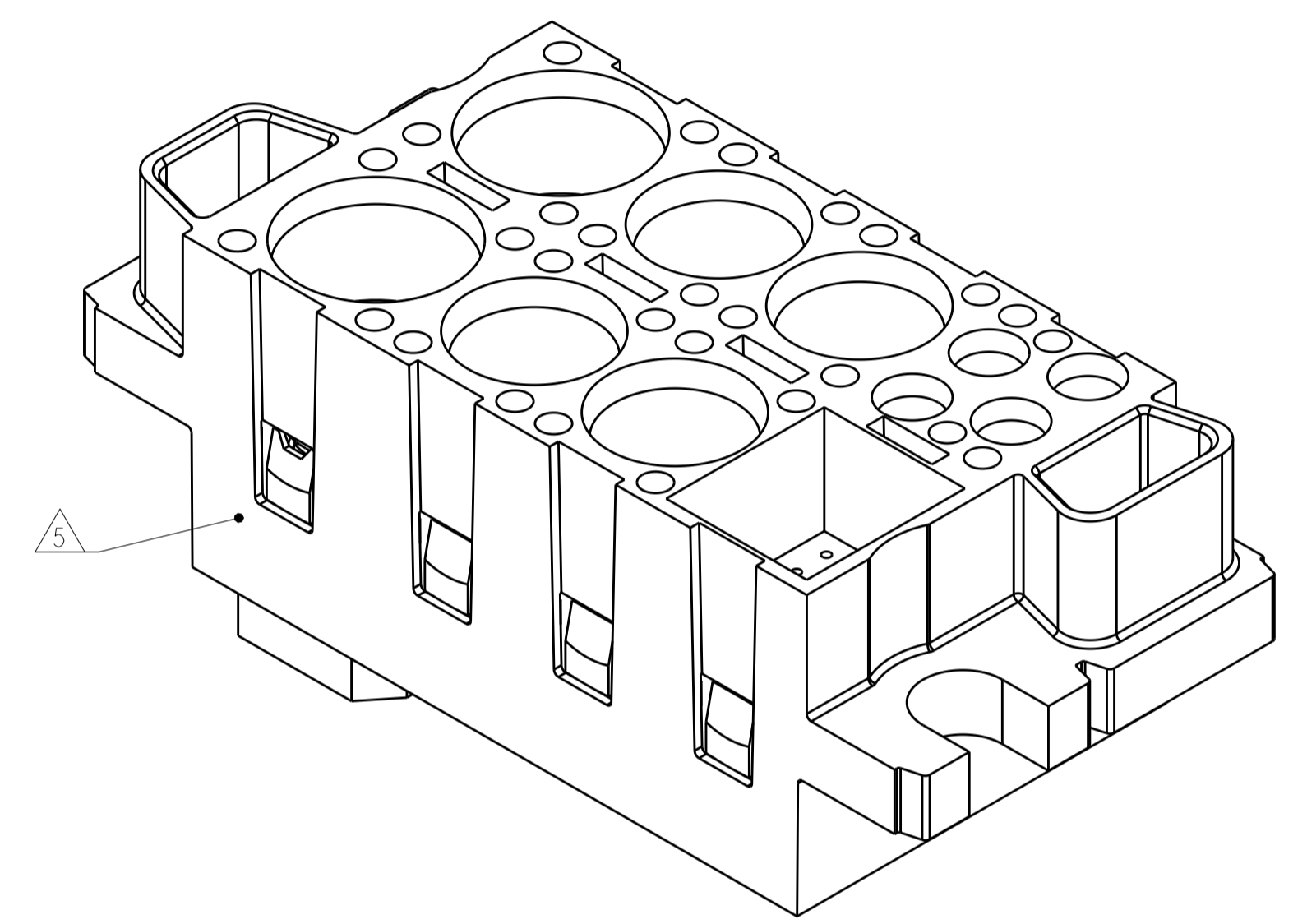


LOC		DIST		REVISIONS			
				DESCRIPTION	DATE	DWN	APVD
		2		STANDARDIZE DWG	02FEB2015	RT	EW



- 1 HOUSING: THERMOPLASTIC, COLOR BLACK, FLAMMABILITY RATING UL 94 V-0.
- 2 THIS ASSEMBLY TO MATE WITH TEC PART NUMBER 2212327-1.
- 3. RECOMMENDED SHOULDER SCREW:  
2212056, FLOAT MOUNT  
2212055, FIXED MOUNT
- 4 RECOMMENDED PANEL CUTOUT FOR FRONT PANEL MOUNT APPLICATION.  
RECOMMENDED PANEL THICKNESS 1.5 TO 1.78.
- 5 DATE CODE AND PART NUMBER IN APPROXIMATE AREA SHOWN.



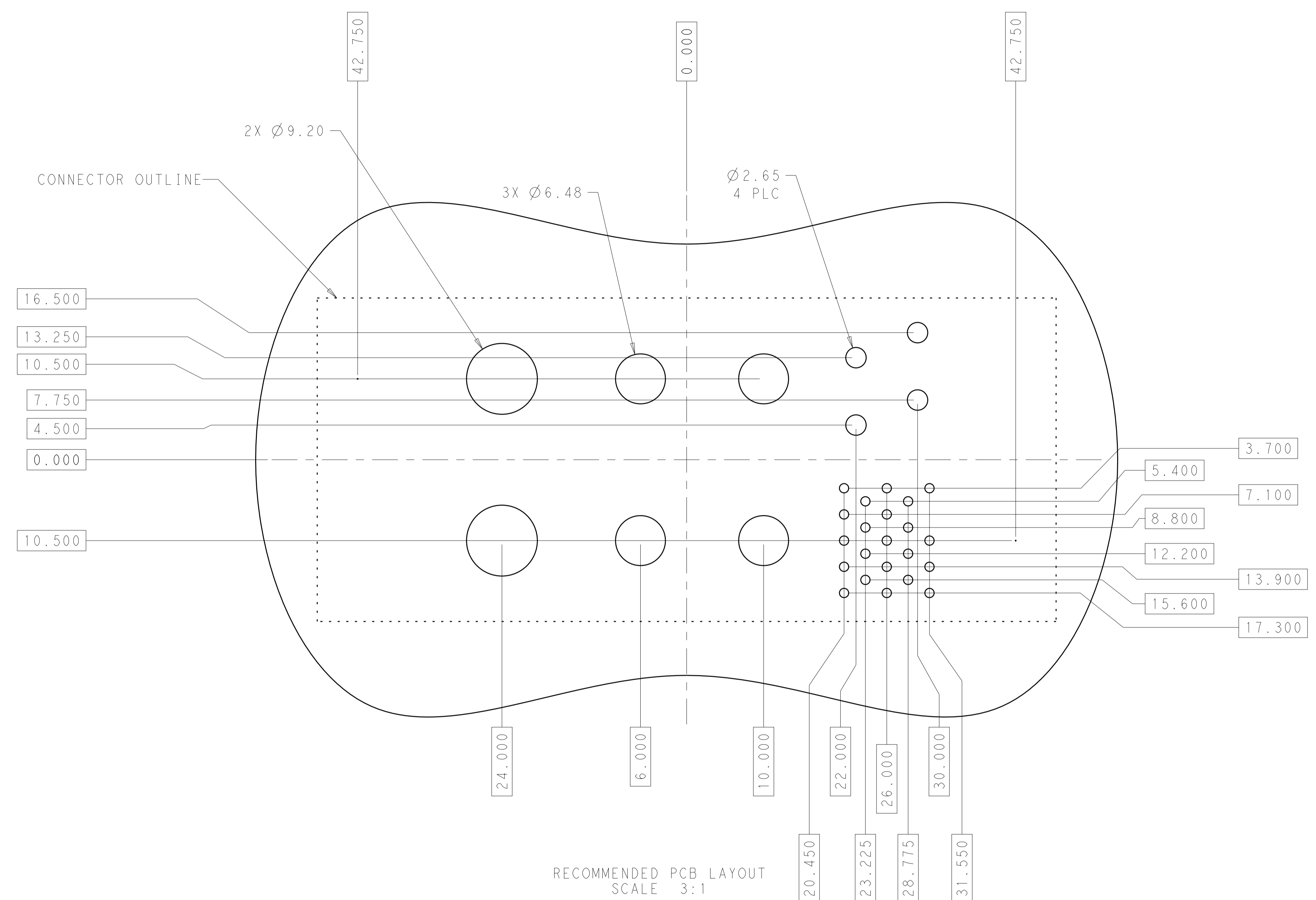
SCALE 1:1  
 FULLY MATED ASSEMBLIES

CONNECTOR, PIN, FORGE 2x#0,4x#4,0x#8,1x#12,1x#22	2212320-1
DESCRIPTION	PART NO.

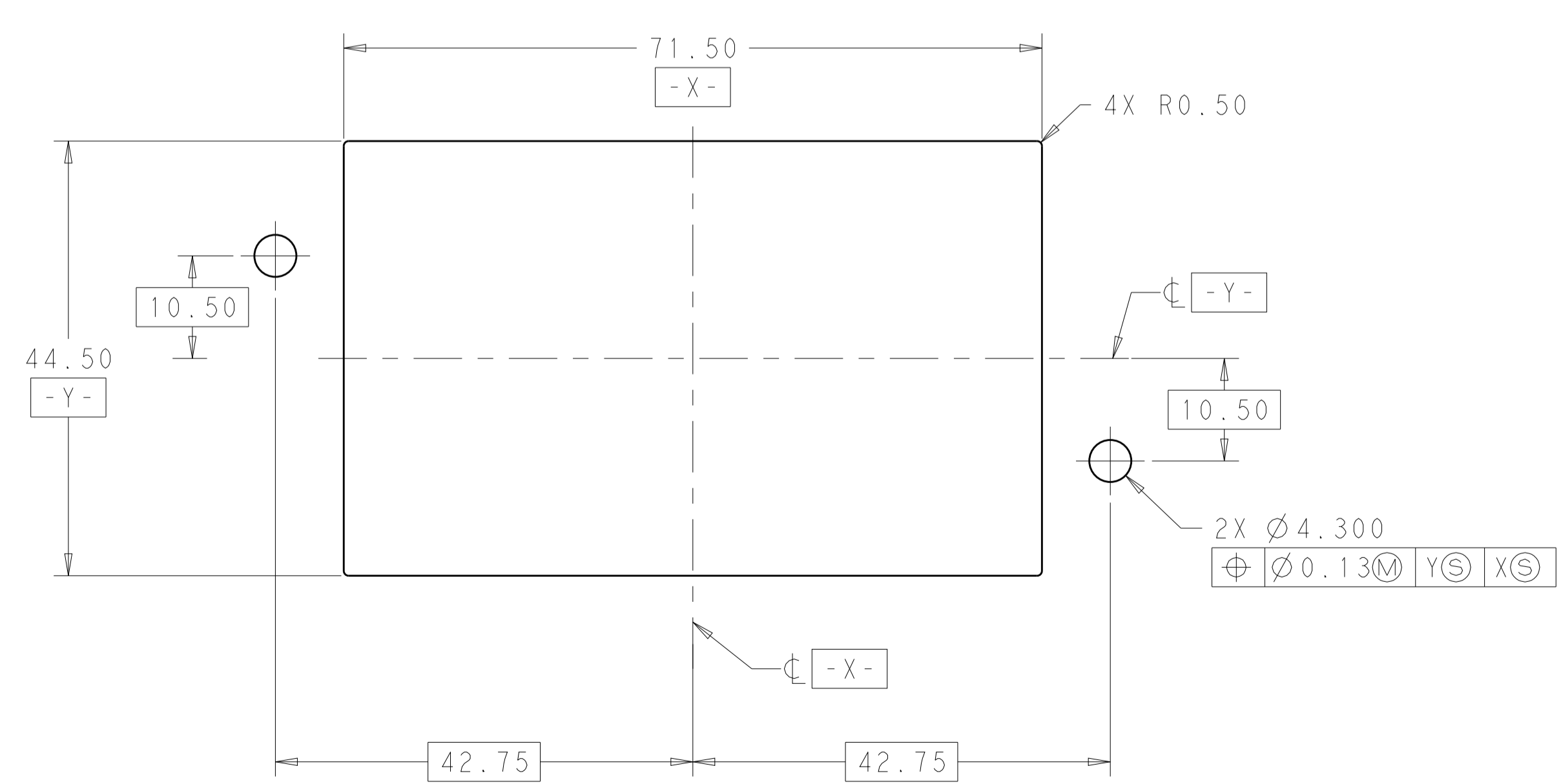
THIS PRINT IS  
**PRELIMINARY**  
 UNQUALIFIED PRODUCT  
 CONTACT PRODUCT ENGINEERING  
 BEFORE USING THIS PRINT

THIS DRAWING IS A CONTROLLED DOCUMENT.		DWN: R. TREA 16JAN2015	TE Connectivity
DIMENSIONS: mm		CHK: E. WICKES 16JAN2015	
TOLERANCES UNLESS OTHERWISE SPECIFIED:		APVD: S. STRICKLER 16JAN2015	NAME: CONNECTOR, PIN, FORGE 2x#0,4x#4,0x#8,1x#12,1x#22 CONFIGURATION
0 PLC ±N/A		PRODUCT SPEC: 108-2323	
1 PLC ±N/A		APPLICATION SPEC: 114-13299	SIZE: A1
2 PLC ±0.25		WEIGHT: -	CAGE CODE: 00779
3 PLC ±0.13		Customer Drawing	DRAWING NO: 2212320
4 PLC ±N/A		SCALE: 2:1	SHEET 1 OF 2
ANGLES: ±N/A		REV: 2	
FINISH: -			

LOC		DIST		REVISIONS			
P	LTN	DESCRIPTION	DATE	DMN	APVD		
-	-	SEE SHEET 1	-	-	-		



RECOMMENDED PCB LAYOUT  
 SCALE 3:1



RECOMMENDED PANEL CUTOUT  
 SCALE 2:1

THIS DRAWING IS A CONTROLLED DOCUMENT.		DMN R. TREA 16JAN2015	CHK E. WICKES 16JAN2015	APVD S. STRICKLER 16JAN2015	NAME CONNECTOR, PIN, FORGE 2x#0, 4x#4, 0x#8, 1x#12, 1x#22 CONFIGURATION														
DIMENSIONS: mm	TOLERANCES UNLESS OTHERWISE SPECIFIED:	PRODUCT SPEC 108-2323		SIZE A1	RESTRICTED TO														
<table border="1"> <tr> <td>0 PLC</td> <td>±N/A</td> </tr> <tr> <td>1 PLC</td> <td>±N/A</td> </tr> <tr> <td>2 PLC</td> <td>±0.25</td> </tr> <tr> <td>3 PLC</td> <td>±0.13</td> </tr> <tr> <td>4 PLC</td> <td>±N/A</td> </tr> <tr> <td>ANGLES</td> <td>±N/A</td> </tr> <tr> <td>FINISH</td> <td>±N/A</td> </tr> </table>		0 PLC	±N/A	1 PLC	±N/A	2 PLC	±0.25	3 PLC	±0.13	4 PLC	±N/A	ANGLES	±N/A	FINISH	±N/A	APPLICATION SPEC 114-13299	WEIGHT	CAGE CODE A100779	DRAWING NO C=2212320
0 PLC	±N/A																		
1 PLC	±N/A																		
2 PLC	±0.25																		
3 PLC	±0.13																		
4 PLC	±N/A																		
ANGLES	±N/A																		
FINISH	±N/A																		
MATERIAL		Customer Drawing		SCALE 1:1	SHEET 2 OF 2														
				REV 2															