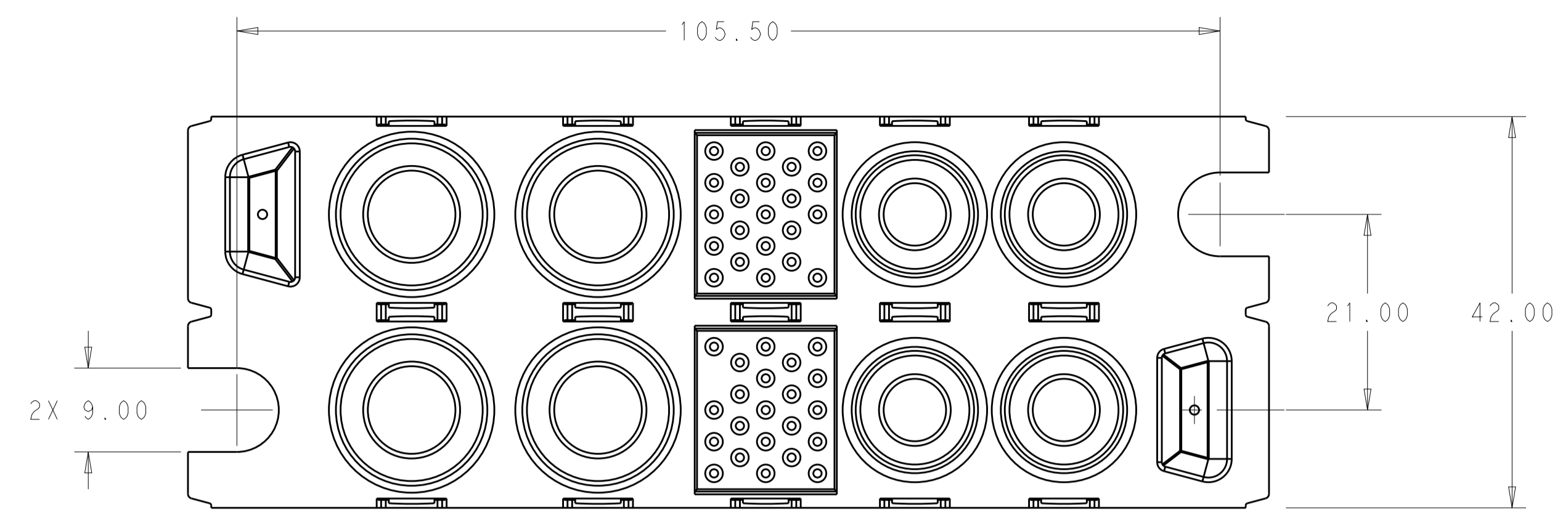
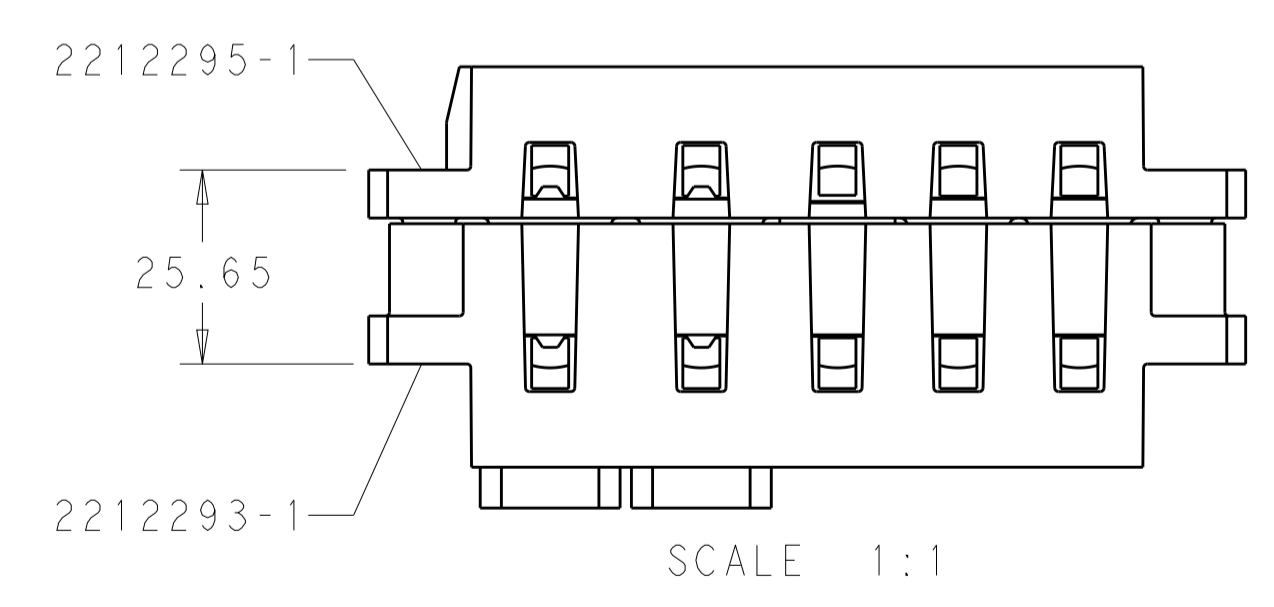
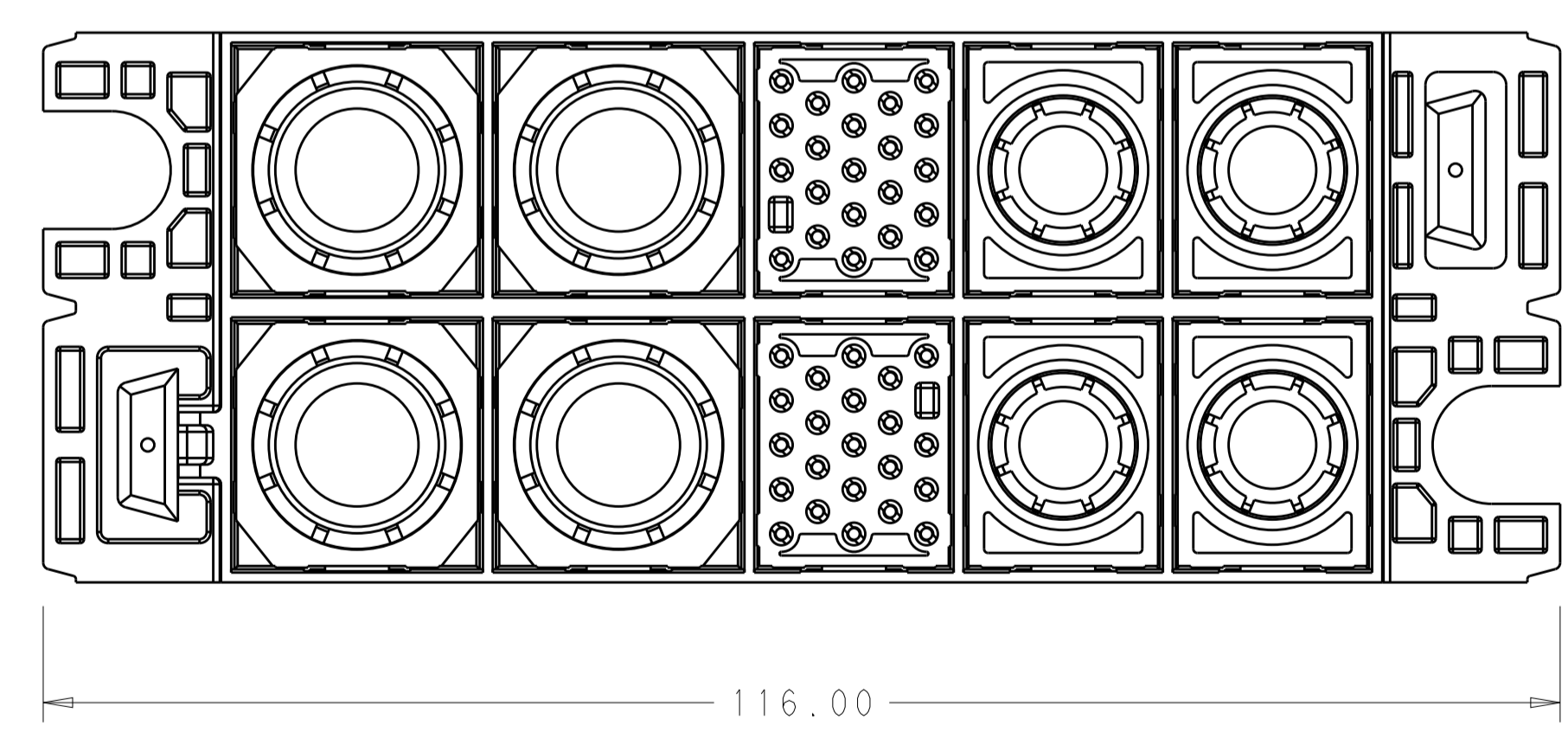
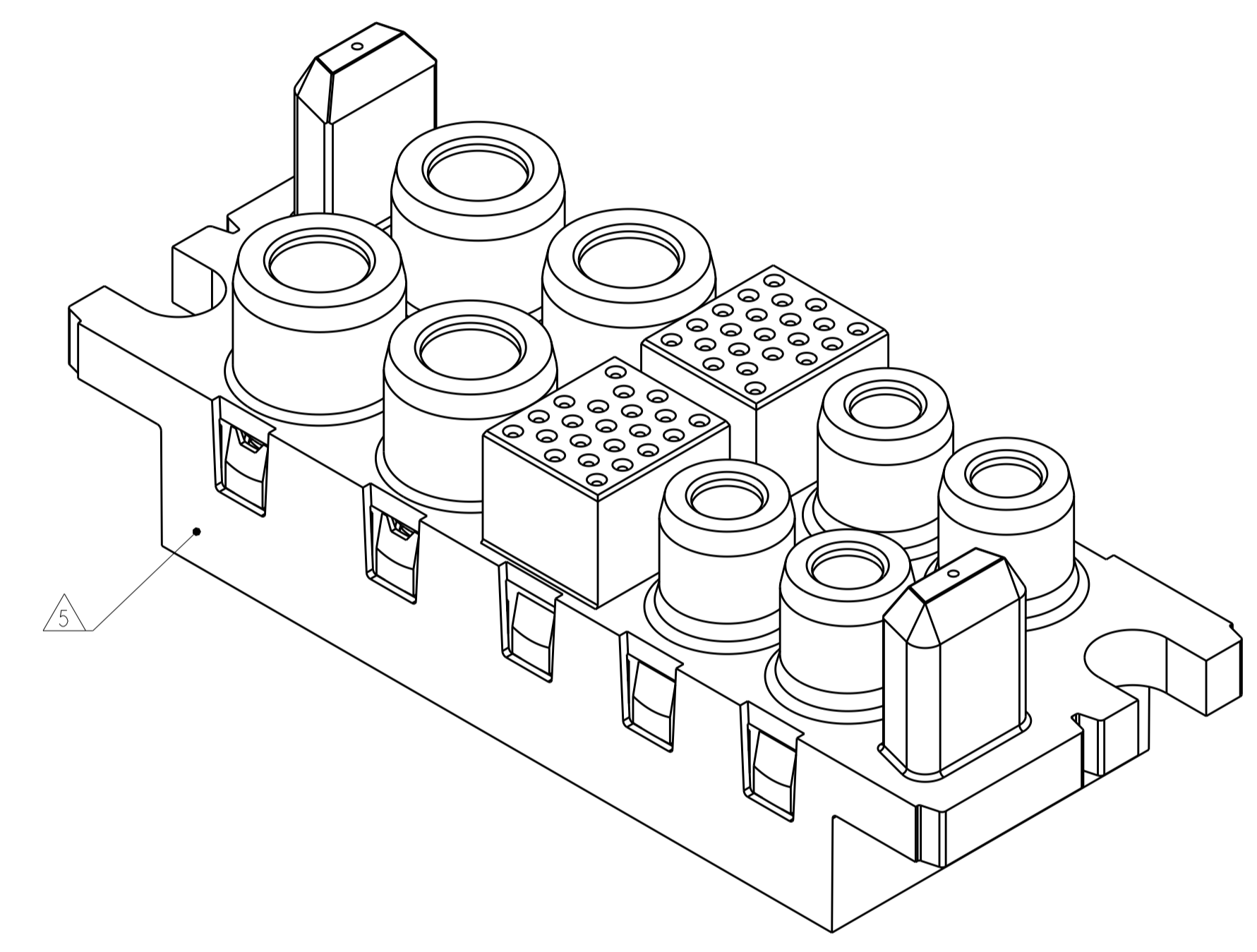
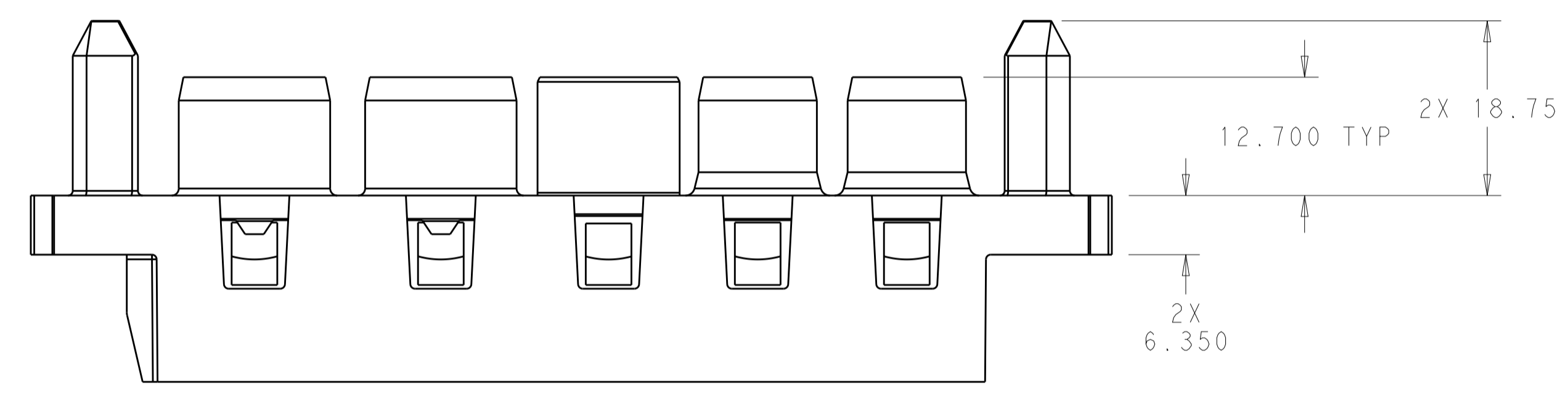
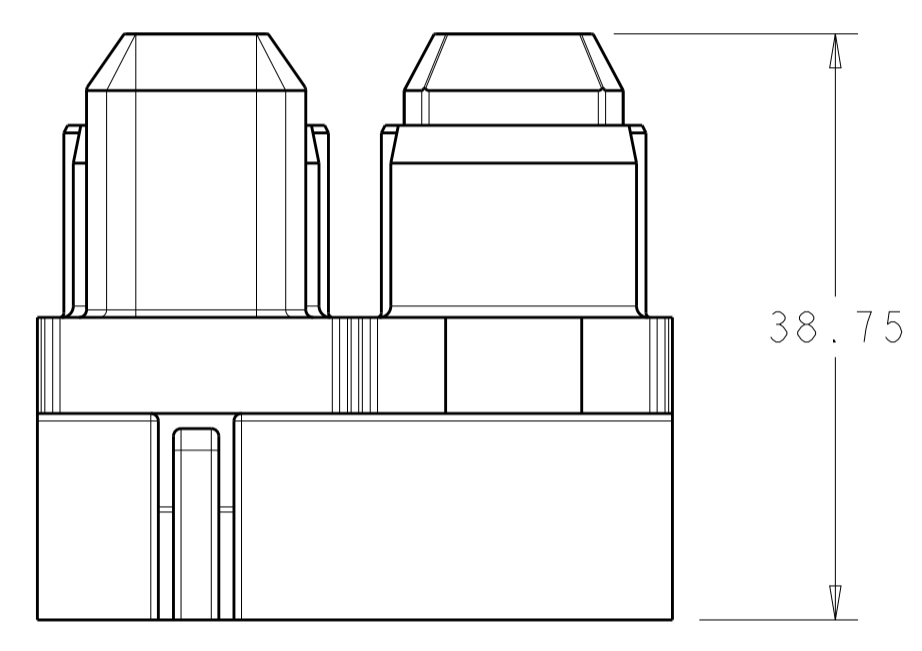


LOC		DIST		REVISIONS			
				REV	DATE	BY	APPV
		2		STANDARDIZE DWG	04FEB2015	RT	EW



- △ HOUSING: THERMOPLASTIC, COLOR BLACK, FLAMMABILITY RATING UL 94 V-0.
- △ THIS ASSEMBLY TO MATE WITH TEC PART NUMBER 2212293-1.
- 3. RECOMMENDED SHOULDER SCREW:  
2212056, FLOAT MOUNT  
2212055, FIXED MOUNT
- △ RECOMMENDED PANEL CUTOUT FOR FRONT PANEL MOUNT APPLICATION.  
RECOMMENDED PANEL THICKNESS 1.5 TO 1.78.
- △ DATE CODE AND PART NUMBER IN APPROXIMATE AREA SHOWN.



SCALE 1:1  
 FULLY MATED ASSEMBLIES △

CONNECTOR, SOCKET, FORGE 4x#0, 4x#4, 0x#8, 0x#12, 2x#22,	2212295-1
DESCRIPTION	PART NO.

THIS PRINT IS  
**PRELIMINARY**  
 UNQUALIFIED PRODUCT  
 CONTACT PRODUCT ENGINEERING  
 BEFORE USING THIS PRINT

THIS DRAWING IS A CONTROLLED DOCUMENT.		OWN: R. TREA 26JAN2015	
DIMENSIONS: mm		CHK: E. WICKES 26JAN2015	
TOLERANCES UNLESS OTHERWISE SPECIFIED:		APPV: D. ORRIS 26JAN2015	
0 PLC ±N/A 1 PLC ±N/A 2 PLC ±0.25 3 PLC ±0.13 4 PLC ±N/A ANGLES ±N/A		NAME: CONNECTOR, SOCKET, FORGE 4x#0, 4x#4, 0x#8, 0x#12, 2x#22 CONFIGURATION PRODUCT SPEC: 108-2323 APPLICATION SPEC: 114-13299 WEIGHT: - SIZE: A1 CAGE CODE: 00779 DRAWING NO: 2212295	
MATERIAL: △	FINISH: -	RESTRICTED TO: -	Customer Drawing
		SCALE: 2:1	SHEET: 1 OF 2
			REV: 2

