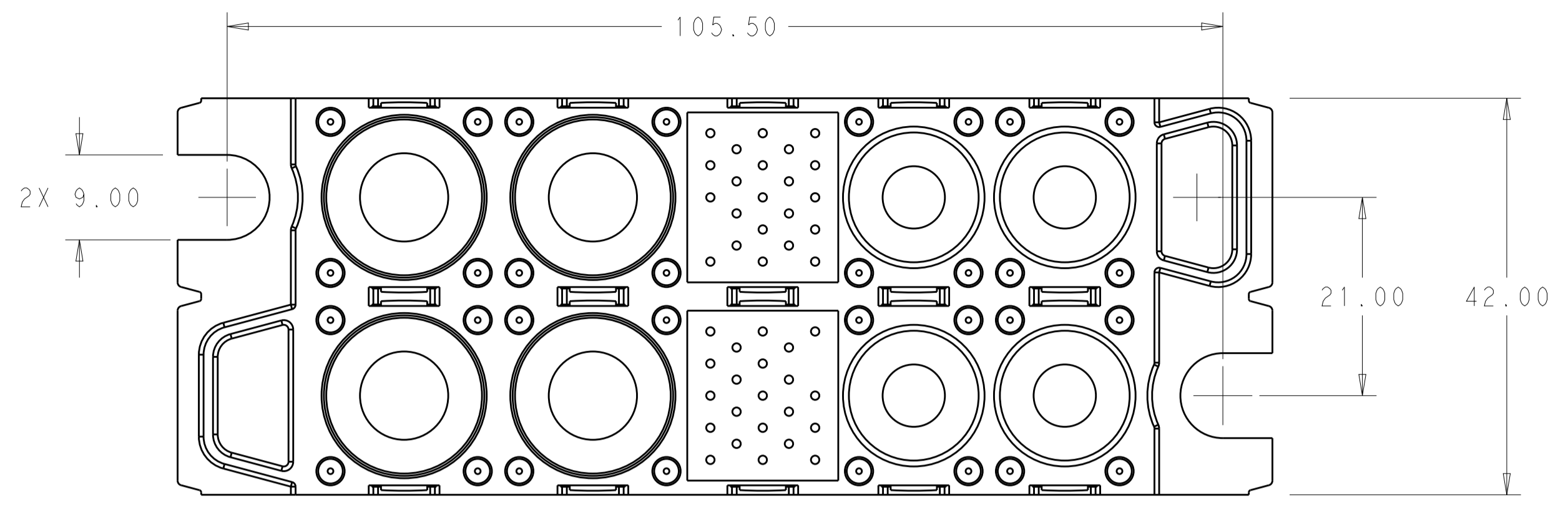
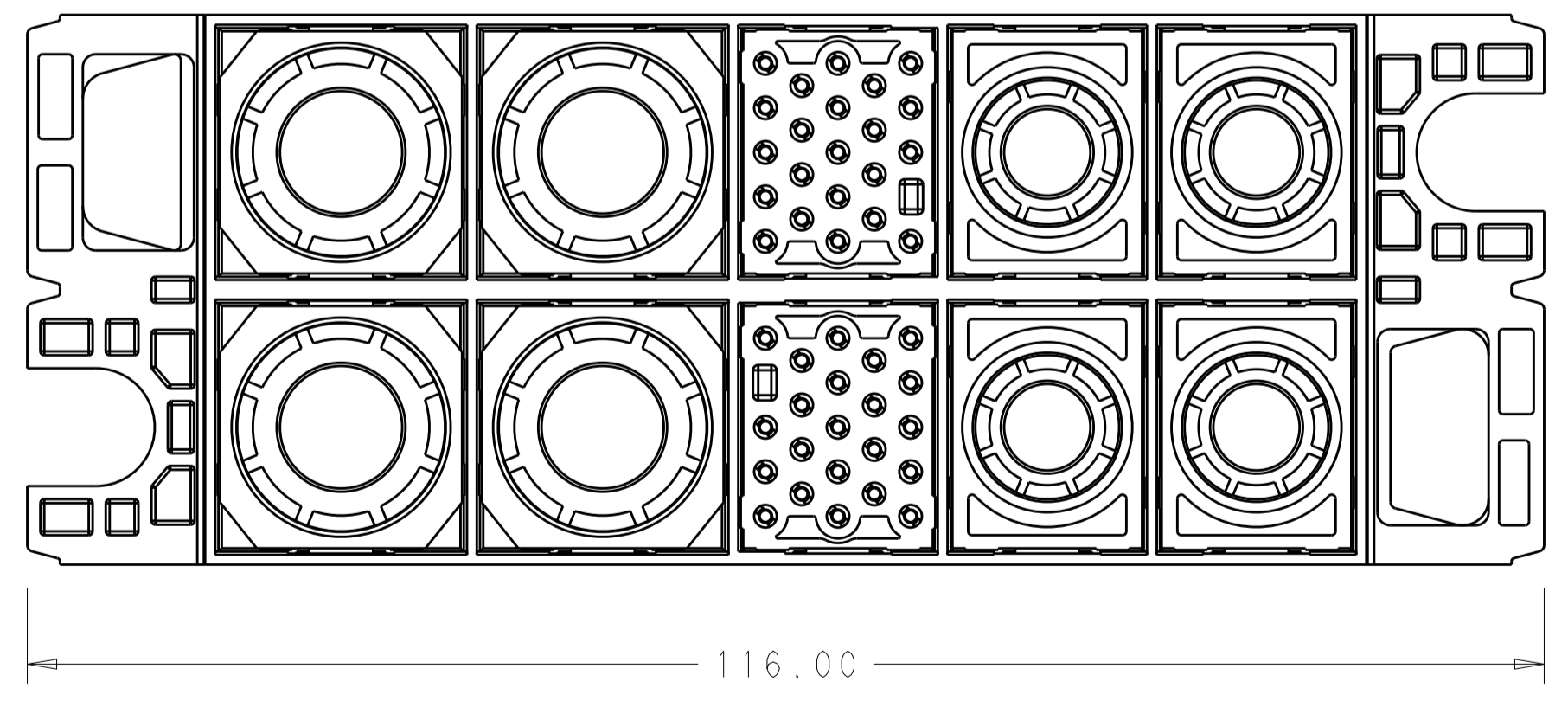
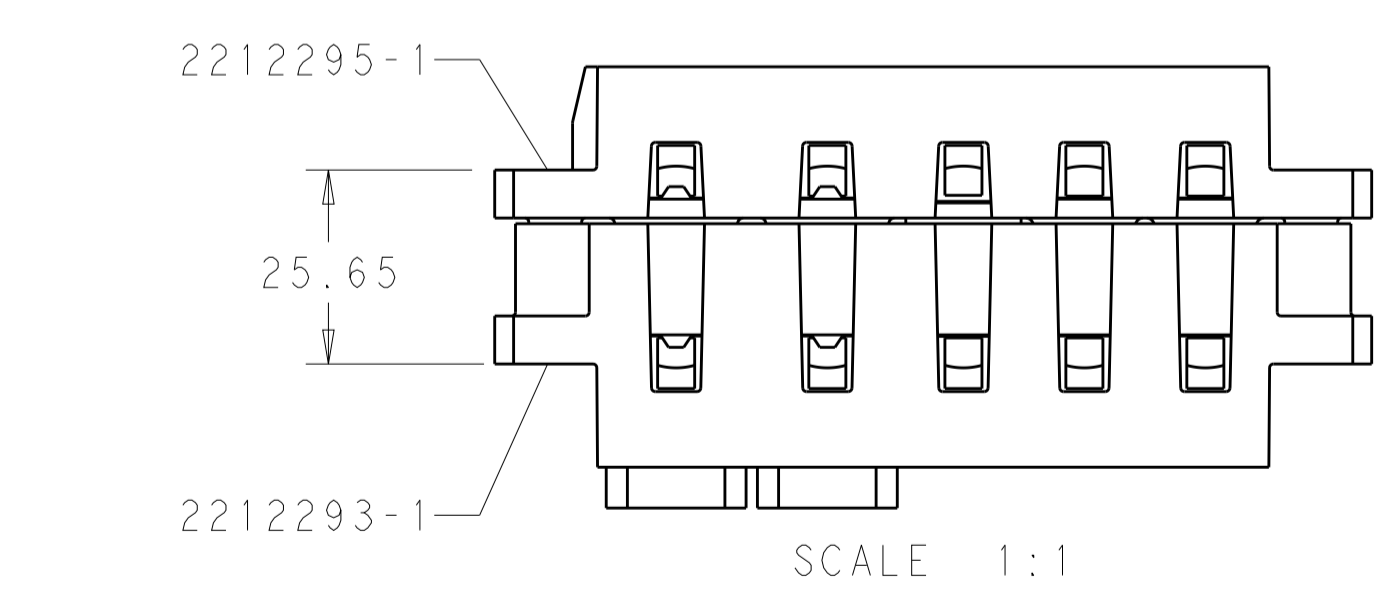
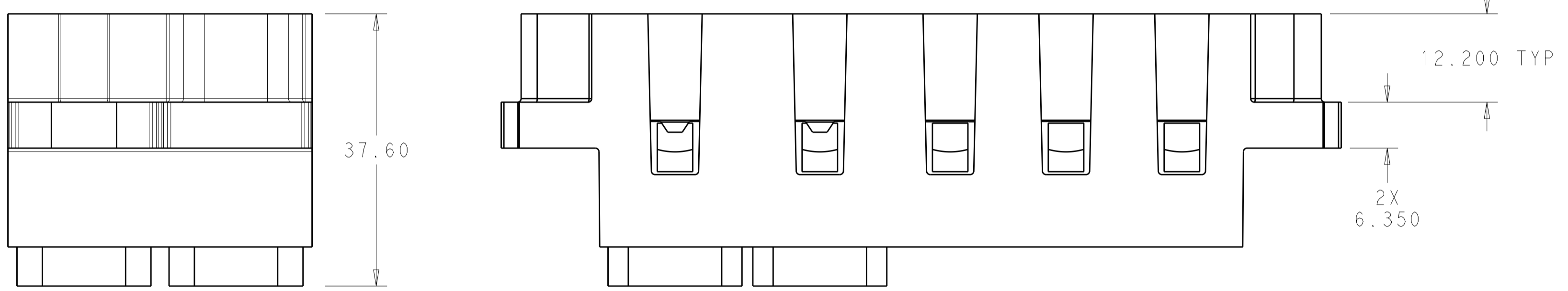
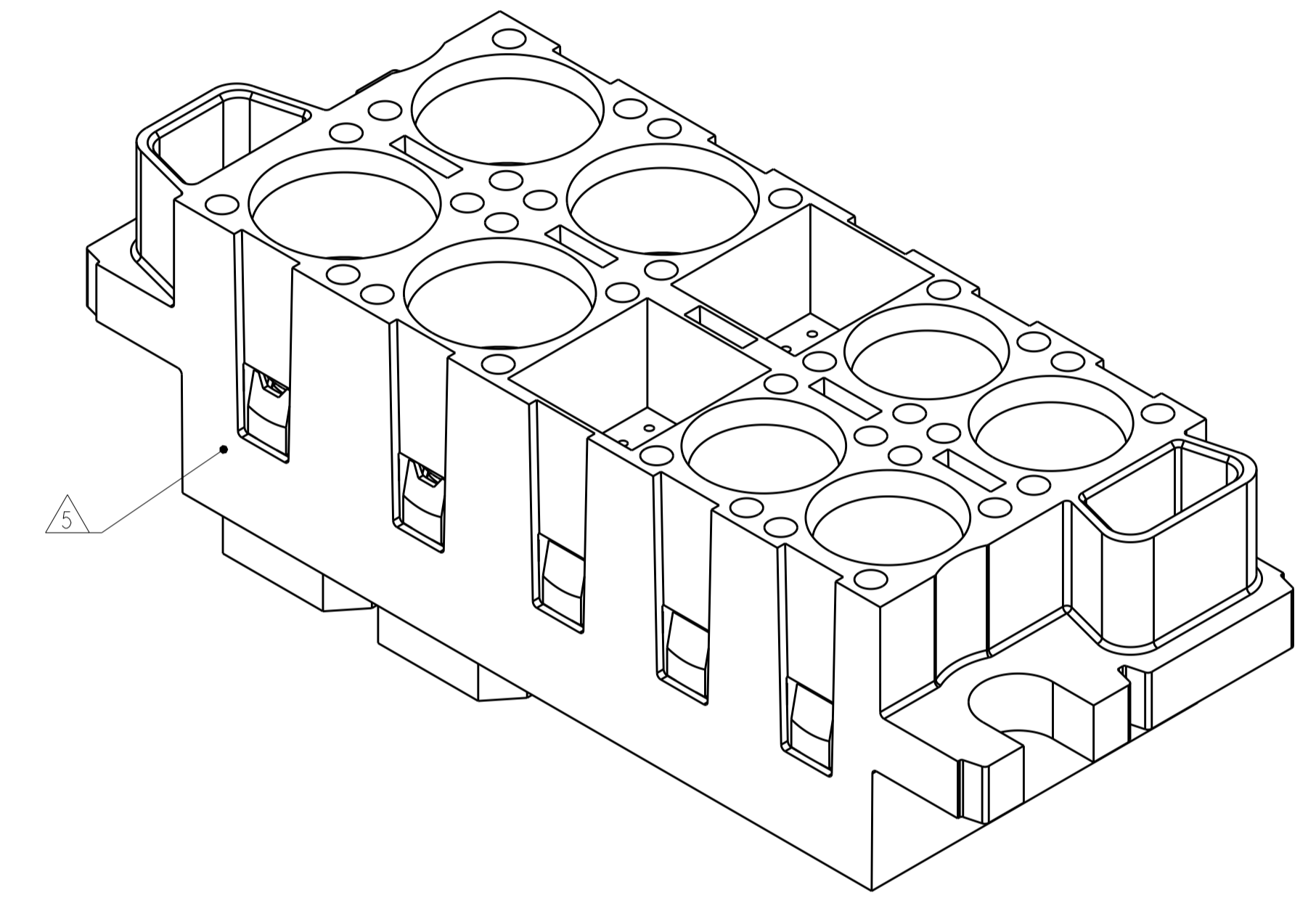


LOC		DIST		REVISIONS			
				DESCRIPTION	DATE	DWN	APVD
		2		STANDARDIZE DWG	04FEB2015	RT	EW



- 1 HOUSING: THERMOPLASTIC, COLOR BLACK, FLAMMABILITY RATING UL 94 V-0.
- 2 THIS ASSEMBLY TO MATE WITH TEC PART NUMBER 2212295-1.
- 3. RECOMMENDED SHOULDER SCREW:  
 2212056, FLOAT MOUNT  
 2212055, FIXED MOUNT
- 4 RECOMMENDED PANEL CUTOUT FOR FRONT PANEL MOUNT APPLICATION.  
 RECOMMENDED PANEL THICKNESS 1.5 TO 1.78.
- 5 DATE CODE AND PART NUMBER IN APPROXIMATE AREA SHOWN.



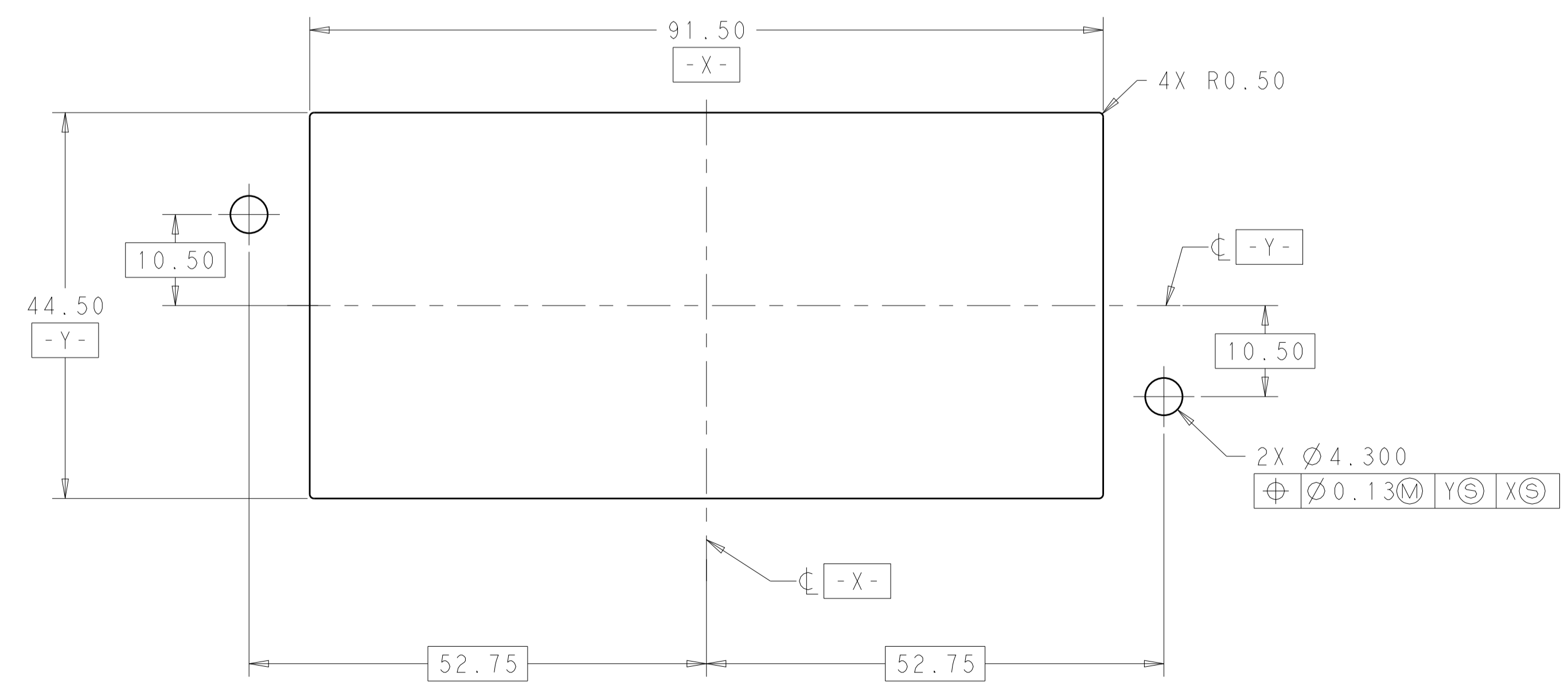
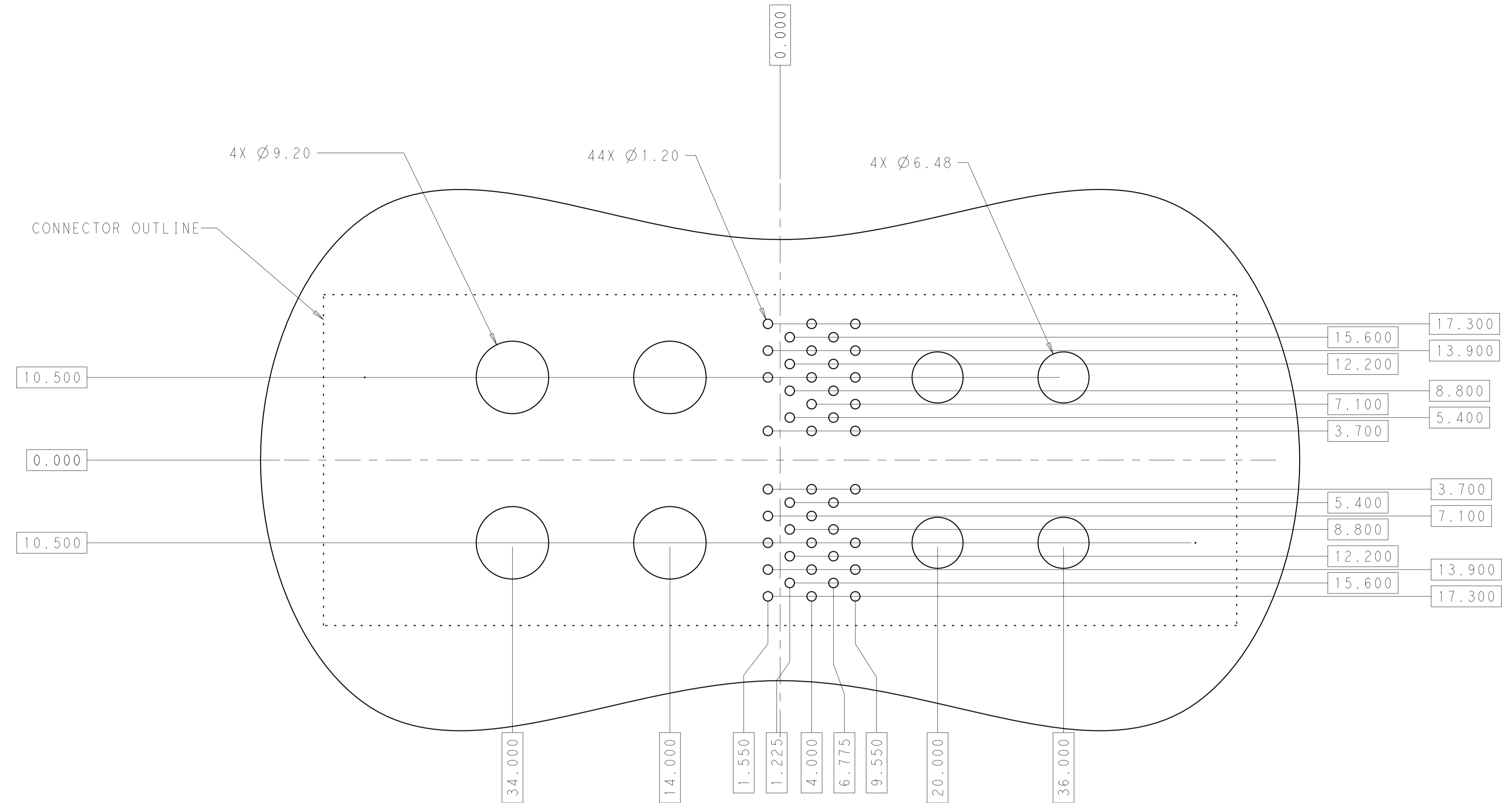
FULLY MATED ASSEMBLIES 2

CONNECTOR, PIN, FORGE 4x#0,4x#4,0x#8,0x#12,2x#22	2212293-1
DESCRIPTION	PART NO.

THIS PRINT IS  
**PRELIMINARY**  
 UNQUALIFIED PRODUCT  
 CONTACT PRODUCT ENGINEERING  
 BEFORE USING THIS PRINT

THIS DRAWING IS A CONTROLLED DOCUMENT.		DWN: R. IRENA 04FEB2015	TE Connectivity NAME: CONNECTOR, PIN, FORGE 4x#0,4x#4,0x#8,0x#12,2x#22 CONFIGURATION
DIMENSIONS: mm		CHK: E. WICKES 04FEB2015	
TOLERANCES UNLESS OTHERWISE SPECIFIED:		APVD: D. ORRIS 04FEB2015	PRODUCT SPEC
0 PLC ±N/A			108-2323
1 PLC ±N/A			APPLICATION SPEC
2 PLC ±0.25			114-13299
3 PLC ±0.13			WEIGHT
4 PLC ±N/A			A100779C=2212293
ANGLES ±N/A			Customer Drawing
FINISH			SCALE 2:1 SHEET 1 OF 2 REV 2

LOC		DIST		REVISIONS			
				REV	DATE	BY	APPD
-	-	-	-	-	-	-	-
-	-	-	-	1	SEE SHEET 1	-	-



RECOMMENDED PCB LAYOUT  
 SCALE 3:1

RECOMMENDED PANEL CUTOUT  
 SCALE 2:1

THIS DRAWING IS A CONTROLLED DOCUMENT.		OWN: R. IRENA 04FEB2015	TE Connectivity
DIMENSIONS: mm		CHK: E. WICKES 04FEB2015	
TOLERANCES UNLESS OTHERWISE SPECIFIED:		APVD: D. ORRIS 04FEB2015	NAME: CONNECTOR, PIN, FORGE
0 PLC ±N/A	1 PLC ±N/A	PRODUCT SPEC	4x#0, 4x#4, 0x#8, 0x#12, 2x#22 CONFIGURATION
2 PLC ±0.25	3 PLC ±0.13	APPLICATION SPEC	SIZE: A1
4 PLC ±N/A	ANGLES ±N/A	FINISH: ±N/A	CAGE CODE: 100779
MATERIAL: -	FINISH: -	WEIGHT: -	DRAWING NO: C=2212293
Customer Drawing		SCALE: 1:1	SHEET 2 OF 2
		REV: 2	