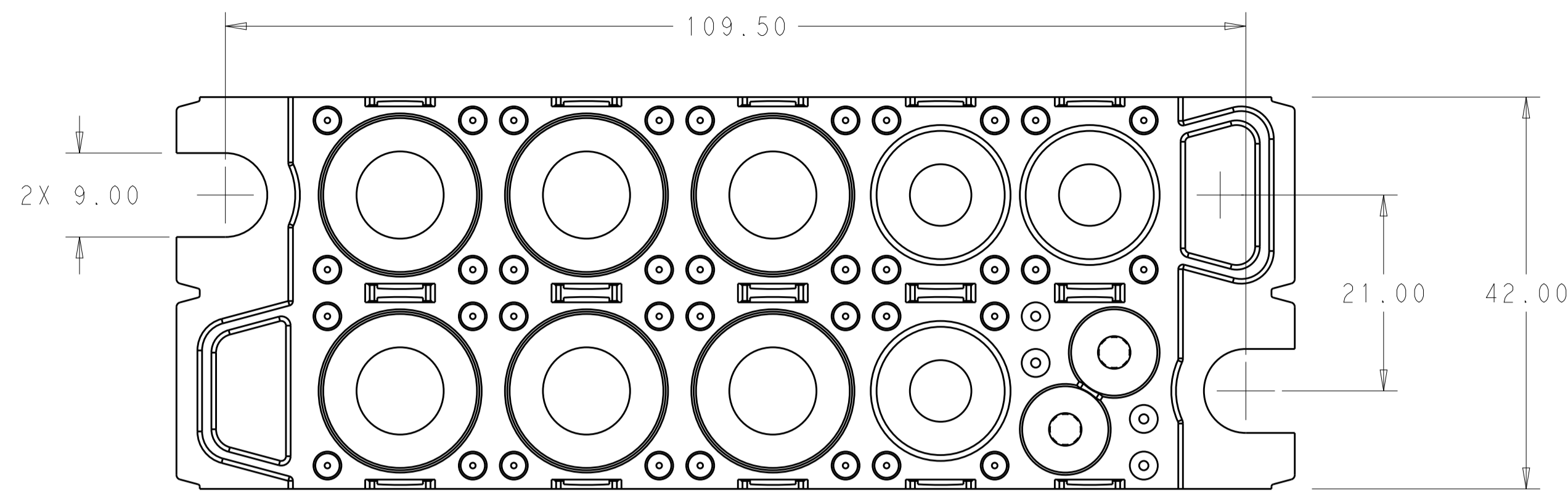
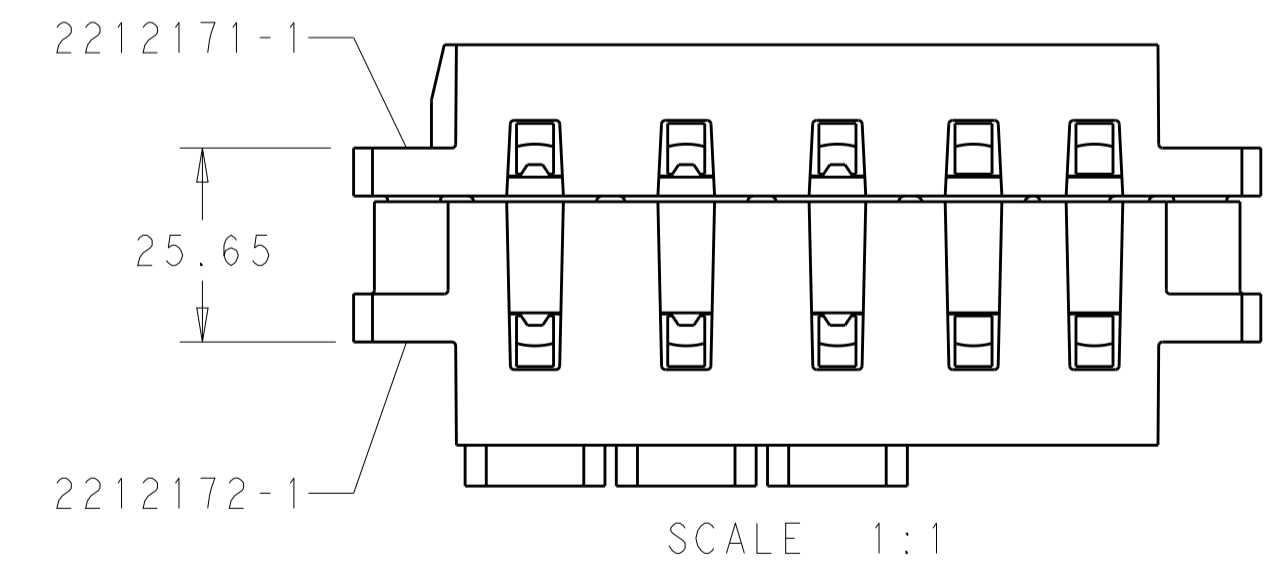
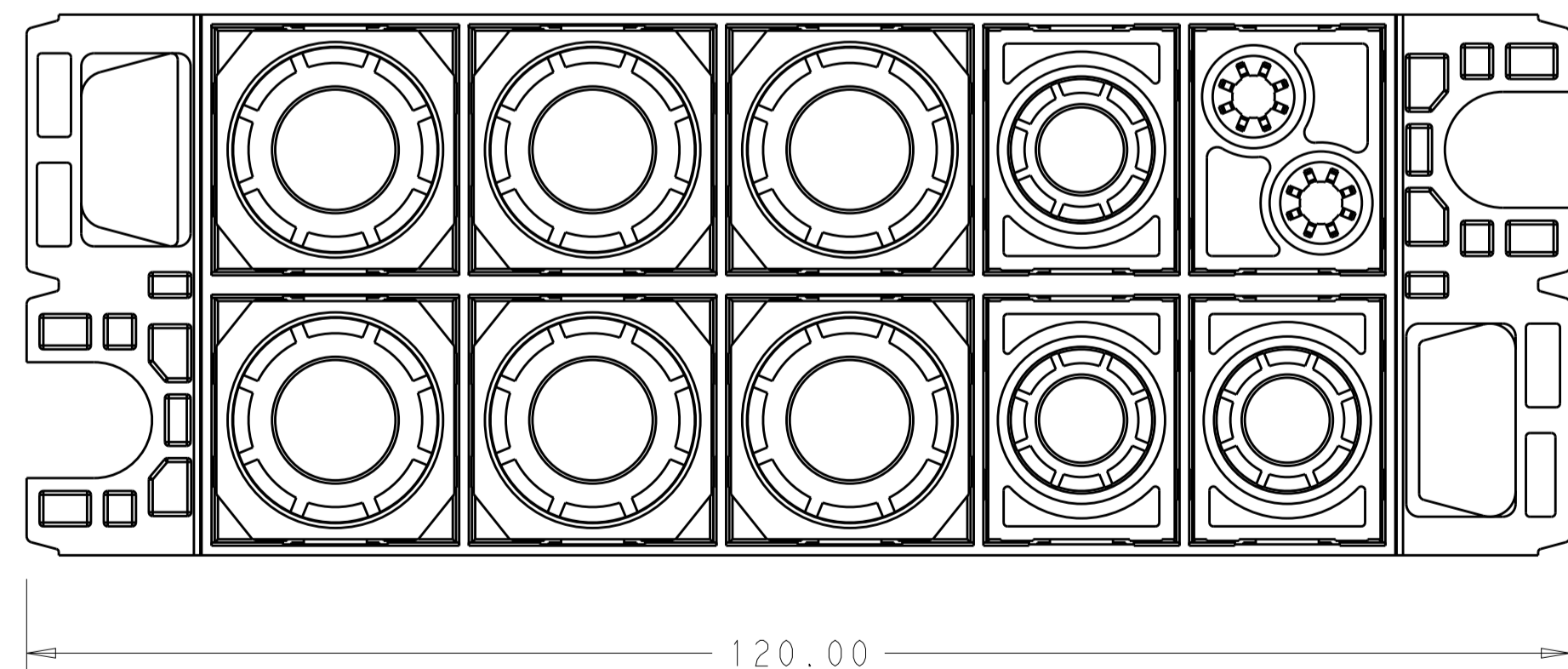
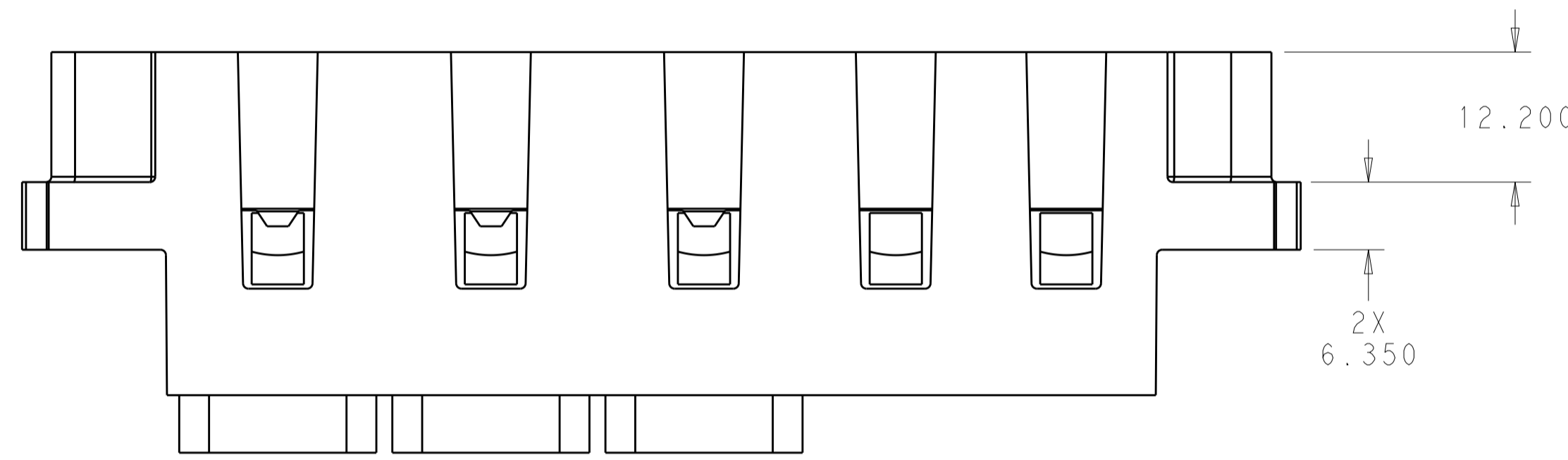
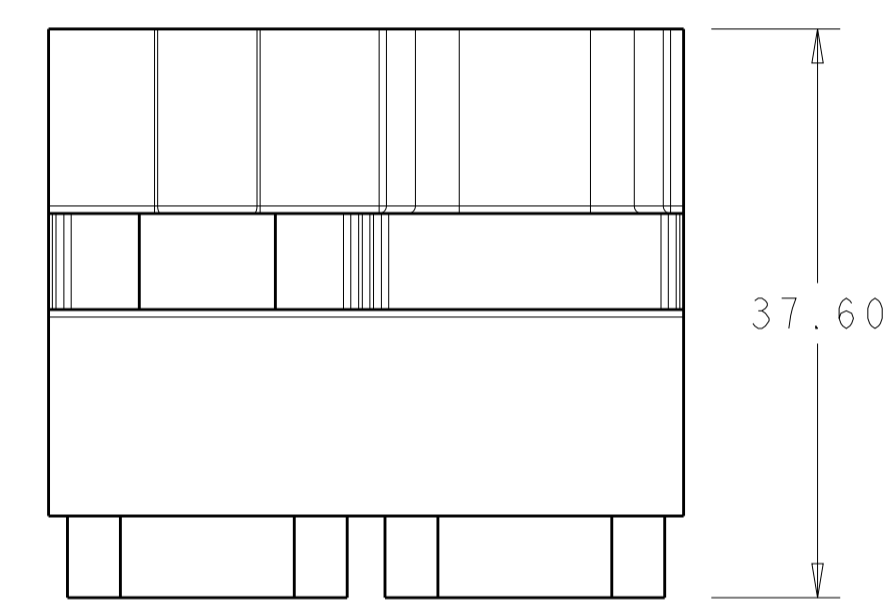
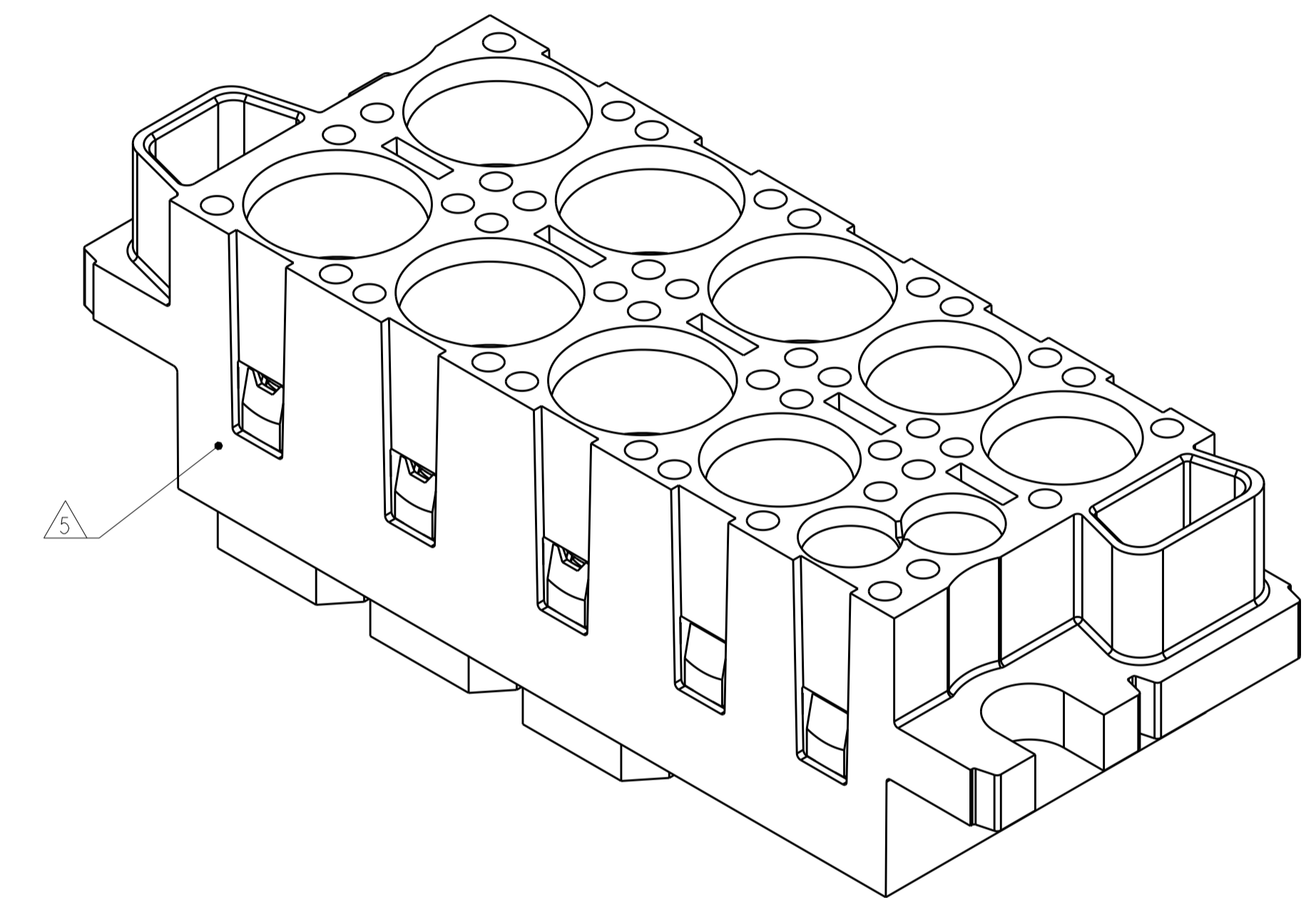


LOC		DIST		REVISIONS			
P	LTN	DESCRIPTION	DATE	DWN	APVD		
2		STANDARDIZE DWG	11FEB2015	RT	EW		



- 1 HOUSING: THERMOPLASTIC, COLOR BLACK, FLAMMABILITY RATING UL 94 V-0.
- 2 THIS ASSEMBLY TO MATE WITH TEC PART NUMBER 2212171-1.
- 3. RECOMMENDED SHOULDER SCREW:
 2212056, FLOAT MOUNT
 2212055, FIXED MOUNT
- 4 RECOMMENDED PANEL CUTOUT FOR FRONT PANEL MOUNT APPLICATION.
 RECOMMENDED PANEL THICKNESS 1.5 TO 1.78.
- 5 DATE CODE AND PART NUMBER IN APPROXIMATE AREA SHOWN.



SCALE 1:1

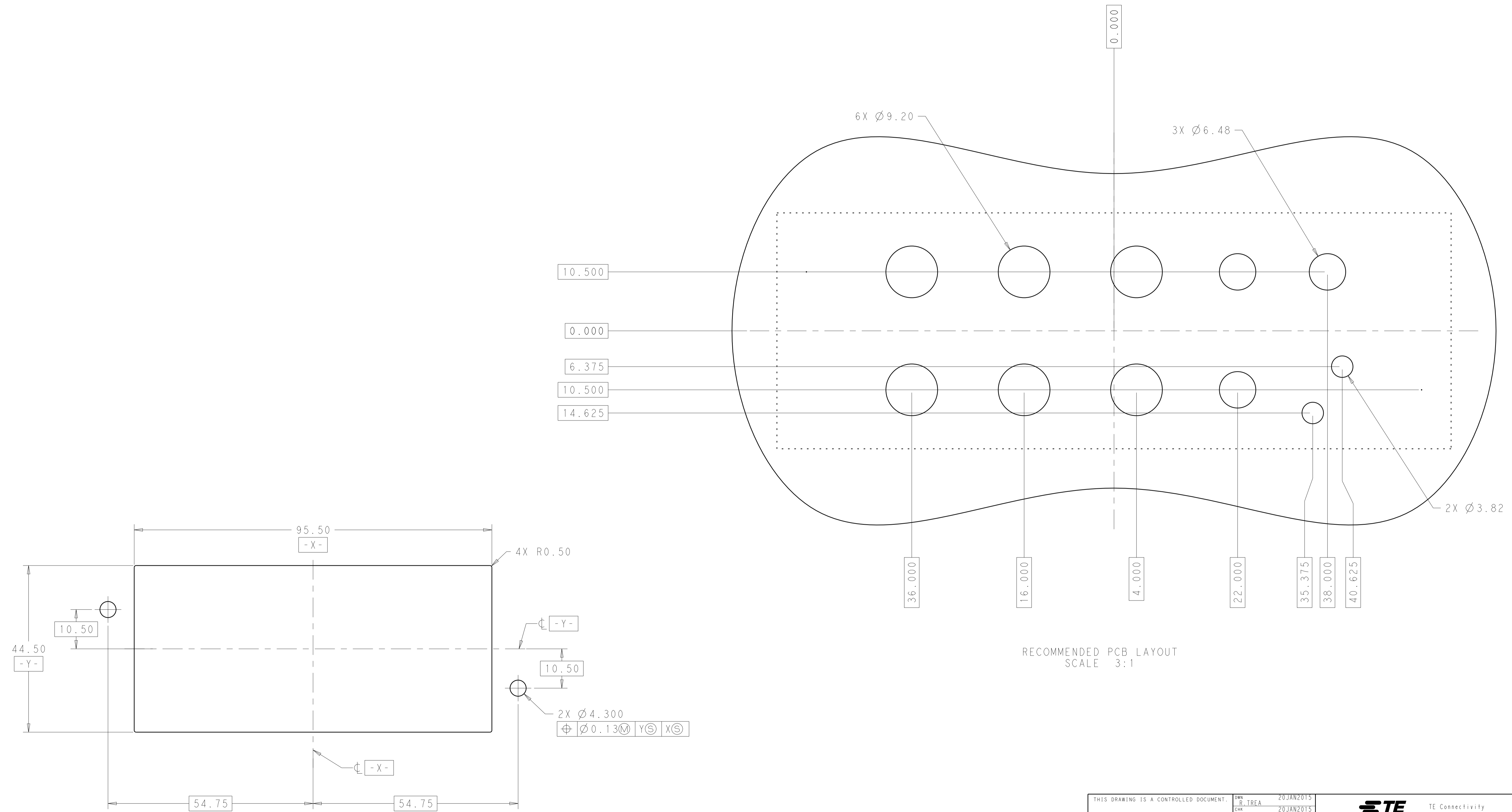
FULLY MATED ASSEMBLIES 2

CONNECTOR, PIN, FORGE 6x#0,3x#4,1x#8,0x#12,0x#22	2212172-1
DESCRIPTION	PART NO.

THIS PRINT IS
PRELIMINARY
 UNQUALIFIED PRODUCT
 CONTACT PRODUCT ENGINEERING
 BEFORE USING THIS PRINT

THIS DRAWING IS A CONTROLLED DOCUMENT.		DWN R. IRENA 20JAN2015	NAME CONNECTOR, PIN, FORGE 6x#0,3x#4,1x#8,0x#12,0x#22 CONFIGURATION	
DIMENSIONS: mm		CHK E. WICKES 20JAN2015	RESTRICTED TO	
TOLERANCES UNLESS OTHERWISE SPECIFIED:		APVD S. STRICKLER 20JAN2015	SCALE 2:1 SHEET 1 OF 2 REV 2	
0 PLC ±N/A		PRODUCT SPEC	A100779C=2212172	
1 PLC ±N/A		108-2323		
2 PLC ±0.25		APPLICATION SPEC		
3 PLC ±0.13		114-13299		
4 PLC ±N/A		WEIGHT		
ANGLES ±N/A		Customer Drawing		
FINISH				

LOC		DIST		REVISIONS			
P	LTN	DESCRIPTION	DATE	DMN	APVD		
-	-	SEE SHEET 1	-	-	-		



RECOMMENDED PCB LAYOUT
SCALE 3:1

RECOMMENDED PANEL CUTOUT
SCALE 2:1

THIS DRAWING IS A CONTROLLED DOCUMENT.		DMN R. IREA	20JAN2015	TE Connectivity
DIMENSIONS:		CHK E. WICKES	20JAN2015	
mm	TOLERANCES UNLESS OTHERWISE SPECIFIED:	APVD S. STRICKLER	20JAN2015	NAME CONNECTOR, PIN, FORGE
	0 PLC ±N/A	PRODUCT SPEC	108-2323	6x#0, 3x#4, 1x#8, 0x#12, 0x#22
	1 PLC ±N/A	APPLICATION SPEC	114-13299	CONFIGURATION
	2 PLC ±0.25	SIZE	A1	RESTRICTED TO
	3 PLC ±0.13	CAGE CODE	00779	
	4 PLC ±N/A	DRAWING NO	C=2212172	
	ANGLES ±N/A	WEIGHT		
	FINISH ±N/A	Customer Drawing		
MATERIAL		SCALE	1:1	SHEET 2 OF 2
		REV	2	