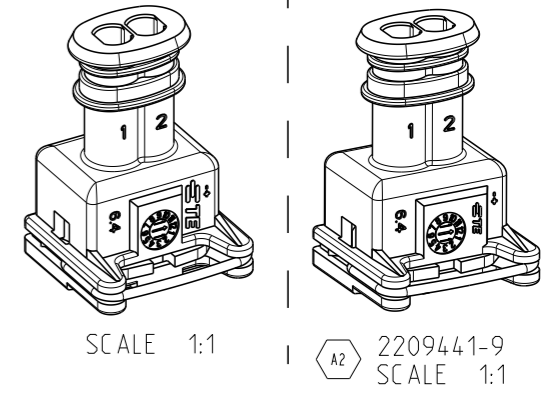
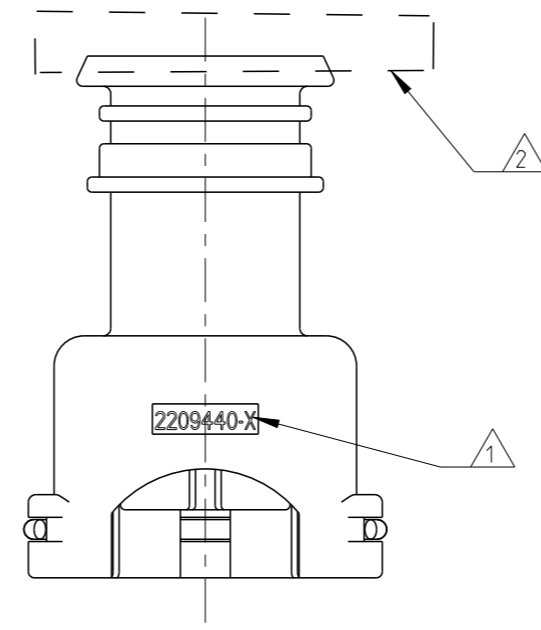
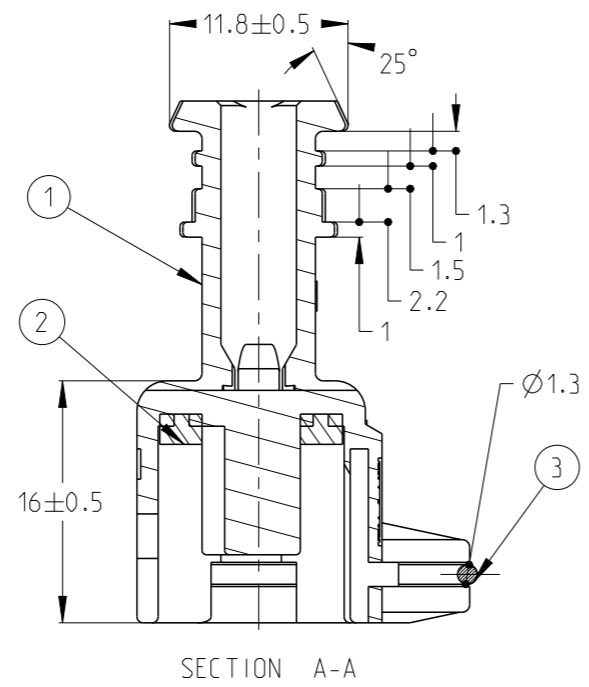
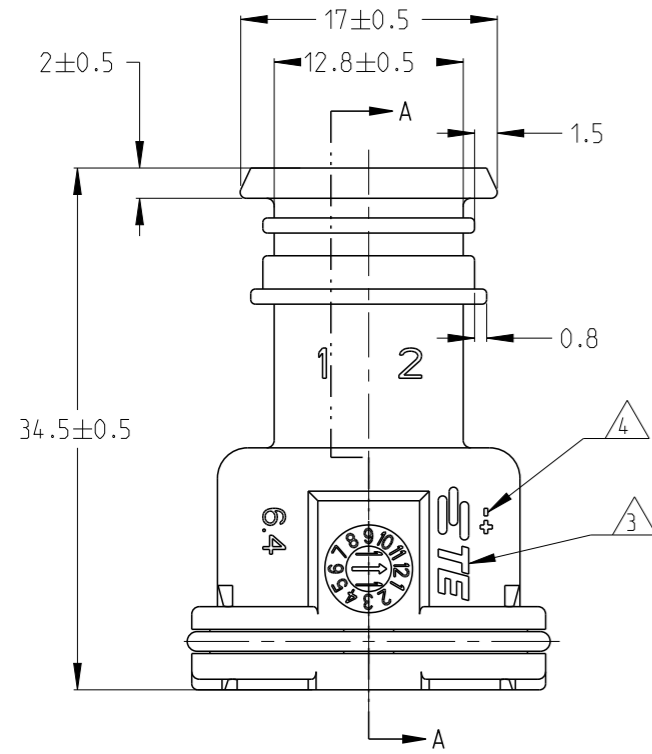


THIS DRAWING IS UNPUBLISHED. RELEASED FOR PUBLICATION 20  
 © COPYRIGHT 20 TE CONNECTIVITY ALL RIGHTS RESERVED.

LOC ES DIST 00

REVISIONS					
P	LTR	DESCRIPTION	DATE	DWN	APVD
	A	RELEASED	23JAN13	C. C	I. Y
	A1	REVISED ECR-13-019157	17DEC13	C. C	I. Y
	A2	REVISED ECR-14-005732	29AUG14	C. C	I. Y
	B	REVISED ECR-15-006618	02JUL2015	C. C	SY.W



- NOTES:
- 6) DIFFERS FROM 2209441-1 ONLY FOR PACKING DETAILS
  - 7) APPLICABLE TERMINAL 929939-X OR 929937-X; SINGLE WIRE SEAL 828904-1, 828905-1, 282536-1; CAVITY PLUG 828906-2
  - 8) INTERFACE DRAWING SEE DRAWING C-282189 PAGE 2, 2209441-9 DIFFERENCE SHOULD REFER TO THIS PAGE

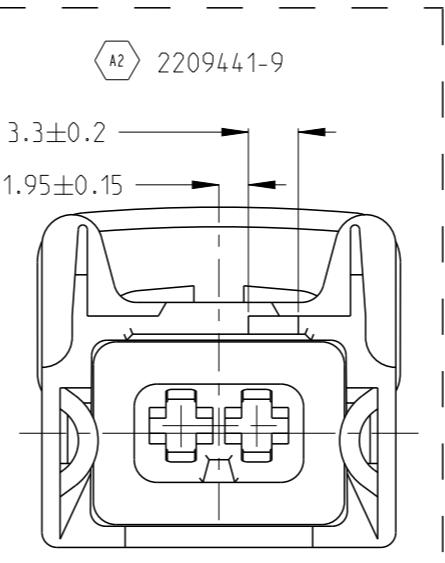
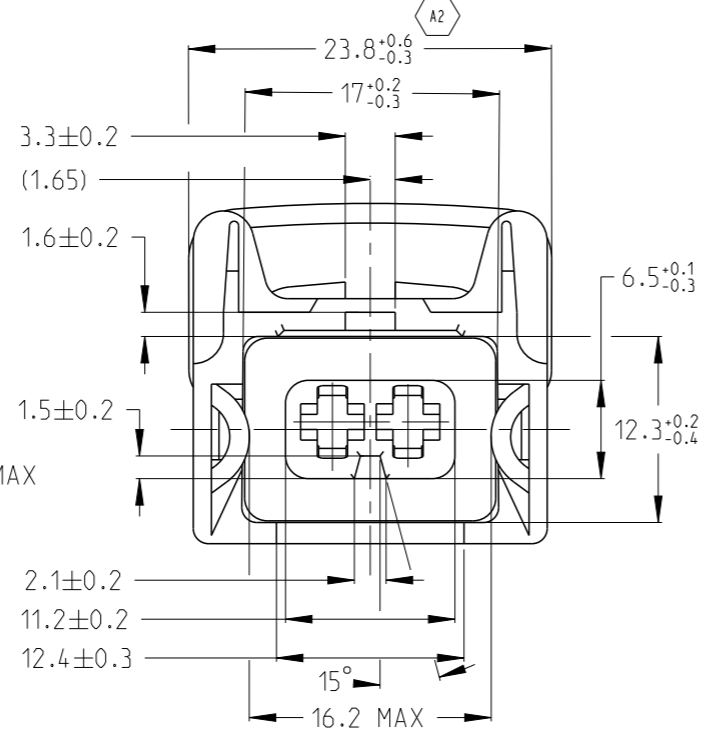
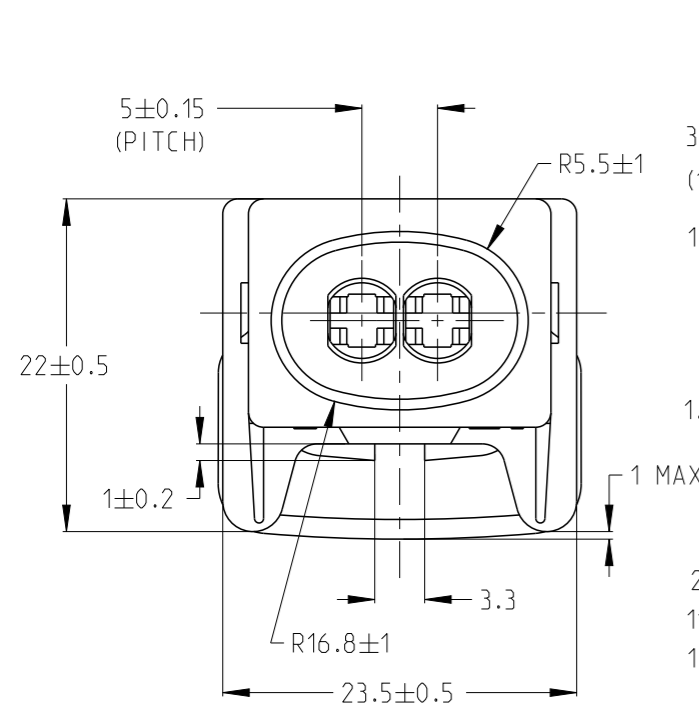


TABLE 1

ITEM	1	1	1	1	1	1	1	1	1	DESCRIPTION	
3										SPRING	
2										SEALING	
			1							2P, HSG, BLACK (TYPE A)	
				1						2P HSG, RED (TYPE A)	
					1					2P, HSG, ORANGE (TYPE A)	
						1				2P HSG, BROWN (TYPE A)	
							1			2P HSG, BLUE (TYPE A)	
								1		2P HSG, GREEN (TYPE A)	
									1	2P, HSG, LIGHT GREY (TYPE A)	
									1	2P HSG, SQUIRREL GREY (TYPE A)	
									1	2P HSG, BLACK (TYPE A)	
	1-2209441-1	2209441-9	2209441-8	2209441-7	2209441-6	2209441-5	2209441-4	2209441-3	2209441-2	2209441-1	DESCRIPTION

TABLE 2  
DIFFERENCE BETWEEN 2209441 AND 282189

ITEMS	2209441	282189
HSG PN	2209440-X 1 (-X FOLLOW TABLE 1)	282257-X
STRUCTURE	2 NO CLAW AND CLIPS	WITH CLAW AND CLIPS
TE LOGO	3 TE LOGO	TYCO OR AMP LOGO
LOCATION CODE	4 - +	○ ○ ○
HSG MATERIAL	5) PBT GF30	PA66 GF7%

THIS DRAWING IS A CONTROLLED DOCUMENT.

DIMENSIONS: mm

TOLERANCES UNLESS OTHERWISE SPECIFIED:

0 PLC ±  
 1 PLC ±0.3  
 2 PLC ±  
 3 PLC ±  
 4 PLC ±  
 ANGLES ±2°  
 FINISH

MATERIAL

DWN C. Chen 22JAN2013  
 CHK J. Chang 23JAN2013  
 APVD L. Yin 23JAN2013  
 PRODUCT SPEC 108-20091  
 APPLICATION SPEC  
 WEIGHT  
 CUSTOMER DRAWING

**TE** TE Connectivity

NAME 2WAYS SPLASH PROOF CONNECTOR HOUSING ASSY

SIZE A3 CAGE CODE 00779 DRAWING NO C-2209441 RESTRICTED TO -

SCALE 2:1 SHEET 1 OF 1 REV B