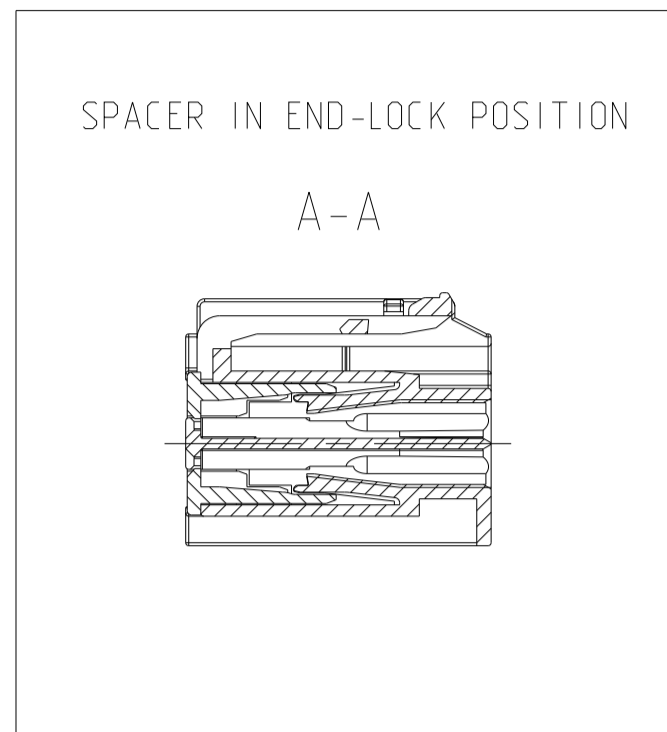
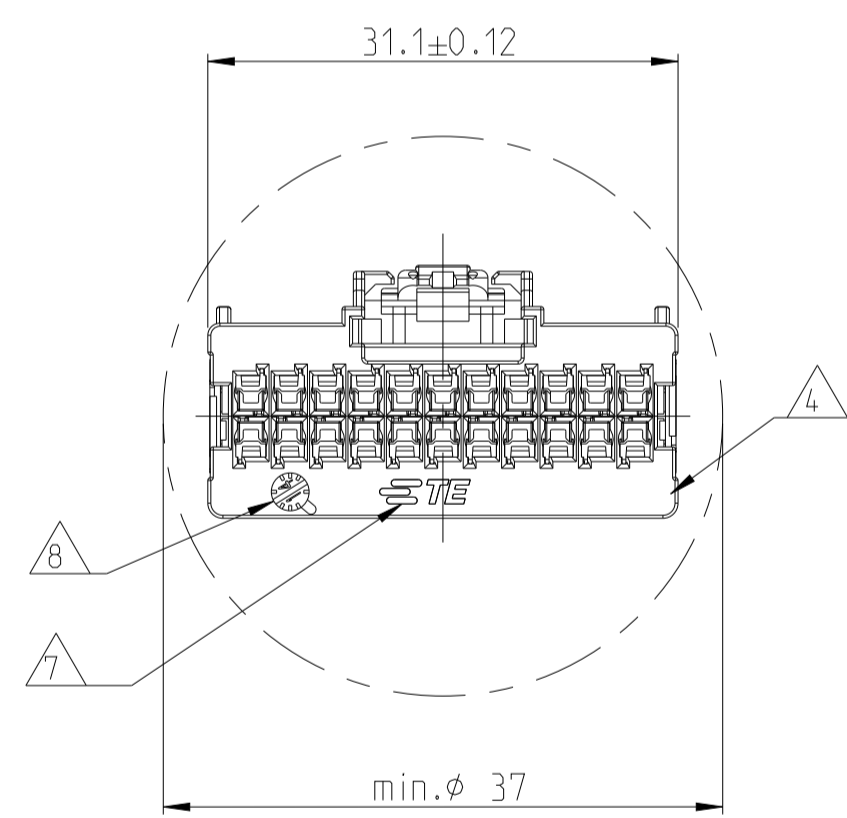
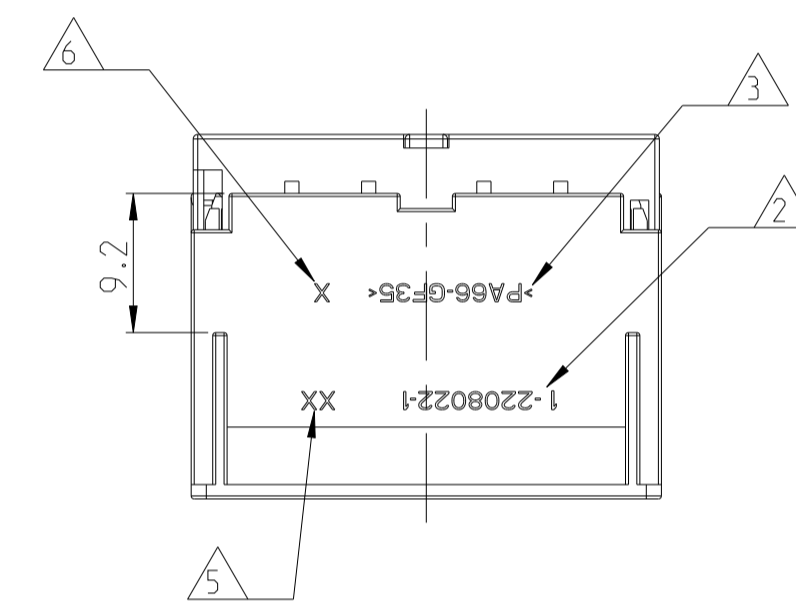
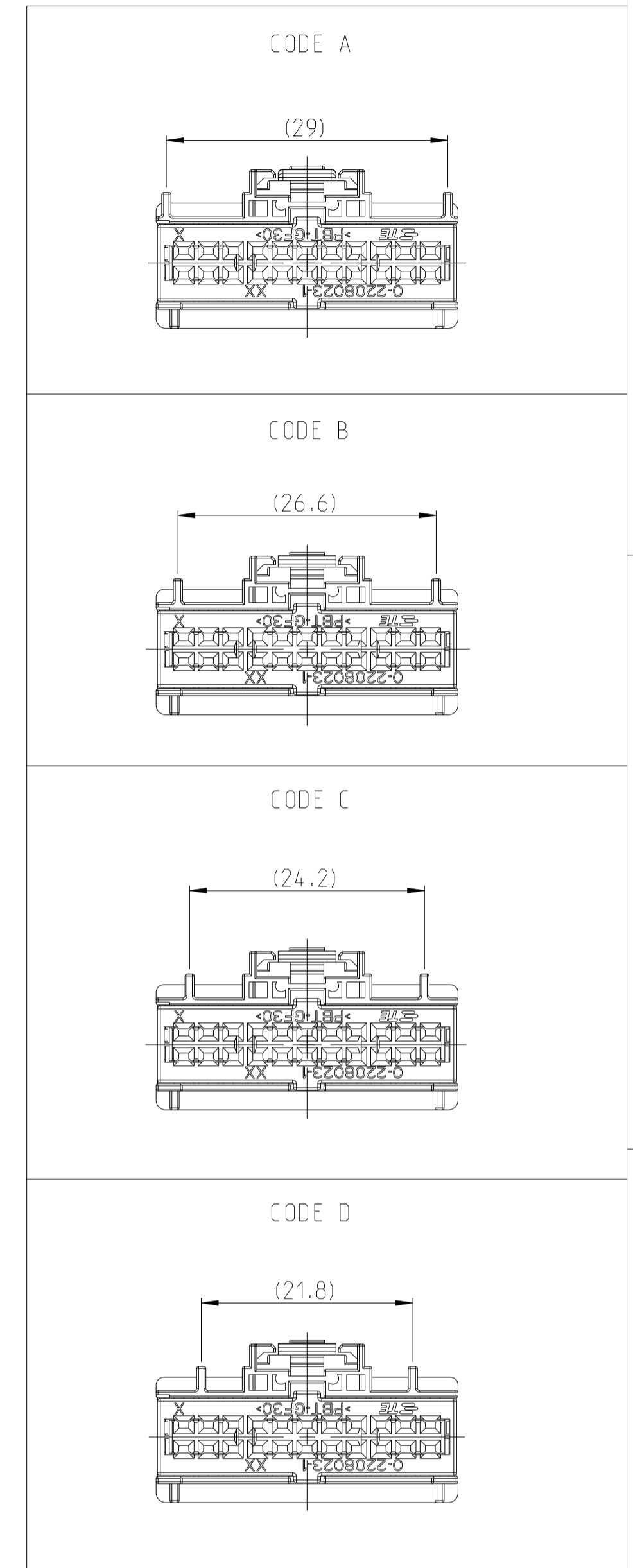


REVISIONS				
REV	LTN	DESCRIPTION	DATE	APPROVED
A		NEW DRAWING	03MAY2012	MK GS
B		PCN-E-14-017643	27NOV2014	MK GS
B1		PCN-E-15-013467	14SEP2015	SH GS
B2		PCN-23-184330 (ADDITIONAL PARTS WITH CPA)	17AUG2023	CW KHR

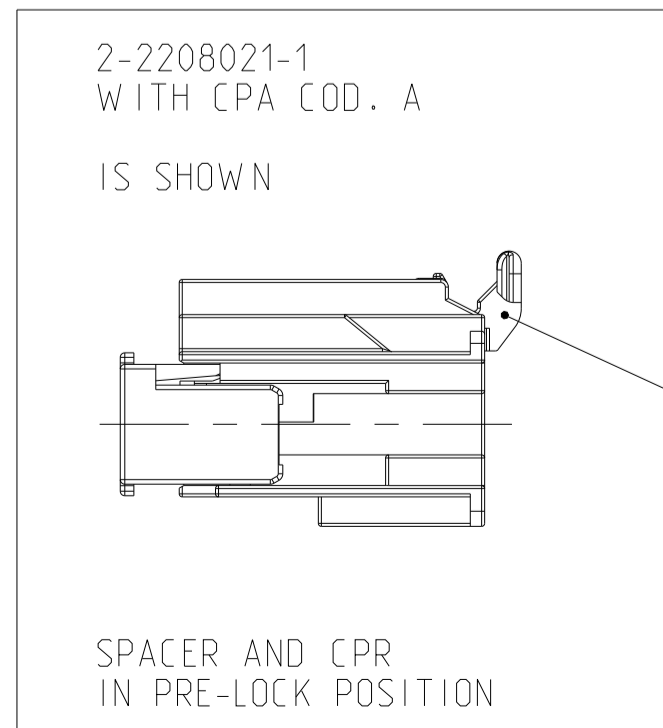
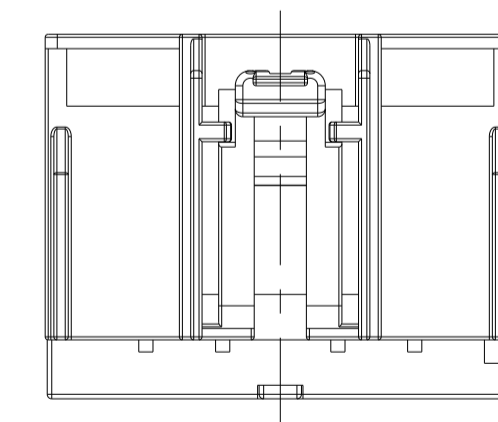
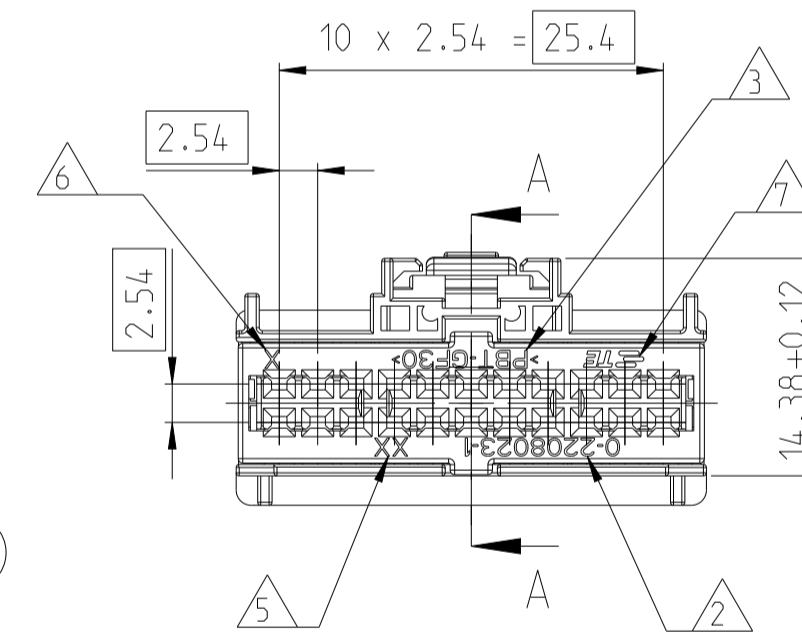
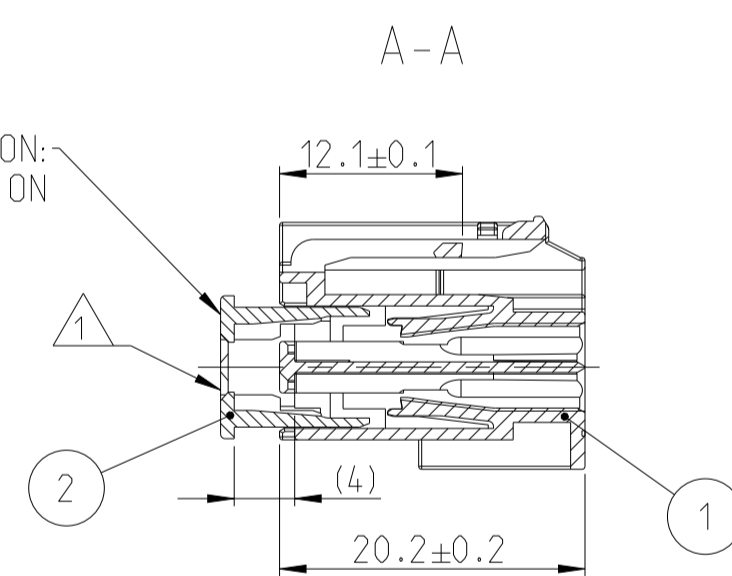


NOTE:

- 1 SPACER IN PRE-LOCK POSITION
- 2 PART NUMBER
- 3 MATERIAL IDENTIFICATION
- 4 TERMINAL POSITION NUMBERS
- 5 PRODUCT REVISION LEVEL
- 6 MOLD CAVITY NUMBER
- 7 COMPANY LOGO
- 8 PRODUCTION DATE
- 9 PACKAGING: CONNECTOR ASSEMBLIES TO BE TRAY PACKED IN CARDBOARD BOX



DELIVERY CONDITION:  
SPACER IN PRE-LOCK POSITION



ASSY P/N	REV	QUANTITY	MATERIAL	DESCRIPTION	COLOR	ITEM NO
2-2208021-4 WITH C.A. COD. D	B	1	PBT-GF20	CPA	RED	3
2-2208021-3 WITH CPA COD. C	B	1	PBT-GF30	SPACER	RED	2
2-2208021-2 WITH CPA COD. B	B	1	PA66-GF35	2x11 POS. FEMALE HSG. COD. D	GREEN	1
1-2208021-1 WITH CPA COD. A	B	1	PA66-GF35	2x11 POS. FEMALE HSG. COD. C	GREY	1
1-2208021-4 COD. D	B	1	PA66-GF35	2x11 POS. FEMALE HSG. COD. B	NATURE	1
1-2208021-3 COD. C	B	1	PA66-GF35	2x11 POS. FEMALE HSG. COD. A	BLACK	1
1-2208021-2 COD. B	B	1				
1-2208021-1 COD. A	B	1				

THIS DRAWING IS A CONTROLLED DOCUMENT.		DWN: M. Kressmann 03MAY2012	TE Connectivity
DIMENSIONS: mm		CHK: G. Steinbach 04MAY2012	
TOLERANCES UNLESS OTHERWISE SPECIFIED:		APVD: G. Mumper 04MAY2012	NAME: 22 POS. 0.64 GENERATION Y REC. HSG. ASSY SIZE: 114-94258 CAGE CODE: 00779 DRAWING NO: C=2208021
0 PLC ±0.3 1 PLC ±0.3 2 PLC ±0.3 3 PLC ±0.3 4 PLC ±0.3 ANGLES ±1		PRODUCT SPEC: 108-94776 APPLICATION SPEC: 114-94258 WEIGHT: - CUSTOMER DRAWING: -	
MATERIAL: -		RESTRICTED TO: -	SCALE: 5:1 SHEET: 1 OF 1 REV: B2

1-2208021-1 IS SHOWN