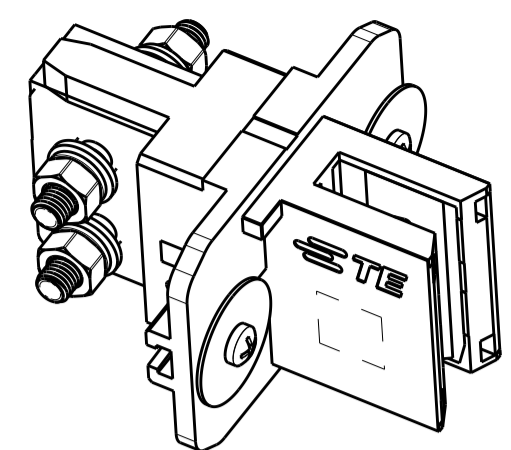
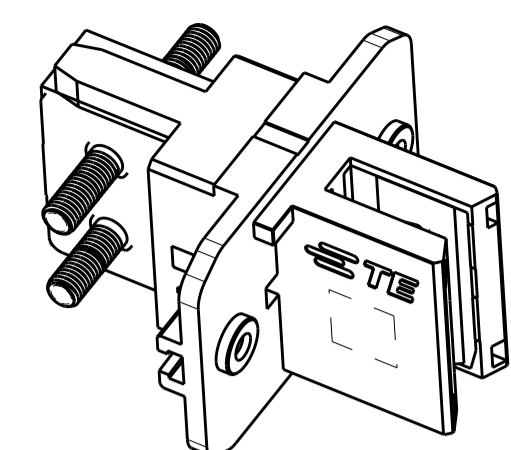


REVISIONS				
P	LTN	DESCRIPTION	DATE	OWN APVD
7		DRAWING RELEASE	13SEP2017	ML SZ
A1		DRAWING STATUS UPDATED	01FEB2018	ML SZ
A2		RELEASE NEW PN -2	05AUG2020	ML SZ

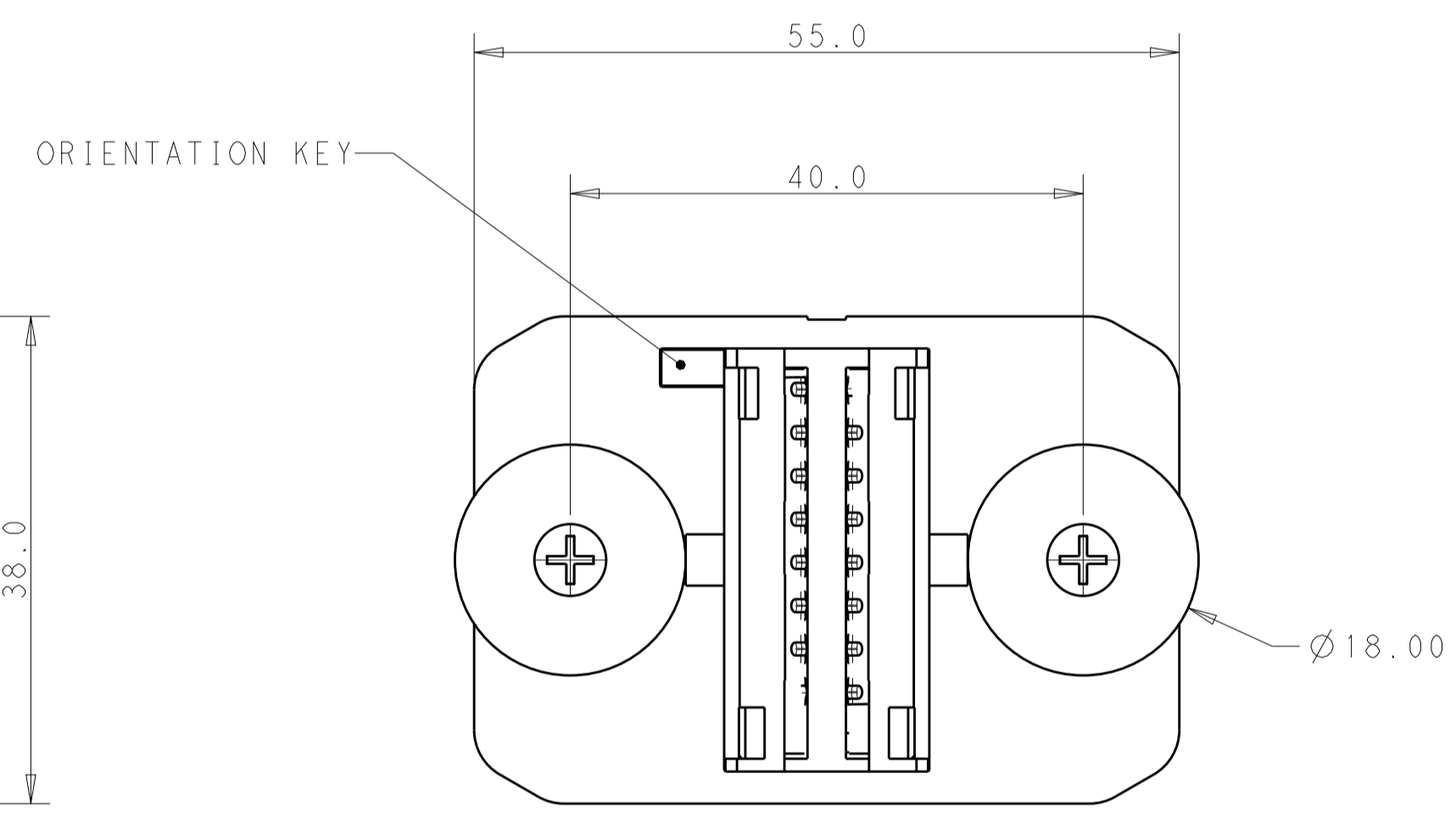
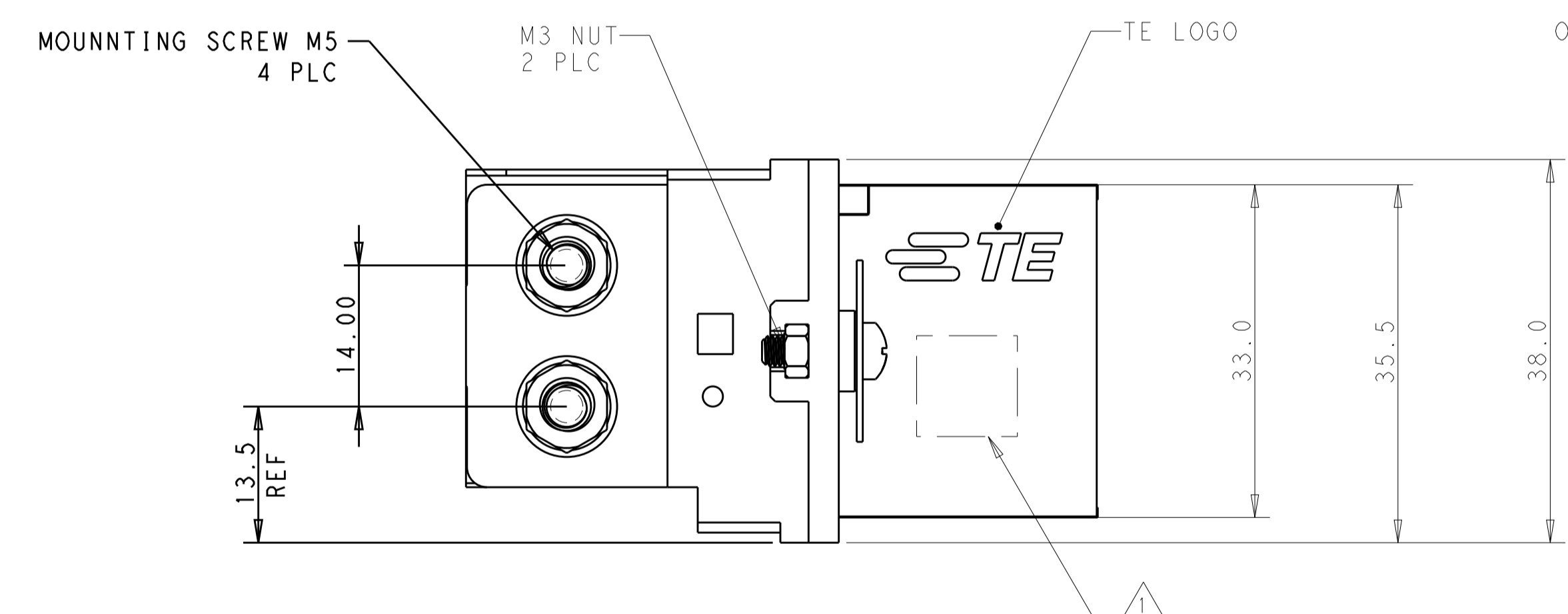
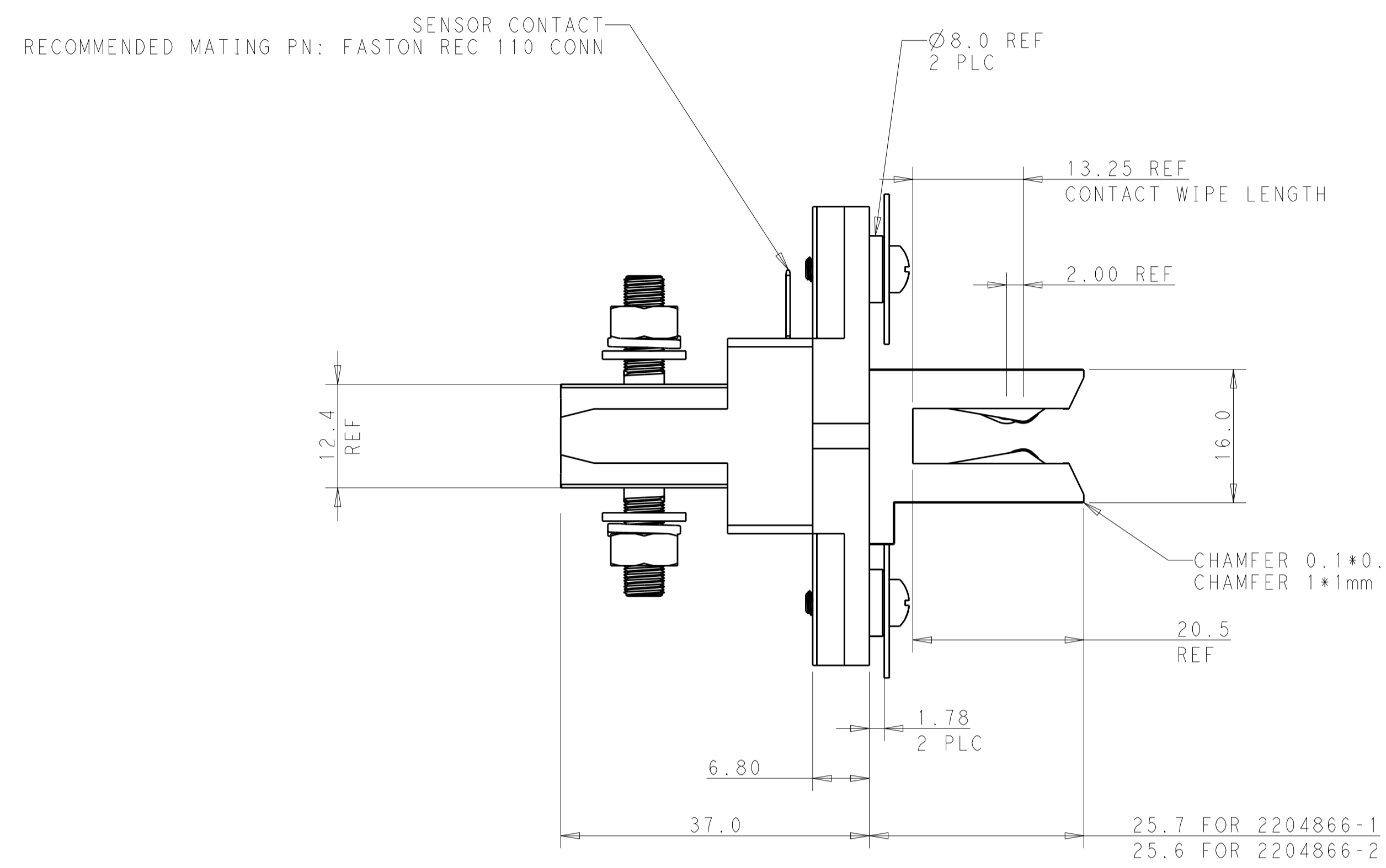


SCALE 1:1
 REFERENCE PRODUCT VIEW
 P/N: 2204866-1



SCALE 1:1
 REFERENCE PRODUCT VIEW
 P/N: 2204866-2

- NOTES: UNLESS OTHERWISE SPECIFIED
- 1. PART NUMBER AND DATE CODE TO BE MARKED IN AREA SHOWN
 - 2. MATERIAL:
 HOUSING: THERMO PLASTIC, BLACK, UL94 V-0
 CONTACT: HIGH CONDUCTIVITY COPPER ALLOY.
 - 3. PLATING:
 SILVER PLATING OVER NICKEL BASE-PLATED ON CONTACT INTERFACE
 - 4. RECOMMENDED BUS BAR BOARD:
 MATERIAL: COPPER C10100/C10200/C11000
 PLATING: BUS BAR BOARD PLATING SHALL BE MATCHING WITH CONNECTOR PLATING.
 DETAIL SPECIFICATION PLEASE REFER TO SHEET 2 AND APPLICATION SPECIFICATION.
 - 5. PANEL BOARD:
 RECOMMENDED PANEL BOARD LAYOUT PLEASE REFER TO THE SHEET 3.
 THE SCREW M3 SHALL BE WITH LOCTITE DRI-LOCK OR EQUIVALENT IN MOUNTING AREA.
 RECOMMENDED TORQUE OF M3 SCREW : 3.9 Kgf.cm
 - 6. PCB OR BUS BAR BOARD IS RECOMMENDED TO SCREW-MOUNT WITH CONNECTOR.
 RECOMMENDED TORQUE OF M5 SCREW : 15-20 Kgf.cm
 - 7. ALL THE HARDWARE SHALL BE PACKAGED WITH CONNECTOR IN BULK. HARDWARE LIST SHOWN IN THE SHEET 2.



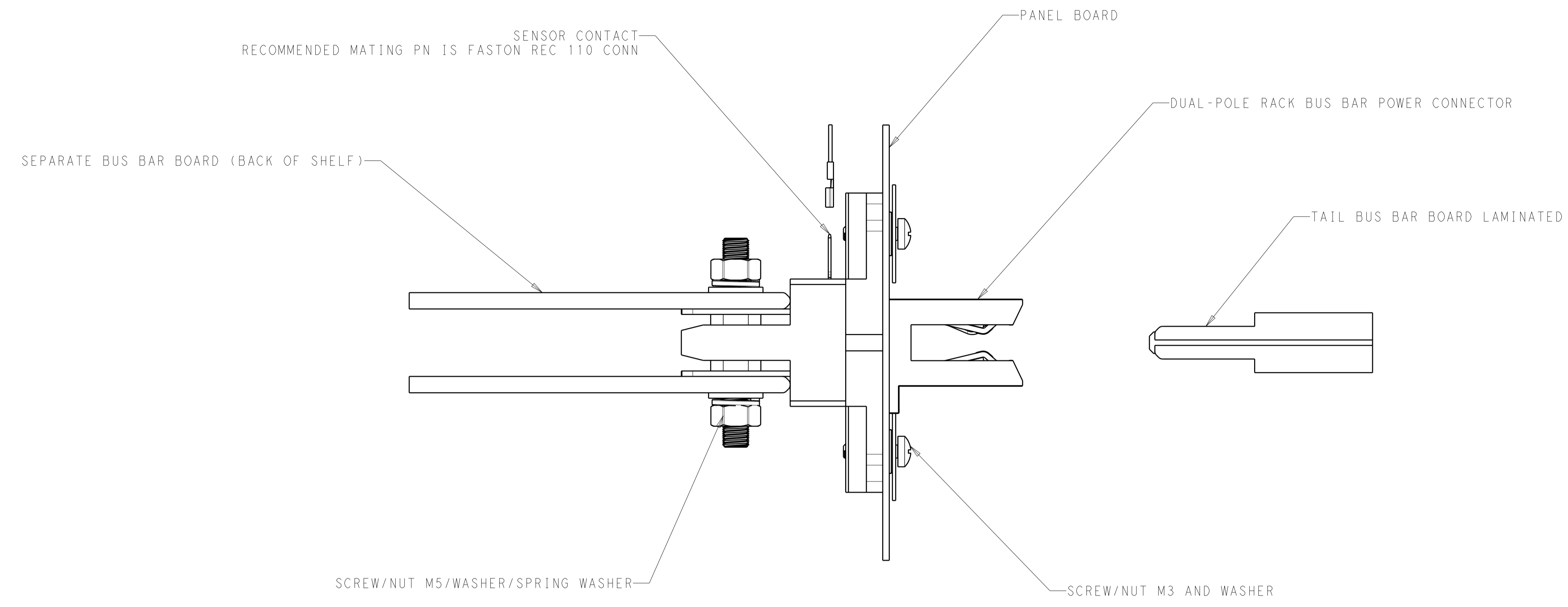
SILVER PLATING	3um SILVER PLATING OVER 1.25um MIN. NICKEL BASE-PLATED	3.0±0.05	6.0±0.20	BB500A RACK BUS BAR DUAL POWER CONNECTOR	2204866-2
SILVER PLATING	3um SILVER PLATING OVER 1.25um MIN. NICKEL BASE-PLATED	3.0±0.05	6.0±0.20	BB500A RACK BUS BAR DUAL POWER CONNECTOR	2204866-1
CONNECTOR PLATING	MATING BLADE PLATING	SEPERATE BUS BAR THICKNESS	MATING BLADE THICKNESS	DESCRIPTION	PART NUMBER

THIS DRAWING IS A CONTROLLED DOCUMENT.

DIMENSIONS:	TOLERANCES UNLESS OTHERWISE SPECIFIED:	OWN: MAC LIU 10JAN2017	
mm	0 PLC ±1	CHK: SUNY ZHAO 10JAN2017	
	1 PLC ±0.5	APVD: SUNY ZHAO 10JAN2017	
	2 PLC ±0.30	NAME: CUSTOMER DRAWING	
	3 PLC ±0.150	PRODUCT SPEC: 108-128050	NAME: DUAL-POLE RACK BUS BAR POWER CONN
	4 PLC ±*	APPLICATION SPEC: 114-128051	NAME: POWER CONNECTOR
	ANGLES ±7°	SIZE: A1	RESTRICTED TO: -
MATERIAL:	FINISH:	WEIGHT: -	SCALE: 2:1
		CUSTOMER DRAWING	SHEET 1 OF 3

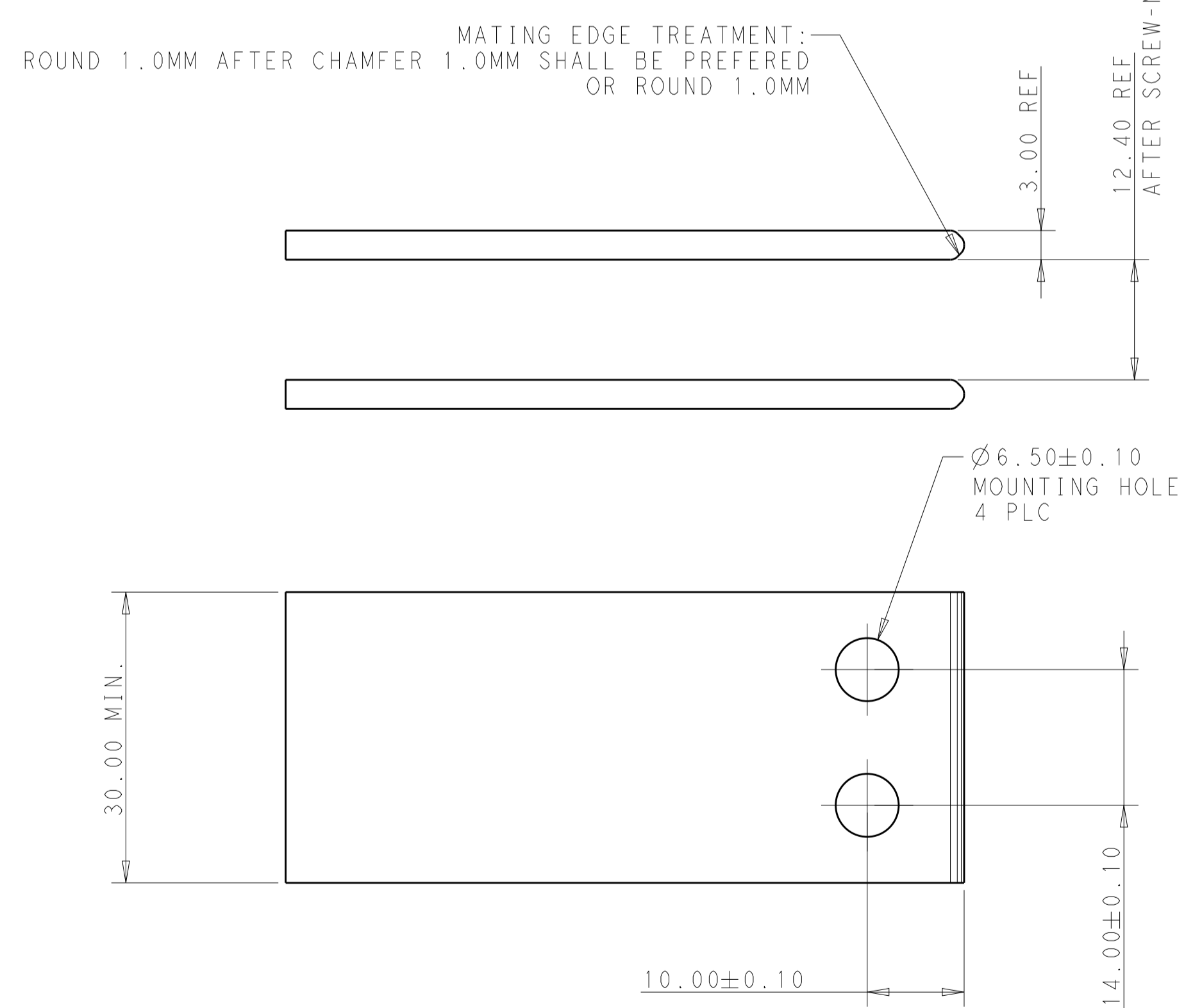
REVISIONS					
P.	LTN	DESCRIPTION	DATE	DMN	APVD
-	-	SEE SHEET 1	-	-	-

HARDWARE LIST		
ITEM	DESCRIPTION	QTY/PC
1	M5 NUT	4
2	M5 WASHER	4
3	M5 SPRING WASHER	4
4	M3 PANEL SCREW	2
5	M3 PANEL WASHER	2

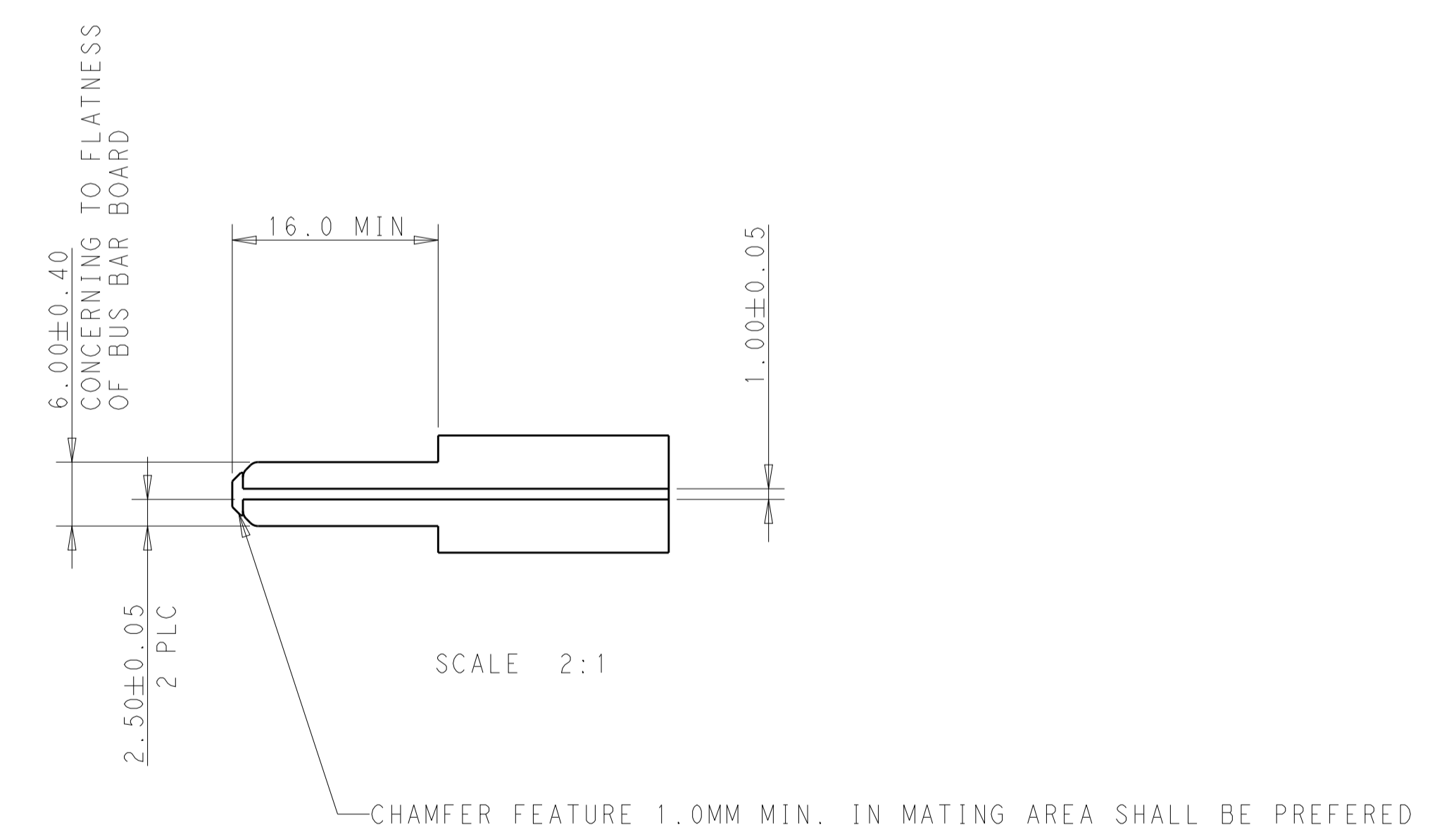


PRODUCT BOARD APPLICATION PREFERENCE VIEW
P/N: 2204866-*

SCALE 2:1



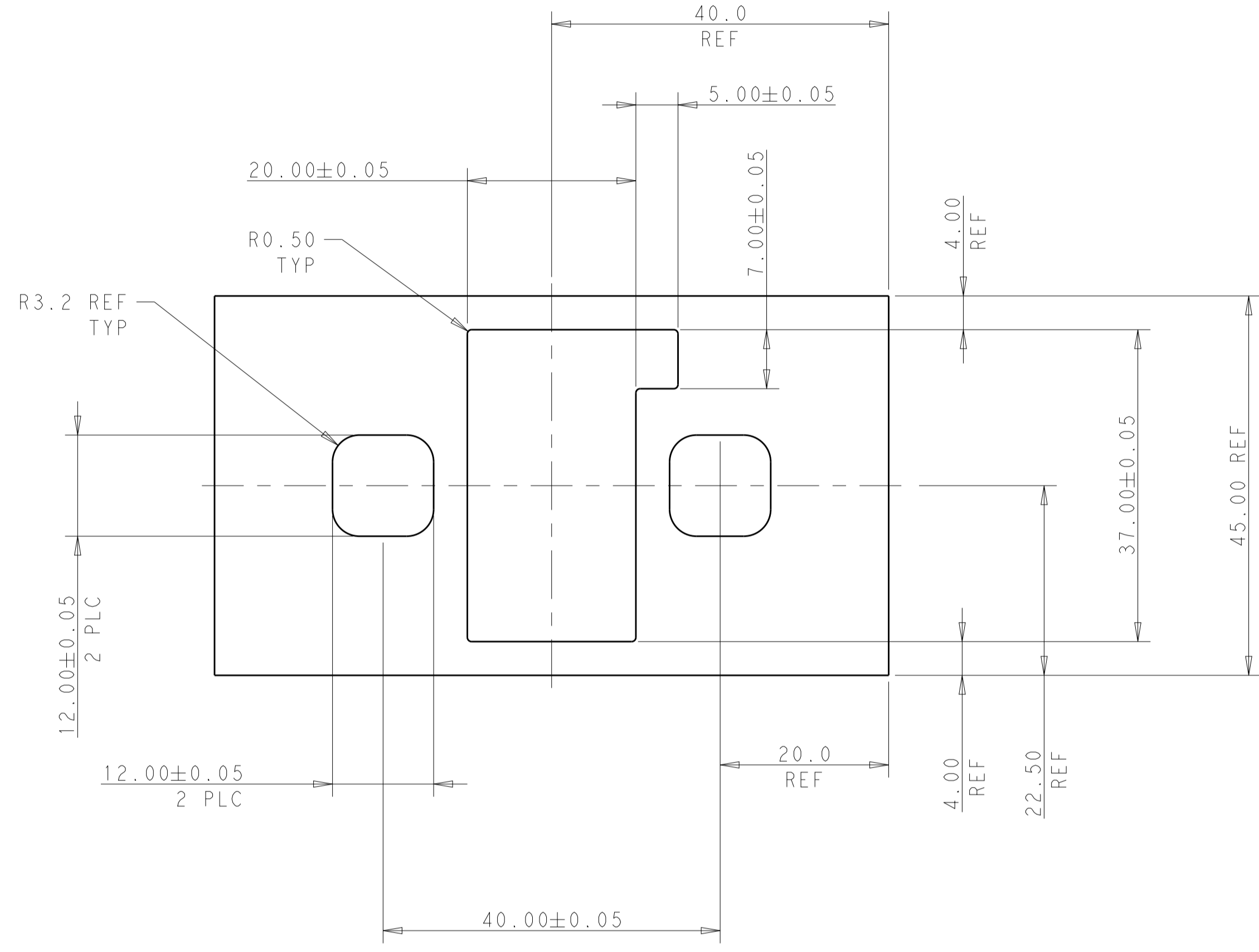
RECOMMENDED SEPARATE BUS BAR BOARD VIEW
PLATING SPEC.: 3um Sn PLATING OVER 1.27um NICKEL BASE-PLATED ON COPPER



RECOMMENDED TAIL BUS BAR BOARD VIEW
PLATING SPEC.: 3um SILVER PLATING OVER 1.27um NICKEL BASE-PLATED ON COPPER IN CONTACT AREA

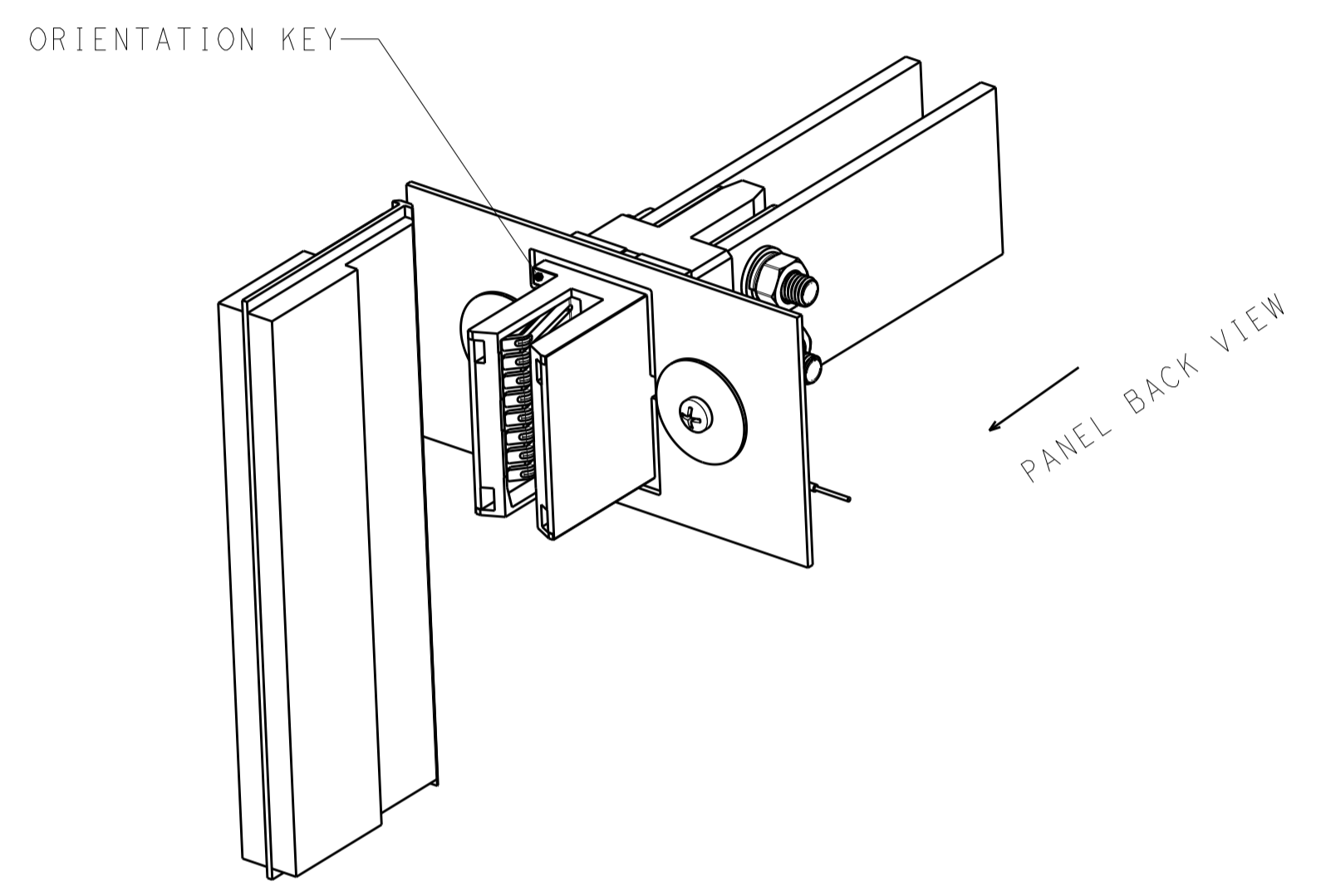
THIS DRAWING IS A CONTROLLED DOCUMENT.		DMN: MAC LIU 10JAN2017	 TE Connectivity
DIMENSIONS: mm		CHK: SUNY ZHAO 10JAN2017	
TOLERANCES UNLESS OTHERWISE SPECIFIED:		APVD: SUNY ZHAO 10JAN2017	NAME: CUSTOMER DRAWING DUAL-POLE RACK BUS BAR POWER CONN POWER CONNECTOR
0 PLC ±1 1 PLC ±0.5 2 PLC ±0.30 3 PLC ±0.150 4 PLC ±* ANGLES ±2°		PRODUCT SPEC: 108-128050	
MATERIAL: -		APPLICATION SPEC: 114-128051	RESTRICTED TO: -
FINISH: -		WEIGHT: -	SCALE: 2:1
		CUSTOMER DRAWING	SHEET 2 OF 3

REVISIONS				
P.	LTN	DESCRIPTION	DATE	APVD
-	-	SEE SHEET 1	-	-



SCALE 2:1

REFERENCE PANEL BOARD LAYOUT BACK VIEW
 THICKNESS 1.20MM



THIS DRAWING IS A CONTROLLED DOCUMENT.		DWN: MAC LIU 10JAN2017		
DIMENSIONS: mm		CHK: SUNY ZHAO 10JAN2017		
TOLERANCES UNLESS OTHERWISE SPECIFIED:		APVD: SUNY ZHAO 10JAN2017	NAME: CUSTOMER DRAWING	
0 PLC ±1		PRODUCT SPEC: 108-128050	DUAL-POLE RACK BUS BAR POWER CONN	
1 PLC ±0.5		APPLICATION SPEC: 114-128051	POWER CONNECTOR	
2 PLC ±0.30		SIZE: A1	CAGE CODE: 2204866	RESTRICTED TO: -
3 PLC ±0.150		SCALE: 2:1	SHEET: 3 OF 3	REV: A2
4 PLC ±*	FINISH: ±2°	CUSTOMER DRAWING		