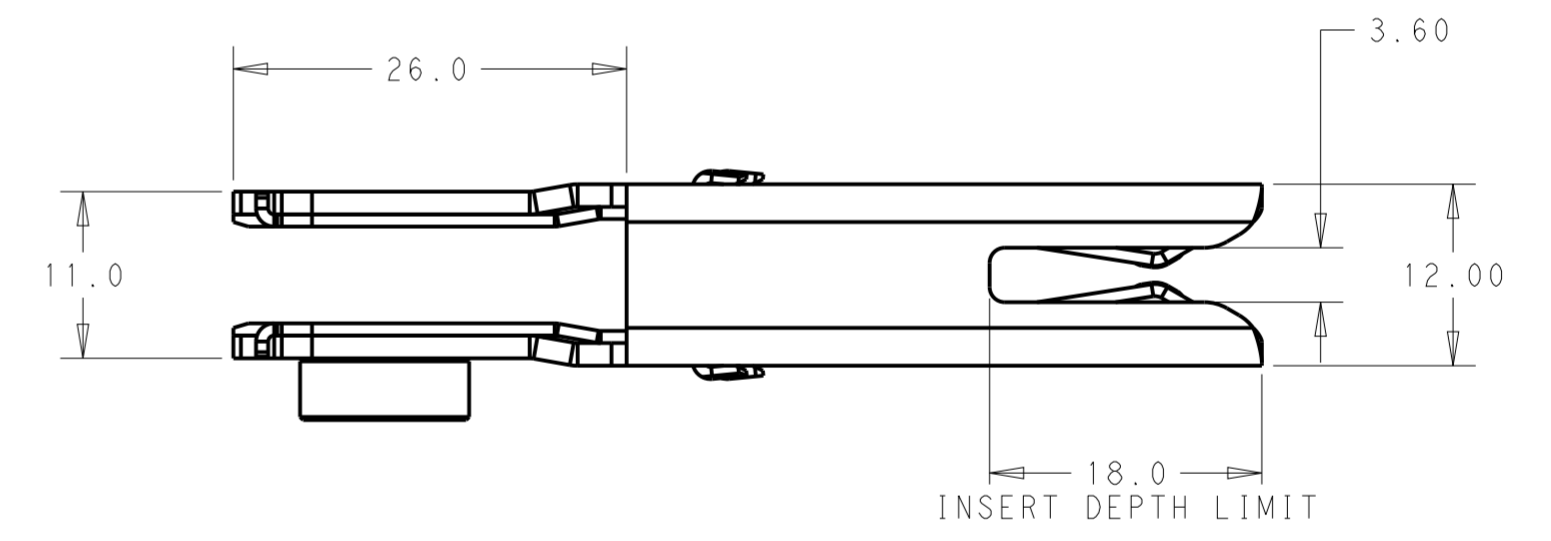
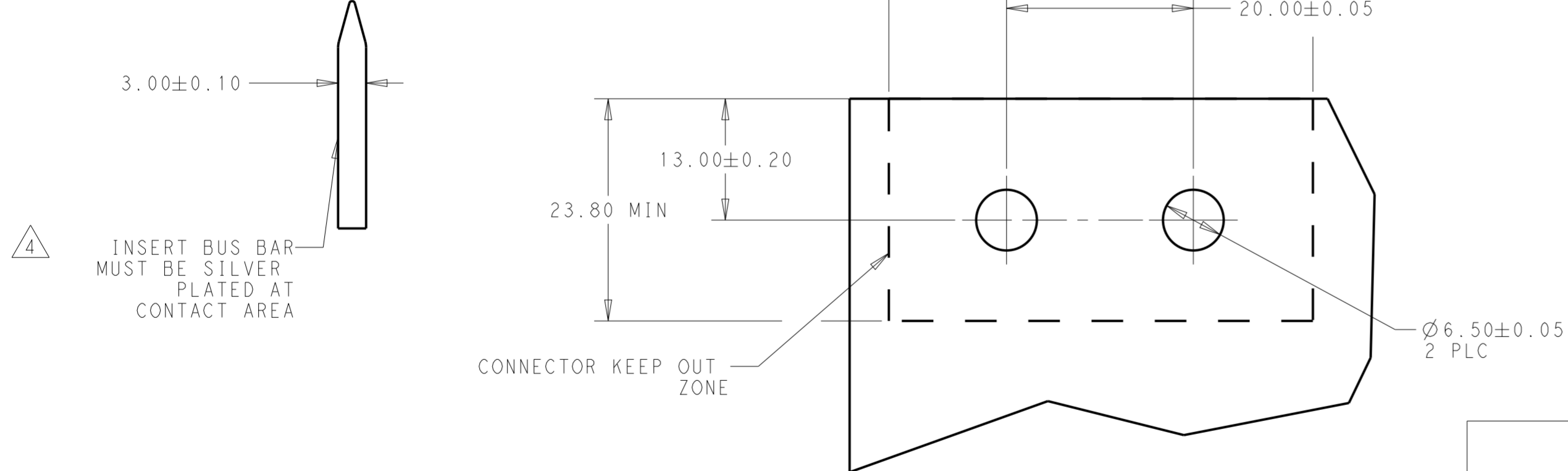
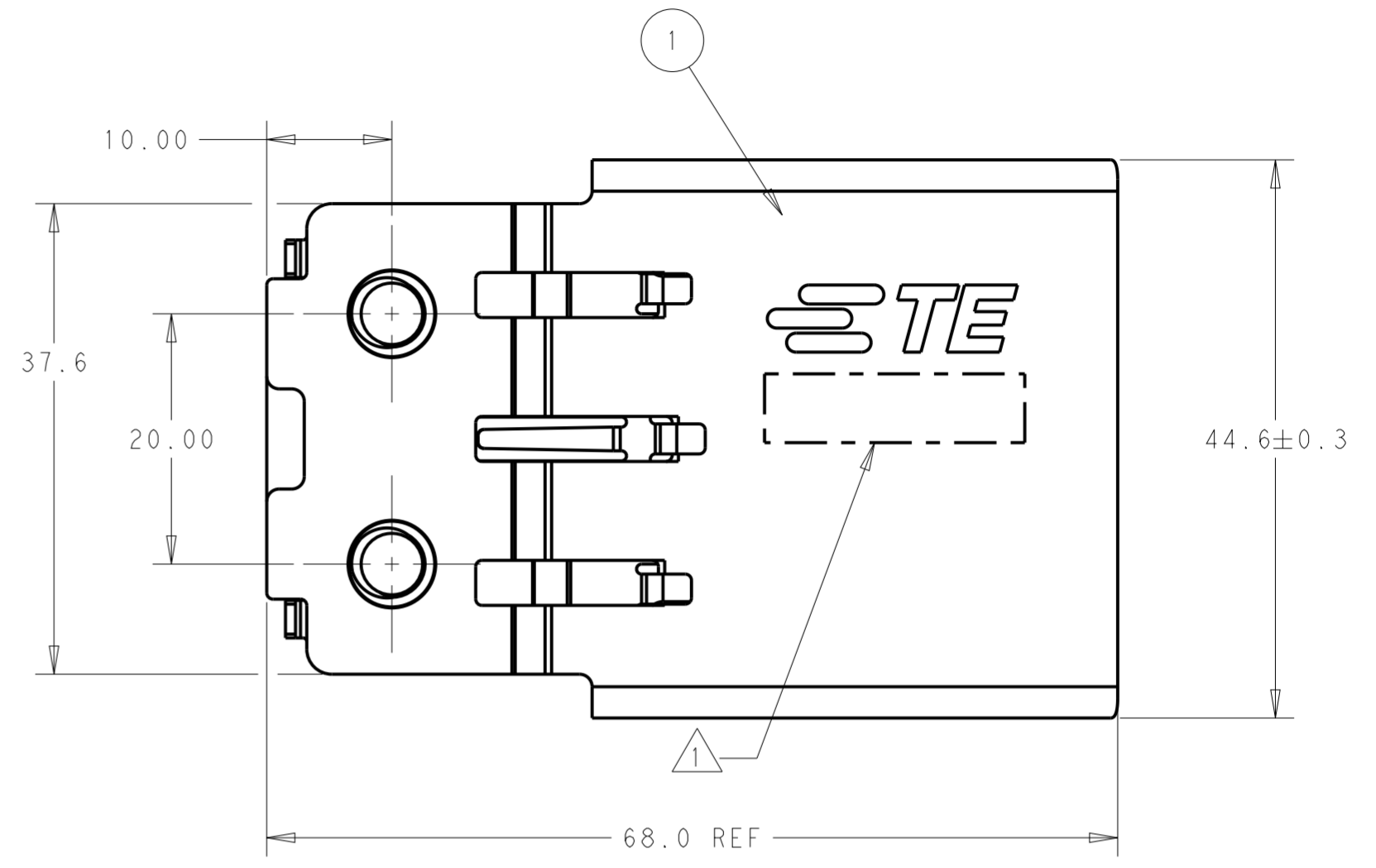
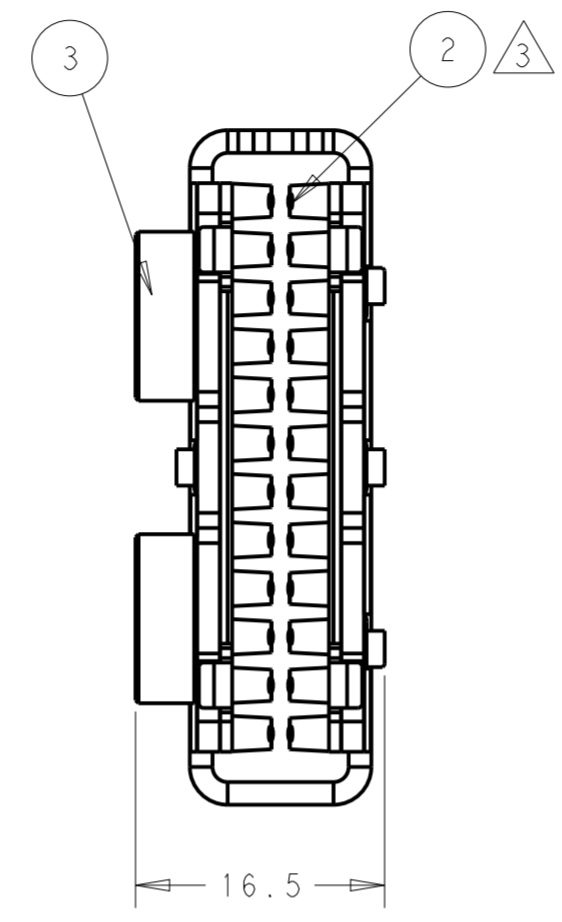
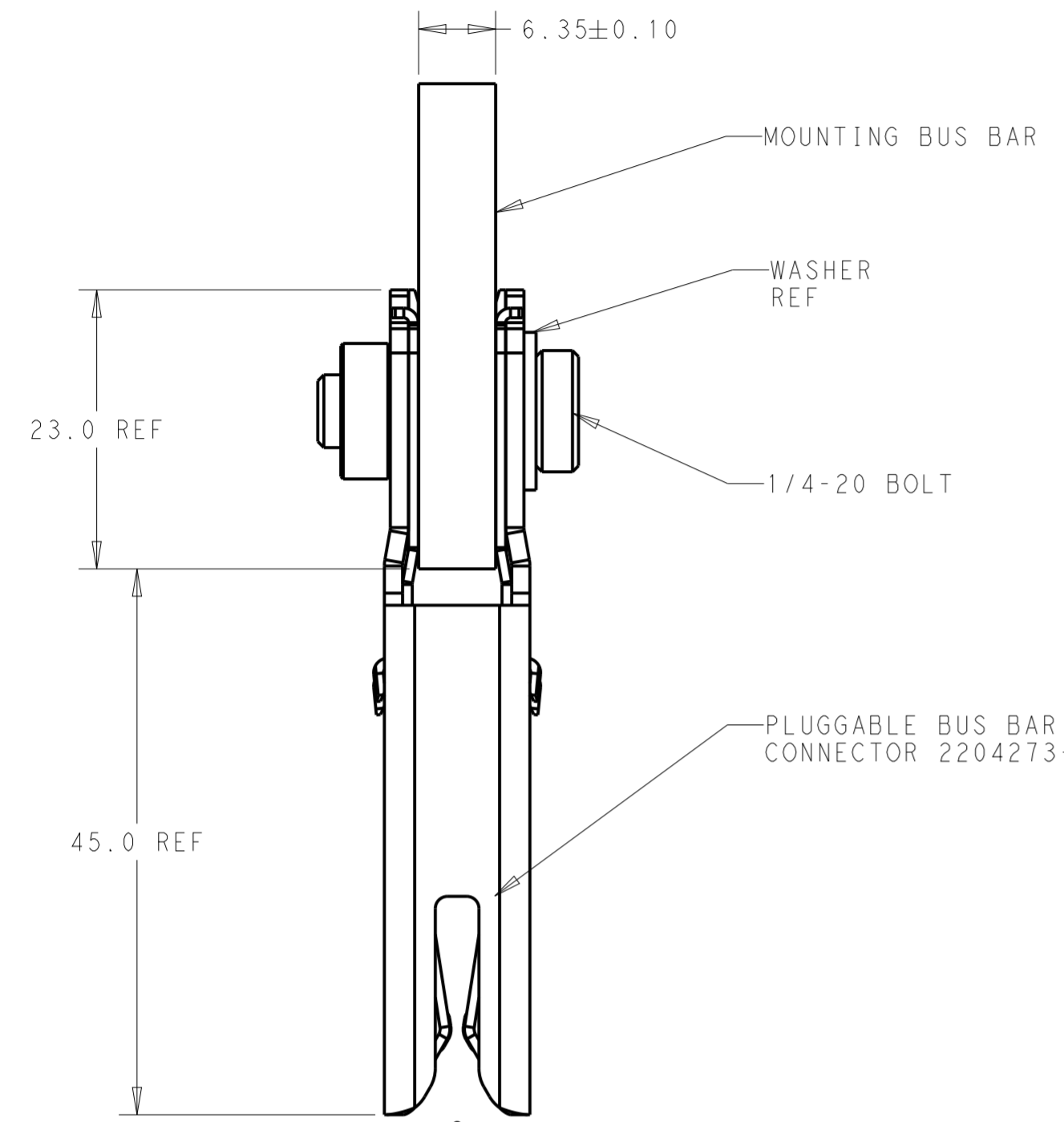


THIS DRAWING IS UNPUBLISHED. RELEASED FOR PUBLICATION 20
 © COPYRIGHT 20 BY - ALL RIGHTS RESERVED.

REVISIONS					
P	LTR	DESCRIPTION	DATE	DWN	APVD
A3		ADD TOLERANCE FOR HEIGHT DIM	22NOV2018	AL	SZ
A4		CORRECT A CLERICAL ERROR	13DEC2018	AL	SZ



RECOMMENDED MOUNTING BUS BAR LAYOUT

- NOTES:
- ① PART NUMBER AND DATACODE TO BE MARKED IN AREA SHOWN
 - ② MATERIAL: SHOWN IN BOM LIST
 - ③ CONTACT PLATING: SILVER PLATING ON CONTACT FUNCTIONAL AREA
 - ④ BUS BAR MUST BE SILVER PLATING ON CONTACT AREA

PART NUMBER	ITEMS	DESCRIPTION	MATERIAL	Q'TY	FINISH
2204273-1 ②	3	CLINCHING NUT 1/4-20 THREAD	STAINLESS STEEL	2	-
	2	CONTACT	COPPER ALLOY	2	SILVER
	1	OUTER HOUSING	STAINLESS STEEL	1	-

THIS DRAWING IS A CONTROLLED DOCUMENT.		DWN ANDY LI 17JUN2014	STE TE Connectivity	
DIMENSIONS: mm		CHK SUNY ZHAO 17JUN2014		
TOLERANCES UNLESS OTHERWISE SPECIFIED:		APVD SUNY ZHAO 17JUN2014	NAME PLUGGABLE BUS BAR CONNECTOR IN-LINE MOUNTING	
0 PLC ±-		PRODUCT SPEC 108-128012	SIZE A2	
1 PLC ±0.2		APPLICATION SPEC 114-2111	CAGE CODE -	
2 PLC ±0.15		WEIGHT 97.28	DRAWING NO C-2204273	
3 PLC ±0.10		CUSTOMER DRAWING	RESTRICTED TO -	
4 PLC ±0.0001		SCALE 2:1	SHEET 1 OF 1	
ANGLES ±1			REV A4	
FINISH				