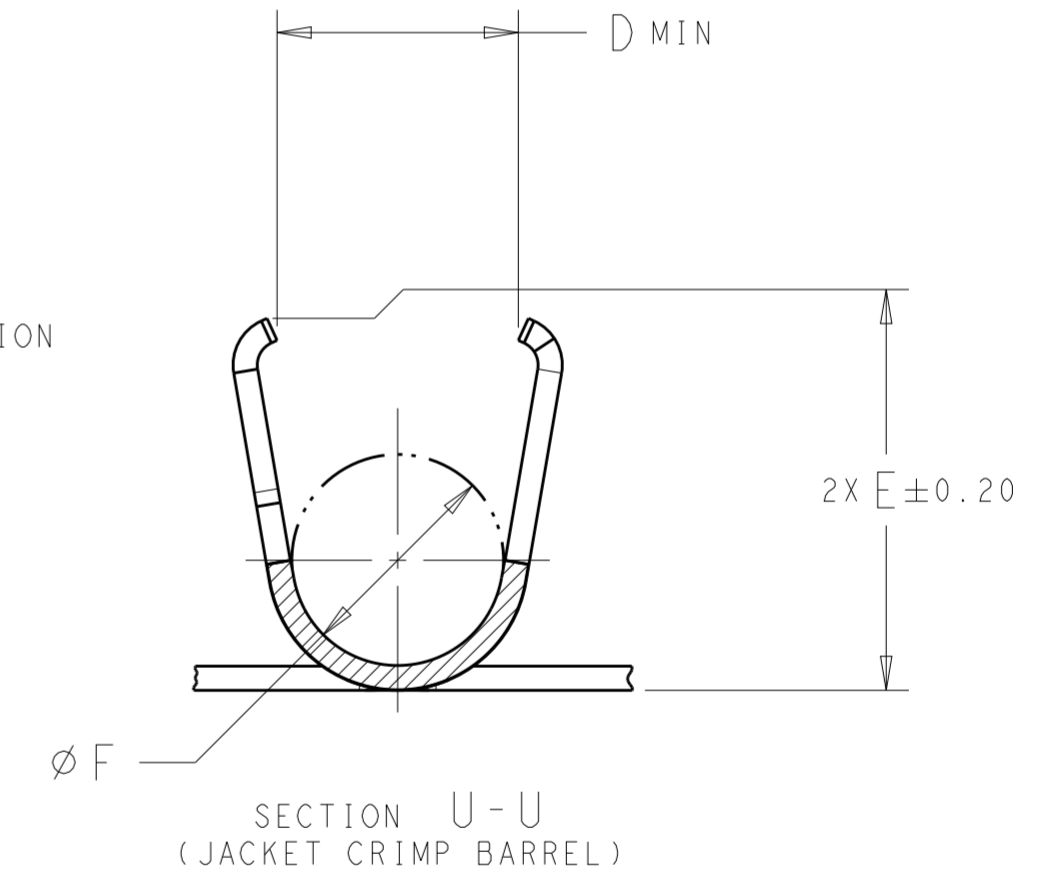
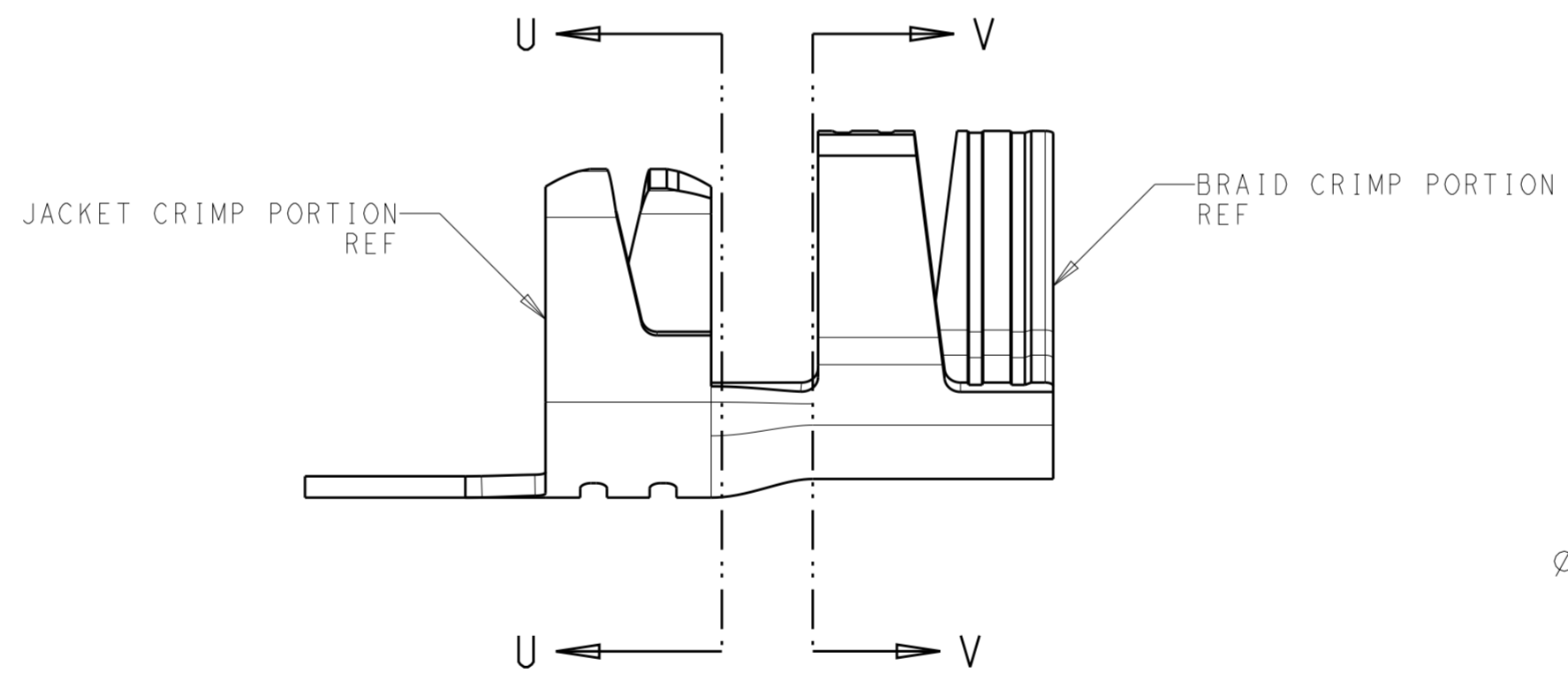
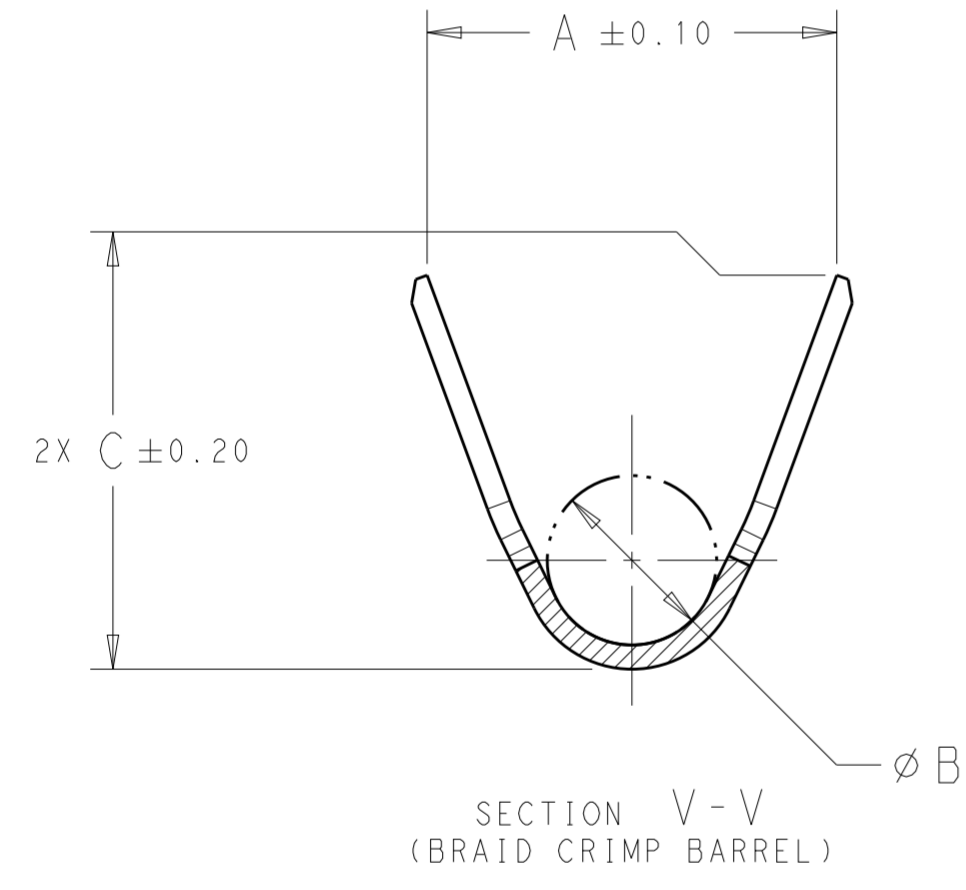
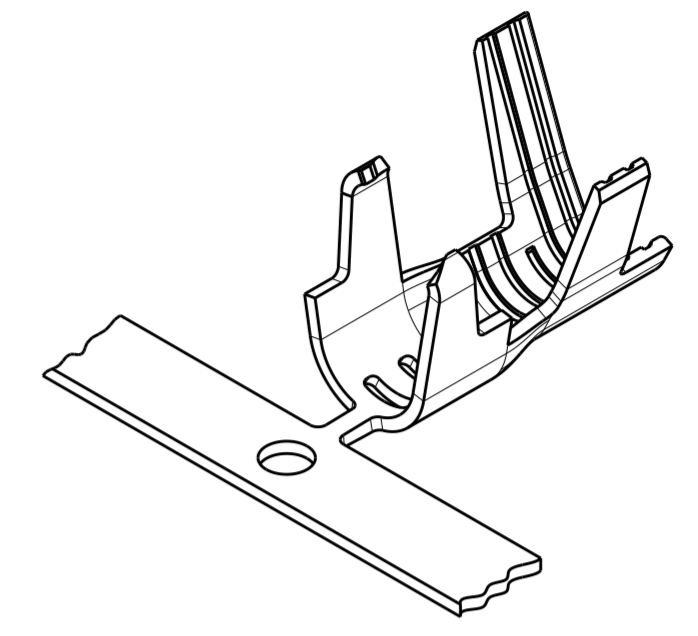
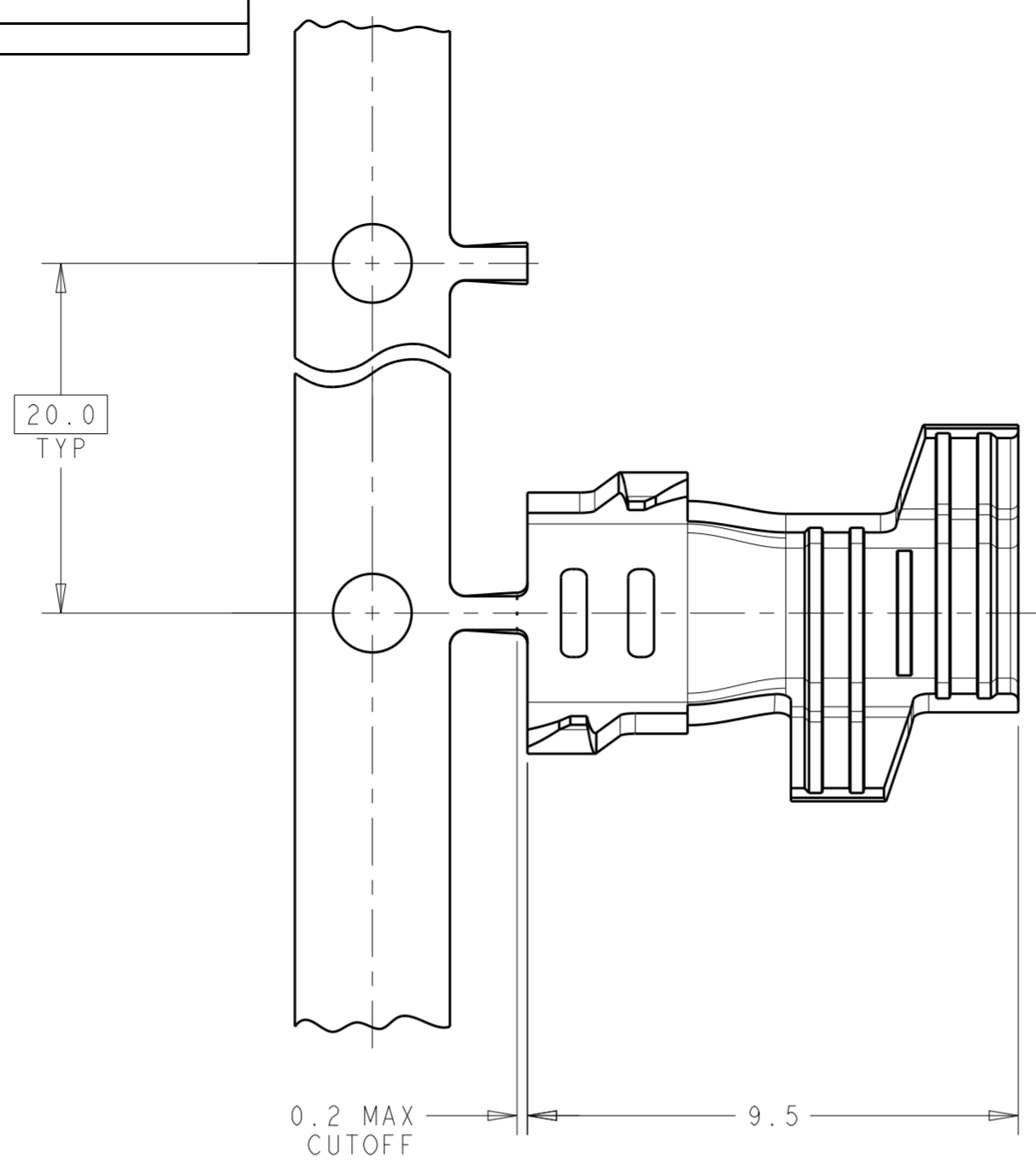


THIS DRAWING IS UNPUBLISHED. RELEASED FOR PUBLICATION 20
 © COPYRIGHT 20 BY - ALL RIGHTS RESERVED.

REVISIONS					
P	LTR	DESCRIPTION	DATE	DWN	APVD
A		INITIAL DRAWING	11AUG2015	DJH	DJL
B		REVISED	13AUG2015	DJH	DJL
B1		REVISED	07NOV2016	ERL	ERL



- 1 PHOSPHOR BRONZE.
ALTERNATE: COPPER ALLOY.
- 2 1.0µm MIN TIN.
- 3. 2203259-3 AS SHOWN.
- 4. PACKAGED ON REEL.

4.40	8.48	4.40	7.14	3.29	7.49	AMC-4mm, SHIKOKU 2DS-PPFW(TA)	2203259-5
3.50	6.15	4.00	6.52	2.80	6.77	DACAR 363, RTK-031	2203259-3
3.50	6.15	4.00	5.14	2.22	5.42	1.5CS, 1.5DS, DACAR 462, RG-174, RG-174 LL, RG-179, RG-316	2203259-2
1.90	4.32	2.40	3.88	1.49	4.09	RG-178	2203259-1
F	E	D	C	B	A	APPLICABLE CABLE SIZE	PART NUMBER

THIS DRAWING IS A CONTROLLED DOCUMENT.

DWN D. J. HARDY 11AUG2015	 TE Connectivity	NAME OUTER FERRULE, 180 DEGREE, FAKRA																						
CHK D. J. LANE 11AUG2015		-																						
APVD D. J. LANE 11AUG2015		SIZE A2	CAGE CODE -	DRAWING NO. G-2203259																				
DIMENSIONS: mm		TOLERANCES UNLESS OTHERWISE SPECIFIED:																						
<table border="1"> <tr><td>0 PLC</td><td>±</td><td>-</td></tr> <tr><td>1 PLC</td><td>±0.1</td><td></td></tr> <tr><td>2 PLC</td><td>±0.05</td><td></td></tr> <tr><td>3 PLC</td><td>±</td><td>-</td></tr> <tr><td>4 PLC</td><td>±</td><td>-</td></tr> <tr><td>ANGLES</td><td>±</td><td>-</td></tr> <tr><td>FINISH</td><td>±</td><td>-</td></tr> </table>		0 PLC	±	-	1 PLC	±0.1		2 PLC	±0.05		3 PLC	±	-	4 PLC	±	-	ANGLES	±	-	FINISH	±	-	PRODUCT SPEC - APPLICATION SPEC 114-32145 WEIGHT - Customer Drawing	
0 PLC	±	-																						
1 PLC	±0.1																							
2 PLC	±0.05																							
3 PLC	±	-																						
4 PLC	±	-																						
ANGLES	±	-																						
FINISH	±	-																						
MATERIAL -1		RESTRICTED TO -																						
SCALE 8:1		SHEET 1 OF 1 REV B1																						