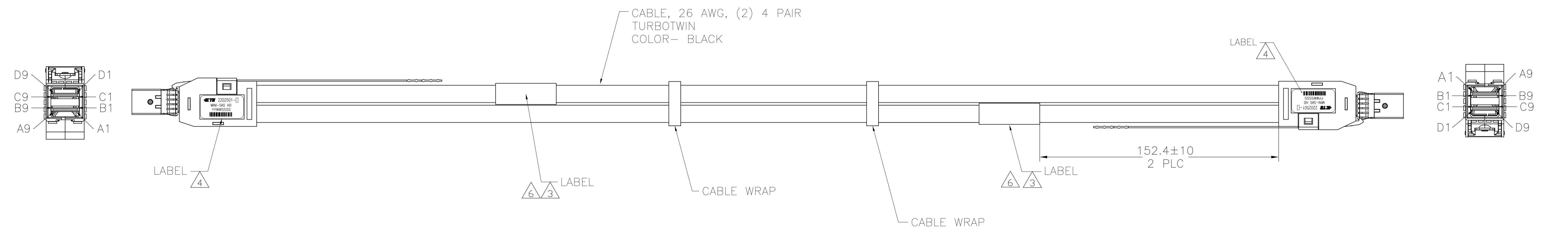
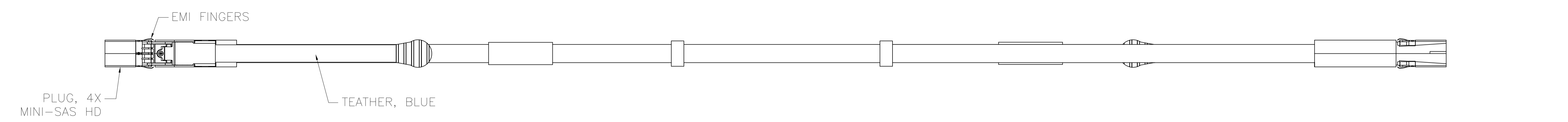
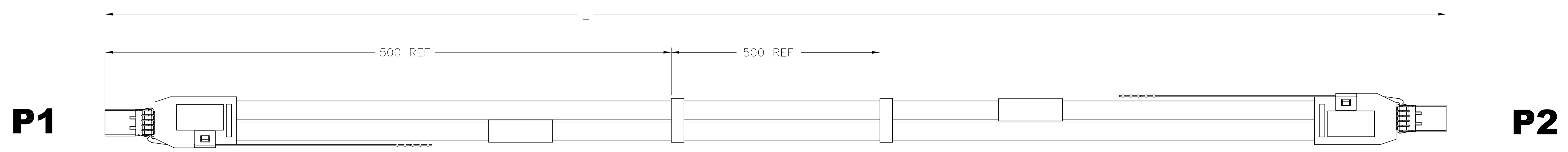


REVISIONS					
P	LTR	DESCRIPTION	DATE	DMN	APVD
D	PER	ECO-15-016946	21MAR2016	PL	FG



- ASSEMBLY TESTED FOR CONTINUITY, OPENS, SHORTS, EEPROM PROGRAM AND SIGNAL INTEGRITY.
- ROHS AND REACH COMPLIANCE: PRODUCT AND PROCESSING MEETS REQUIREMENTS OF TE SPECIFICATION TEC-138-702.

3 LABEL INFORMATION:

	2202501-[ ]	TE LOGO AND P/N
---	METERS	LENGTH
YYWW		DATE CODE
MADE IN	---	COUNTRY OF ORIGIN

4 LABEL INFORMATION:

	2202501-[ ]	TE LOGO AND P/N
	MINI-SAS HD	
YYWW	SSSS	YYWW= DATE CODE, SSSS= SERIAL NUMBER
		BARCODE

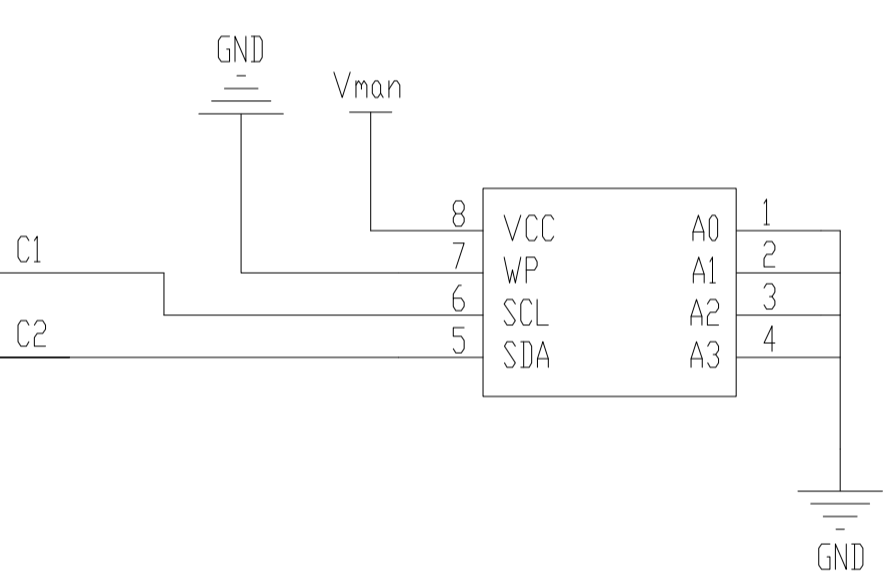
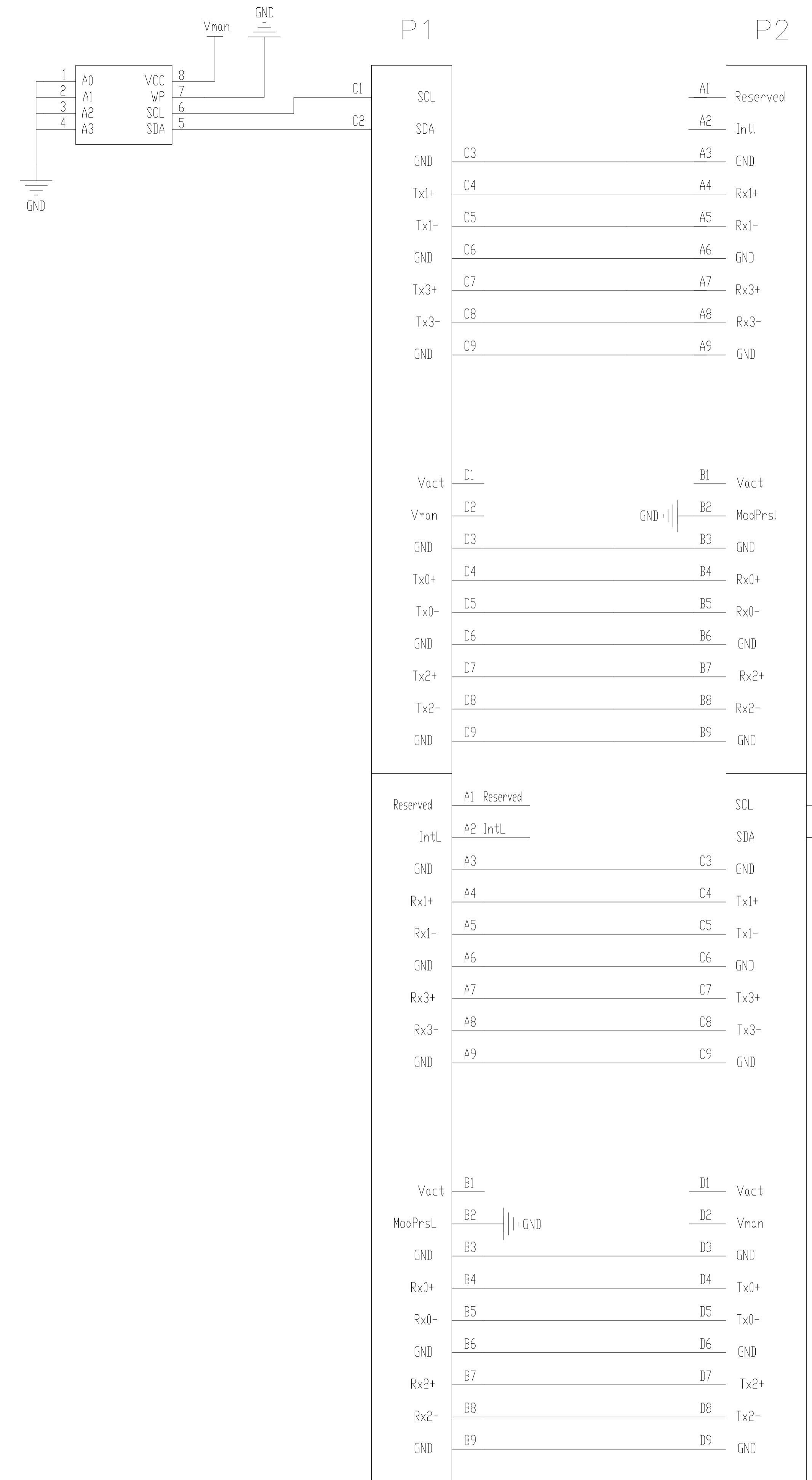
5. EEPROM PROGRAMMED PER TE DOCUMENT 2202501\_EEPROM.

6 -1 ONLY: LABEL IS APPLIED TO THE CENTER OF CABLE ASSEMBLY.

7	+0.1 -0	METERS	2202501-8
6	+0.1 -0	METERS	2202501-7
5	+0.1 -0	METERS	2202501-6
4	+0.08 -0	METERS	2202501-5
3	+0.08 -0	METERS	2202501-4
2	+0.08 -0	METERS	2202501-3
1	+0.05 -0	METERS	2202501-2
0.5	+0.05 -0	METERS	2202501-1 <span style="float: right;">6</span>
	L		PART NO

THIS DRAWING IS A CONTROLLED DOCUMENT.		DIN P.LI 09MAR2012	TE Connectivity	
DIMENSIONS: mm		CHK J.MEYERS 09MAR2012		
TOLERANCES UNLESS OTHERWISE SPECIFIED:		APVD J.MEYERS 09MAR2012	NAME	
0 PLC	±		CABLE ASSEMBLY, 26 AWG TURBOTWIN, MINI-SAS HD, 4X	
1 PLC	±		PRODUCT SPEC	
2 PLC	±		APPLICATION SPEC	
3 PLC	±		SIZE	
4 PLC	±		CAGE CODE	
ANGLES	±		DRAWING NO	
MATERIAL	FINISH	WEIGHT	RESTRICTED TO	
CUSTOMER DRAWING		SCALE 1:1	SHEET 1 OF 2	

REVISIONS				
P	LTR	DESCRIPTION	DATE	OWN
-	-	SEE SHEET 1	-	-



THIS DRAWING IS A CONTROLLED DOCUMENT.		DWG: T. SMITH 25FEB2011	TE Connectivity	
DIMENSIONS: mm		CHK: J. MEYERS 25FEB2011	NAME: CABLE ASSEMBLY, 26 AWG TURBOTWIN, MINI-SAS HD, 4X	
TOLERANCES UNLESS OTHERWISE SPECIFIED: 0. PLC ± - 1. PLC ± - 2. PLC ± - 3. PLC ± - 4. PLC ± - ANGLES ± -		APPD: J. MEYERS 25FEB2011	RESTRICTED TO	
		PRODUCT SPEC	SIZE: A1	
MATERIAL: -		APPLICATION SPEC	CAGE CODE: 00779	
FINISH: -		WEIGHT: 0	DRAWING NO: 2202501	
		CUSTOMER DRAWING	SCALE: 1:1 SHEET 2 OF 2 REV D	