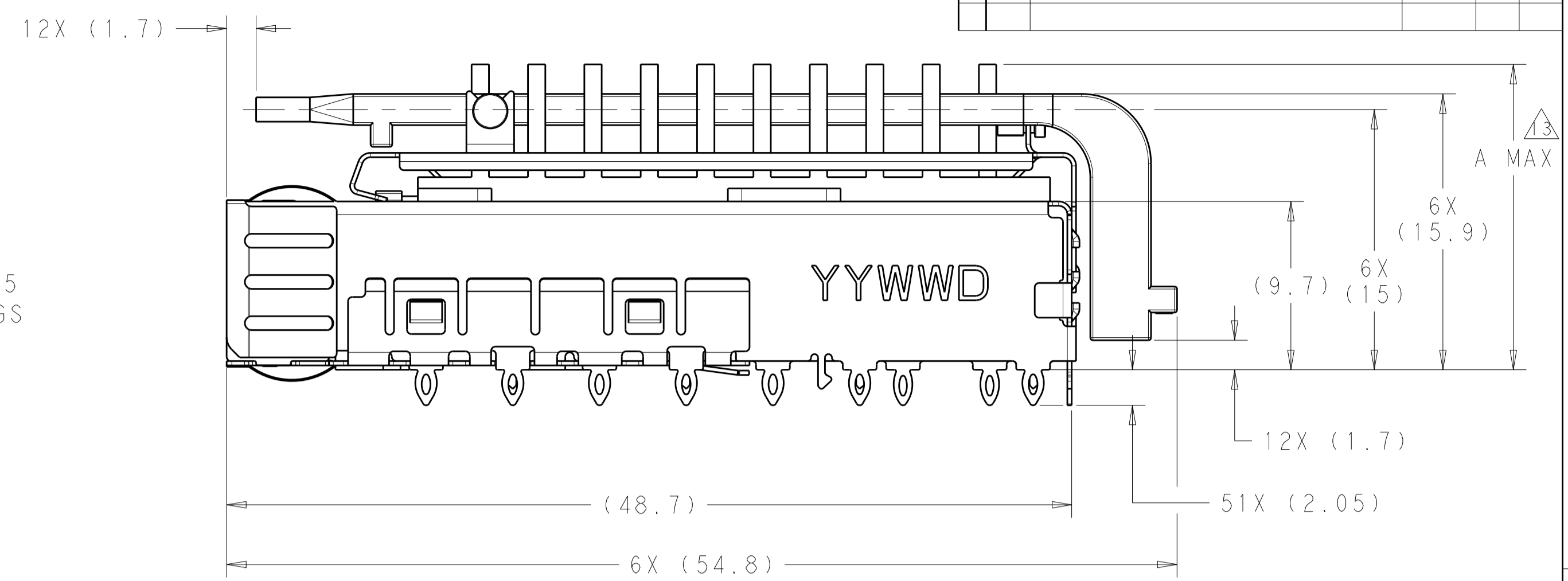
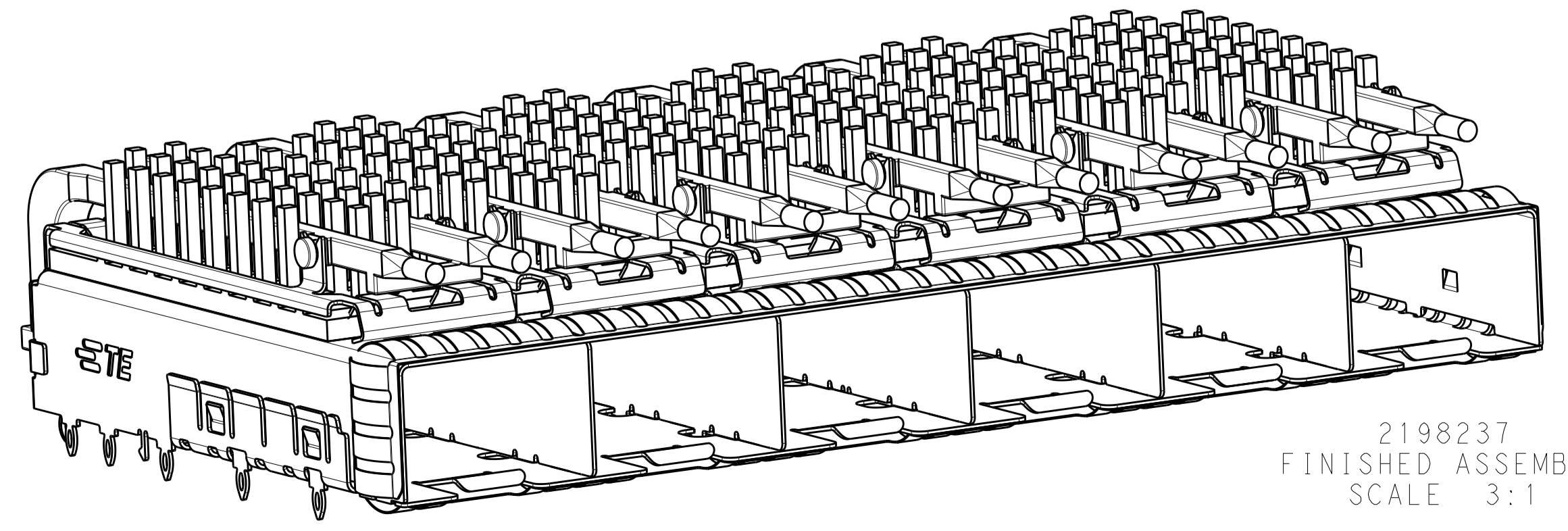
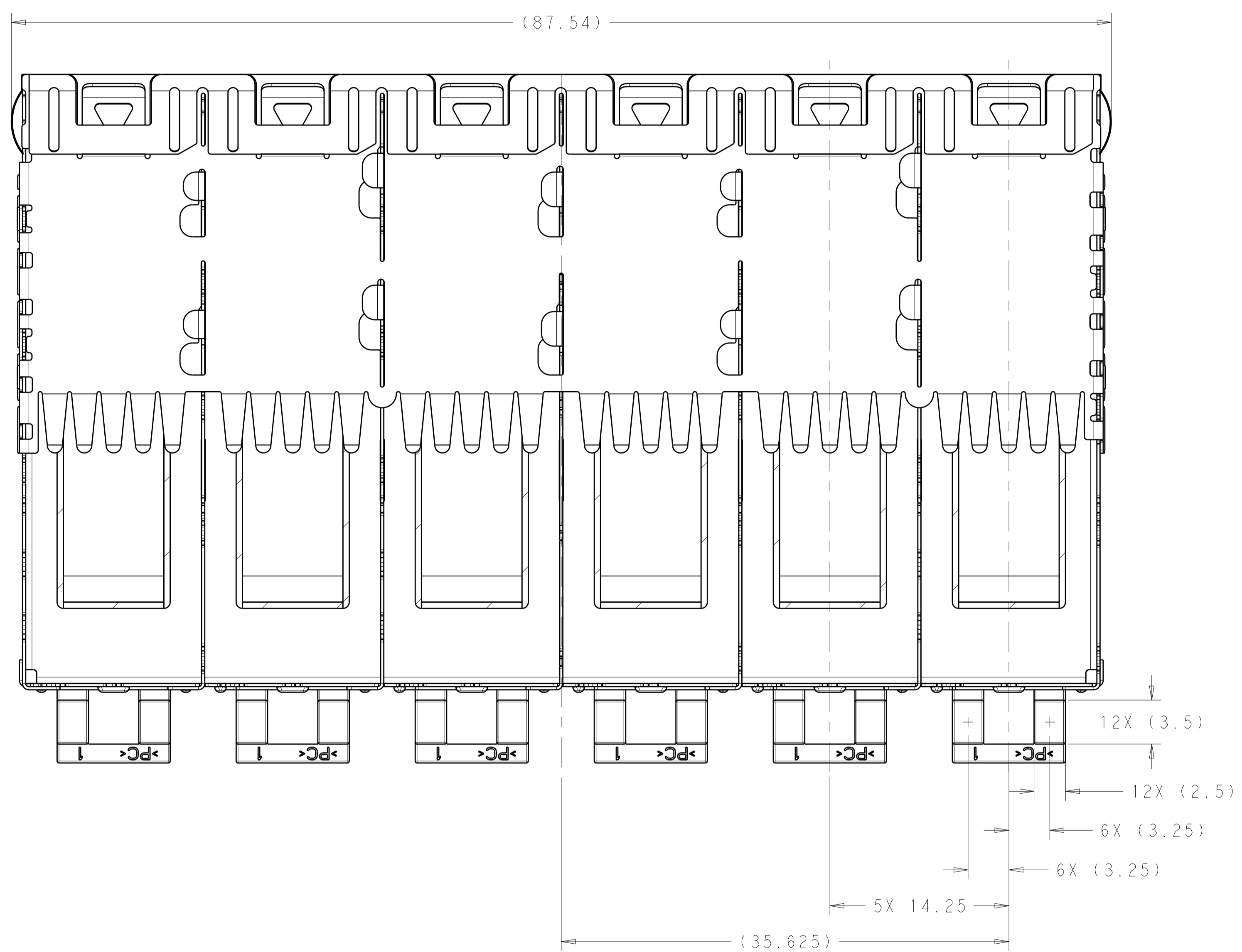
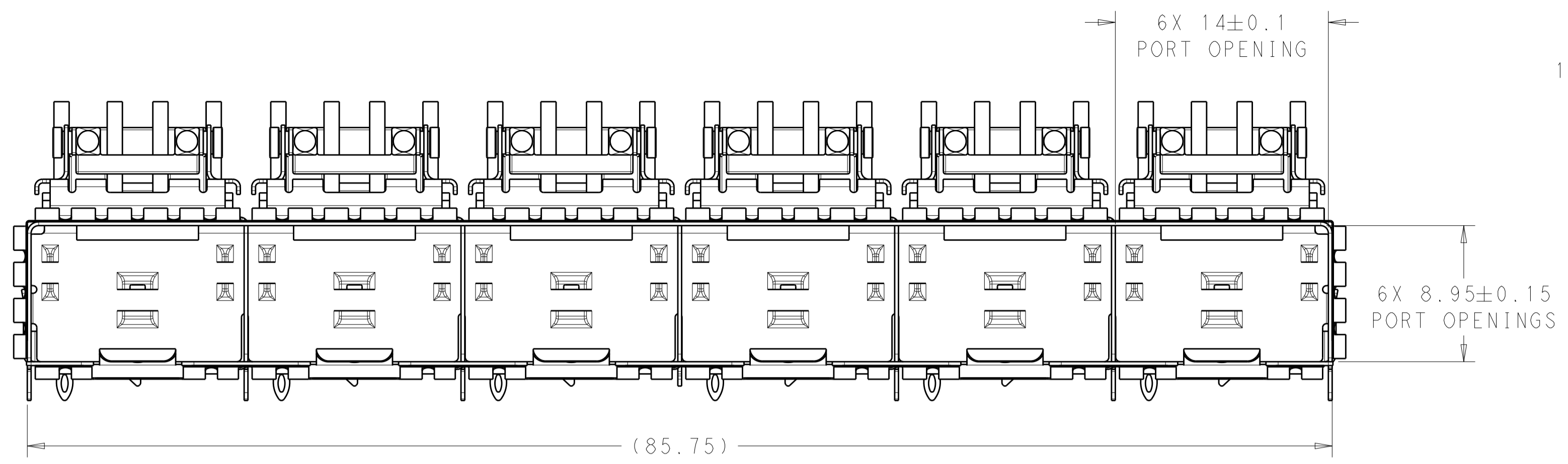


LOC	DIST	REVISIONS			
GP	00	REV	DATE	BY	CHK
		A	RELEASED PER ECO-12-013192	19OCT2012	BMM MRS



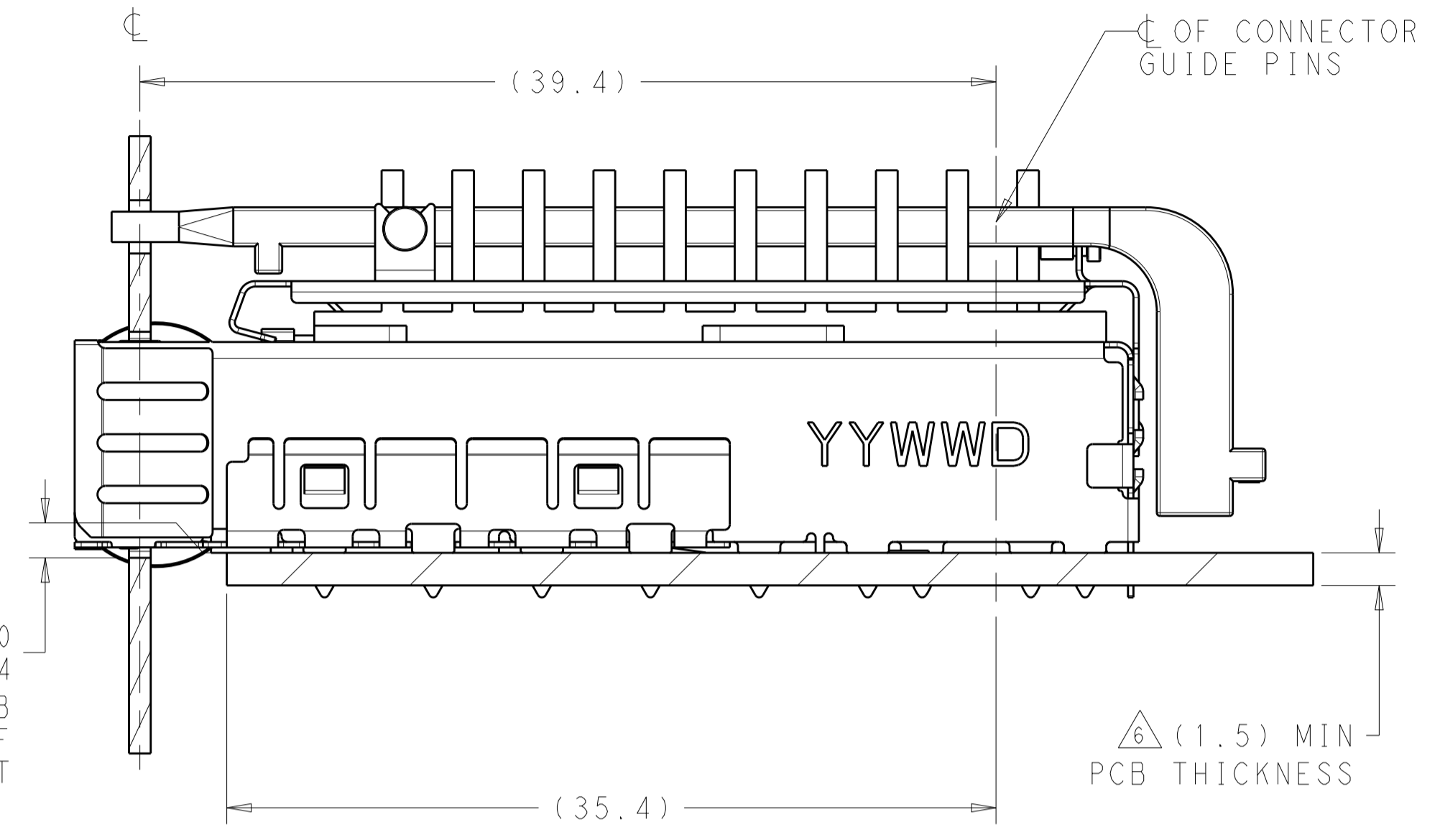
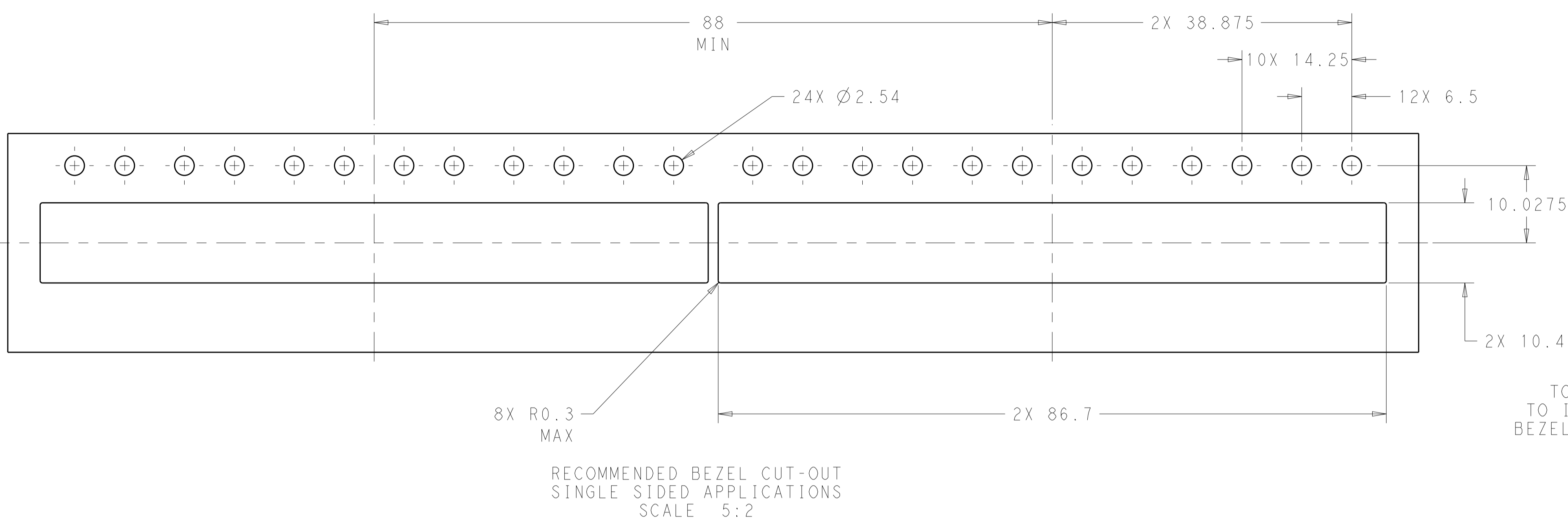
- △ MATERIAL:
CAGE ASSEMBLY: 0.25mm THICK NICKEL SILVER ALLOY.
HEATSINK/LIGHTPIPE CLIP: STAINLESS STEEL
LIGHT PIPE: POLYCARBONATE, CLEAR
HEATSINK: ALUMINUM
- △ FINISH:
SPRINGS: MINIMUM OF 0.8um TIN PLATE OVER A MINIMUM OF 0.8um NICKEL UNDERPLATE.
NON-PLATED EDGES PERMISSIBLE.
HEATSINK/LIGHTPIPE CLIP: PASSIVATE
HEATSINK: ELECTROLESS NICKEL
- 3. MATES WITH SFP MSA COMPLIANT TRANSCEIVERS.
- △ PADS AND VIAS CHASSIS GROUND.
- 5. INTERPRETATION OF DATUM REFERENCE FRAME IN ACCORDANCE WITH SECT 4.4.1.1 OF ASME Y14.5M-1994.
- △ MINIMUM PCB BOARD THICKNESS:
SINGLE SIDED = 1.50mm
DOUBLE SIDED = 2.25mm
- △ HOLE PATTERN REPEATS FOR EACH PORT. SPACING BETWEEN PORTS IS 14.25mm.
- △ DATUM AND BASIC DIMENSION ESTABLISHED BY CUSTOMER.
- △ REFERENCE APPLICATION SPEC. 114-13120, HOLE A, FOR RECOMMENDED DRILL HOLE DIAMETER AND PLATING THICKNESS.
- △ REFERENCE APPLICATION SPEC. 114-13120, HOLE B, FOR RECOMMENDED DRILL HOLE DIAMETER AND PLATING THICKNESS.
- 11. CERTAIN MATING TRANSCEIVERS MAY REQUIRE ADDITIONAL PCB THICKNESS THAT WOULD BE DETERMINED BY THE CUSTOMER.
- 12. PRODUCT COMPLIES WITH SPECIFICATION SFF-8433 IMPROVED PLUGGABLE FORM FACTOR FOR SFP+ GANGED CAGES.
- △ DIMENSION APPLIES PRIOR TO INSERTION OF SFP MODULE.
- △ HEATSINK, HEATSINK CLIP, AND LIGHTPIPE SHIPPED UNASSEMBLED TO CAGE ASSEMBLY. CAGE ASSEMBLY TO BE PRESSED INTO PCB PRIOR TO ATTACHING HEATSINK, HEATSINK CLIP, AND LIGHTPIPE TO THE CAGE ASSEMBLY.
- △ PACKAGED AS A COMPLETE ASSEMBLY.

△	22.5	NETWORKING, TALL	2198237-4
△	18.1	NETWORKING, SHORT	2198237-3
△	15.5	SAN	2198237-2
△	13.2	PCI	2198237-1
△	A MAX	APPLICATION	PART NUMBER

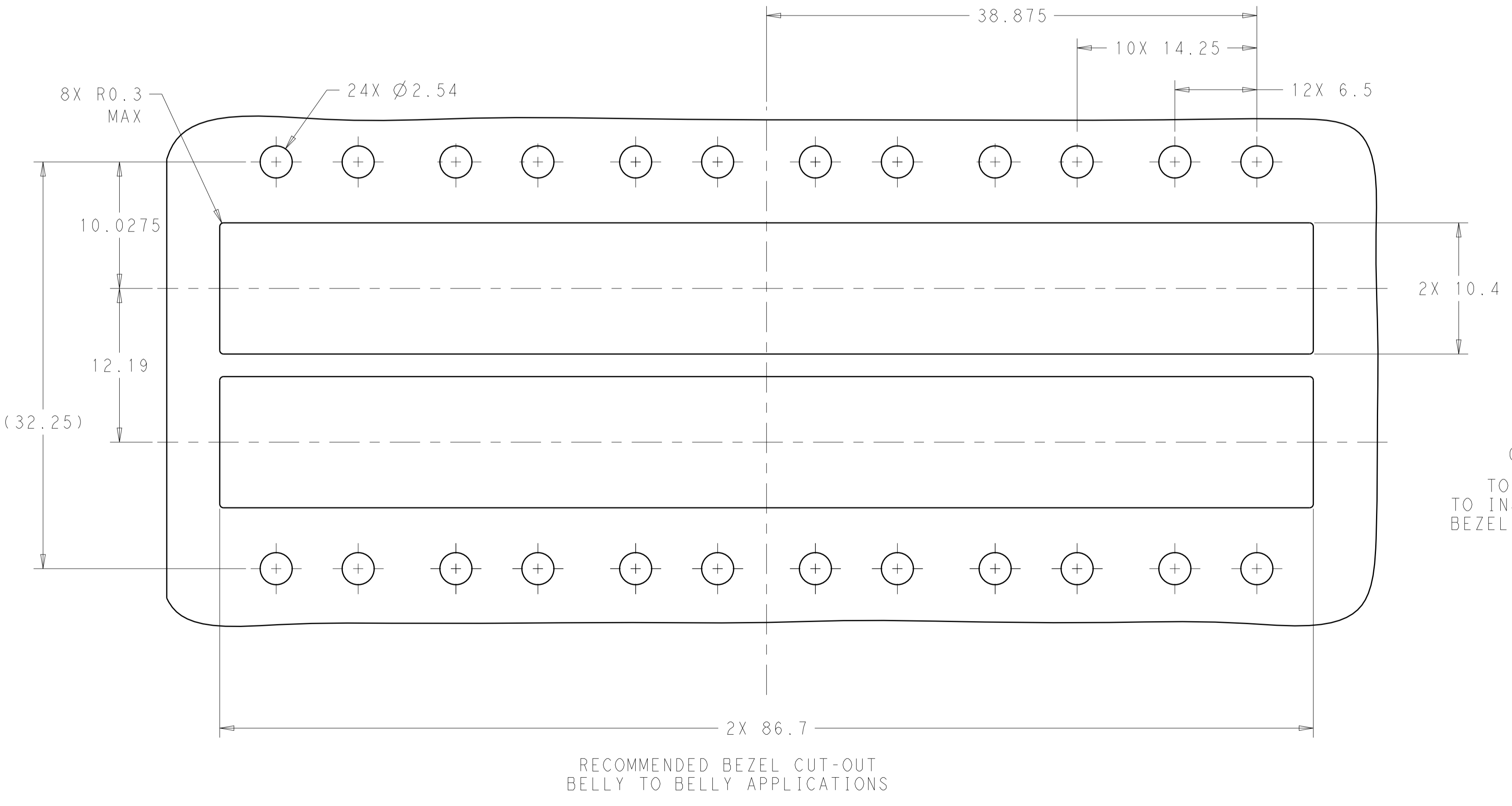
THIS DRAWING IS A CONTROLLED DOCUMENT.		OWN: B. MATTHEWS 15NOV2011	TE Connectivity
DIMENSIONS: mm		CHK: M. SCHMITT 15NOV2011	
TOLERANCES UNLESS OTHERWISE SPECIFIED:		APVD: M. SCHMITT 15NOV2011	
0 PLC ±0.1		PRODUCT SPEC: 108-2364	
1 PLC ±0.1		APPLICATION SPEC: 114-13120	SIZE: CAGE CODE DRAWING NO. RESTRICTED TO
2 PLC ±0.1		WEIGHT: -	A100779C=2198237
3 PLC ±0.1			Customer Drawing
4 PLC ±0.1			SCALE 4:1 SHEET 1 OF 4 REV A
ANGLES ±1°			

LOC	DIST	REV	DATE	BY	APPV
GP	00				

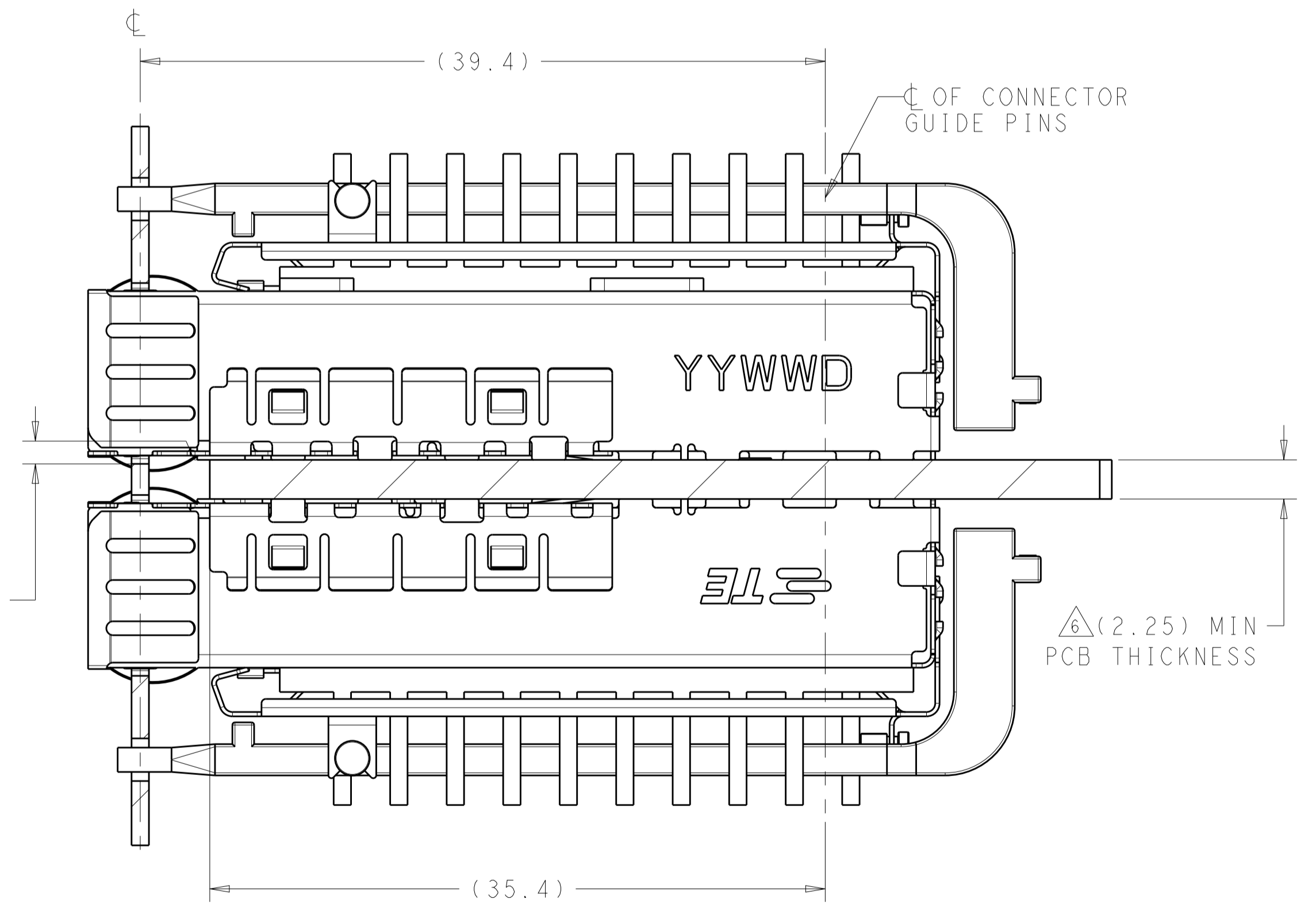
REVISIONS		
NO.	DESCRIPTION	DATE
1	SEE SHEET 1	



2198237
MOUNTED ON PC BOARD
SHOWN THRU RECOMMENDED BEZEL



0.23+0.10
-0.14
TOP OF PCB
TO INSIDE OF
BEZEL CUT-OUT

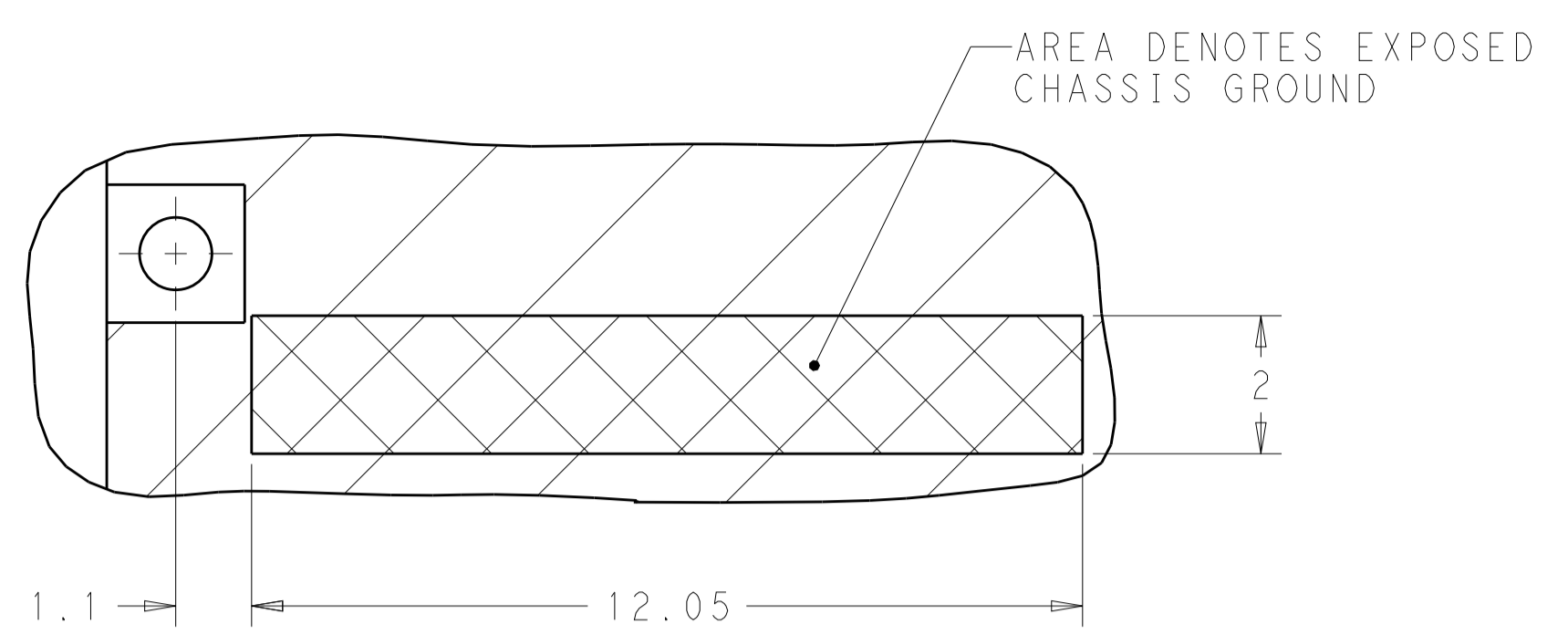


2198237
MOUNTED BELLY TO BELLY ON PC BOARD
SHOWN THRU RECOMMENDED BEZEL

THIS DRAWING IS A CONTROLLED DOCUMENT.		OWN: B. MATTHEWS 15NOV2011	TE Connectivity
DIMENSIONS: mm		CHK: M. SCHMITT 15NOV2011	
TOLERANCES UNLESS OTHERWISE SPECIFIED:		APVD: M. SCHMITT 15NOV2011	NAME: SFP+ ENHANCED 1X6 CAGE ASSEMBLY, PRESS FIT, EXTERNAL EMI SPRINGS WITH HEATSINK AND LIGHTPIPE PRODUCT SPEC: 108-2364 APPLICATION SPEC: 114-13120
0 PLC ±0.1 1 PLC ±0.1 2 PLC ±0.1 3 PLC ±0.1 4 PLC ±0.1 ANGLES ±1°		WEIGHT: - MATERIAL: - FINISH: -	
MATERIAL: -		Customer Drawing	SIZE: A1 CAGE CODE: 00779 DRAWING NO: 2198237 SCALE: 4:1 SHEET: 2 OF 4 REV: A

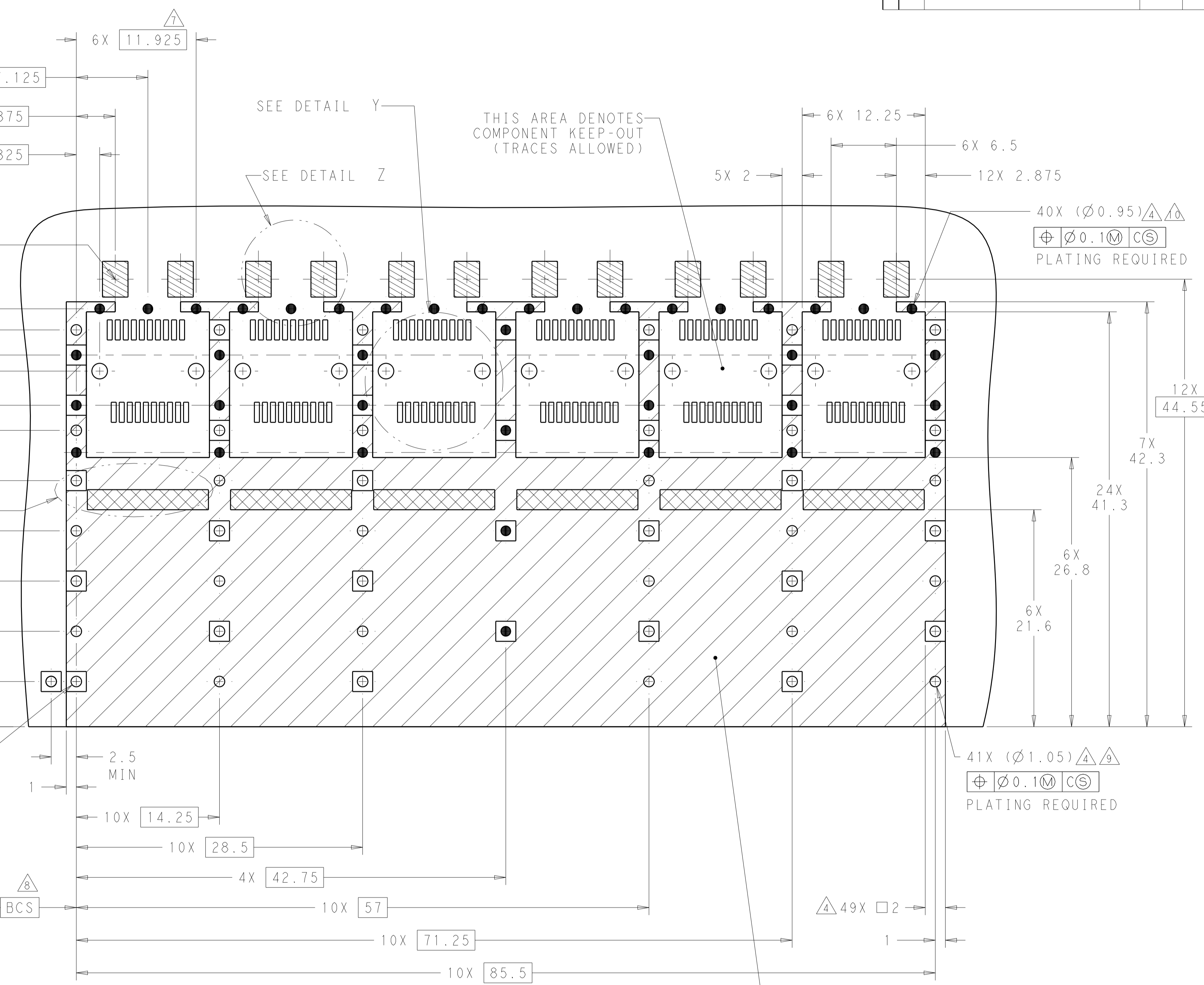
LOC	DIST	REV	DATE	BY	APPV
GP	00				

REVISIONS			
REV	DESCRIPTION	DATE	BY
-	SEE SHEET 1	-	-



DETAIL B
6X INDIVIDUALLY
SCALE 10:1

12X ϕ FOR LED PLACEMENT AND LIGHT PIPE COVERAGE AREA

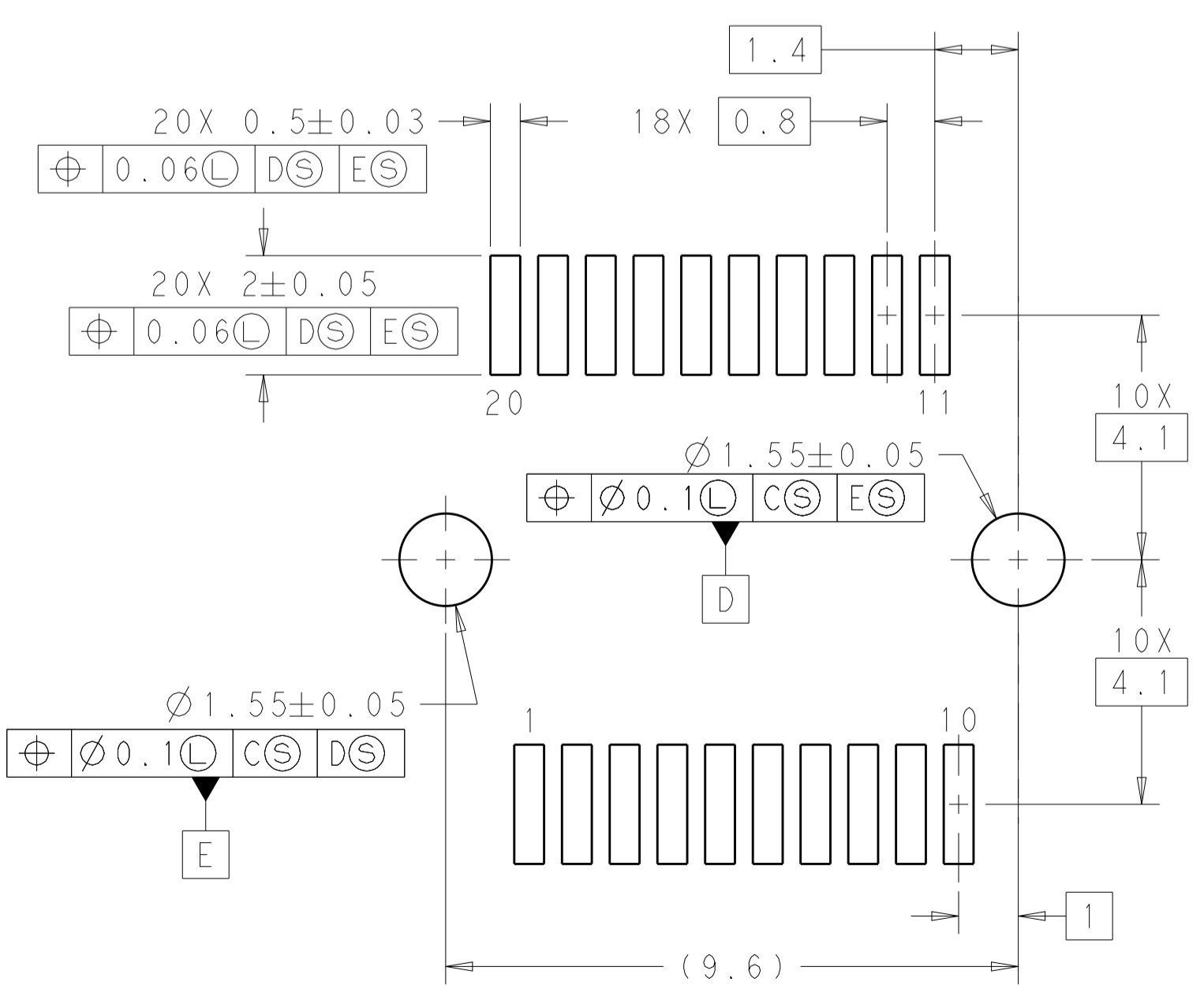


4 9 (phi 1.05) 4 9
PLATING REQUIRED
phi 0.1 M AB

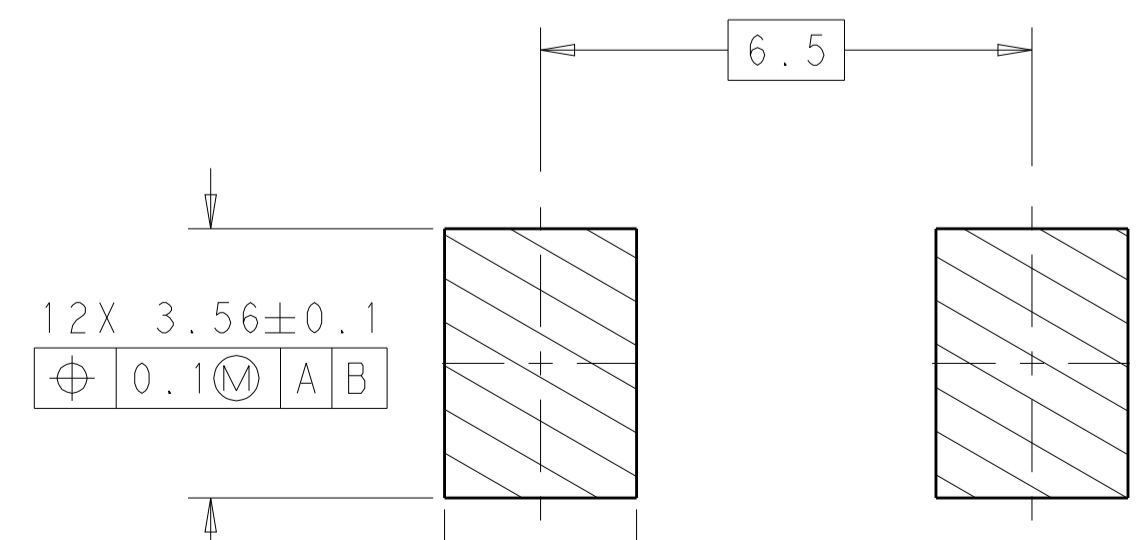
41X (phi 1.05) 4 9
PLATING REQUIRED
phi 0.1 M CS

RECOMMENDED PCB CONFIGURATION
WITH KEEP-OUT AREAS
BELLY TO BELLY APPLICATIONS
SCALE 4:1

CROSS-HATCHED AREA
DENOTES COMPONENT
AND TRACE KEEP-OUT
(EXCEPT CHASSIS
GROUND)



DETAIL Y
RECOMMENDED PT CONNECTOR LAYOUT
12X INDIVIDUALLY
SCALE 10:1



DETAIL Z
SCALE 10:1

THIS DRAWING IS A CONTROLLED DOCUMENT.		OWN: B. MATTHEWS 15NOV2011		TE Connectivity
DIMENSIONS: mm		CHK: M. SCHMITT 15NOV2011		NAME: SFP+ ENHANCED 1X6 CAGE ASSEMBLY, PRESS FIT, EXTERNAL EMI SPRINGS WITH HEATSINK AND LIGHTPIPE
TOLERANCES UNLESS OTHERWISE SPECIFIED:		APVD: M. SCHMITT 15NOV2011	PRODUCT SPEC: 108-2364	RESTRICTED TO:
0 PLC	±0.1	APPLICATION SPEC: 114-13120	SIZE: 114-13120	
1 PLC	±0.1	WEIGHT: -	SCALE: 4:1	
2 PLC	±0.1			
3 PLC	±0.1			
4 PLC	±0.1			
ANGLES	±0.1°			
MATERIAL				
FINISH				
Customer Drawing				