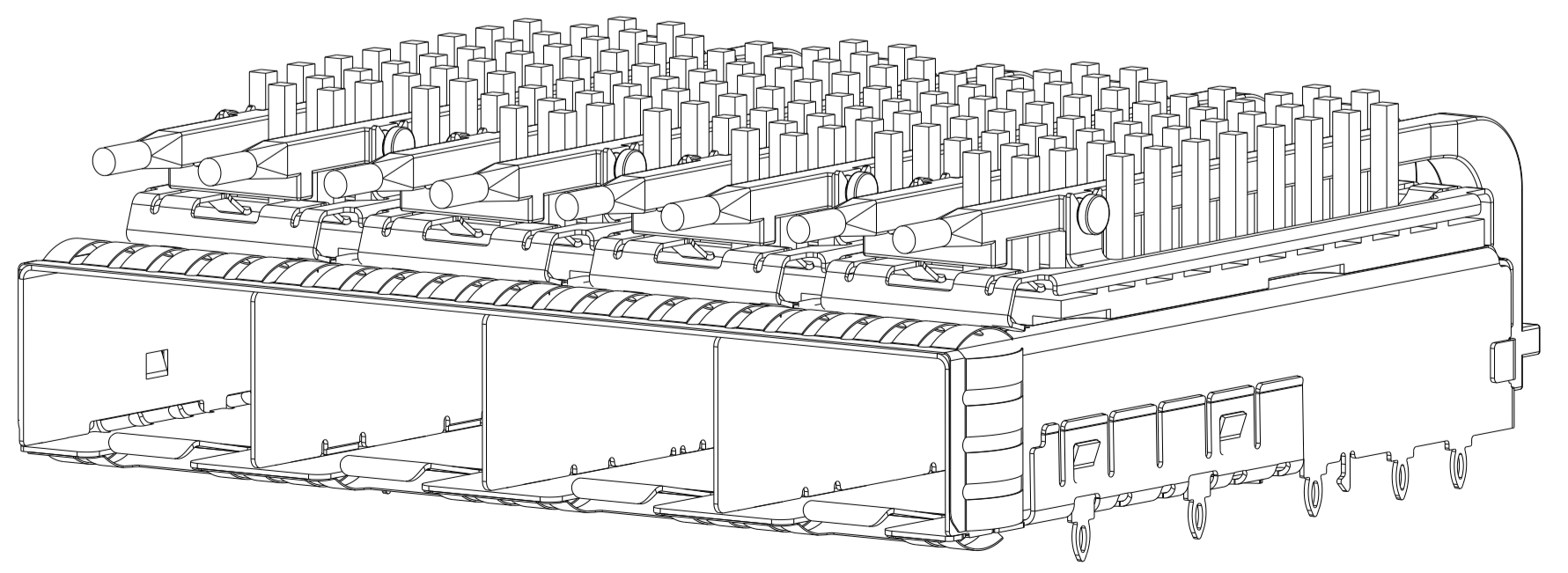
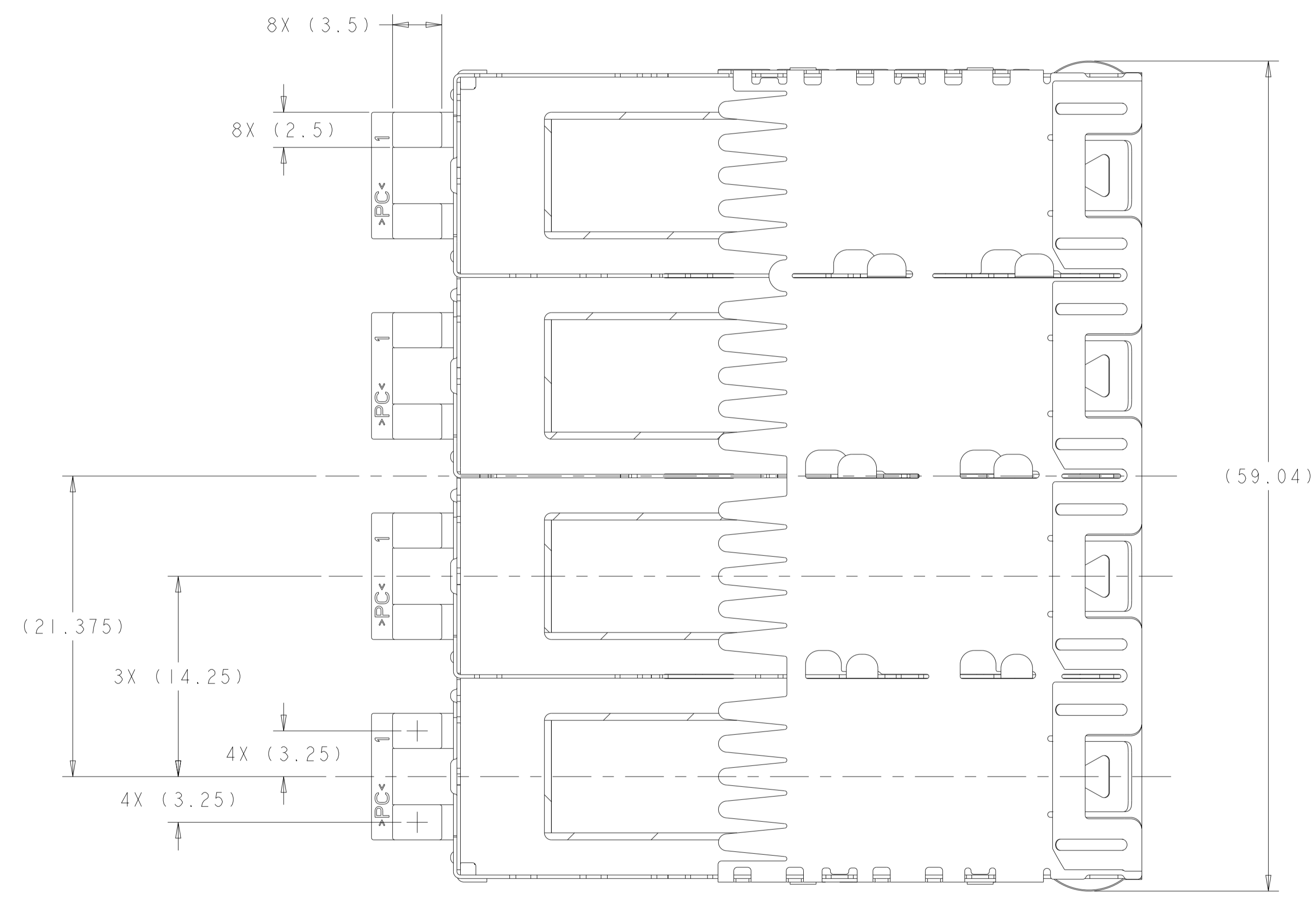
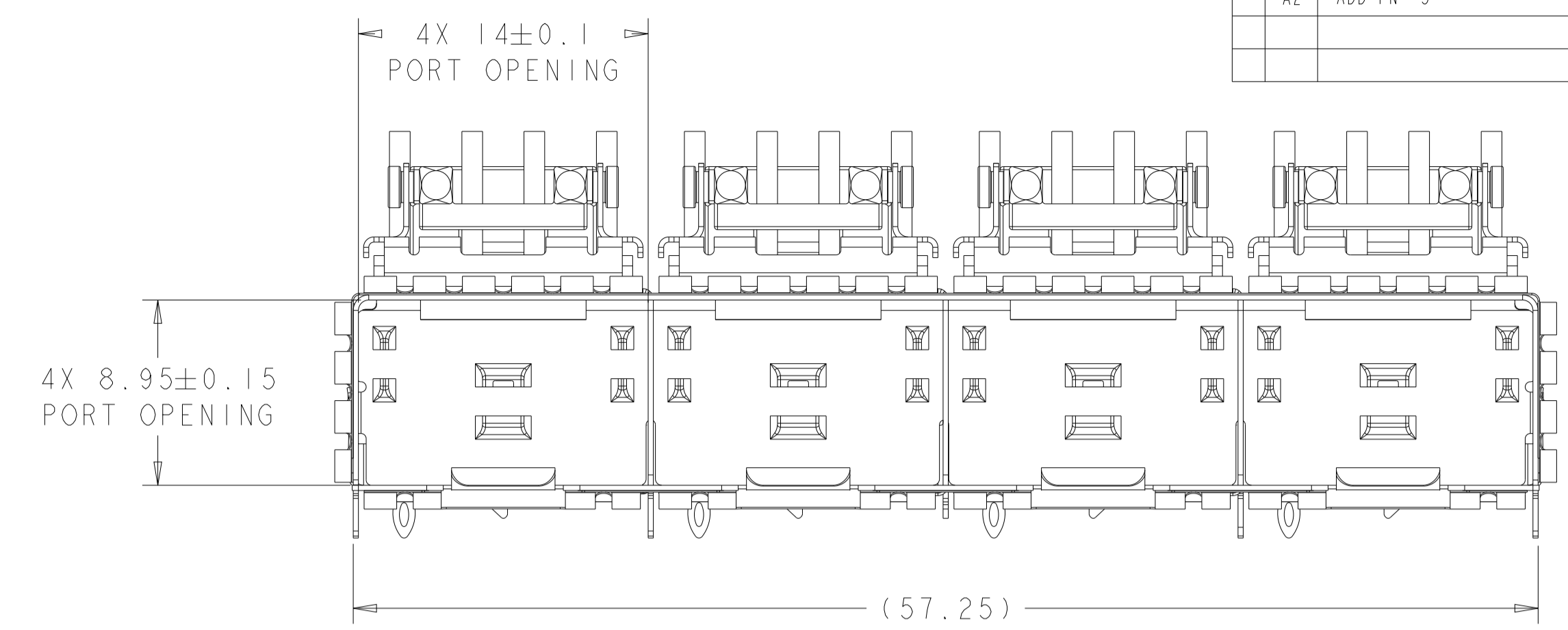
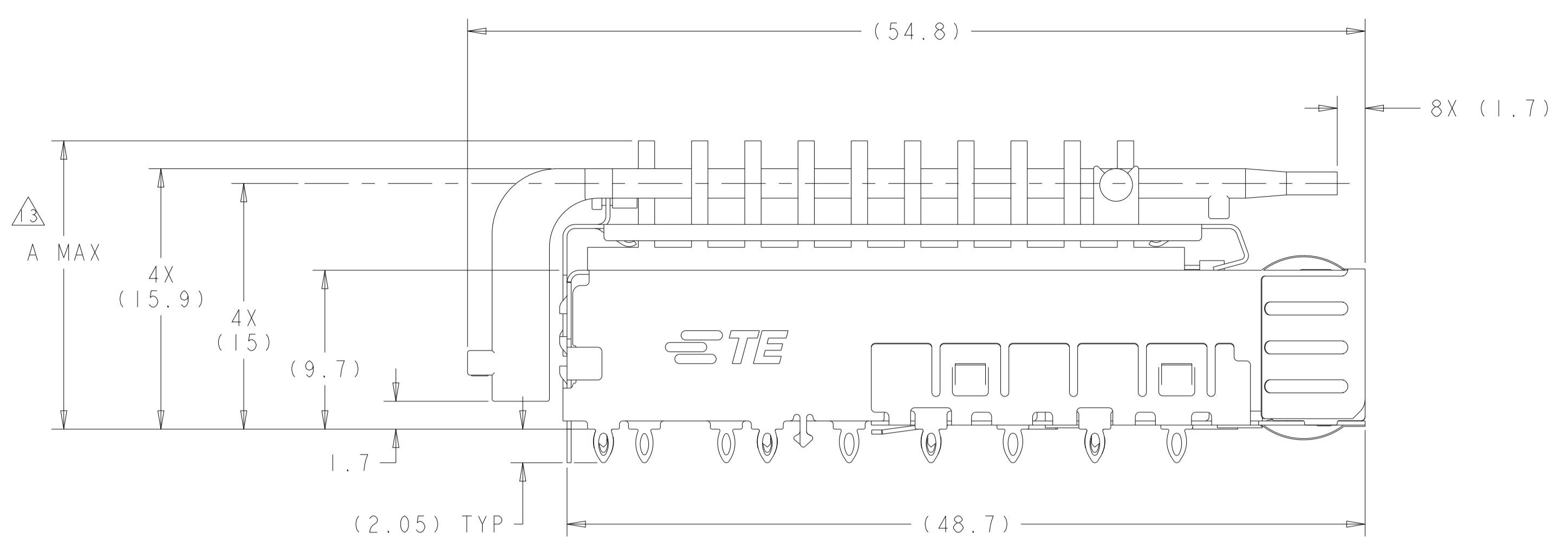


LOC		DIST		REVISIONS			
P	LTN	DESCRIPTION	DATE	DWN	APVD		
A1		RELEASED PER ECO-12-013192	18OCT2012	BMM	MRS		
A2		ADD PN -5	24DEC2019	IT	SH		



2198234
 FINISHED ASSEMBLY
 SCALE 3:1



SCALE 3:1

APPROX. DATE CODE LOCATION

- 1. MATERIAL:
 CAGE ASSEMBLY: 0.25mm THICK NICKEL SILVER ALLOY
 HEATSINK/LIGHTPIPE CLIP: STAINLESS STEEL
 LIGHT PIPE: POLYCARBONATE, CLEAR
 HEATSINK: ALUMINUM
- 2. FINISH:
 SPRINGS: MINIMUM OF 0.8um TIN PLATE OVER A MINIMUM OF 0.8um NICKEL UNDERPLATE.
 NON-PLATED EDGES PERMISSIBLE.
 HEATSINK: ELECTROLESS NICKEL
 HEATSINK/LIGHTPIPE CLIP: PASSIVATE
- 3. PADS AND VIAS CHASSIS GROUND.
- 4. DATUM AND BASIC DIMENSION ESTABLISHED BY CUSTOMER.
- 5. MATES WITH SFP MSA COMPLIANT TRANSCEIVERS.
- 6. INTERPRETATION OF DATUM REFERENCE FRAME IN ACCORDANCE WITH SECT 4.4.1.1 OF ASME Y14.5M-1994.
- 7. REFERENCE APPLICATION SPEC. 114-13120, HOLE A, FOR RECOMMENDED DRILL HOLE DIAMETER AND PLATING THICKNESS.
- 8. REFERENCE APPLICATION SPEC. 114-13120, HOLE B, FOR RECOMMENDED DRILL HOLE DIAMETER AND PLATING THICKNESS.
- 9. HOLE PATTERN REPEATS FOR EACH PORT. SPACING BETWEEN PORTS IS 14.25mm.
- 10. MINIMUM PC BOARD THICKNESS:
 SINGLE SIDED = 1.50mm
 DOUBLE SIDED = 2.25mm
- 11. CERTAIN MATING TRANSCEIVERS MAY REQUIRE ADDITIONAL PCB THICKNESS THAT WOULD BE DETERMINED BY THE CUSTOMER.
- 12. PRODUCT COMPLIES WITH SPECIFICATION SFF-8433 IMPROVED PLUGGABLE FORM FACTOR FOR SFP+ GANGED CAGES.
- 13. DIMENSION APPLIES PRIOR TO INSERTION OF SFP MODULE
- 14. HEATSINK, HEATSINK CLIP, AND LIGHTPIPE SHIPPED UNASSEMBLED TO CAGE ASSEMBLY. CAGE ASSEMBLY TO BE PRESSED INTO PCB PRIOR TO ATTACHING HEATSINK, HEATSINK CLIP, AND LIGHTPIPE TO THE CAGE ASSEMBLY.
- 15. PACKAGED AS A COMPLETE ASSEMBLY.

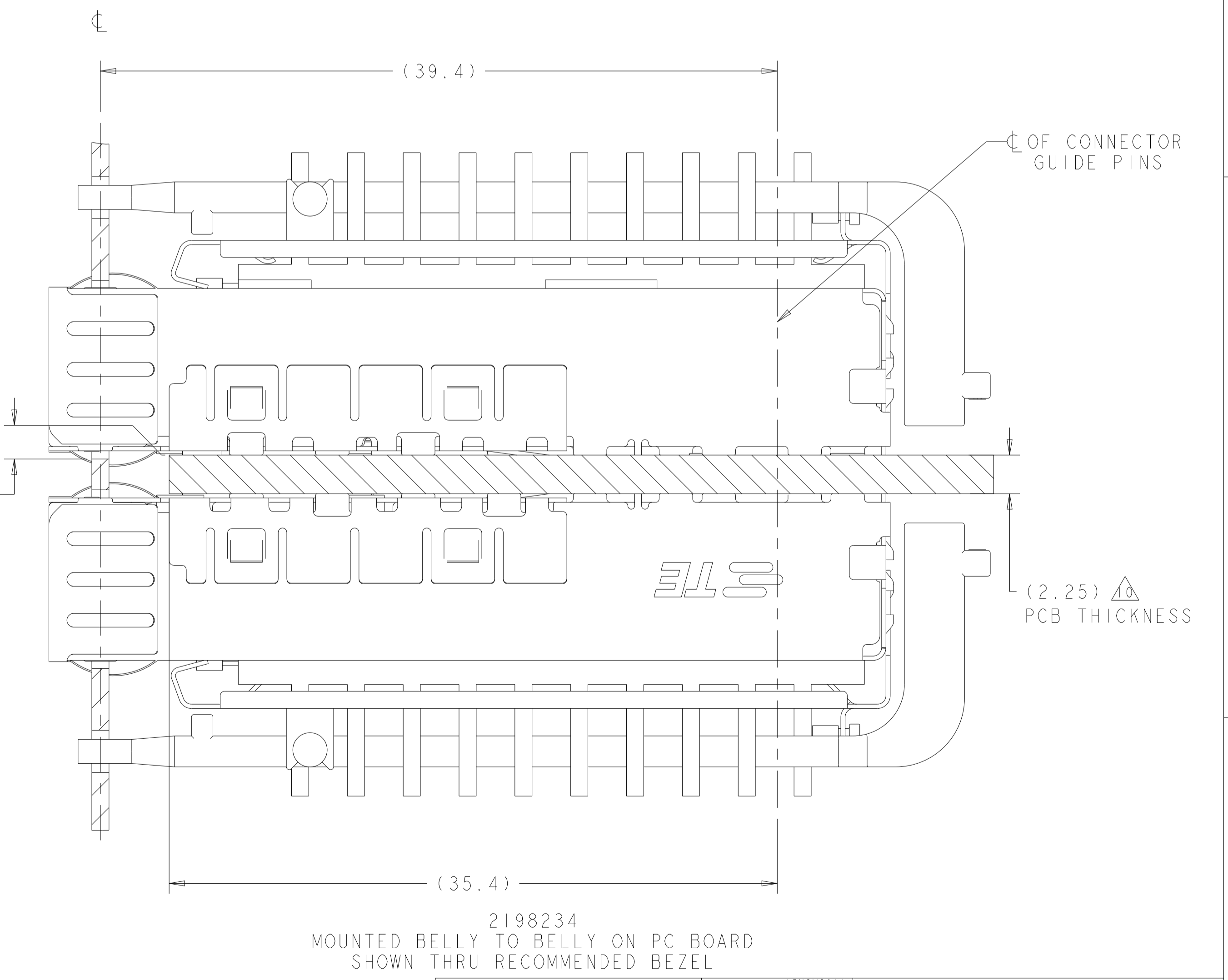
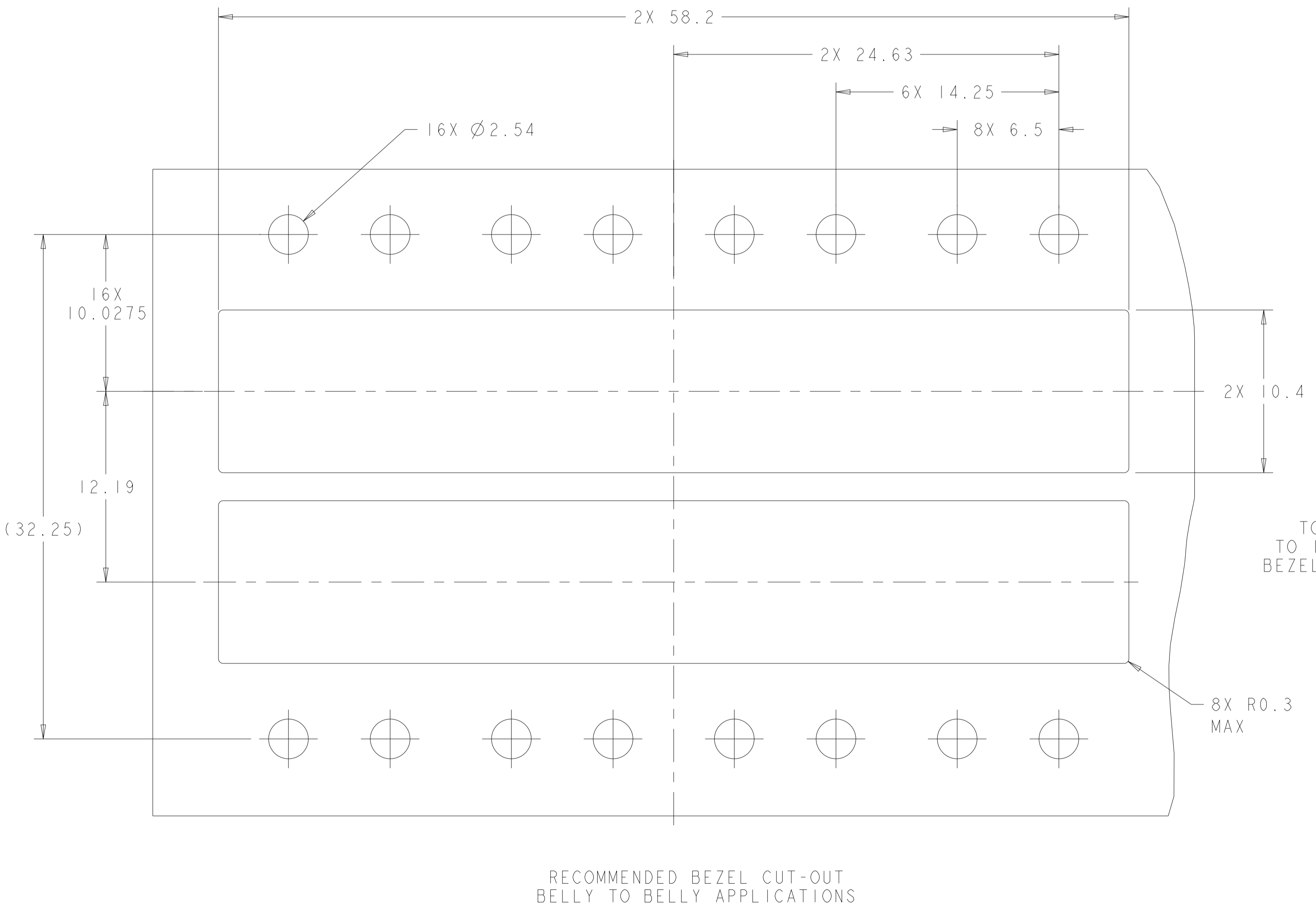
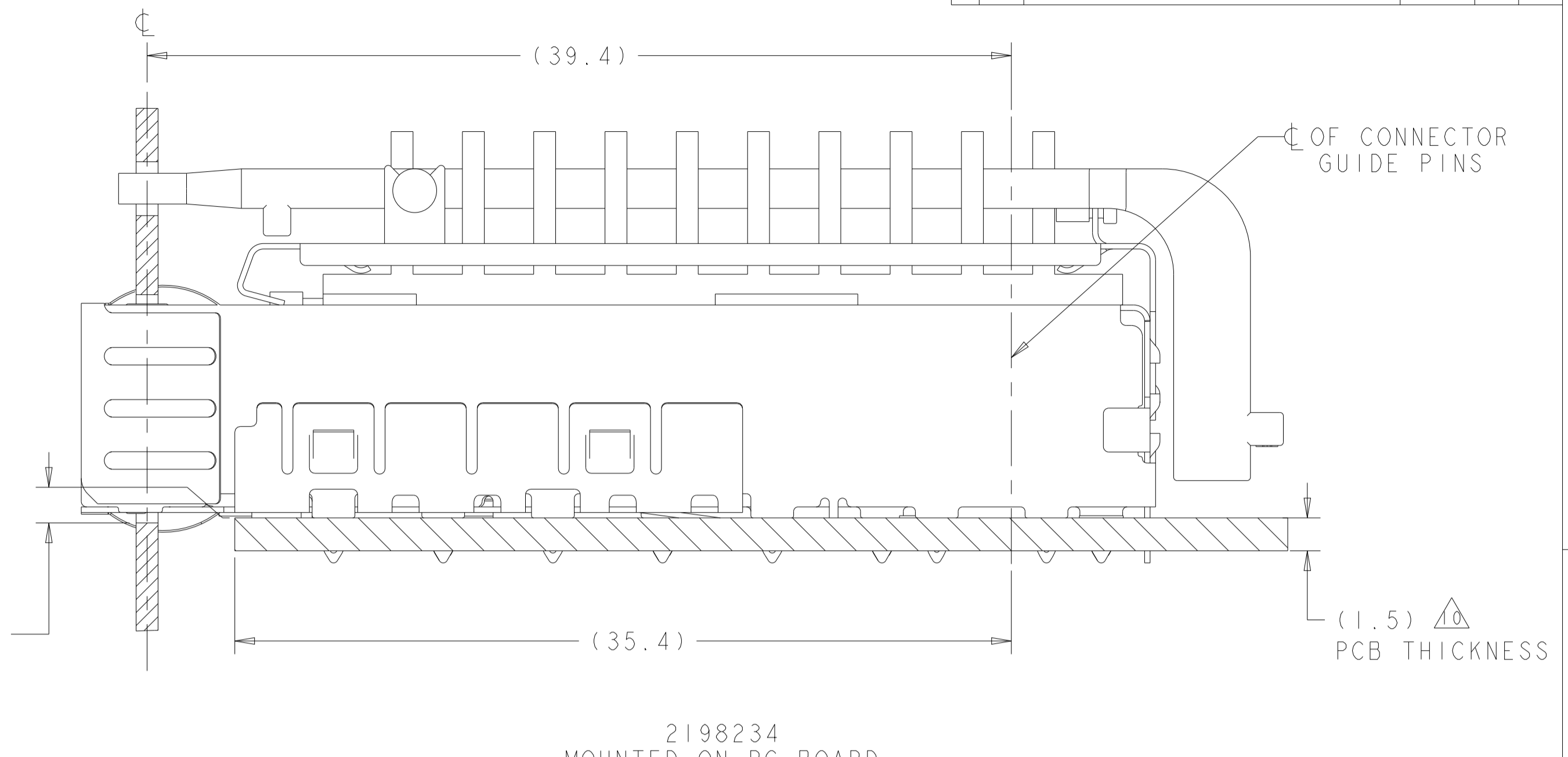
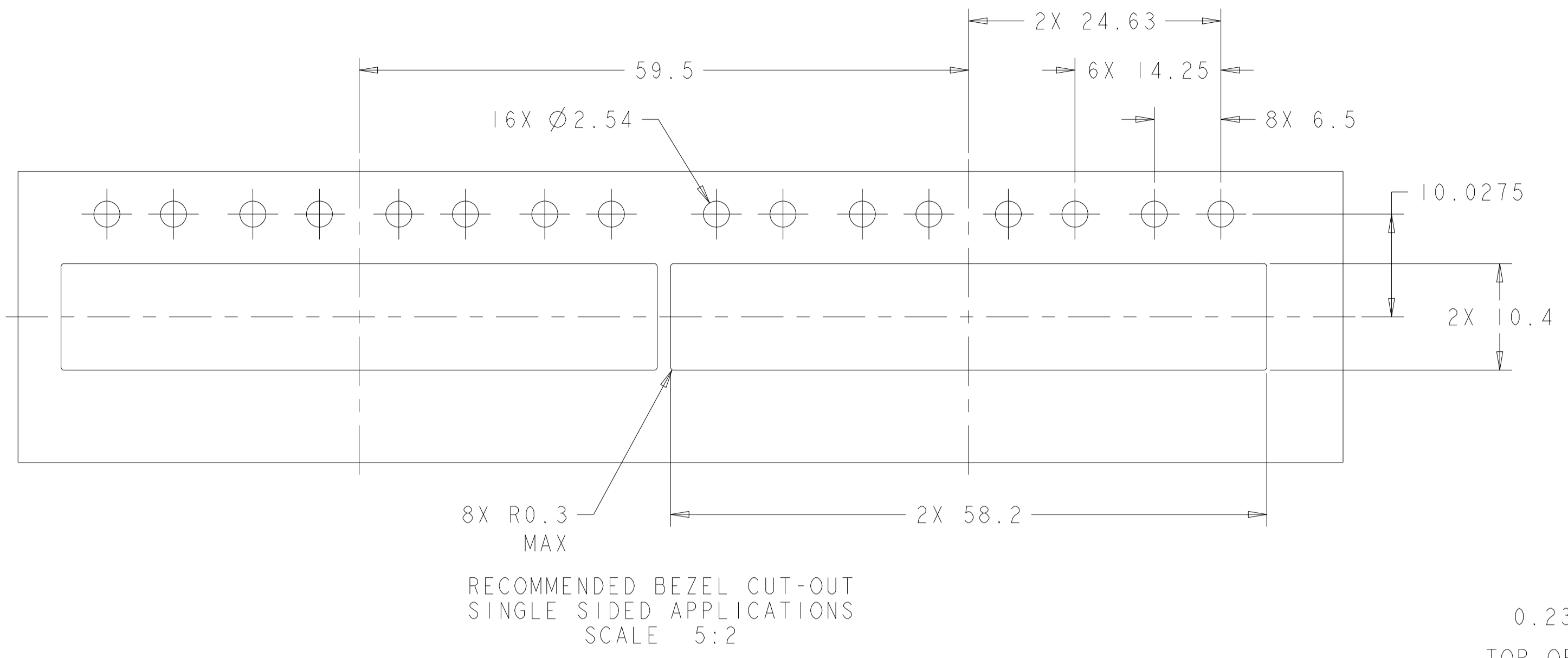
15.5	SAN	2198234-5
22.5	NETWORKING, TALL	2198234-4
18.1	NETWORKING, SHORT	2198234-3
15.5	SAN	2198234-2
13.2	PCI	2198234-1
A MAX	APPLICATION	PART NUMBER

THIS DRAWING IS A CONTROLLED DOCUMENT.

DIMENSIONS:	TOLERANCES UNLESS OTHERWISE SPECIFIED:	DWN B. MATTHEWS 15NOV2011	TE Connectivity
mm	0 PLC ±0.1	CHK M. SCHMITT 15NOV2011	
	1 PLC ±0.1	APVD M. SCHMITT 15NOV2011	
	2 PLC ±0.1	PRODUCT SPEC 108-2364	
	3 PLC ±0.1	APPLICATION SPEC 114-13120	NAME SFP+ ENHANCED 1X4 CAGE ASSEMBLY, PRESS FIT, EXTERNAL EMI SPRINGS WITH HEATSINK AND LIGHTPIPE
	4 PLC ±0.1	WEIGHT	SIZE CAGE CODE DRAWING NO RESTRICTED TO
MATERIAL	ANGLES ±1°	FINISH	A1 00779 C=2198234
			Customer Drawing SCALE 5:1 SHEET 1 OF 4 REV A2

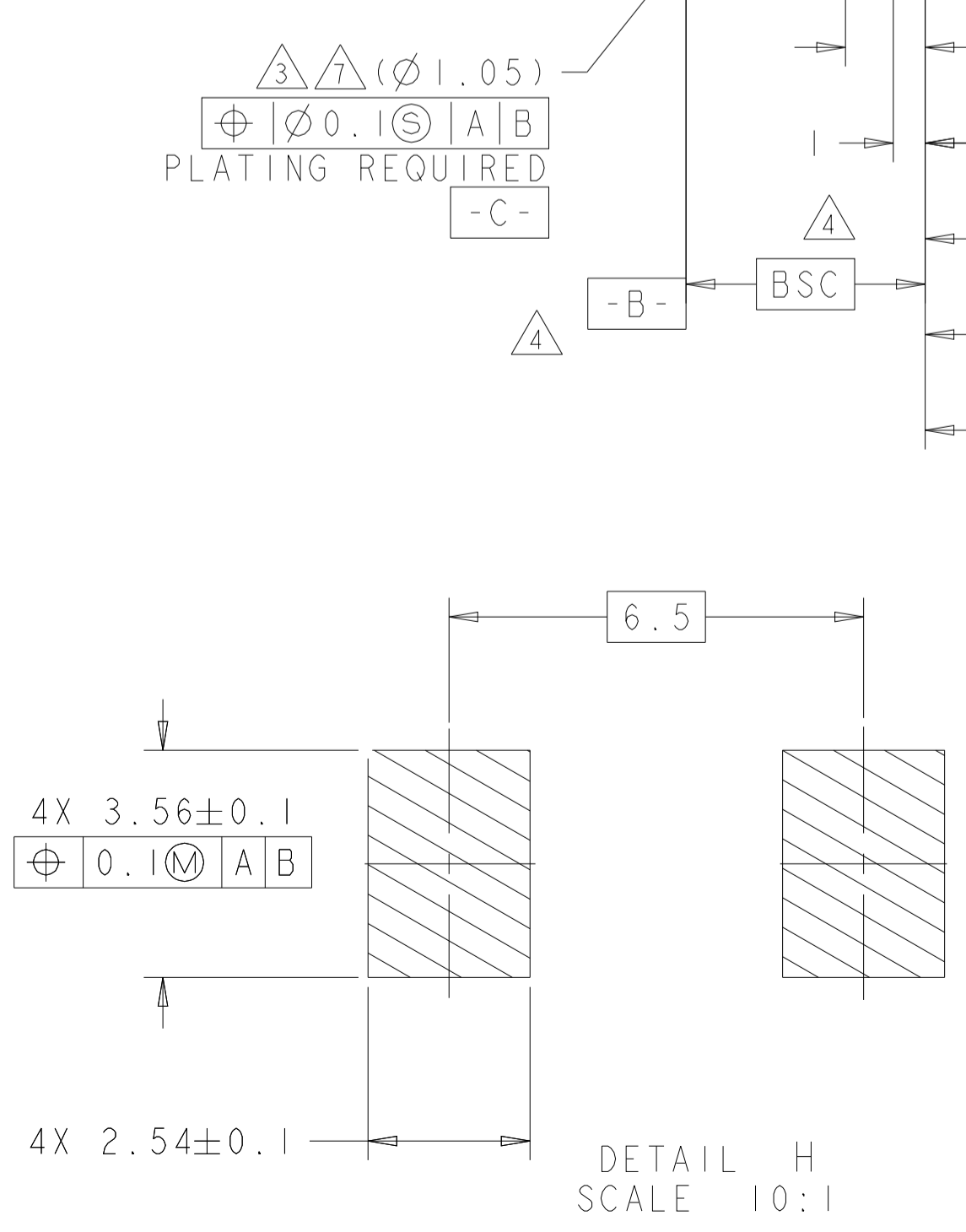
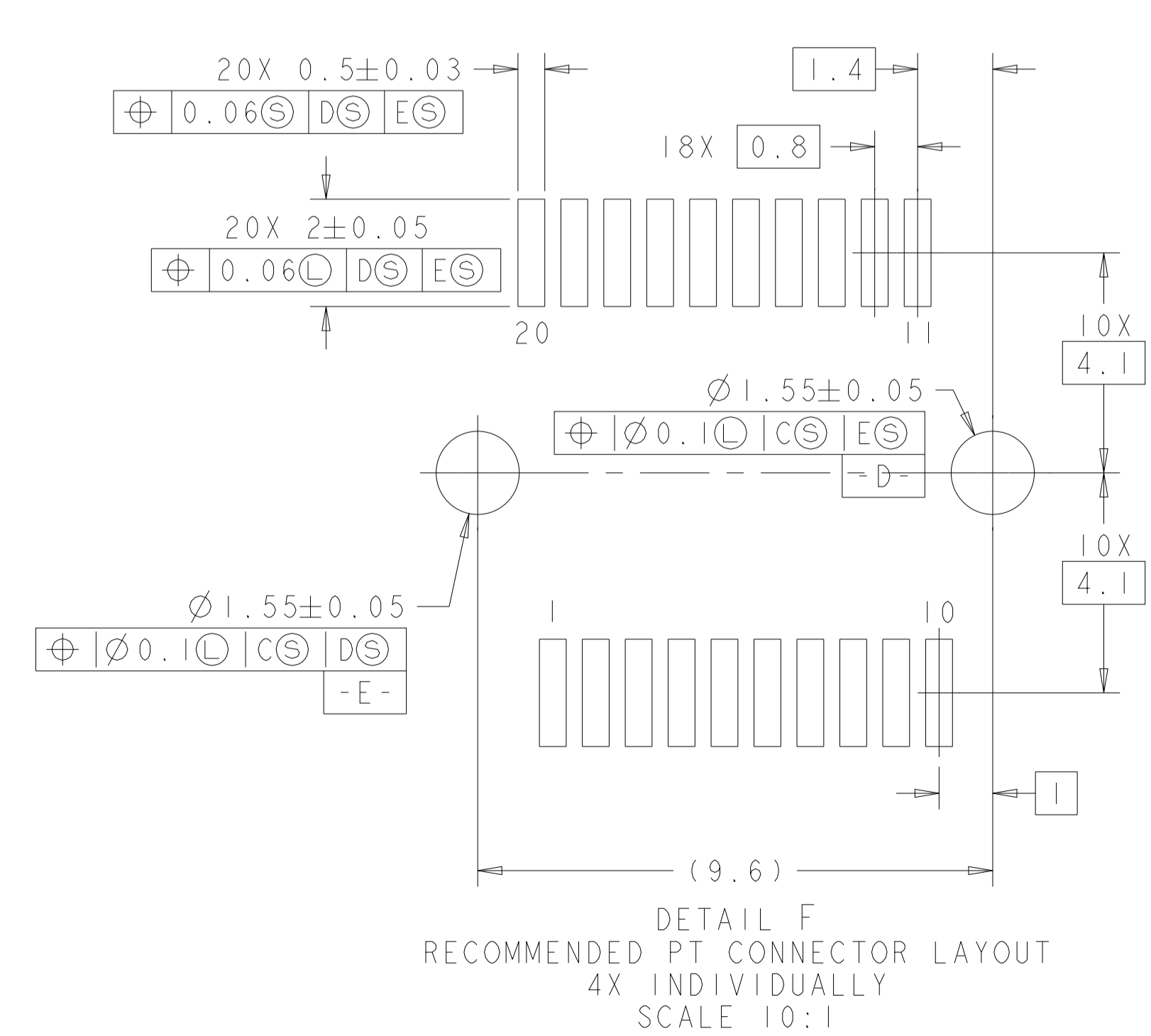
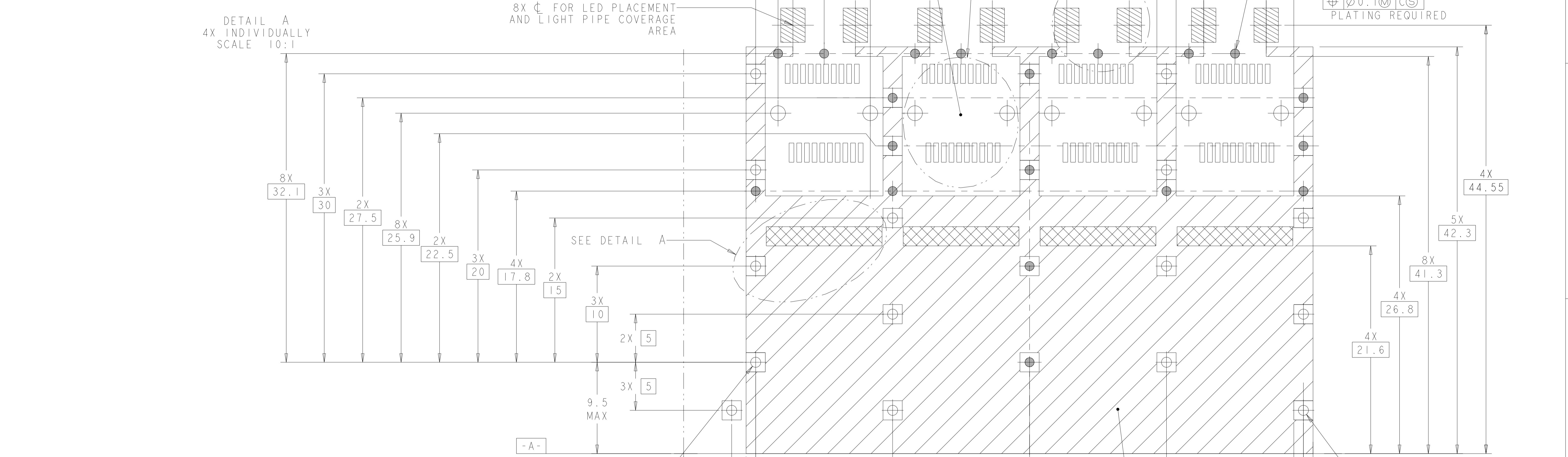
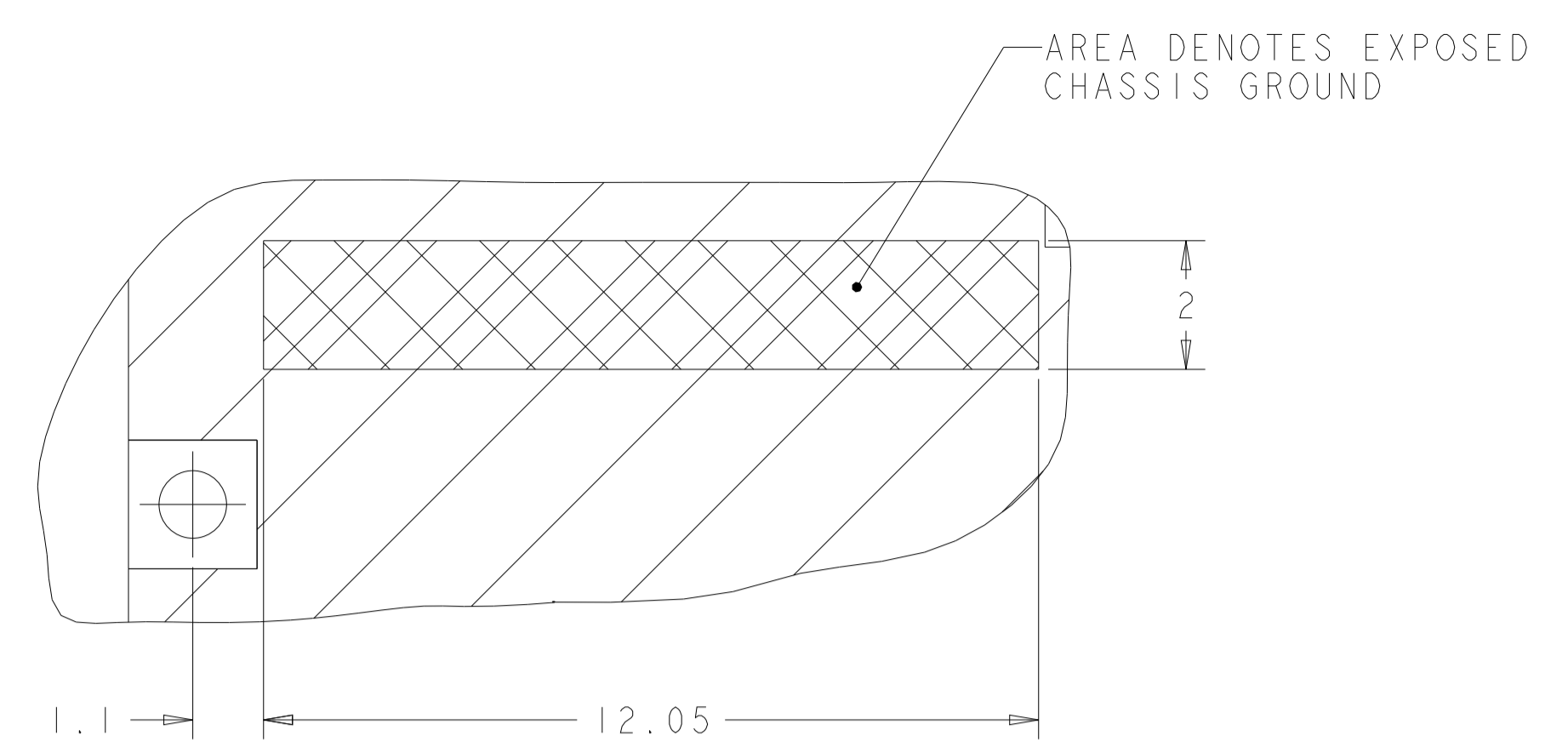
LOC	DIST	REV	DATE	BY	APPV
GP	00				

REVISIONS		DATE	BY	APPV
-	SEE SHEET 1	-	-	-



THIS DRAWING IS A CONTROLLED DOCUMENT.		OWN: B. MATTHEWS 15NOV2011	TE Connectivity
DIMENSIONS: mm		CHK: M. SCHMITT 15NOV2011	
TOLERANCES UNLESS OTHERWISE SPECIFIED:		APVD: M. SCHMITT 15NOV2011	NAME: SFP+ ENHANCED 1X4 CAGE ASSEMBLY, PRESS FIT, EXTERNAL EMI SPRINGS WITH HEATSINK AND LIGHTPIPE PRODUCT SPEC: 108-2364 APPLICATION SPEC: 114-13120
0 PLC ±0.1 1 PLC ±0.1 2 PLC ±0.1 3 PLC ±0.1 4 PLC ±0.1 ANGLES ±1°		SIZE: 114-13120 WEIGHT: - Customer Drawing	
MATERIAL FINISH		RESTRICTED TO	SCALE: 4:1 SHEET: 2 OF 4 REV: A2

LOC	DIST	REVISIONS					
GP	00	P	LTN	DESCRIPTION	DATE	OWN	APVD
		-	-	SEE SHEET 1	-	-	-

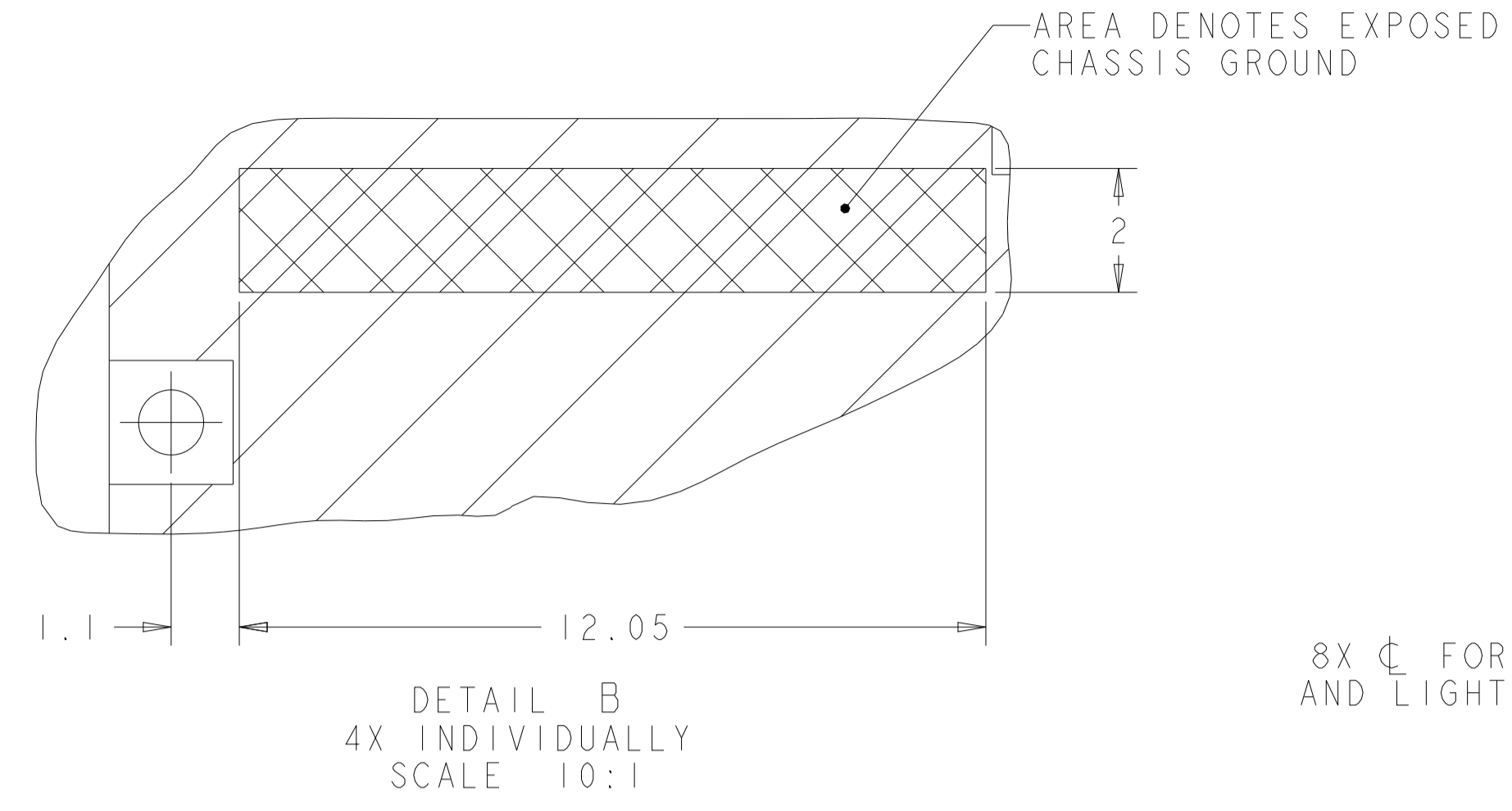


RECOMMENDED PCB CONFIGURATION WITH KEEP-OUT AREAS SINGLE SIDED APPLICATIONS SCALE 5:1

CROSS-HATCHED AREA DENOTES COMPONENT AND TRACE KEEP-OUT (EXCEPT CHASSIS GROUND)

THIS DRAWING IS A CONTROLLED DOCUMENT.		OWN: B. MATTHEWS (15NOV2011)	TE Connectivity
DIMENSIONS: mm		CHK: M. SCHMITT (15NOV2011)	
TOLERANCES UNLESS OTHERWISE SPECIFIED:		APVD: M. SCHMITT (15NOV2011)	NAME: SFP+ ENHANCED 1X4 CAGE ASSEMBLY, PRESS FIT, EXTERNAL EMI SPRINGS WITH HEATSINK AND LIGHTPIPE PRODUCT SPEC: 108-2364 APPLICATION SPEC: SIZE: 114-13120 WEIGHT: Customer Drawing
0 PLC ±0.1		RESTRICTED TO	
1 PLC ±0.1		SCALE: 4:1	
2 PLC ±0.1		SHEET 3 OF 4	
3 PLC ±0.1		REV: A2	
4 PLC ±0.1			
ANGLES ±1°			
FINISH			

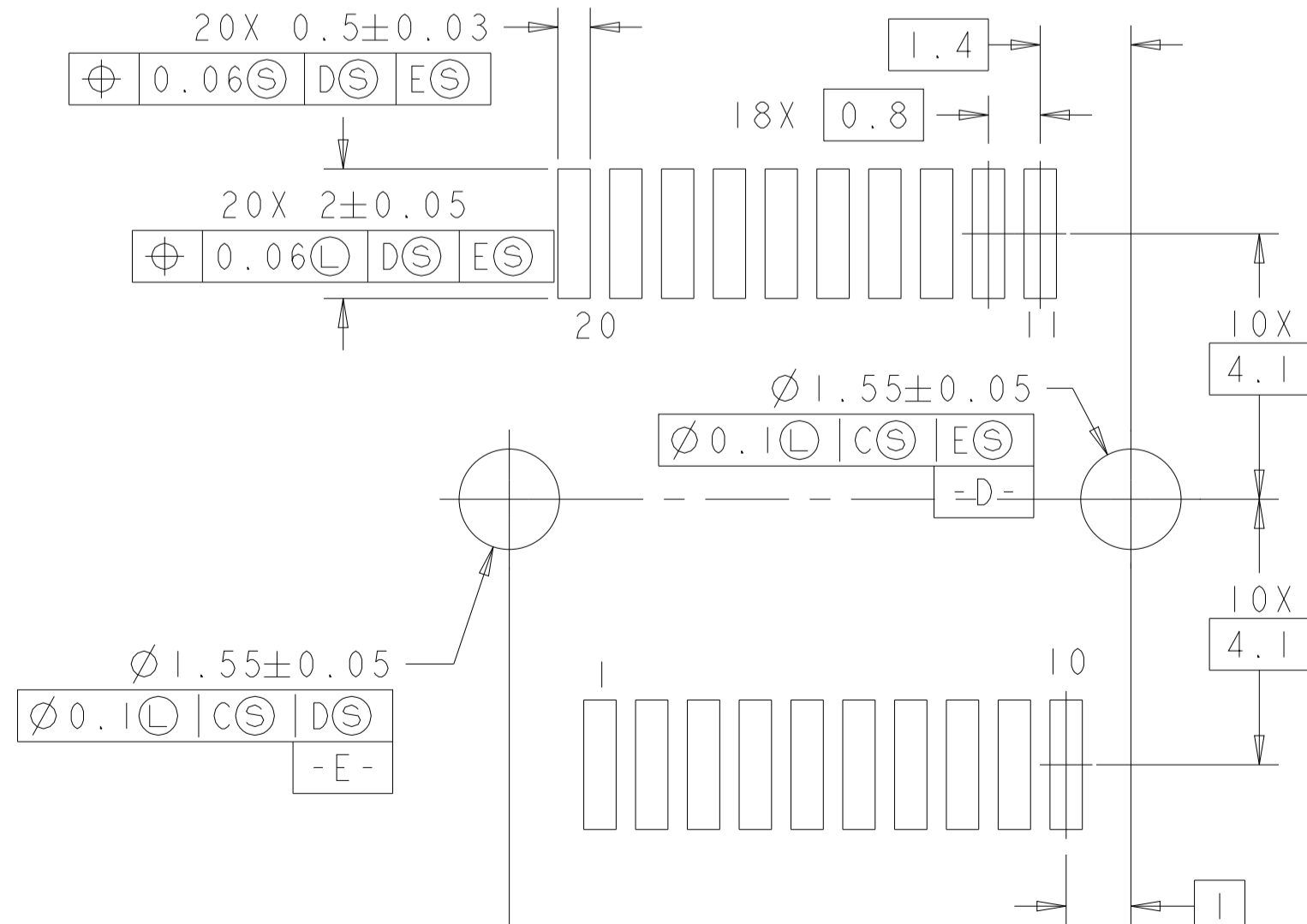
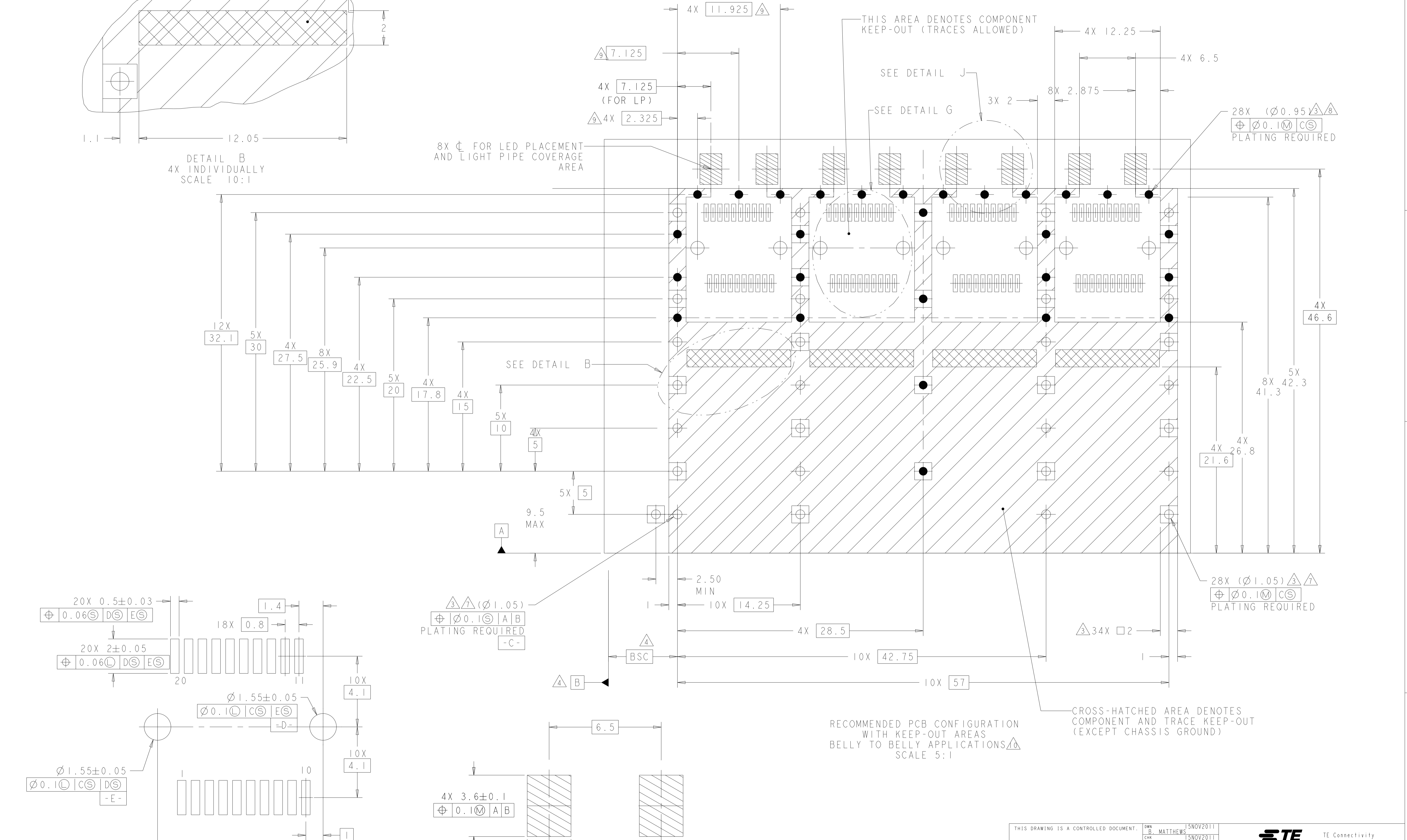
LOC		DIST		REVISONS				
P	LYR	DATE	DNW	APVD	DESCRIPTION	DATE	DNW	APVD
-	-	-	-	-	SEE SHEET 1	-	-	-



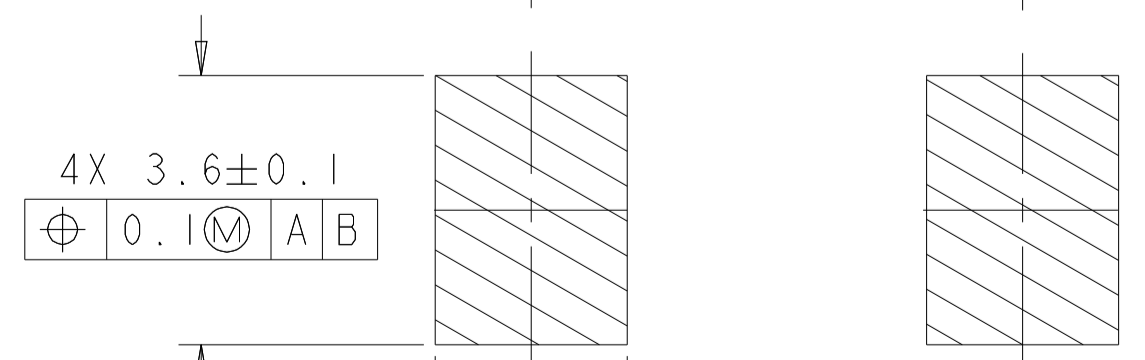
DETAIL B
 4X INDIVIDUALLY
 SCALE 10:1

8X Ø FOR LED PLACEMENT
 AND LIGHT PIPE COVERAGE
 AREA

THIS AREA DENOTES COMPONENT
 KEEP-OUT (TRACES ALLOWED)



DETAIL G
 RECOMMENDED PT CONNECTOR LAYOUT
 8X INDIVIDUALLY
 SCALE 10:1



DETAIL J
 SCALE 10:1

THIS DRAWING IS A CONTROLLED DOCUMENT.		DNW: B. MATTHEWS (15NOV2011)		TE Connectivity
DIMENSIONS:		CHK: M. SCHMITT (15NOV2011)		
mm		APVD: M. SCHMITT (15NOV2011)		NAME: SFP+ ENHANCED 1X4 CAGE ASSEMBLY, PRESS FIT, EXTERNAL EMI SPRINGS WITH HEATSINK AND LIGHTPIPE
TOLERANCES UNLESS OTHERWISE SPECIFIED:		PRODUCT SPEC		
0 PLC ±0.1 1 PLC ±0.1 2 PLC ±0.1 3 PLC ±0.1 4 PLC ±0.1 ANGLES ±1°		APPLICATION SPEC		SIZE: CAGE CODE DRAWING NO RESTRICTED TO A100779C=2198234
MATERIAL:		WEIGHT:		
FINISH:		Customer Drawing		SCALE: 4:1 SHEET 4 OF 4 REV: A2