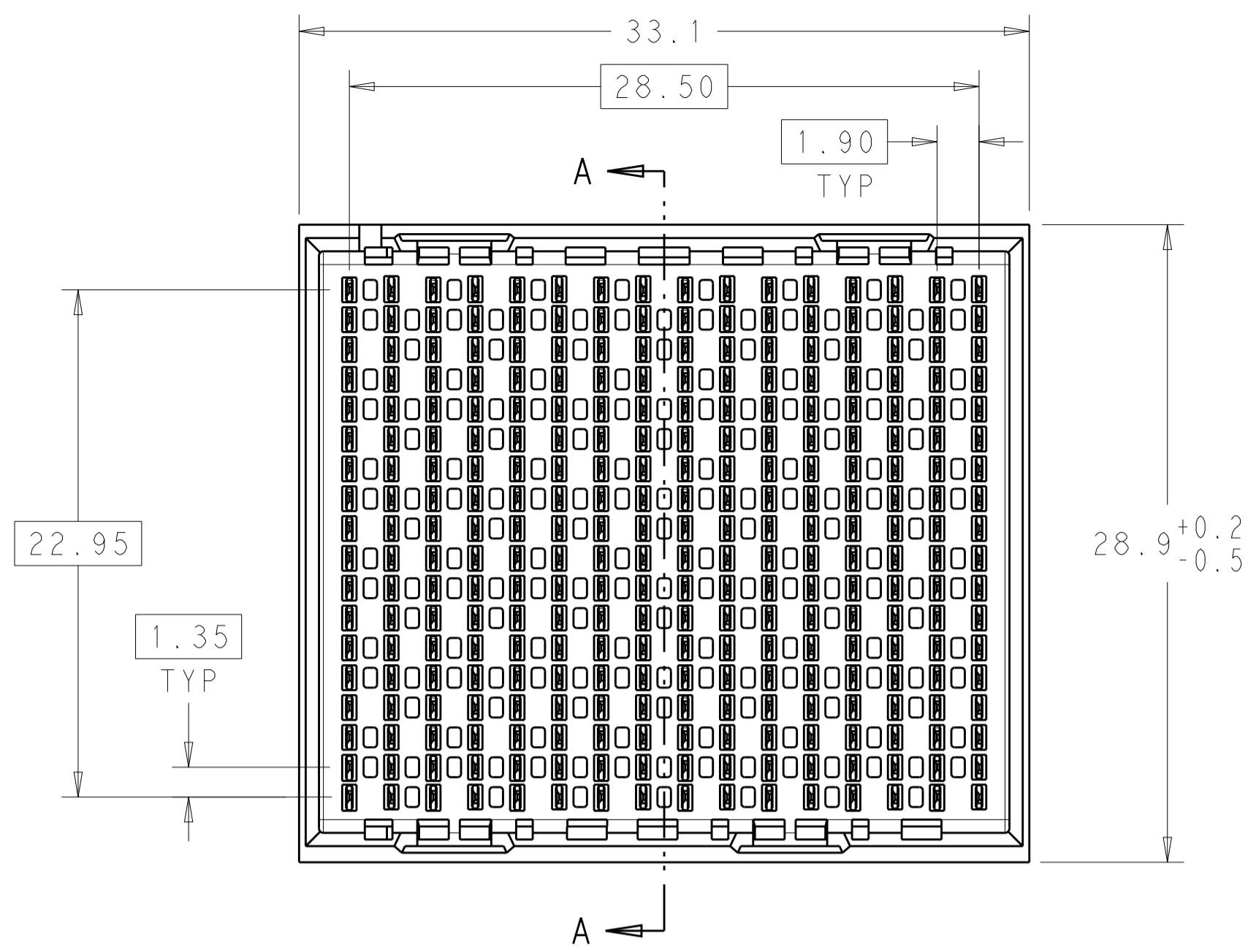
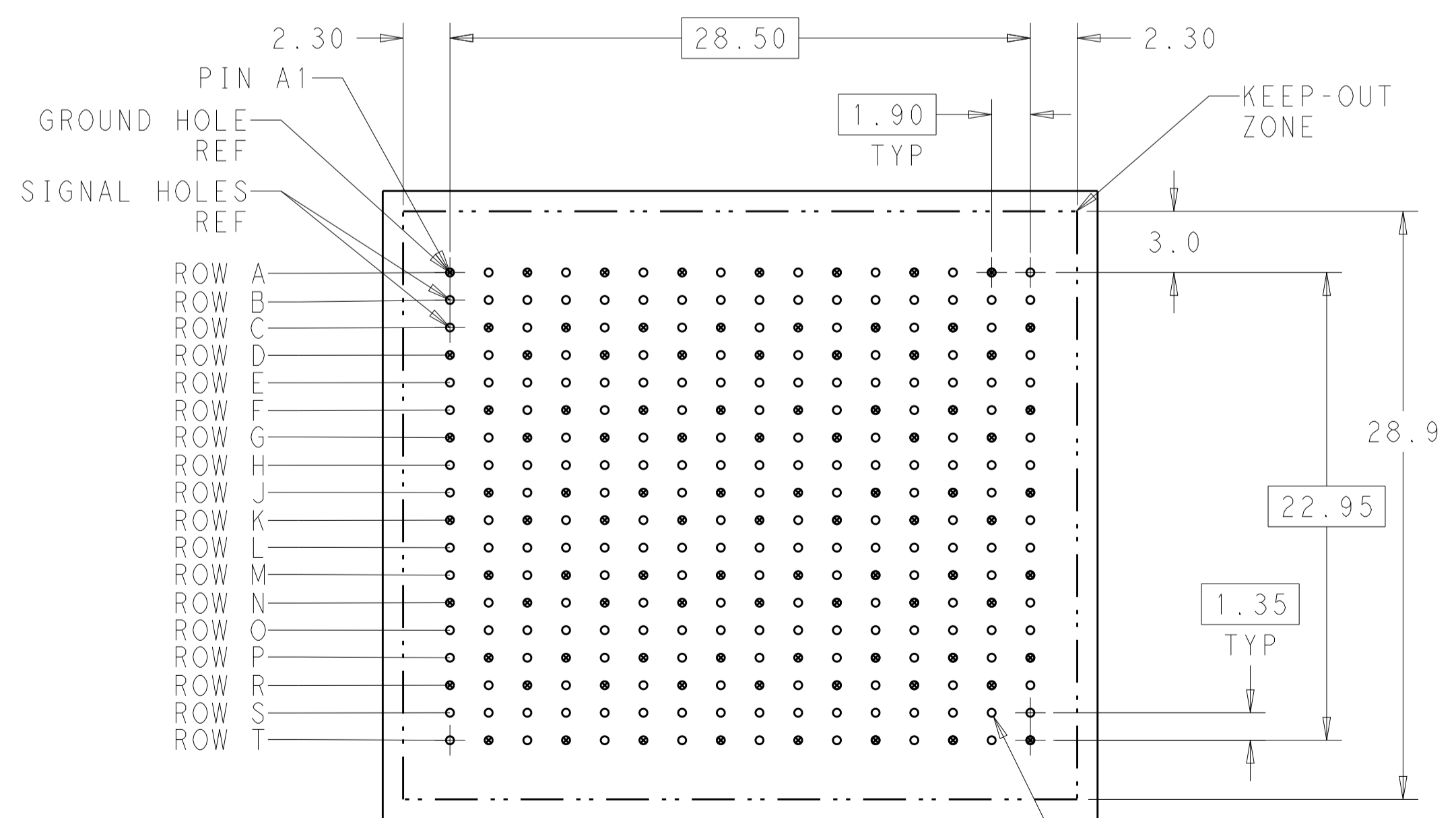
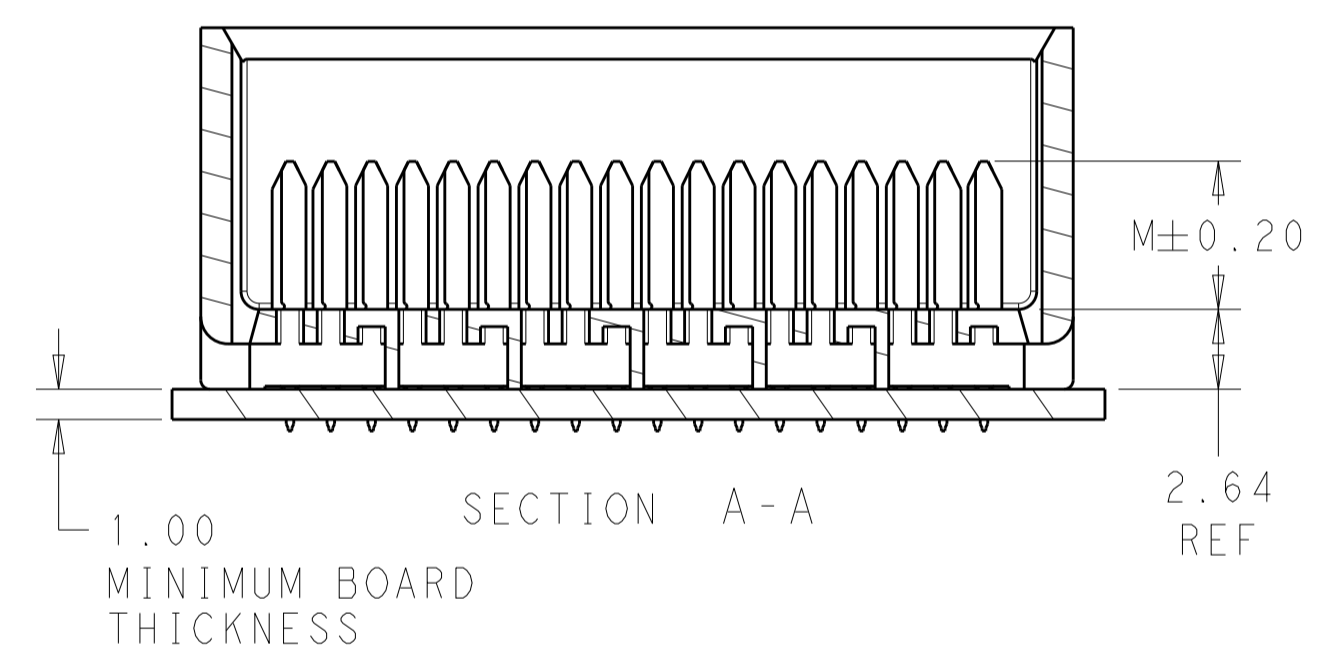
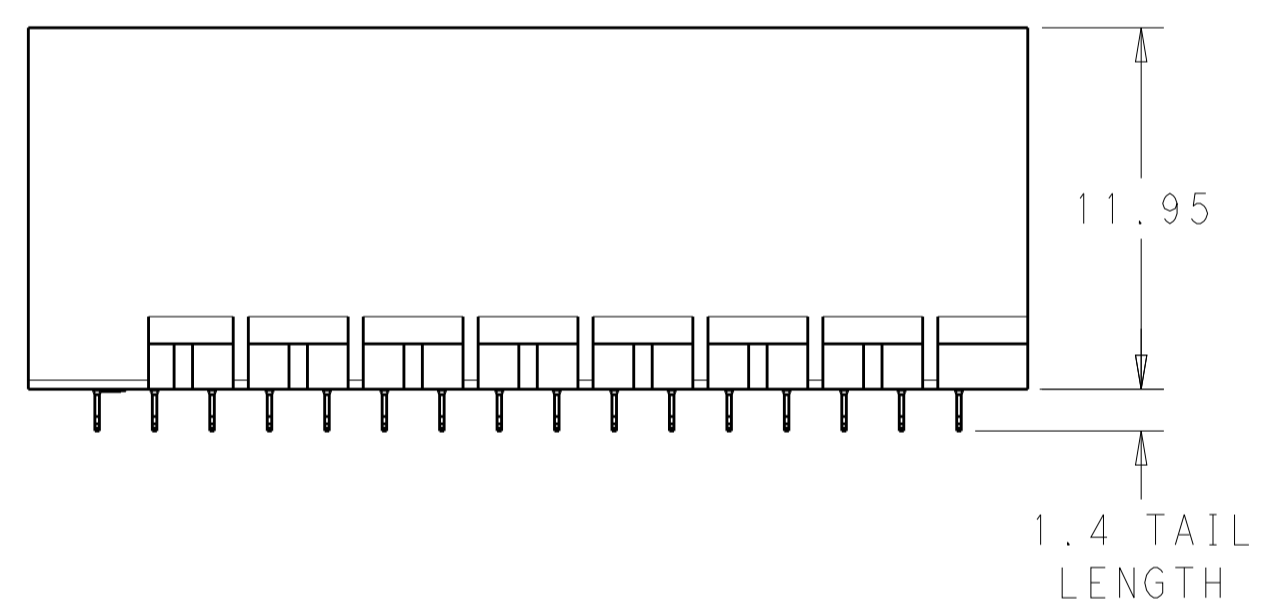
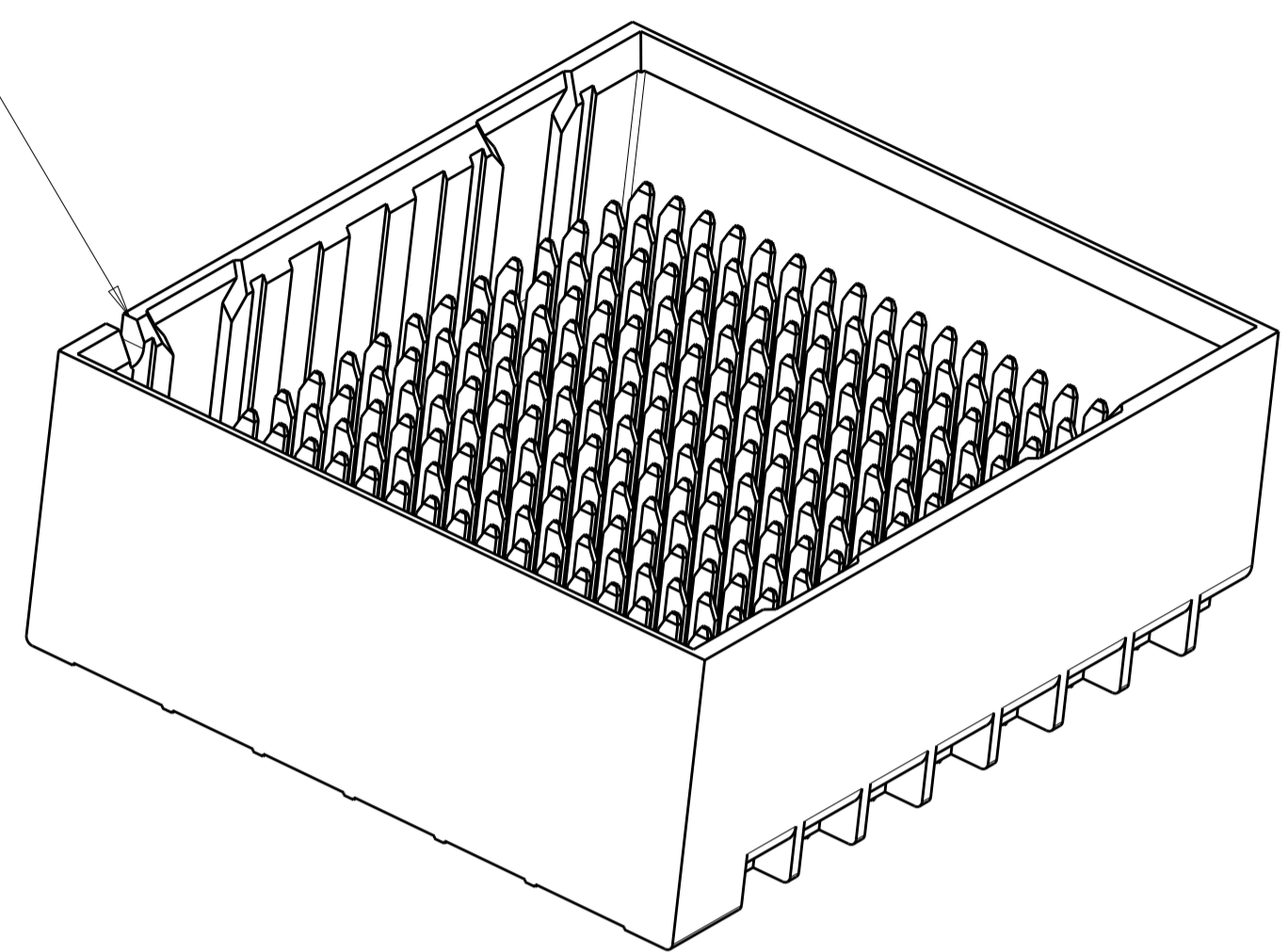


LOC		DIST		REVISIONS			
AD	00	P	LTN	DESCRIPTION	DATE	DWN	APVD
		A		REVISED PER ECO-15-003242	24MAR2015	AP	DD



NOTCH DESIGNATES ROW A



288X  $\varnothing P \pm 0.05$  PLATED THRU HOLE  
 288X  $\varnothing D \pm 0.013$  DRILL HOLE  
 $\varnothing \varnothing 0.10$

UNGUIDED BACKPLANE HOLE PATTERN (CONNECTOR SIDE)

THIS DRAWING IS A CONTROLLED DOCUMENT.		DWN Z. MILLER 12MAR2013	TE Connectivity NAME: IMPACT 85 OHM, STANDARD 6 PAIR PLUS, 16 COLUMN HEADER, UNGUIDED, DUAL ENDWALL, SIGNAL MODULE PRODUCT SPEC APPLICATION SPEC SIZE: CAGE CODE DRAWING NO: A100779 C=2198138 WEIGHT: - Customer Drawing	RESTRICTED TO	
DIMENSIONS: mm		CHK D. DIXON 12MAR2013		SCALE 4:1	SHEET 1 OF 2
TOLERANCES UNLESS OTHERWISE SPECIFIED: 0 PLC ± 1 PLC ±0.25 2 PLC ±0.13 3 PLC ± 4 PLC ± ANGLES ±		APVD D. DIXON 12MAR2013		REV A	
MATERIAL FINISH SEE TABLE					


THIS DRAWING IS UNPUBLISHED. RELEASED FOR PUBLICATION 20  
 © COPYRIGHT 20 BY - ALL RIGHTS RESERVED.

LOC	DIST	REVISIONS					
		P	LTN	DESCRIPTION	DATE	DMN	APVD
AD	00	-	-	SEE SHEET 1	-	-	-

- ① MATERIAL:  
HOUSING: LCP, GLASS FILLED, UL94V-0.  
TERMINALS: HIGH PERFORMANCE COPPER ALLOY.
- ② FINISH:  
30μ" MIN GOLD IN CONTACT AREA. SELECTIVE TIN  
ON PCB TAILS, NICKEL OVERALL.
- 3. SCREWS PACKAGED IN END OF PACKAGING TUBE.
- ④ FOR GROUNDED GUIDE PIN USE Ø3.56±0.08 PTH,  
Ø3.66 DRILL, AND Ø6.5 PAD.
- 5. KEYING PIN SHOWN IN POSITION A, SEE KEYING CHART  
ON SHEET 2 FOR OTHER POSITIONS.

0.55	0.46	5.5	2198138-6
0.55	0.46	4.9	2198138-5
0.55	0.46	4.5	2198138-4
0.48	0.39	5.5	2198138-3
0.48	0.39	4.9	2198138-2
0.48	0.39	4.5	2198138-1
D DRILL HOLE SIZE	P PLATED THROUGH HOLE SIZE	M POST LENGTH	PART NUMBER

REFER TO WWW.TE.COM  
FOR PRODUCT AVAILABILITY

THIS DRAWING IS A CONTROLLED DOCUMENT.		DMN Z. MILLER 12MAR2013	 TE Connectivity
DIMENSIONS: mm		CHK D. DIXON 12MAR2013	
TOLERANCES UNLESS OTHERWISE SPECIFIED: 0 PLC ± 1 PLC ±0.25 2 PLC ±0.13 3 PLC ± 4 PLC ±		APVD D. DIXON 12MAR2013	NAME IMPACT, 85 OHM, STANDARD, 6 PAIR PLUS, 16 COLUMN HEADER, UNGUIDED, DUAL ENDWALL, SIGNAL MODULE
ANGLES FINISH SEE TABLE		PRODUCT SPEC APPLICATION SPEC WEIGHT Customer Drawing	RESTRICTED TO A100779C=2198138 SCALE 5:1 SHEET 2 OF 2 REV A