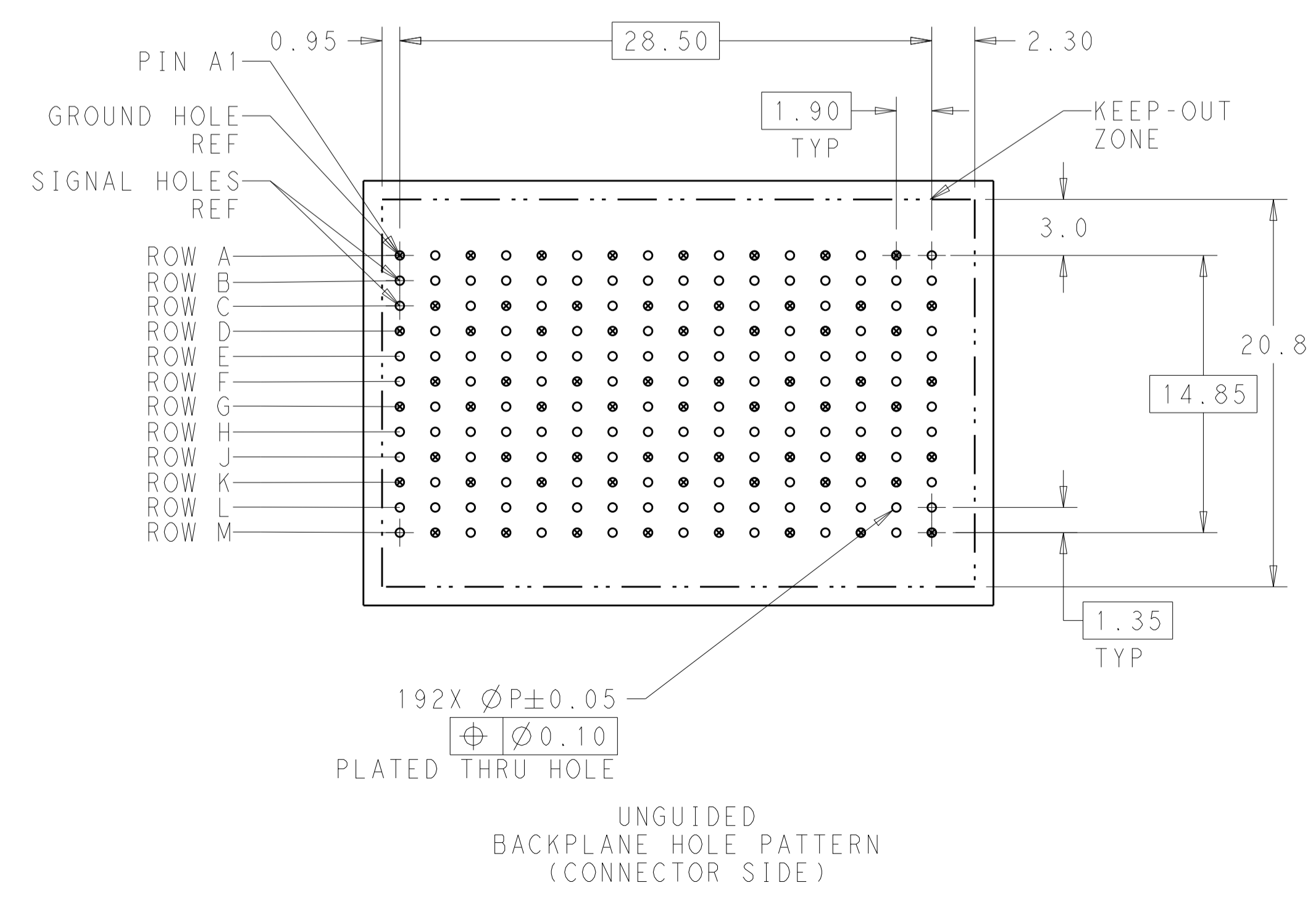
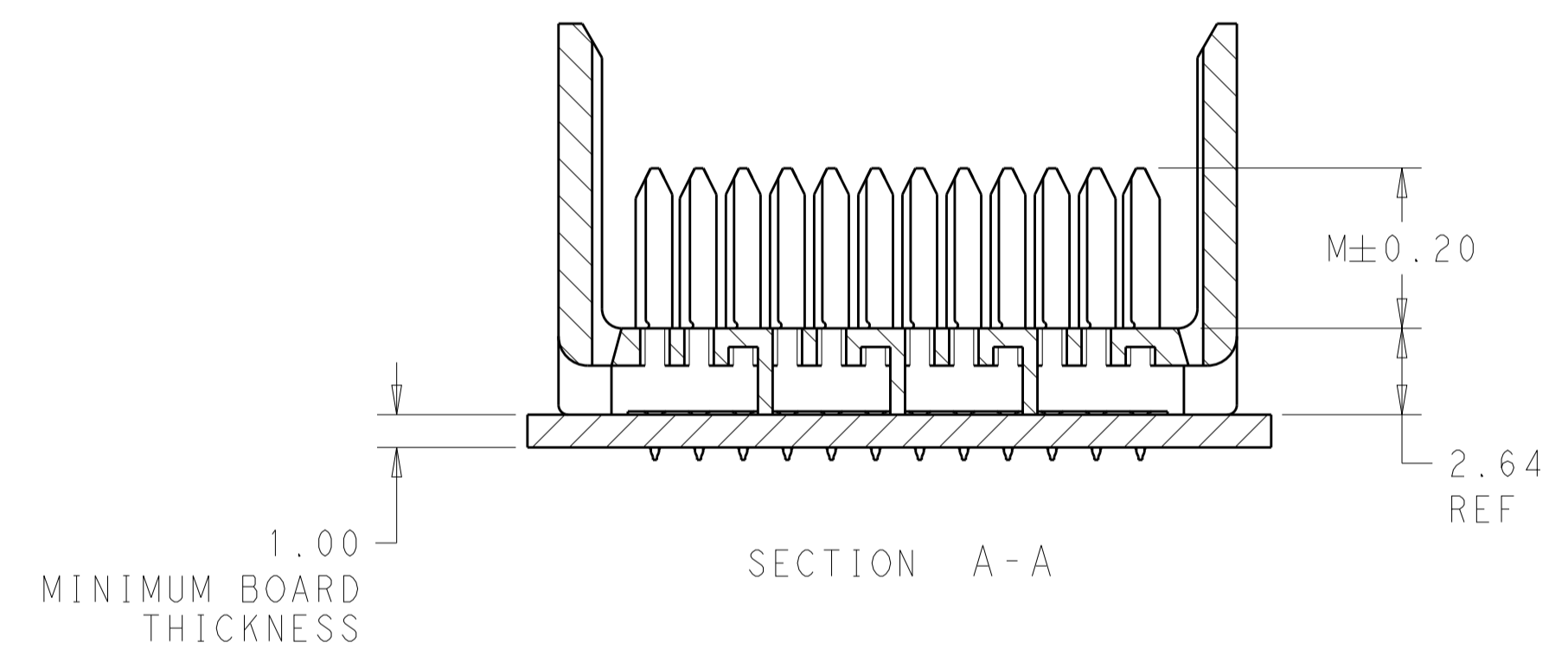
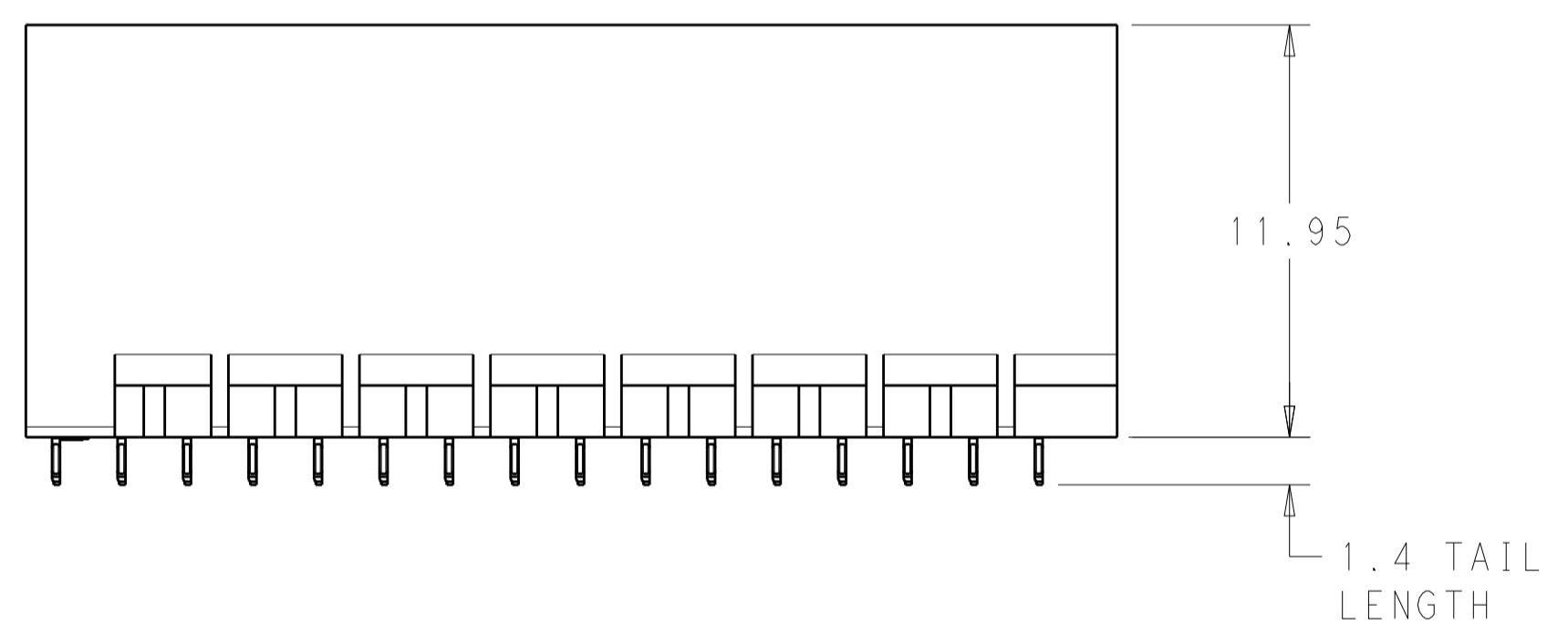
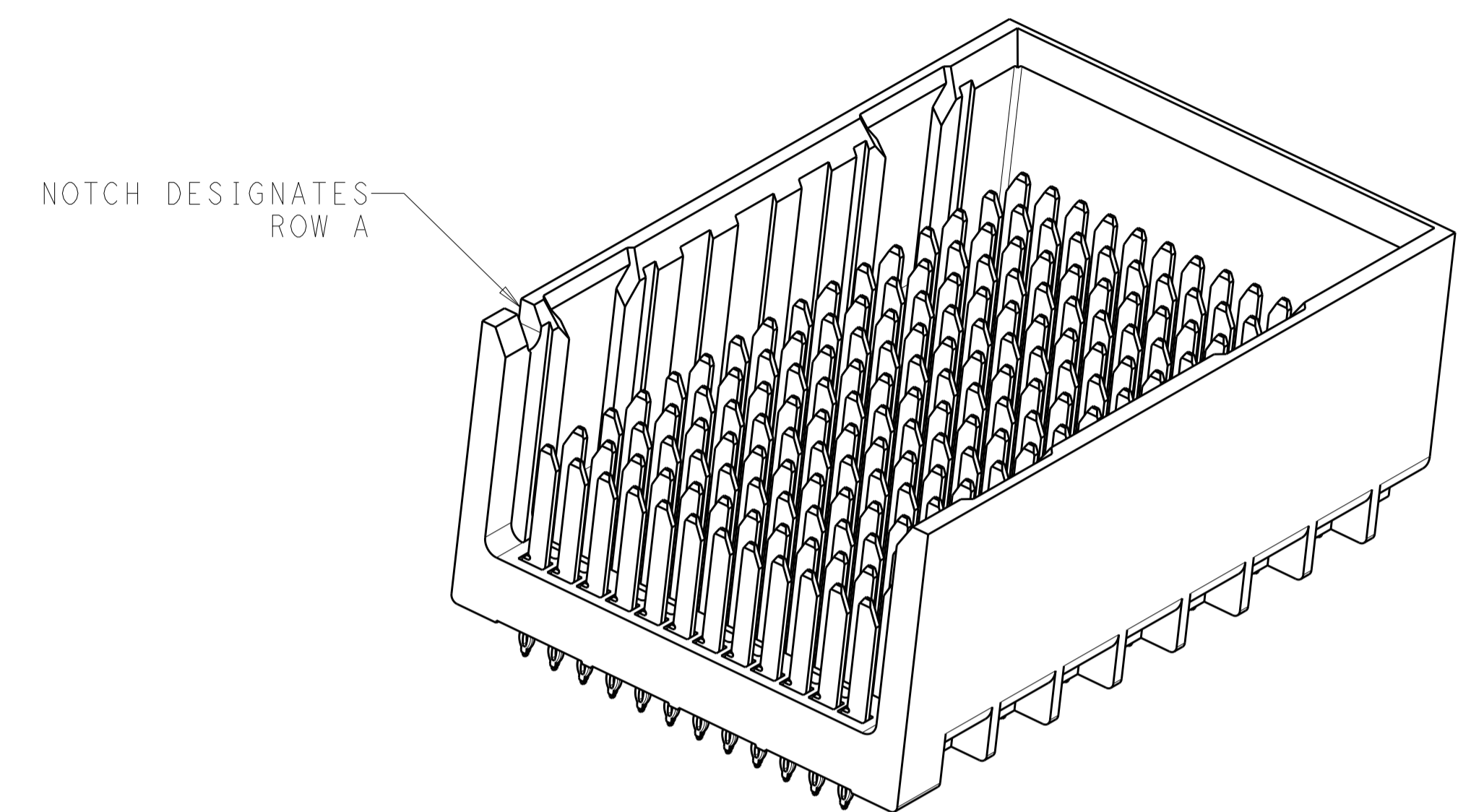
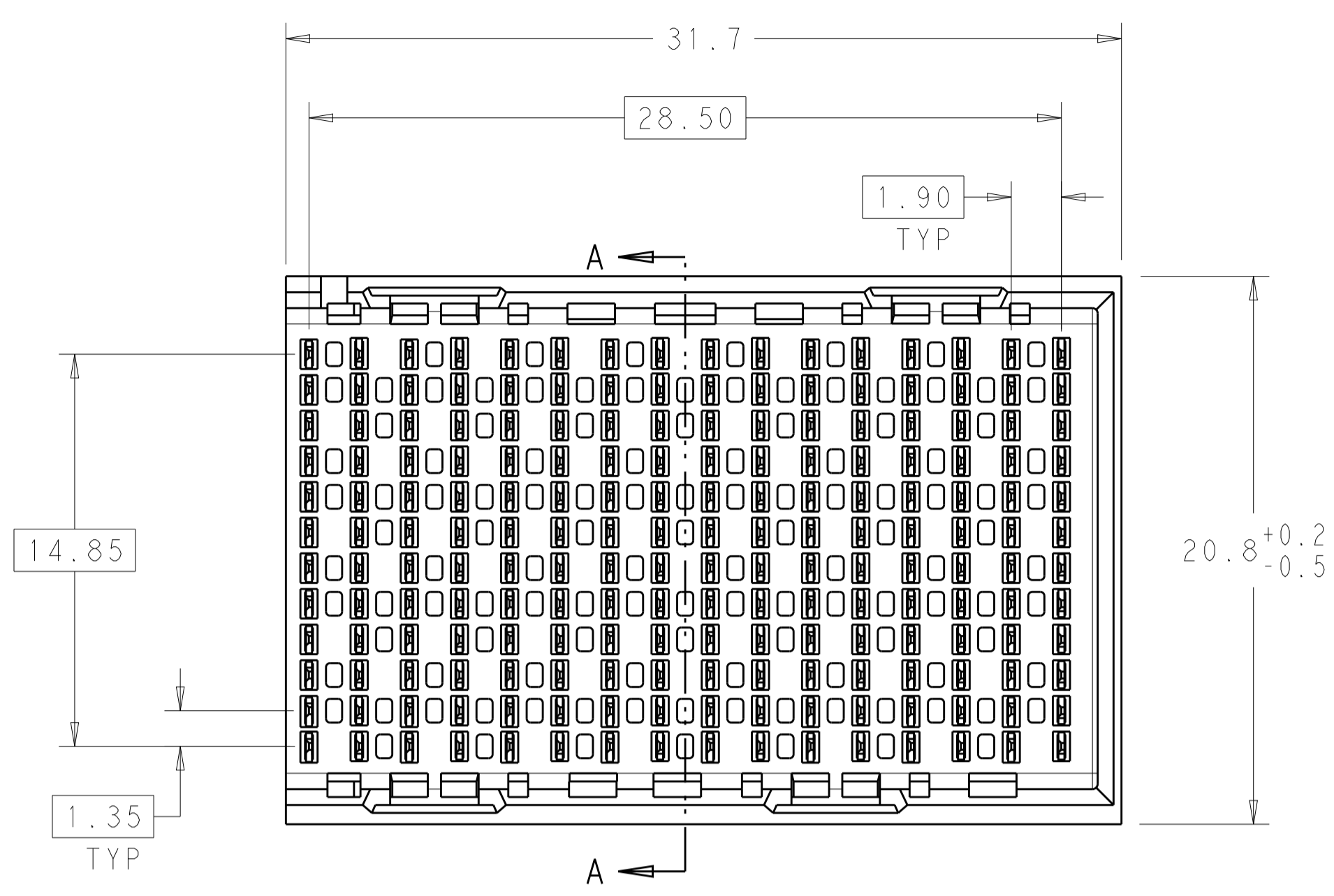


LOC		DIST		REVISIONS			
P	LTN	DESCRIPTION	DATE	DWN	APVD		
A		REVISED PER ECO-15-003242	24MAR2015	AP	DD		



THIS DRAWING IS A CONTROLLED DOCUMENT.		DWN: B. CARBO 19DEC2012	TE Connectivity
DIMENSIONS: mm		CHK: D. DIXON 19DEC2012	
TOLERANCES UNLESS OTHERWISE SPECIFIED:		APVD: D. DIXON 19DEC2012	NAME: IMPACT, 85 OHM, STANDARD, 4 PAIR PLUS, 16 COLUMN HEADER, UNGUIDED, RIGHT ENDWALL, SIGNAL MODULE
0 PLC	±	PRODUCT SPEC	SIZE: CAGE CODE DRAWING NO. RESTRICTED TO
1 PLC	±0.25	APPLICATION SPEC	A100779C=2198043
2 PLC	±0.13	WEIGHT	Customer Drawing
3 PLC	±	SCALE	5:1
4 PLC	±	SHEET	1 OF 2
ANGLES	±	REV	A

THIS DRAWING IS UNPUBLISHED. RELEASED FOR PUBLICATION 20
 © COPYRIGHT 20 BY - ALL RIGHTS RESERVED.

LOC	DIST	REVISIONS					
		P	LTN	DESCRIPTION	DATE	DMN	APVD
AD	00	-	-	SEE SHEET 1	-	-	-

- ① MATERIAL:
HOUSING: LCP, GLASS FILLED, UL94V-0.
TERMINALS: HIGH PERFORMANCE COPPER ALLOY.
- ② FINISH:
30μ" MIN GOLD IN CONTACT AREA. SELECTIVE TIN
ON PCB TAILS, NICKEL OVERALL.
- 3. SCREWS PACKAGED IN END OF PACKAGING TUBE.
- ④ FOR GROUNDED GUIDE PIN USE Ø3.56±0.08 PTH,
Ø3.66 DRILL, AND Ø6.5 PAD.
- 5. KEYING PIN SHOWN IN POSITION A, SEE KEYING CHART
ON SHEET 2 FOR OTHER POSITIONS.

0.46	5.5	2198043-6
0.46	4.9	2198043-5
0.46	4.5	2198043-4
0.39	5.5	2198043-3
0.39	4.9	2198043-2
0.39	4.5	2198043-1
P PLATED THROUGH HOLE SIZE	M POST LENGTH	PART NUMBER

REFER TO WWW.TE.COM
FOR PRODUCT AVAILABILITY

THIS DRAWING IS A CONTROLLED DOCUMENT.		DMN B. CARBO 19DEC2012	
		CHK D. DIXON 19DEC2012	
DIMENSIONS:		APVD D. DIXON 19DEC2012	NAME IMPACT, 85 OHM, STANDARD, 4 PAIR PLUS, 16 COLUMN HEADER, UNGUIDED, RIGHT ENDWALL, SIGNAL MODULE
mm	TOLERANCES UNLESS OTHERWISE SPECIFIED:	PRODUCT SPEC	APPLICATION SPEC
	0 PLC ±	SIZE	CAGE CODE
	1 PLC ±0.25	WEIGHT	DRAWING NO
	2 PLC ±0.13	Customer Drawing	RESTRICTED TO
	3 PLC ±	SCALE	5:1
	4 PLC ±	SHEET	2 OF 2
	ANGLES ±	REV	A
MATERIAL	FINISH SEE TABLE	A100779C=2198043	