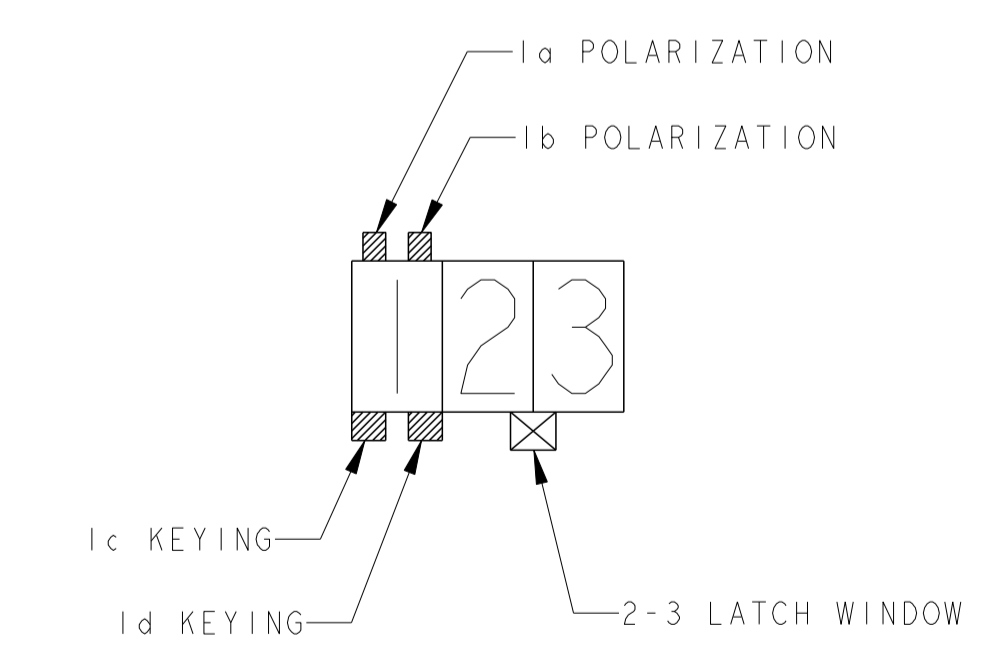
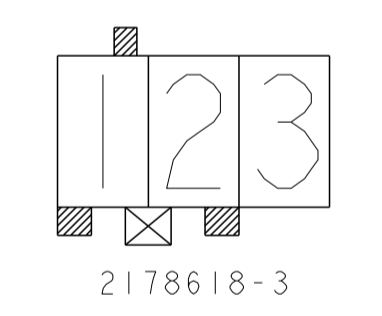
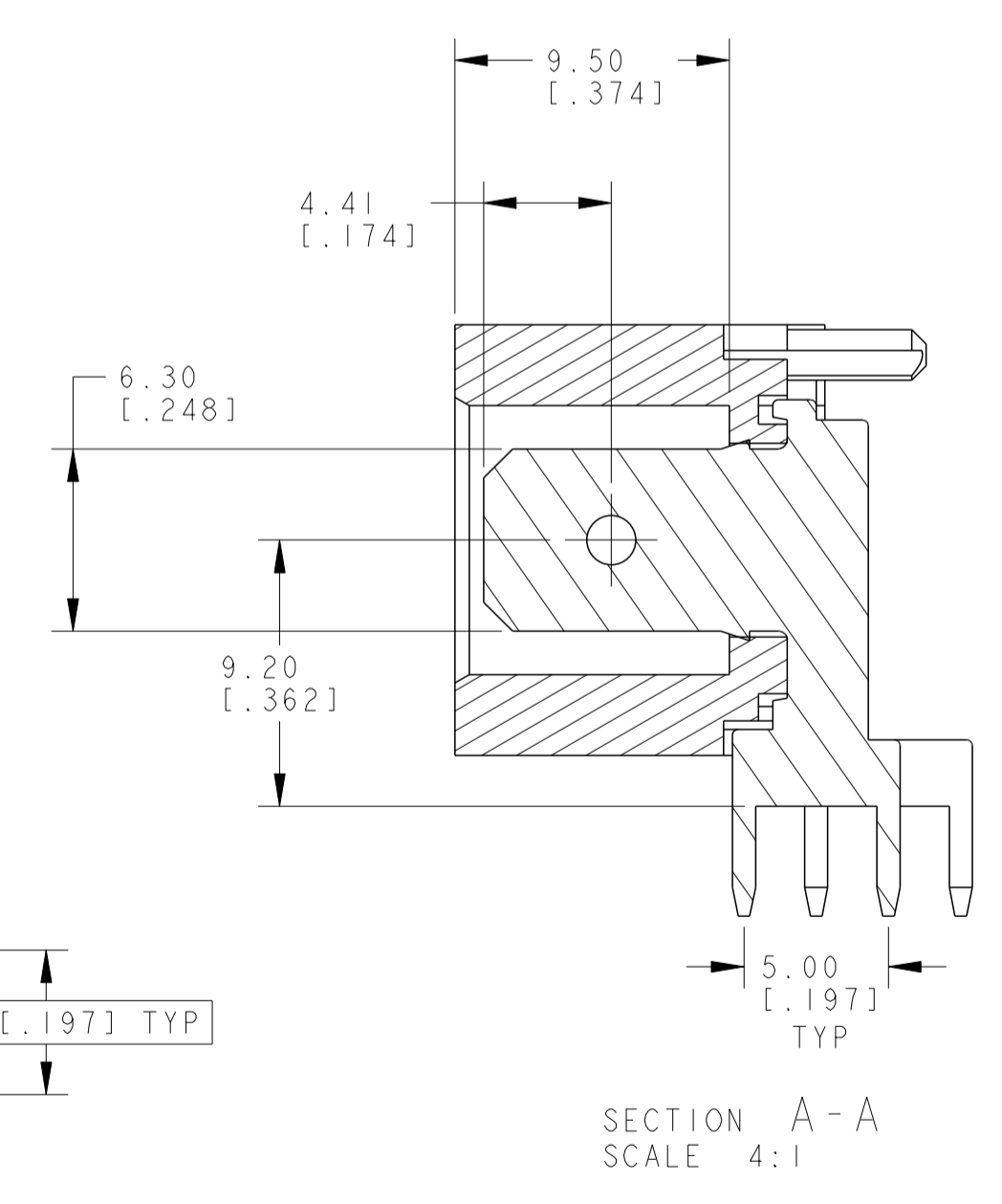
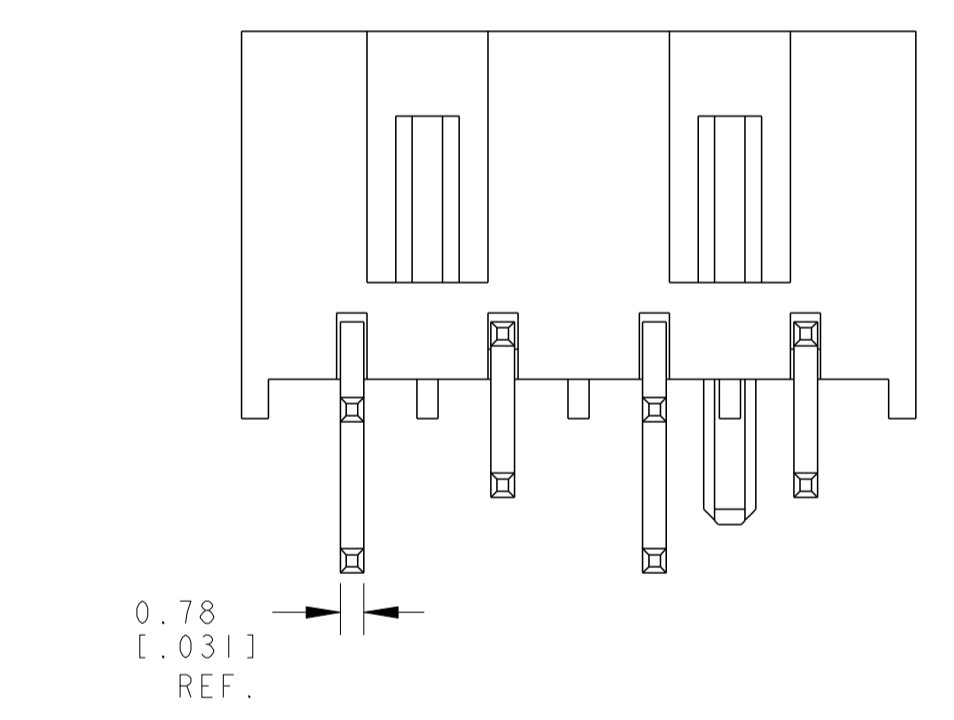
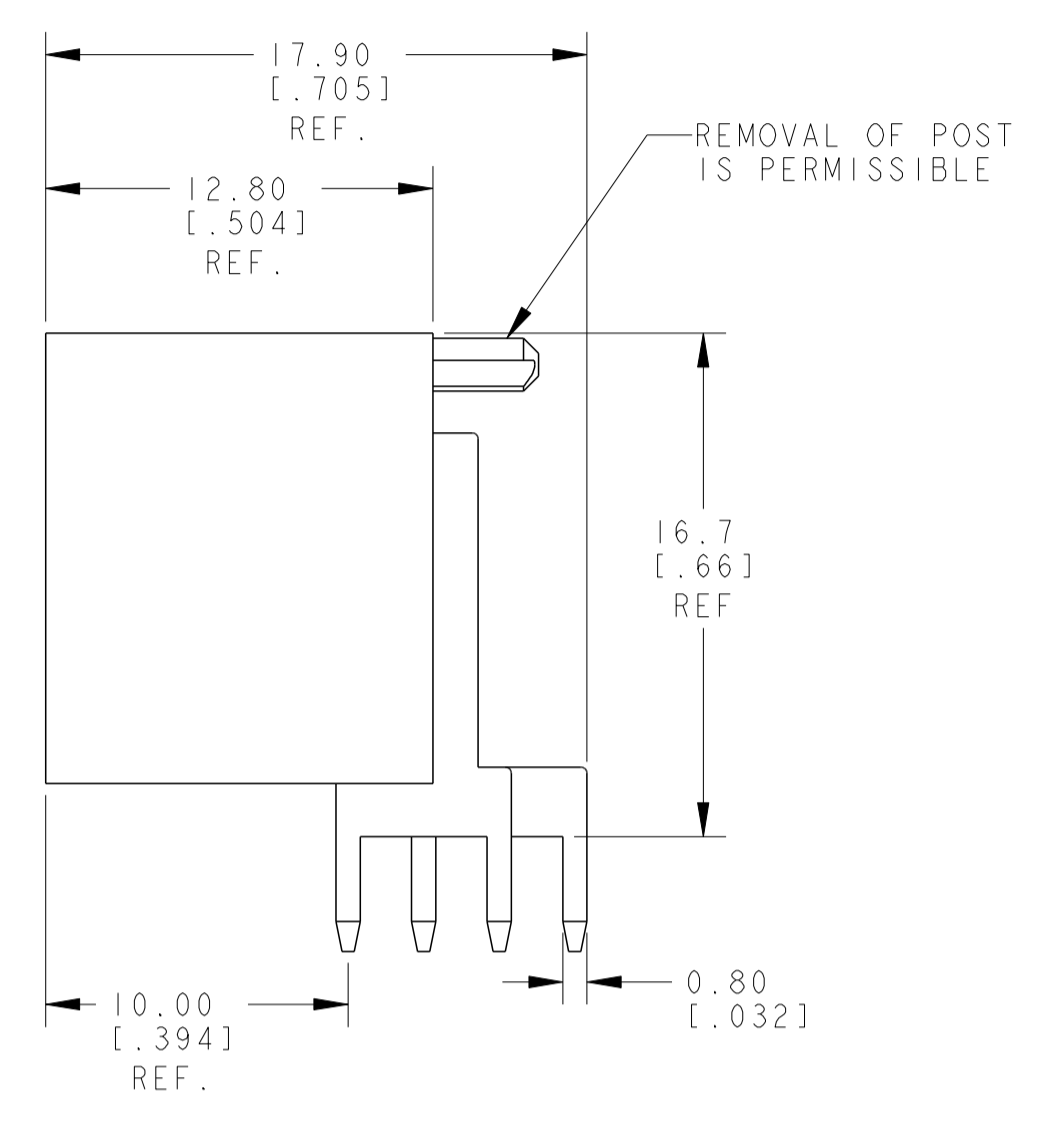
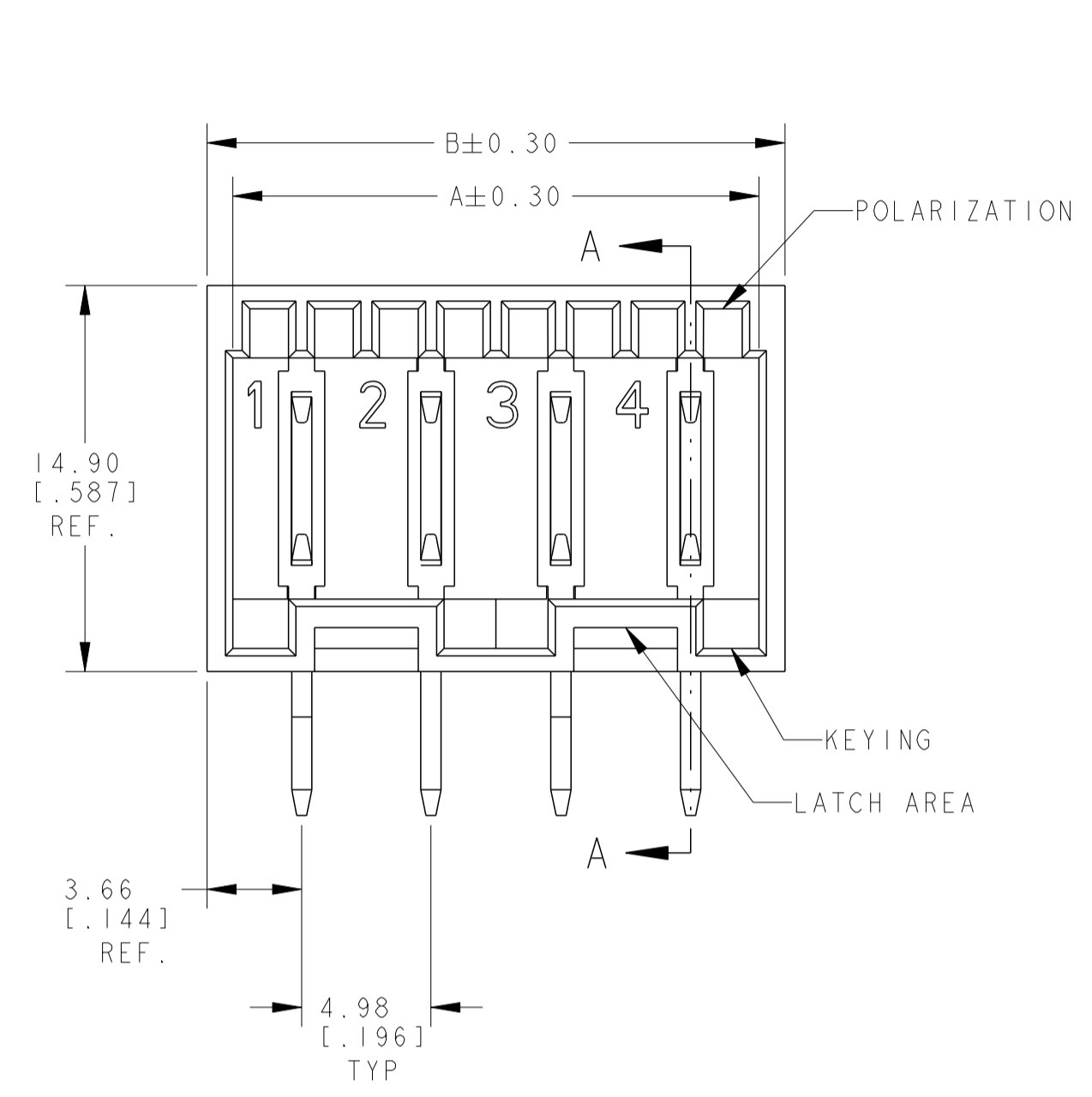


| LOC | DIST | REVISIONS |     |                     |           |     |      |
|-----|------|-----------|-----|---------------------|-----------|-----|------|
|     |      | P         | LTN | DESCRIPTION         | DATE      | OWN | APPD |
| AF  | 50   | 1         |     | PRELIMINARY RELEASE | 20JUN2013 | SS  | RRP  |

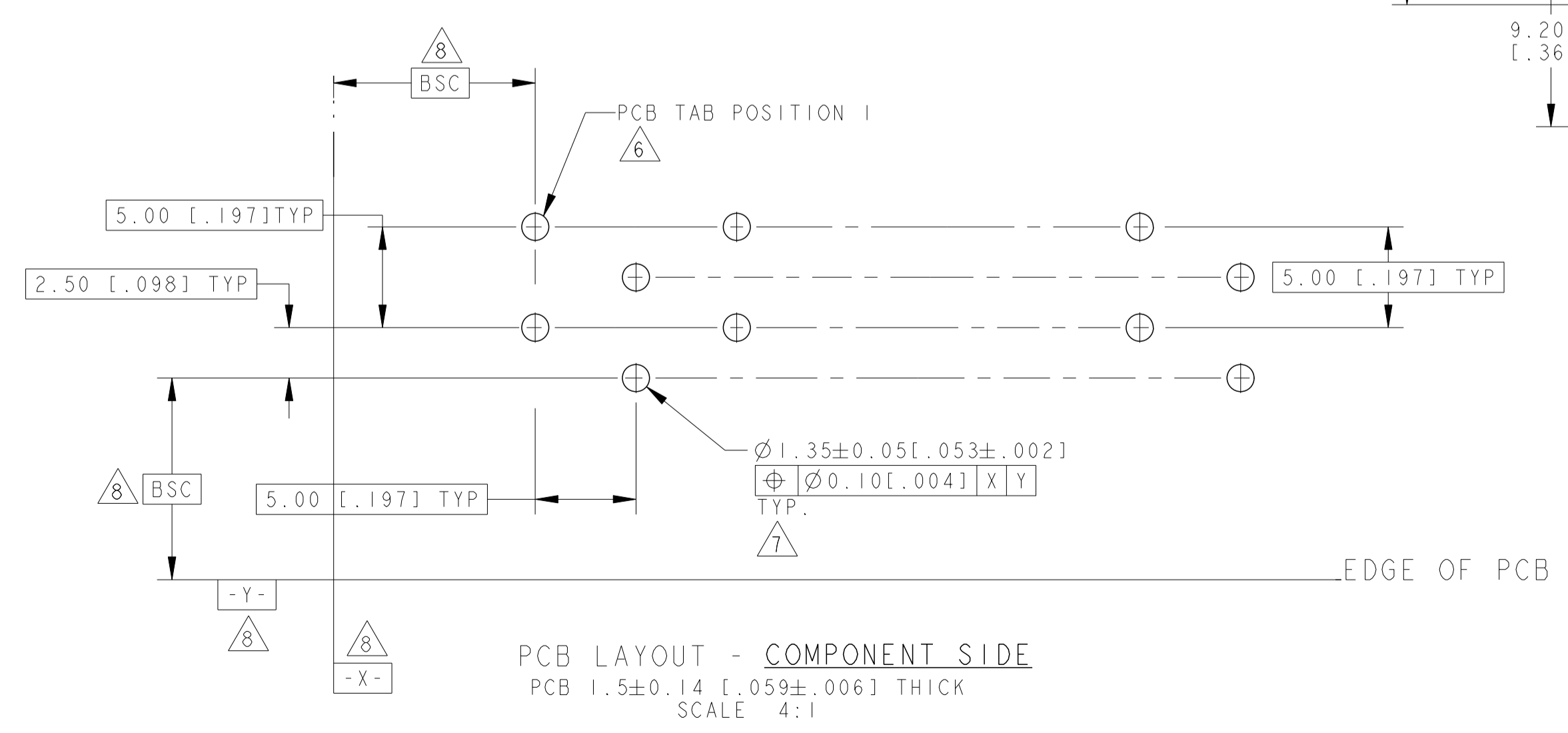
- HOUSING HAS RAST 5 COMPLIANT KEYING, LATCHING, AND POLARIZATION. TAB IS 6.3 x 0.8 [1.250 x .032] ACCORDING TO DIN 46244.
- POSSIBLE TYCO MATING CONNECTOR FAMILIES INCLUDE STANDARD TIMER RAST 5, MULTIFITTING, MULTIFITTING MKII, AND MONO-SHAPE TAB CONNECTORS.
- SEE SHEET 2 FOR AVAILABLE CONFIGURATIONS.
- MATERIAL: HOUSING, PA 6, UL 94V-0 GWT 750. CONTACT, BRASS, 0.8 mm THICK.
- FINISH: CONTACTS, 3.8 μm MIN TIN OVER 1.3 μm MIN NICKEL.
- PCB TABS INSERTED IN A STAGGERED PATTERN BEGINNING WITH POSITION 1.
- SELECTED HOLES MAY BE 1.05+0.05/-0.00 DIA [1.041+.002/-0.001 DIA] FOR IMPROVED (PRESS-FIT) RETENTION TO P.C.B. PRIOR TO SOLDERING.
- DATUM AND BASIC DIMENSION ESTABLISHED BY CUSTOMER
- PRODUCT QUALIFICATION PER 108-2183
- PRELIMINARY - NOT FOR PRODUCTION

**PRELIMINARY PART  
 NOT RELEASED FOR PRODUCTION**  
 THIS PRODUCT HAS NOT COMPLETED  
 VALIDATION TESTING



PICTORIAL VIEW KEY

|      |      |             |
|------|------|-------------|
| 47.3 | 45.3 | 9           |
| 42.3 | 40.3 | 8           |
| 37.3 | 35.3 | 7           |
| 32.3 | 30.3 | 6           |
| 27.3 | 25.3 | 5           |
| 22.3 | 20.3 | 4           |
| 17.3 | 15.3 | 3           |
| 12.3 | 10.3 | 2           |
| B    | A    | NO. OF POS. |



PCB LAYOUT - COMPONENT SIDE  
 PCB 1.5±0.14 [1.059±.006] THICK  
 SCALE 4:1

|               |        |        |             |               |             |
|---------------|--------|--------|-------------|---------------|-------------|
| 1-2           | 1c, 2d | 1b     | 3           | 03-A          | 2178618-3   |
| LATCH WINDOWS | KEYING | POLAR. | NO. OF POS. | RAST 5 DESIG. | PART NUMBER |

THIS DRAWING IS A CONTROLLED DOCUMENT.

|                         |  |                         |                         |                          |   |
|-------------------------|--|-------------------------|-------------------------|--------------------------|---|
| DIMENSIONS: mm [INCHES] | TOLERANCES UNLESS OTHERWISE SPECIFIED: | OWN: SUDHAKAR 20JUN2013 | CHK: SUDHAKAR 20JUN2013 | APVD: RAJENDRA 20JUN2013 | NAME: ASSEMBLY, DIN, RAST 5 HEADER, RIGHT ANGLE |
| 0 PLC ±                 | 0.25(.010)                             | PRODUCT SPEC            | 108-2183                | APPLICATION SPEC         | SIZE: A1  |
| 1 PLC ±                 |  | WEIGHT                  |                         | CAGE CODE                | 2178618   |
| 2 PLC ±                 |  | CUSTOMER DRAWING        | SCALE 4:1               | SHEET 1 OF 1             | REV   |
| 3 PLC ±                 |  |                         |                         |                          |   |
| 4 PLC ±                 |  |                         |                         |                          |   |
| ANGLES ±                | #2°                                    |                         |                         |                          |   |
| FINISH                  |  |                         |                         |                          |   |