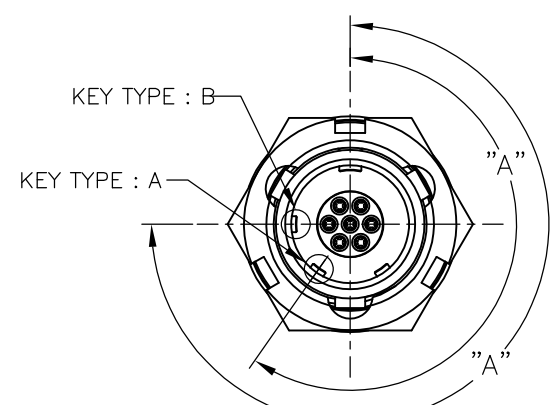
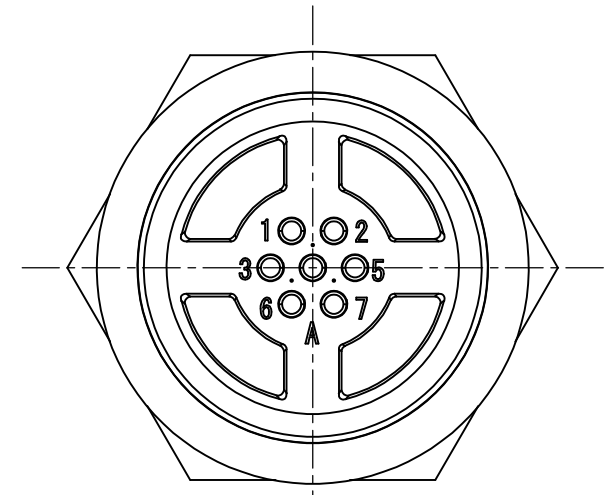
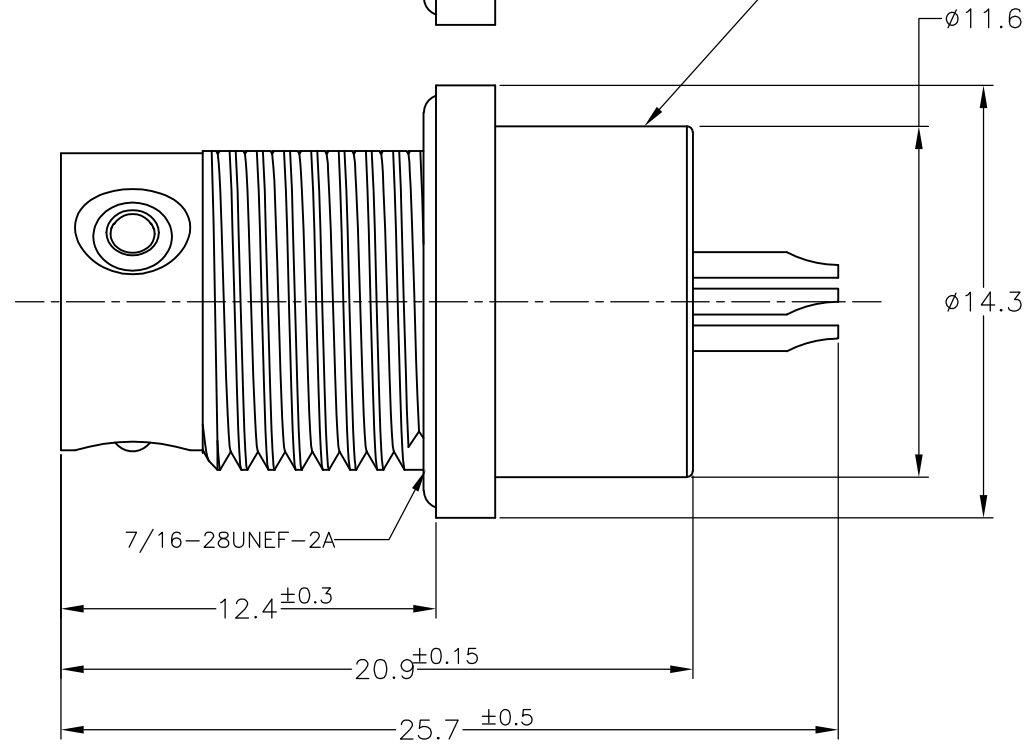
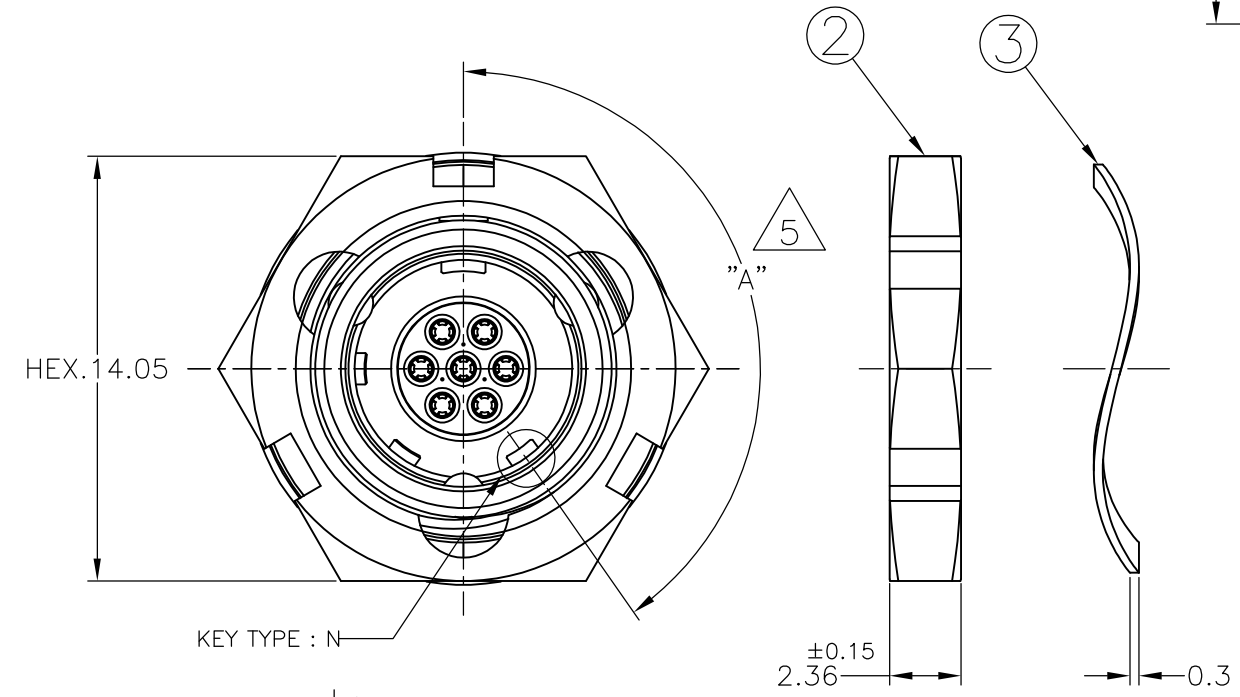
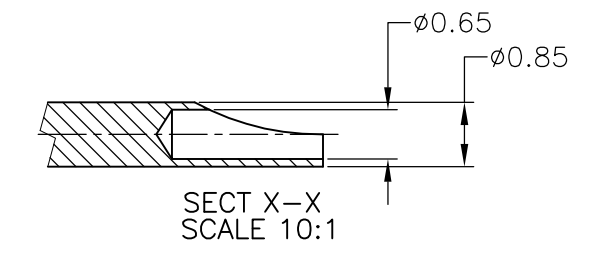
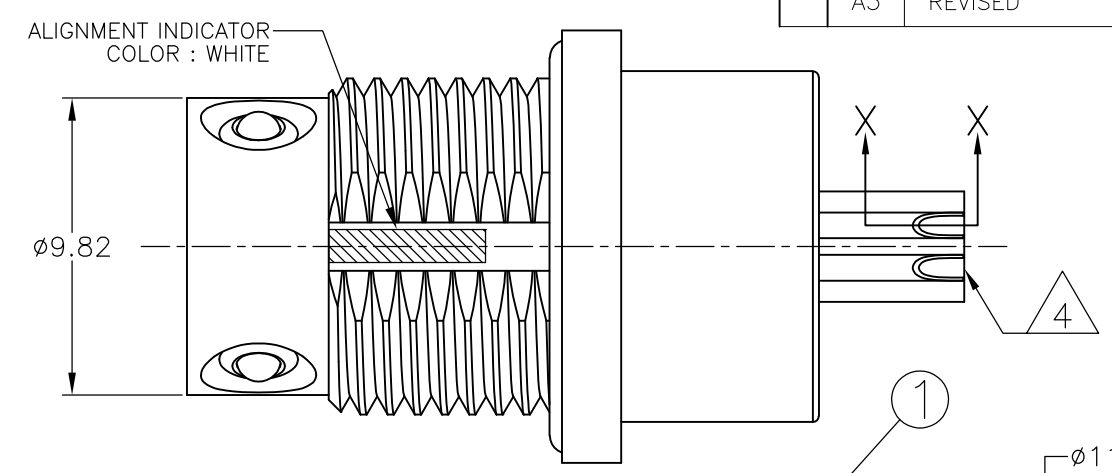


本図：2174204-1  
AS SHOWN:2174204-1

- ① MATERIAL: BRASS
- ② FINISH : BLACK Sn-Ni, OVER Ni (9 ~ 10um)
- ③ FINISH : Ni PLATING (3 ~ 6um)
- ④ FINISH : Au PLATING (1.0um), Ni PLATING (2um MIN.)
- ⑤ KEY OPTION : TYPE N IS NORMAL POSITION.  
OPTION KEY IS TYPE A(-2) AND TYPE B(-3).

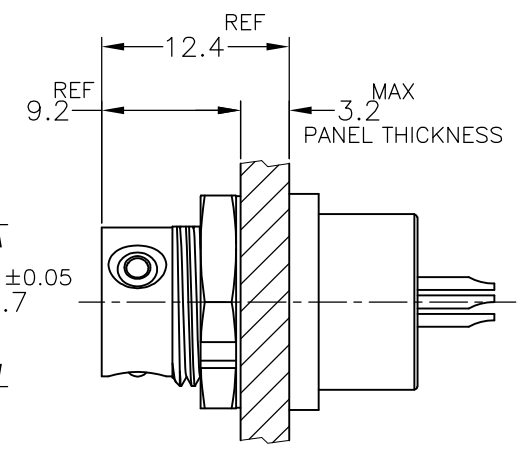
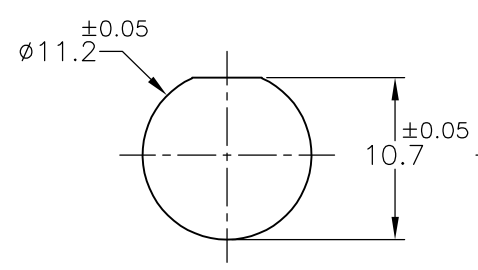


③ KEY POSITION

270°	TYPE B	2174204-3
215°	TYPE A	2174204-2
145°	TYPE N	2174204-1
DIM "A"	KEY TYPE	PART NUMBER

-3	-2	-1	PART NUMBER	ITEM
1	1	1	②	HEX. NUT
1	1	1	③	WAVE SPRING WASHER
1			④	CONNECTOR ASSEMBLY KEY-B
	1		⑤	CONNECTOR ASSEMBLY KEY-A
		1		CONNECTOR ASSEMBLY KEY-N
QTY			FINISH	ITEM

⑤ KEY POSITION OPTION SCALE 2:1



PANEL MOUNT REFERENCE DIMENSION SCALE 2:1

THIS DRAWING IS A CONTROLLED DOCUMENT.

DIMENSIONS: mm	TOLERANCES UNLESS OTHERWISE SPECIFIED: ±0.1	DWN T.SUGIYAMA 19FEB2012	<b>STE</b> TE Connectivity
	0-PLC ±	CHK T.TONOBÉ 07MAY2012	
	1-PLC ±	APVD T.SUGIYAMA 07MAY2012	NAME
	2-PLC ±	PRODUCT SPEC	NMSMC 7P PUSH-PULL RECE
	3-PLC ±	APPLICATION SPEC	PROBE / SOLDER CUP
	4-PLC ±	WEIGHT 10.922g	CONNECTOR KIT
	ANGLES ±5°	SIZE 114-5503	SIZE CAGE CODE DRAWING NO RESTRICTED TO
MATERIAL ①	FINISH -	114-5503	A3 00779 C-2174204
		CUSTOMER DRAWING	SCALE 4:1 SHEET 1 OF 1 REV A3