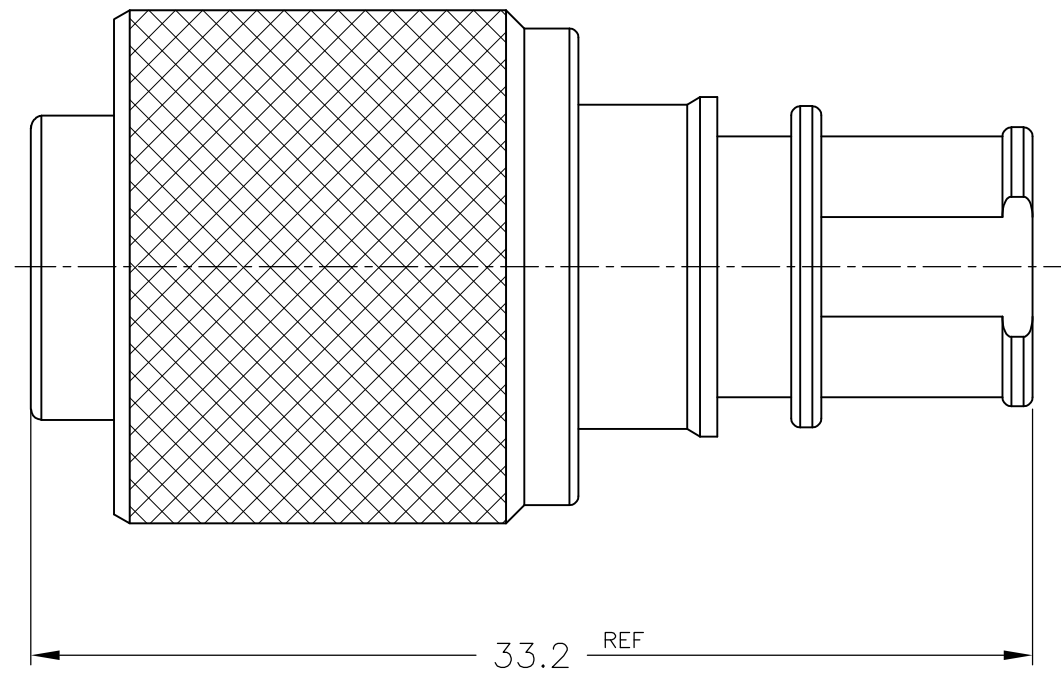
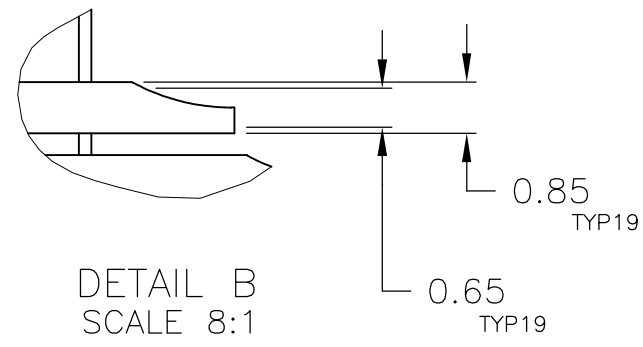
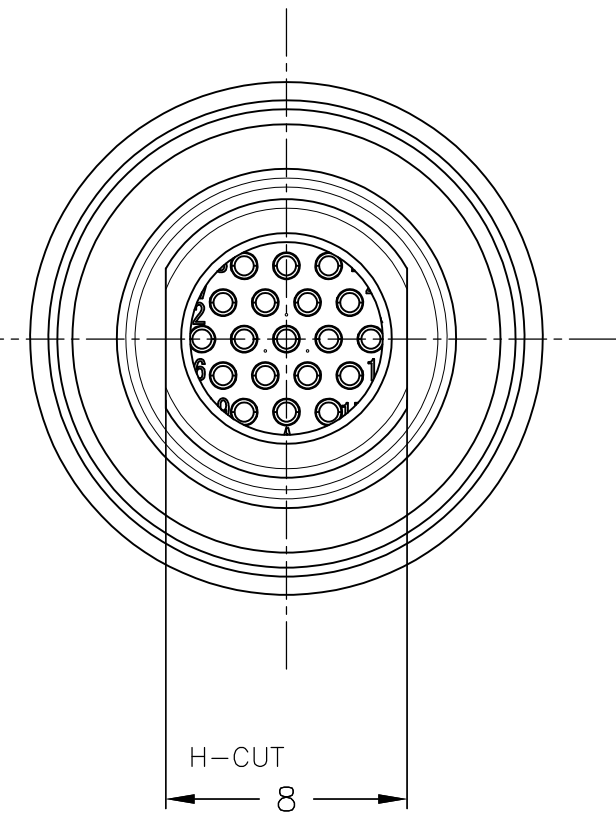
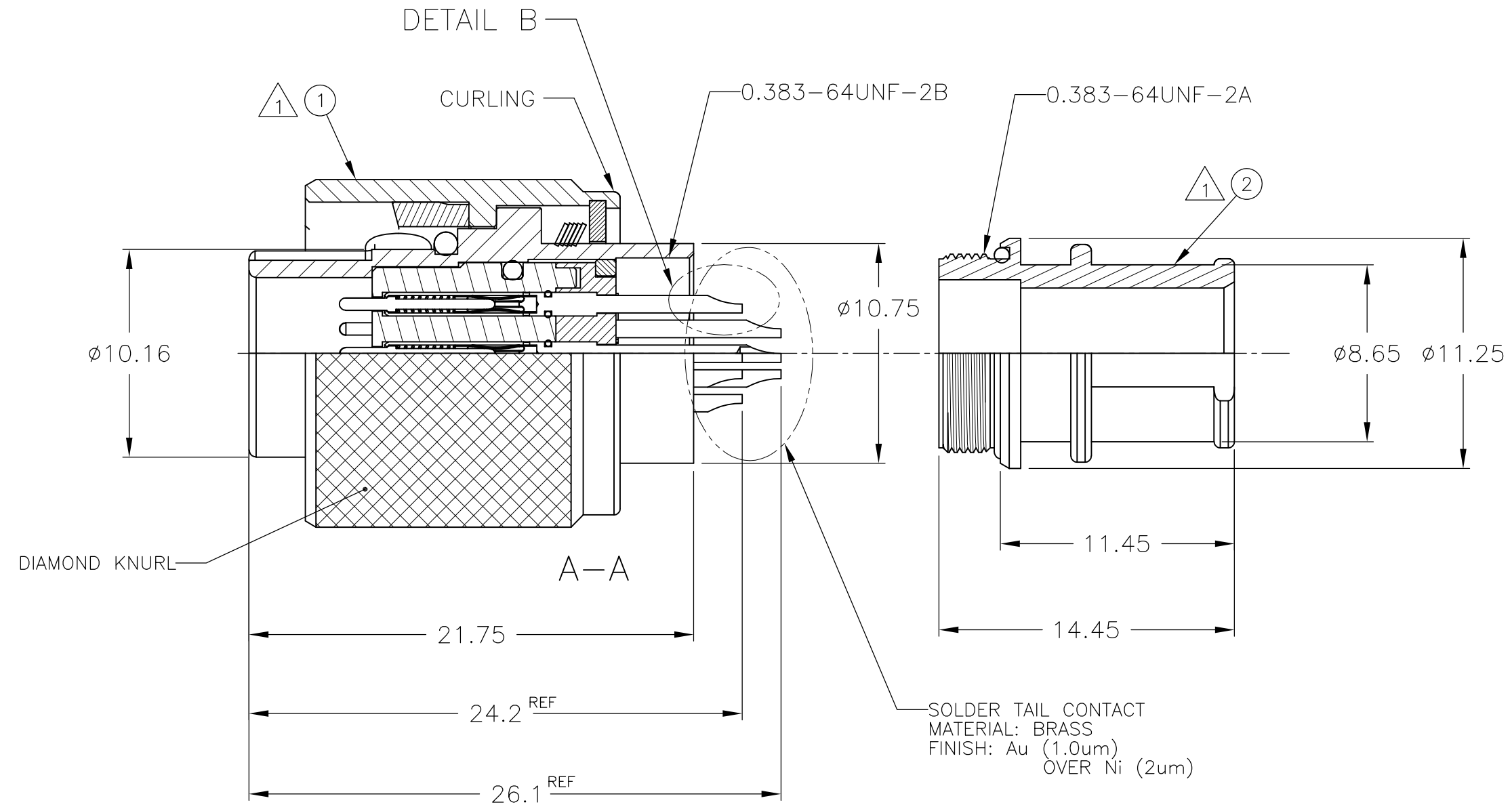
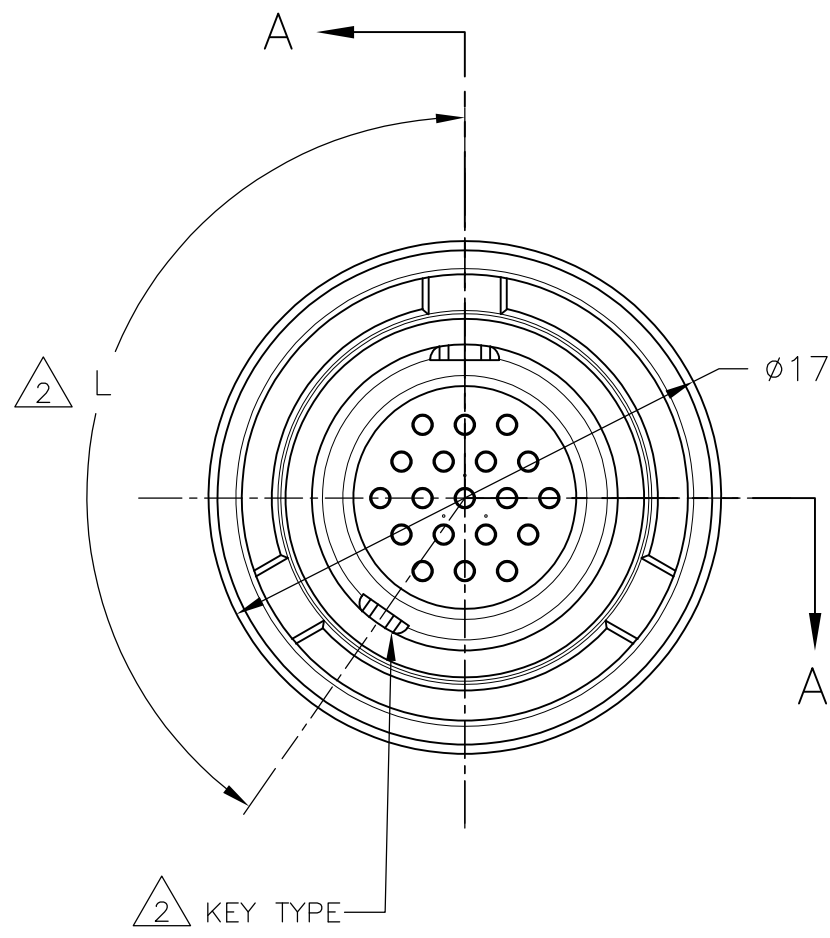


THIS DRAWING IS UNPUBLISHED. RELEASED FOR PUBLICATION FEB., 2012.  
 © COPYRIGHT 2012 Tyco Electronics JAPAN G.K. ALL RIGHTS RESERVED.

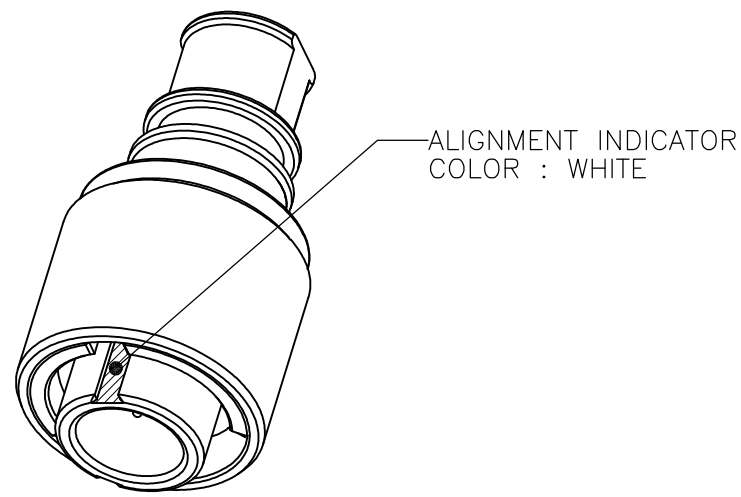
AS SHOWN 2174192-\*

LOC		DIST		REVISIONS			
P	LTR	DESCRIPTION	DATE	DWN	APVD		
J		B	REVISED	02MAY2014	H.S	C.O	



△ MATERIAL: BRASS  
 FINISH : BLACK Su-Ni OVER Ni.  
 △ KEY POSITION: TYPE N IS NORMAL POSITION.  
 OPTION KEY IS TYPE A (-2) AND TYPE B (-3).

270*	TYPE B	2174192-3
215*	TYPE A	2174192-2
145*	TYPE N	2174192-1
△DIM L	DESCRIPTION	PART NO.



REFERENCE SCALE 2:1  
 2174192-\*

QTY	REQ.	PER ASSY	DESCRIPTION	ITEM NO.
1	1	1	19P PLUG ADAPTOR WITH O-RING	②
1	-	-	19P BAYONET PLUG SPRING PROBE/SOLDER CUP CONT ASSY TYPE B	①
-	1	-	19P BAYONET PLUG SPRING PROBE/SOLDER CUP CONT ASSY TYPE A	①
-	-	1	19P BAYONET PLUG SPRING PROBE/SOLDER CUP CONT ASSY TYPE N	①
-3	-2	-1		

QTY REQ. PER ASSY		PARTS LIST	
THIS DRAWING IS A CONTROLLED DOCUMENT.			
DIMENSIONS:	TOLERANCES UNLESS OTHERWISE SPECIFIED:	DWN	03FEB2012
mm	±0.1	T.SUGIYAMA	
Ø	PLC	CHK	03FEB2012
1	PLC	T.TONOBÉ	
2	PLC	APVD	03FEB2012
3	PLC	T.SUGIYAMA	
4	PLC	PRODUCT SPEC	108-78938
ANGLES	±	APPLICATION SPEC	114-5503
FINISH	±	WEIGHT	23.644g
		SIZE	A2
		CAGE CODE	00779
		DRAWING NO	C=2174192
		RESTRICTED TO	
		SCALE	4:1
		SHEET	1 of 1
		REV	B