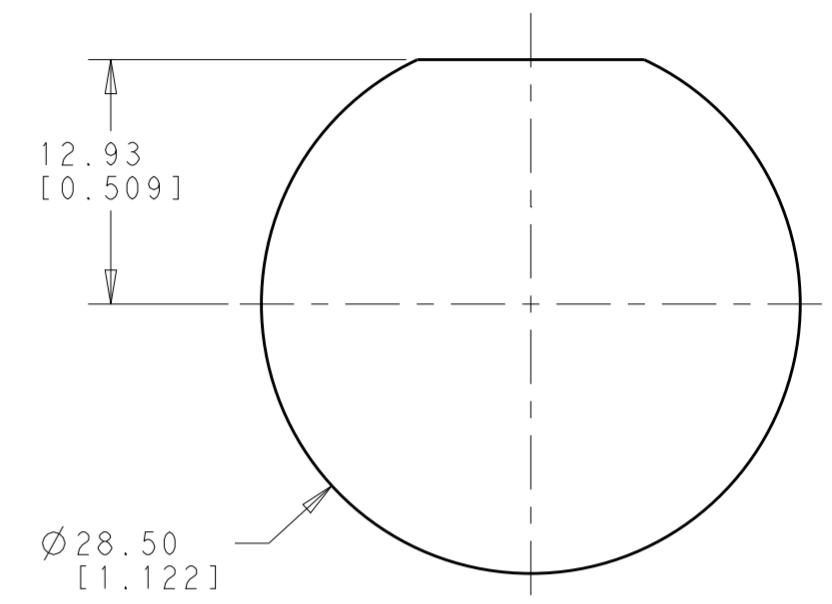
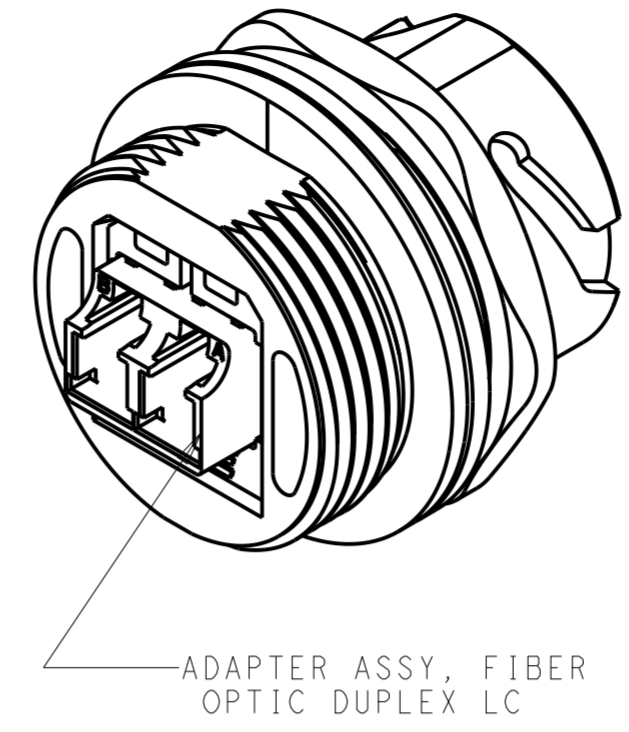
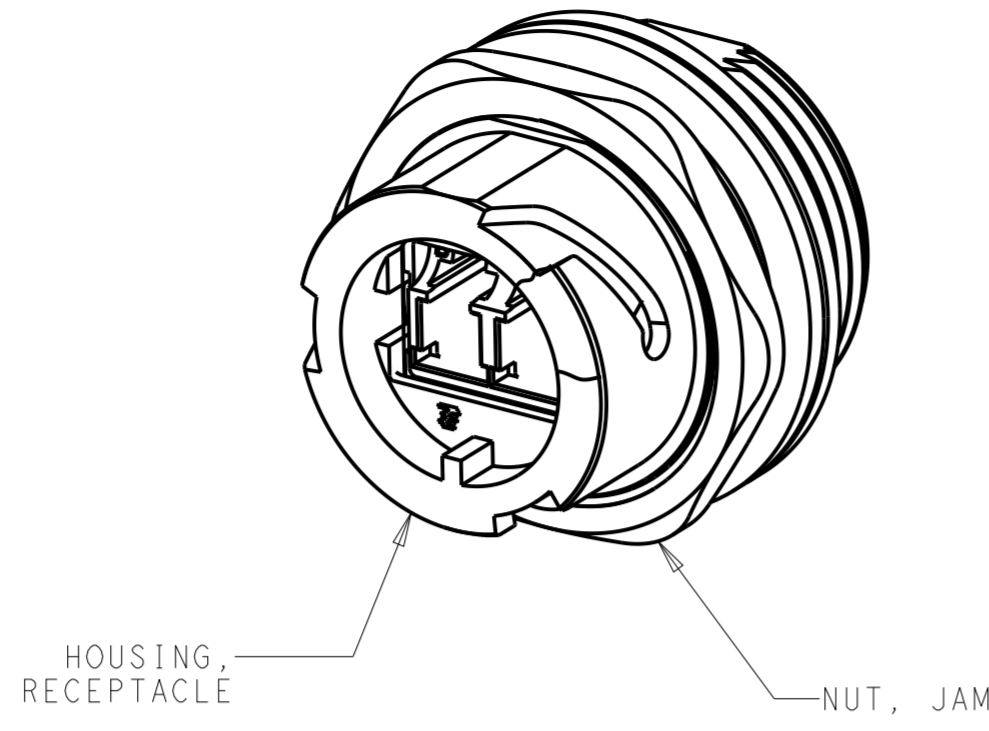
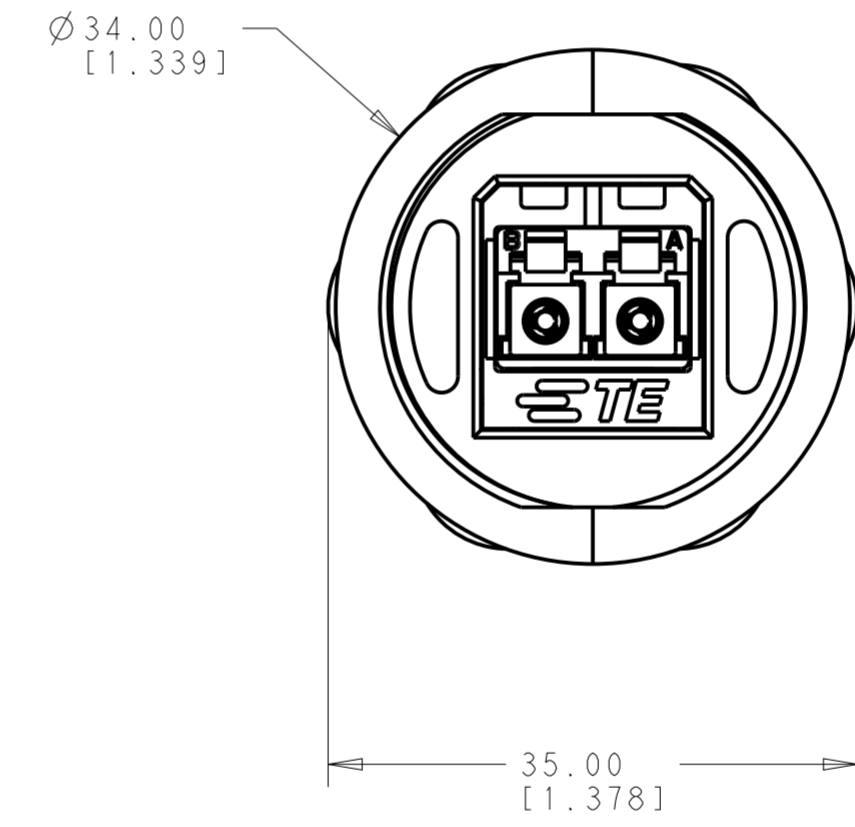
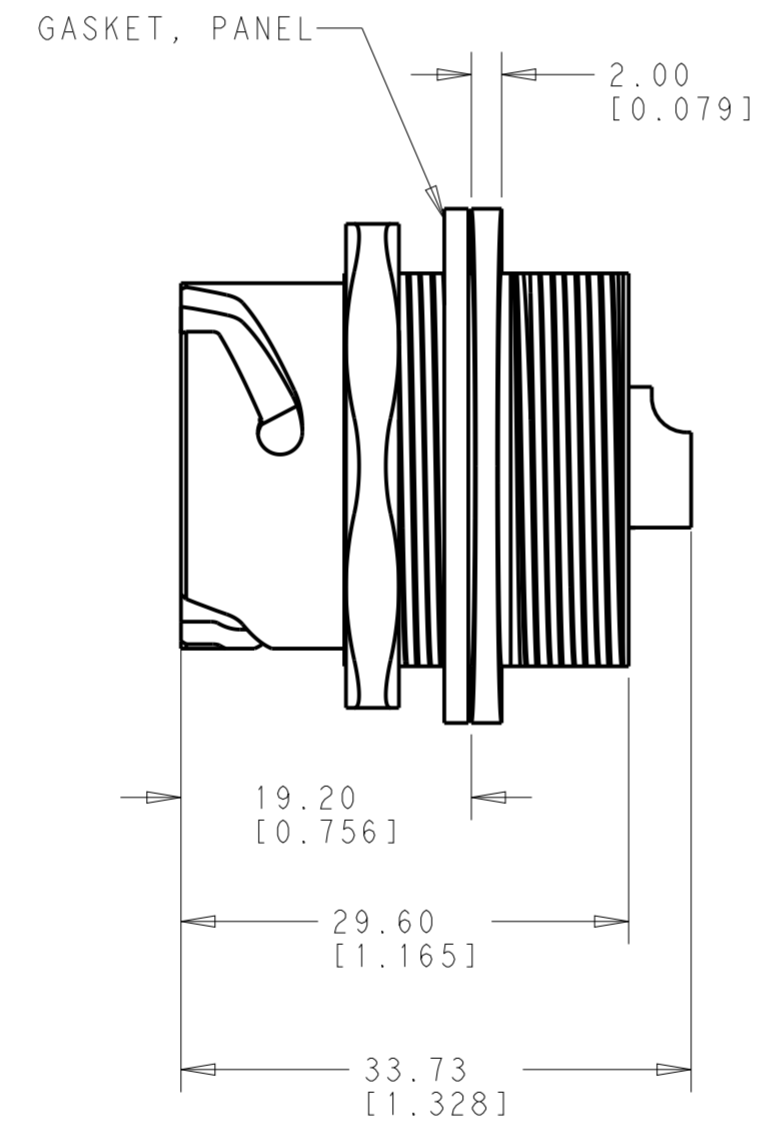
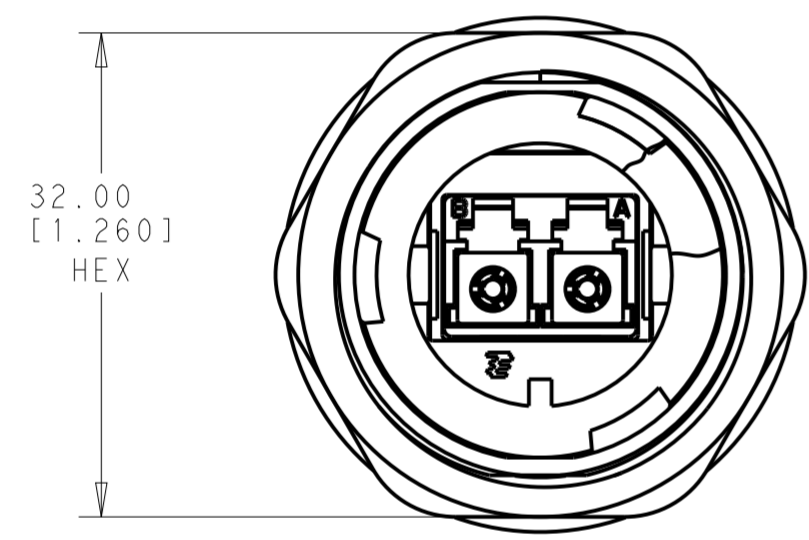


THIS DRAWING IS UNPUBLISHED. RELEASED FOR PUBLICATION 20  
 © COPYRIGHT 20 BY - ALL RIGHTS RESERVED.

| LOC | DIST | REVISIONS |     |                           |           |     |      |
|-----|------|-----------|-----|---------------------------|-----------|-----|------|
| CE  | 00   | P         | LTR | DESCRIPTION               | DATE      | DWN | APVD |
|     |      | A         |     | REVISED PER ECO-14-003235 | 05MAR2014 | NK  | MB   |



RECOMMENDED PANEL CUT-OUT  
 MAX PANEL THICKNESS 3.2mm



1 MATERIAL:  
 HOUSING, RECEPTACLE: PBT, COLOR: ZINC TRIVALENT CHROMATE PLATED  
 NUT, PANEL: BRASS, Ni PLATED  
 GASKET: SILICONE, COLOR: RED/ORANGE

LC DUPLEX ADAPTER ASSY:  
 HOUSING: PEI, COLOR: MM BEIGE,  
 PROTECTIVE COVERS: TPE, COLOR: BLACK\*  
 ALIGNMENT SLEEVES: MM METAL,

\* UL 94 V-0 RATED AT QUALIFYING THICKNESS.

- 2. ADAPTER PROTECTIVE COVERS ARE INCLUDED; NOT SHOWN.
- 3. ADAPTER SEALED PROTECTIVE CAP W/ BEDED CHAIN IS ALSO AVAILABLE, P/N 2008618-1.

|             |           |
|-------------|-----------|
| MULTIMODE   | 2172038-1 |
| DESCRIPTION | PART NO   |

|  |  |                                      |   |  |
|--|--|--------------------------------------|---|--|
| THIS DRAWING IS A CONTROLLED DOCUMENT. |  | DWN<br>KIRAN HOLAL<br>17 JUL 2013    | TE Connectivity                                       |  |
| DIMENSIONS:<br>mm [INCH]               |  | CHK<br>BRUBAKER MARK<br>17 JUL 2013  |   |  |
| TOLERANCES UNLESS OTHERWISE SPECIFIED: |  | APVD<br>BRUBAKER MARK<br>17 JUL 2013 | NAME<br>KIT, RECEPTACLE,<br>INDUSTRIAL DUPLEX LC ODVA |  |
| 0 PLC ±0.1[-.004]                      |  | PRODUCT SPEC                         | SIZE CAGE CODE DRAWING NO                             |  |
| 1 PLC ±0.1[-.004]                      |  | APPLICATION SPEC                     | RESTRICTED TO   |  |
| 2 PLC ±0.1[-.004]                      |  | WEIGHT                               | A200779C-2172038                                      |  |
| 3 PLC ±                                |  | Customer Drawing                     | SCALE 1:1 SHEET 1 OF 1 REV A                          |  |
| 4 PLC ±                                |  |                                      |   |  |
| ANGLES ±                               |  |                                      |   |  |
| FINISH                                 |  |                                      |   |  |