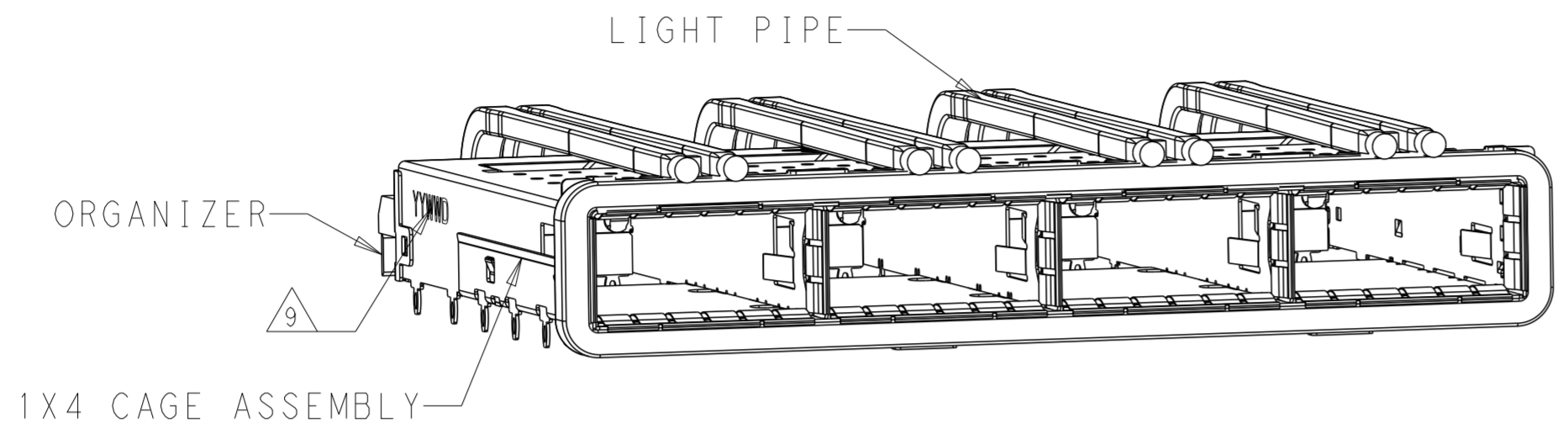


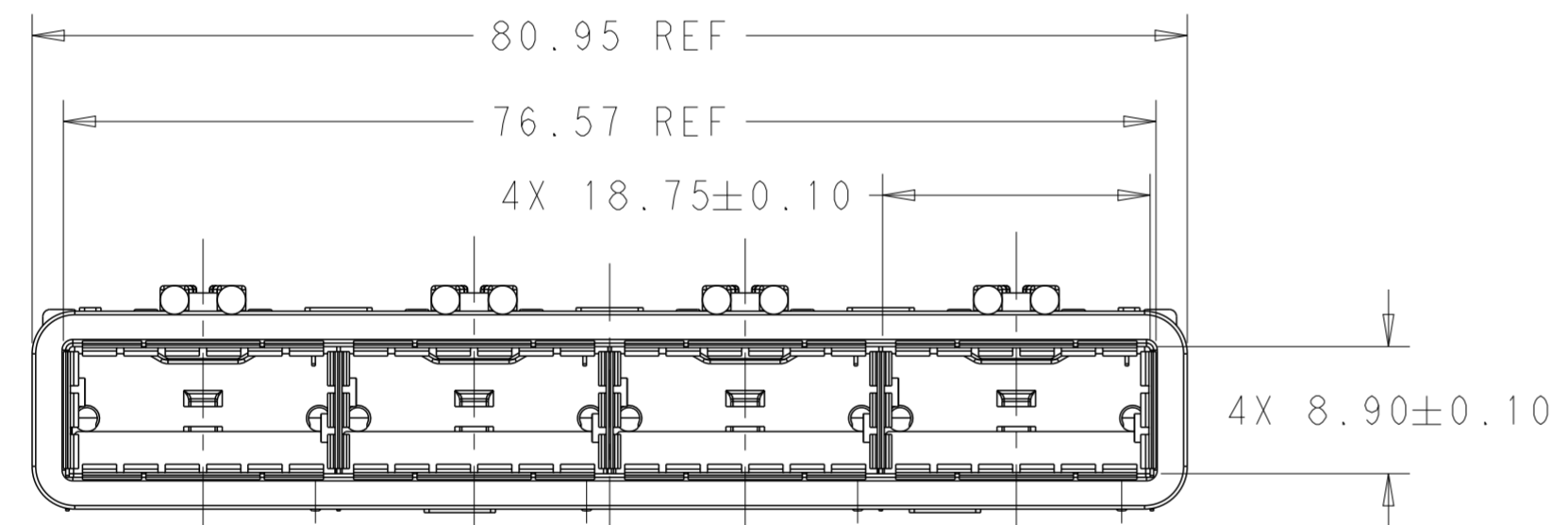
THIS DRAWING IS UNPUBLISHED. RELEASED FOR PUBLICATION 20
 © COPYRIGHT 20 BY - ALL RIGHTS RESERVED.

| REVISIONS | | | | | |
|-----------|-----|---------------------------|-----------|-----|------|
| P | LTR | DESCRIPTION | DATE | DWN | APVD |
| | A | RELEASE | 08NOV2016 | JY | SH |
| | A1 | REVISED PER ECN-22-135982 | 24JAN2022 | PT | SZ |
| | A2 | REVISED PER ECN-22-163746 | 11JUL2022 | IT | SZ |

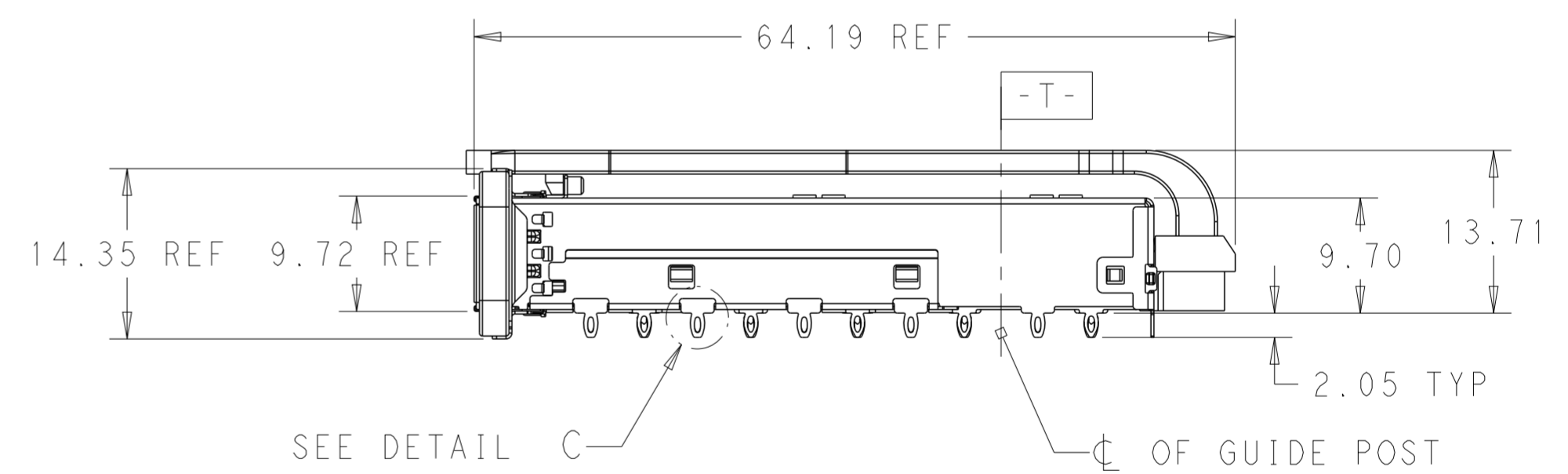


2170784-1 AS SHOWN

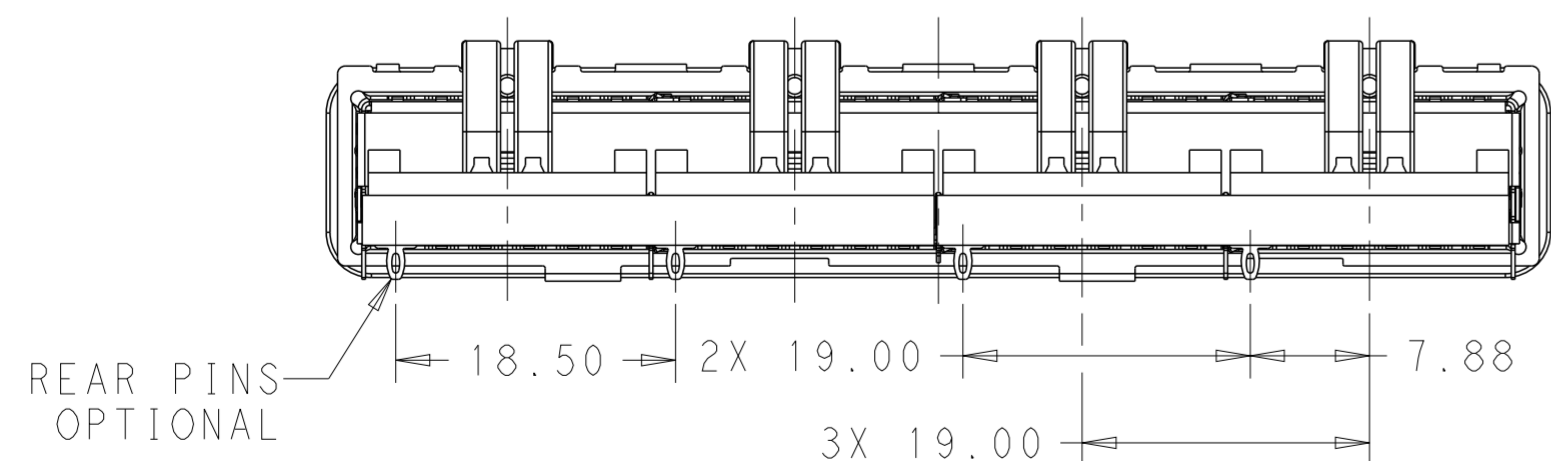
- COMPONENTS
 CAGE ASSEMBLY: NICKEL-SILVER ALLOY
 HEAT SINK: ALUMINUM/BLACK ANODIZE
 HEAT SINK CLIP: STAINLESS STEEL
 EMI SPRING: COPPER ALLOY/NICKEL PLATE
 LIGHT PIPE: CLEAR POLYCARBONATE WITH UL 94 V-0
 ORGANIZER: POLYESTER WITH UL 94 V-0
 EMI GASKET: PLATED FILLED SILICONE
- REFERENCE APPLICATION SPECIFICATION 114-32023 FOR RECOMMENDED DRILL HOLE DIAMETER AND PLATING THICKNESS
- DATUM AND BASIC DIMENSION ESTABLISHED BY CUSTOMER
- MATES WITH QSFP28 MSA COMPATIBLE TRANSCEIVER.
- LIGHT PIPES ARE SHIPPED ASSEMBLED ON CAGE
- MINIMUM PC BOARD THICKNESS: SINGLE SIDED: 1.57 MIN
 DOUBLE SIDED: 3.00 MIN
- DATUM **-A-** IS TOP SURFACE OF THE HOST BOARD.
- THESE HOLES ARE OPTIONAL WHEN THE REAR PINS ARE REMOVED.
- DATE CODE (YYWWD) MARKED APPROXIMATELY AS SHOWN.



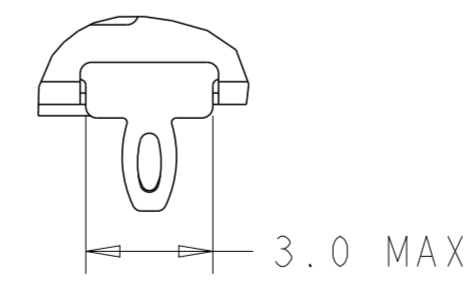
SCALE 2:1



SEE DETAIL C



BACK VIEW SCALE 2:1



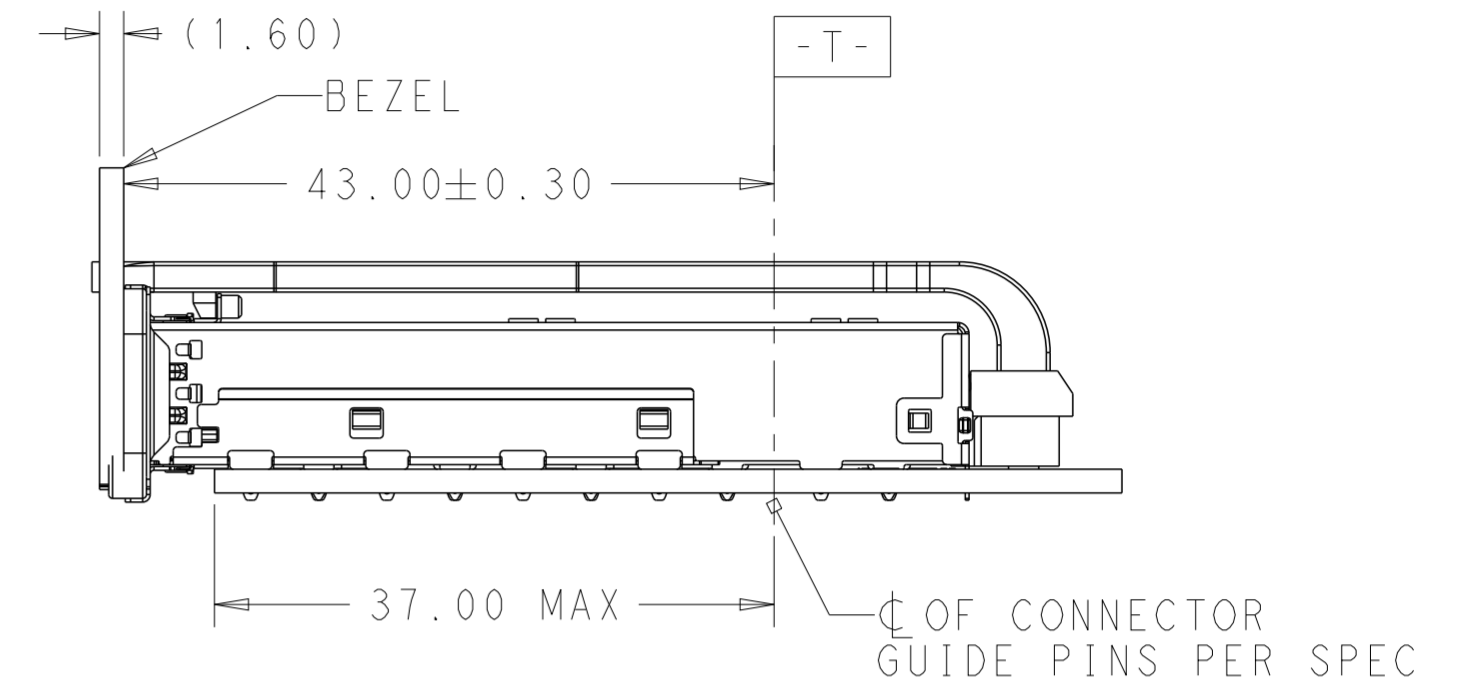
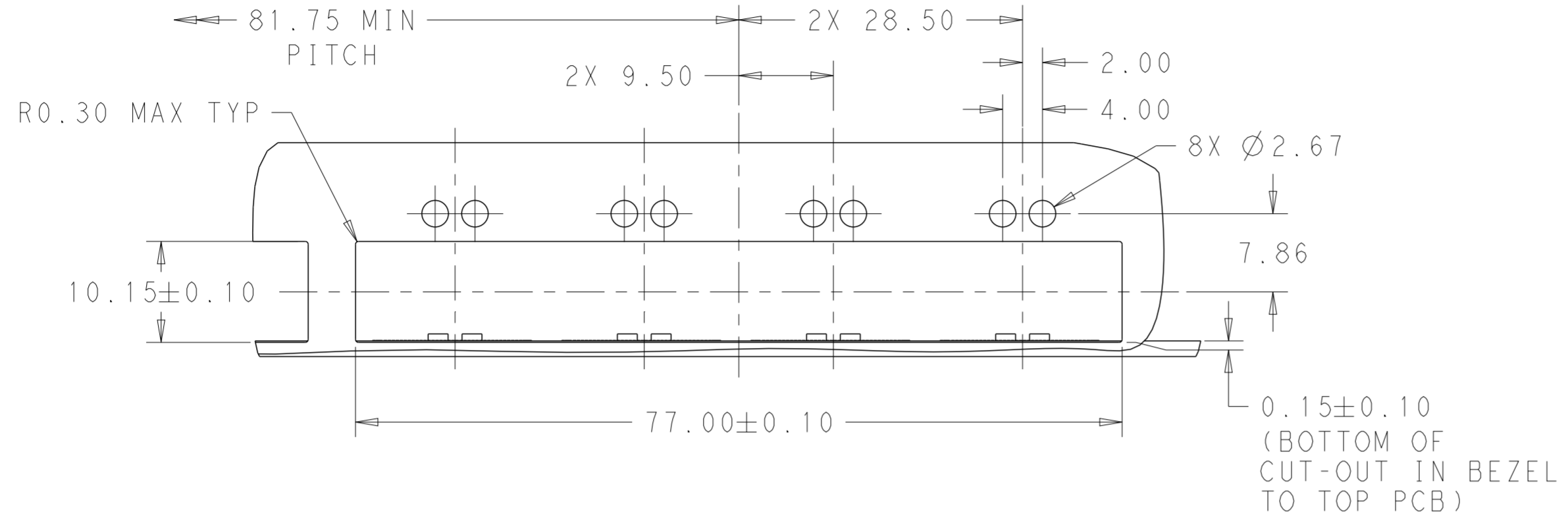
DETAIL C SCALE 6:1

| | | |
|------------------|--------------------|-------------|
| 1LP | WITHOUT | 2170784-3 |
| 2LP | WITHOUT | 2170784-2 |
| 2LP | WITH | 2170784-1 |
| LP POSN OPTIONAL | REAR PINS OPTIONAL | PART NUMBER |

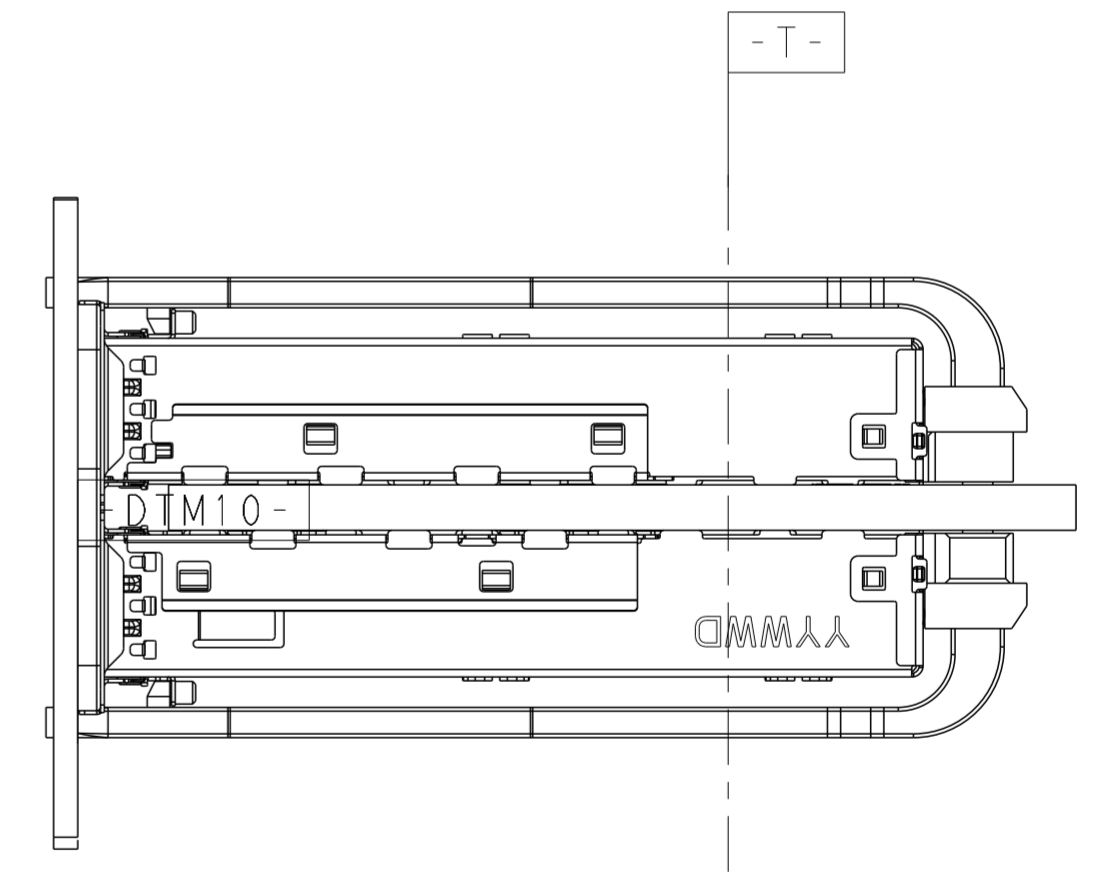
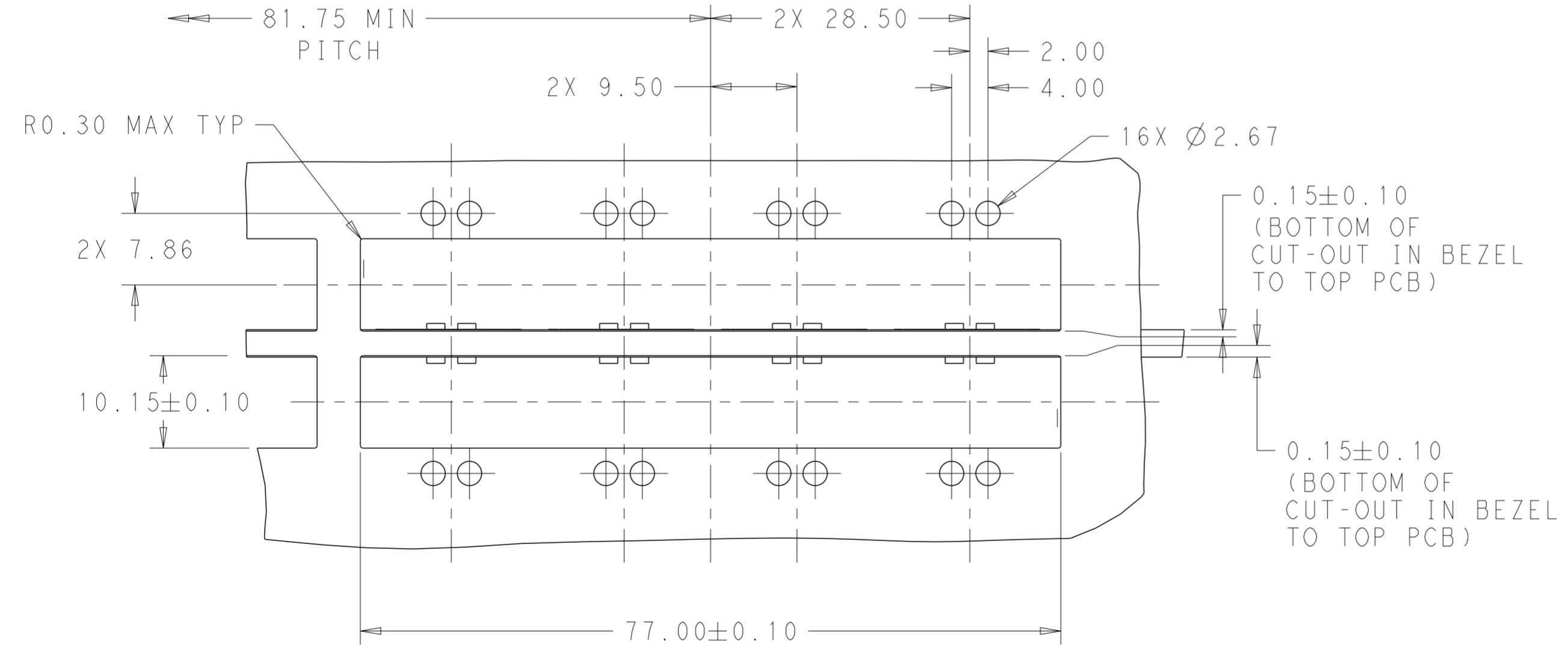
| | | | | |
|--|--|-------------------------------|-----------------|------------------------------|
| THIS DRAWING IS A CONTROLLED DOCUMENT. | | DWN 26 JAN 2014 JASON YANG | TE Connectivity | |
| | | CHK 08 NOV 2016 SEAN HAN | | |
| DIMENSIONS: mm | TOLERANCES UNLESS OTHERWISE SPECIFIED: | APVD - | NAME | RECEPTACLE CAGE ASSEMBLY |
| 0 PLC ± | 1 PLC ±0.25 | PRODUCT SPEC | 108-19428 | 1X4, QSFP28 WITH LIGHT PIPES |
| 2 PLC ±0.2 | 3 PLC ± | APPLICATION SPEC | 11-32023 | THRU BEZEL, GASKET |
| 4 PLC ± | ANGLES ± | WEIGHT | - | |
| MATERIAL SEE NOTES | FINISH SEE NOTES | SIZE | A2 | CAGE CODE |
| | | CUSTOMER DRAWING | 00779 | DRAWING NO |
| | | SCALE | 3:1 | SHEET |
| | | | 1 | OF |
| | | | 6 | REV |
| | | | | A2 |

THIS DRAWING IS UNPUBLISHED. RELEASED FOR PUBLICATION 20
 © COPYRIGHT 20 BY - ALL RIGHTS RESERVED.

| REVISIONS | | | | |
|-----------|-----|-------------|------|------|
| P | LTR | DESCRIPTION | DATE | APVD |
| - | - | SEE SHEET 1 | - | - |
| | | | | |
| | | | | |



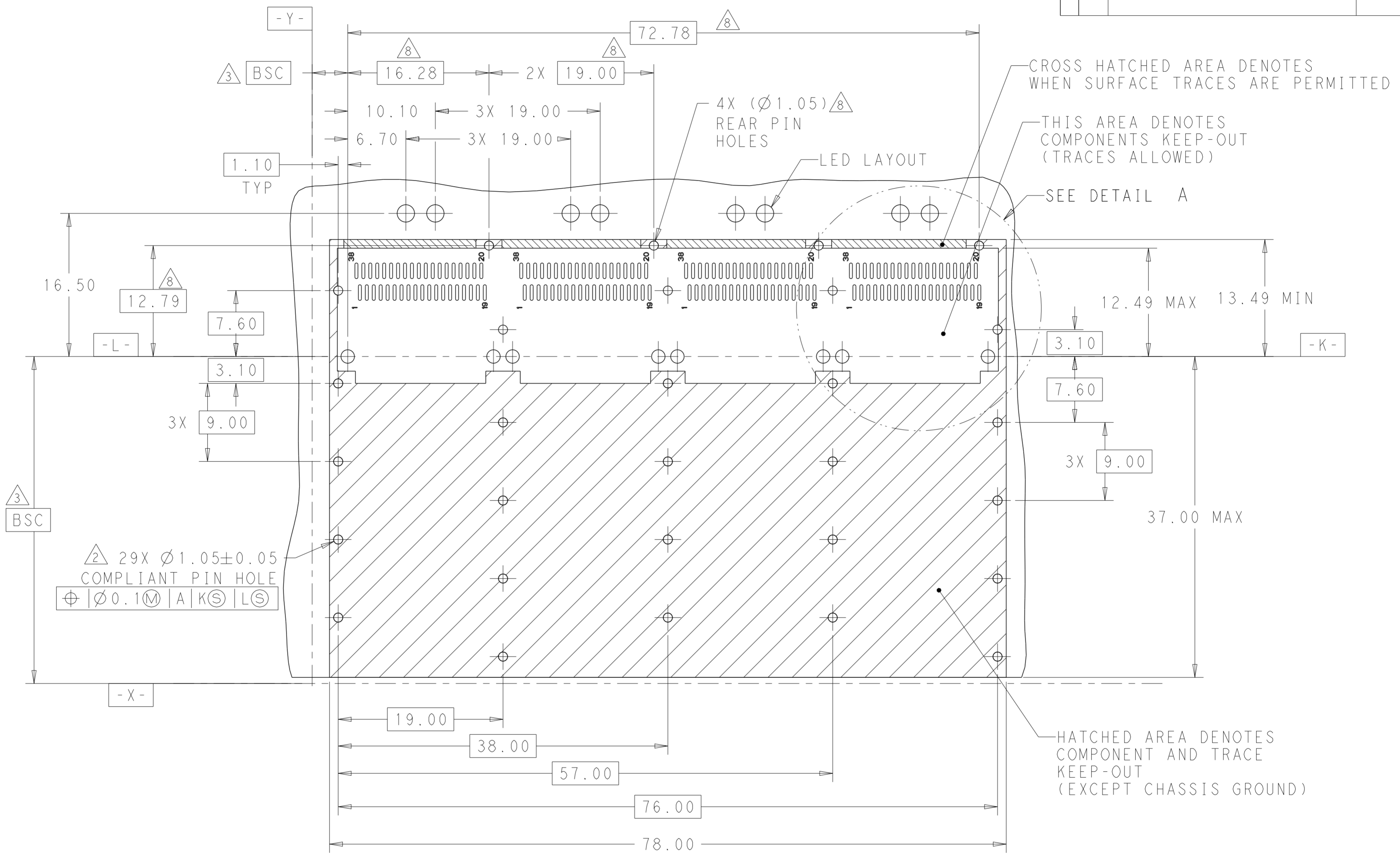
SINGLE SIDE MOUNTING
SCALE 2:1



BELLY TO BELLY MOUNTING
SCALE 2:1

| | | | | |
|--|--|----------------------------------|--|--------------------|
| THIS DRAWING IS A CONTROLLED DOCUMENT. | | DWN JASON YANG 26 JAN 2014 | TE Connectivity | |
| | | CHK SEAN HAN 08 NOV 2016 | | |
| DIMENSIONS: mm | TOLERANCES UNLESS OTHERWISE SPECIFIED: | APVD - | NAME RECEPTACLE CAGE ASSEMBLY 1X4, QSFP28 WITH LIGHT PIPES THRU BEZEL, GASKET | RESTRICTED TO |
| | 0 PLC ± 1 PLC ±0.25 2 PLC ±0.2 3 PLC ± 4 PLC ± ANGLES ± FINISH | PRODUCT SPEC 108-19428 | SIZE A2 | CAGE CODE 00779 |
| MATERIAL SEE NOTES | SEE NOTES | APPLICATION SPEC 11-32023 | DRAWING NO C-2170784 | SCALE 3:1 |
| | | WEIGHT - | CUSTOMER DRAWING | SHEET 2 OF 6 |
| | | | | REV A2 |

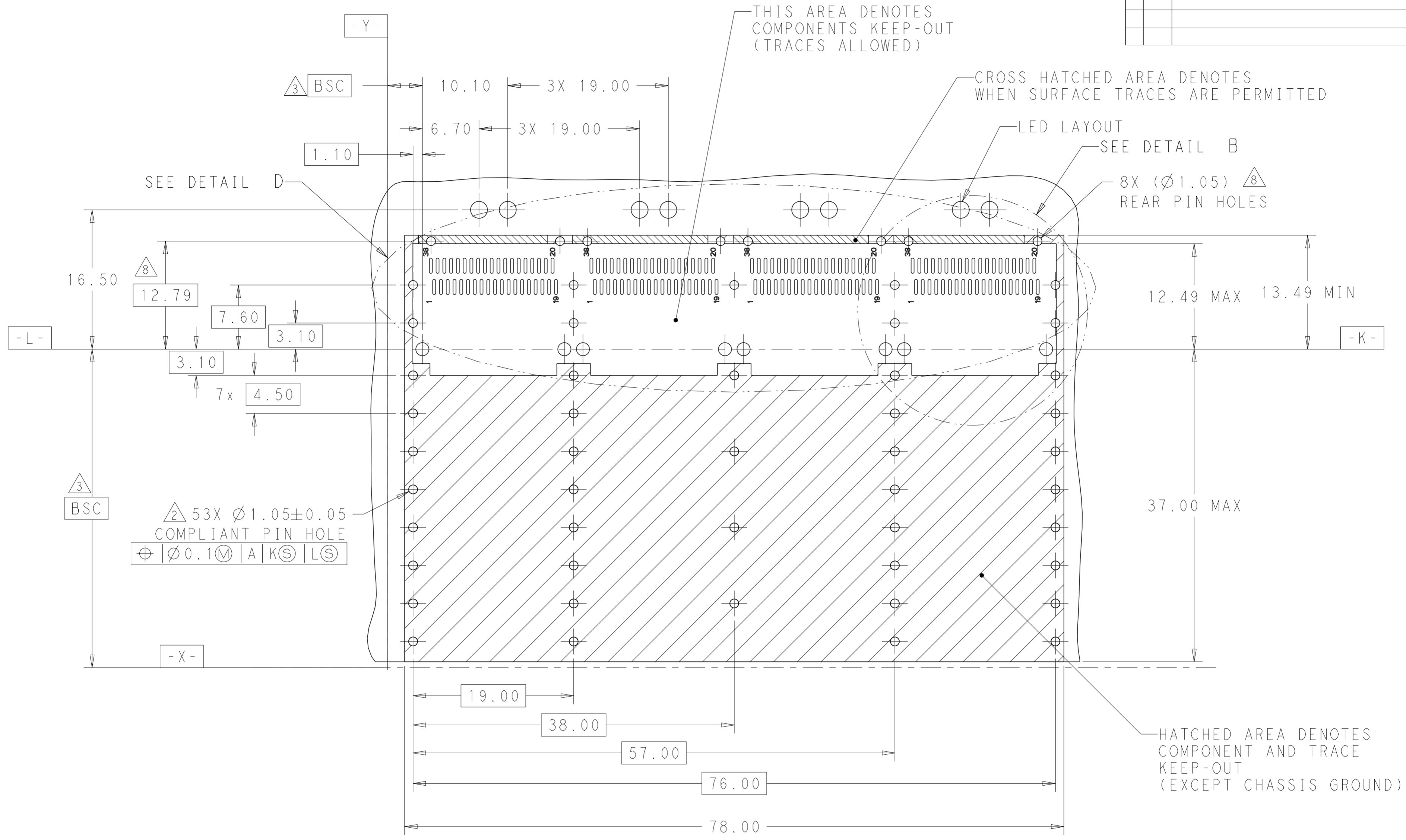
| REVISIONS | | | | |
|-----------|-----|-------------|------|------|
| P | LTR | DESCRIPTION | DATE | APVD |
| - | - | SEE SHEET 1 | - | - |
| | | | | |
| | | | | |



RECOMMENDED PCB LAYOUT
 SINGLE TYPE
 PCB TOLERANCE: ±0.05
 SCALE 3:1

| | | | | | | | | | | | | | | | | | | |
|--|-------|--|-------------------------------|--|-------|-------|------|-------|---|-------|---|--------|---|--------|---|---------------------------|------------|--------------------|
| THIS DRAWING IS A CONTROLLED DOCUMENT. | | DWN JASON YANG 26 JAN 2014 | TE Connectivity | | | | | | | | | | | | | | | |
| | | CHK SEAN HAN 08 NOV 2016 | | | | | | | | | | | | | | | | |
| DIMENSIONS: mm | | TOLERANCES UNLESS OTHERWISE SPECIFIED: | | NAME RECEPTACLE CAGE ASSEMBLY 1X4, QSFP28 WITH LIGHT PIPES THRU BEZEL, GASKET | | | | | | | | | | | | | | |
| <table border="0"> <tr><td>0 PLC</td><td>±</td></tr> <tr><td>1 PLC</td><td>±0.25</td></tr> <tr><td>2 PLC</td><td>±0.2</td></tr> <tr><td>3 PLC</td><td>±</td></tr> <tr><td>4 PLC</td><td>±</td></tr> <tr><td>ANGLES</td><td>±</td></tr> <tr><td>FINISH</td><td>±</td></tr> </table> | | 0 PLC | ± | 1 PLC | ±0.25 | 2 PLC | ±0.2 | 3 PLC | ± | 4 PLC | ± | ANGLES | ± | FINISH | ± | PRODUCT SPEC 108-19428 | SIZE A2 | CAGE CODE 00779 |
| 0 PLC | ± | | | | | | | | | | | | | | | | | |
| 1 PLC | ±0.25 | | | | | | | | | | | | | | | | | |
| 2 PLC | ±0.2 | | | | | | | | | | | | | | | | | |
| 3 PLC | ± | | | | | | | | | | | | | | | | | |
| 4 PLC | ± | | | | | | | | | | | | | | | | | |
| ANGLES | ± | | | | | | | | | | | | | | | | | |
| FINISH | ± | | | | | | | | | | | | | | | | | |
| MATERIAL SEE NOTES | | APPLICATION SPEC 11-32023 | DRAWING NO C-2170784 | RESTRICTED TO - | | | | | | | | | | | | | | |
| | | WEIGHT - | SCALE 3:1 SHEET 3 OF 6 REV A2 | | | | | | | | | | | | | | | |
| | | CUSTOMER DRAWING | | | | | | | | | | | | | | | | |

| REVISIONS | | | | |
|-----------|-----|-------------|------|------|
| P | LTR | DESCRIPTION | DATE | APVD |
| - | - | SEE SHEET 1 | - | - |
| | | | | |
| | | | | |



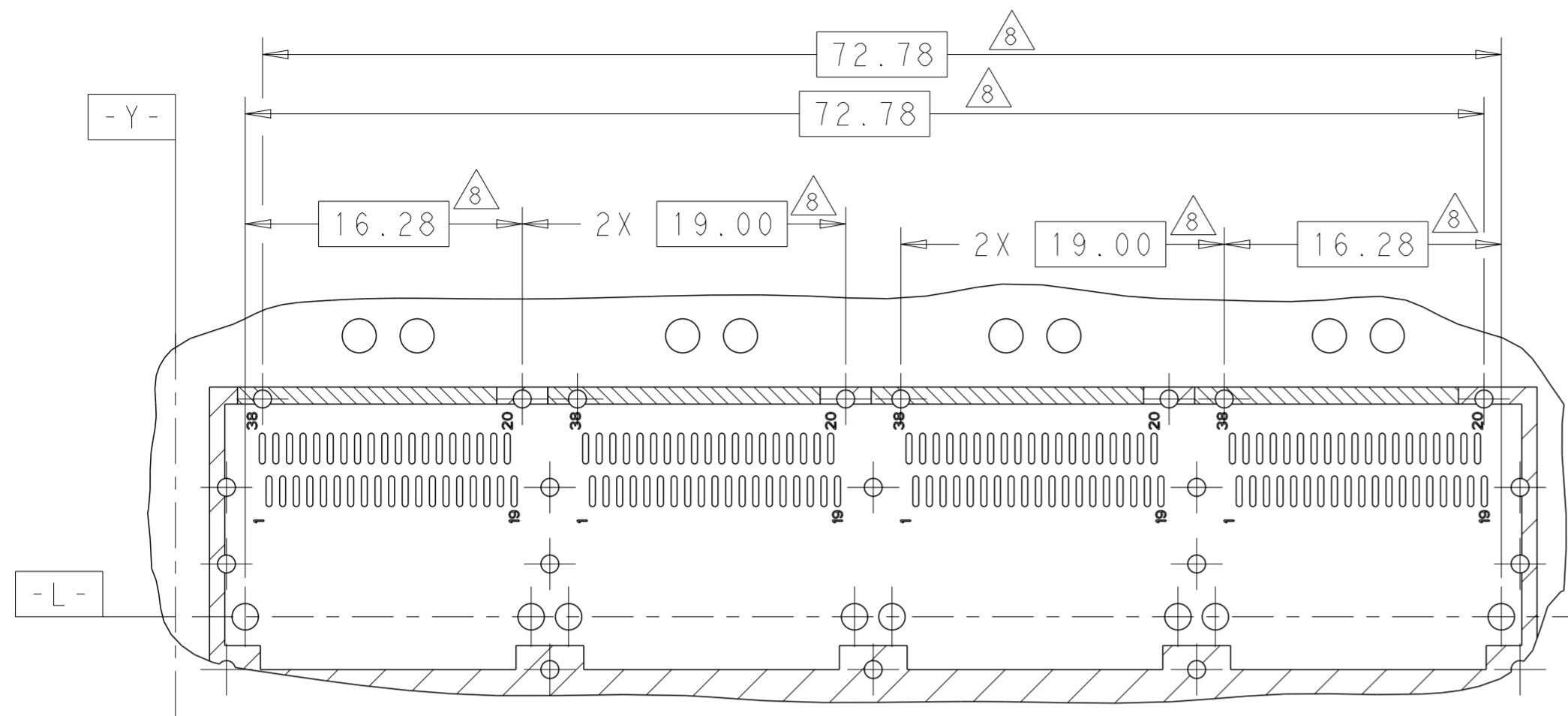
2 53X Ø1.05±0.05
 COMPLIANT PIN HOLE
 ⊕ | Ø0.1M | A | K | S | L | S

RECOMMENDED PCB LAYOUT
 BELLY TO BELLY TYPE
 PCB TOLERANCE: ±0.05
 SCALE 3:1

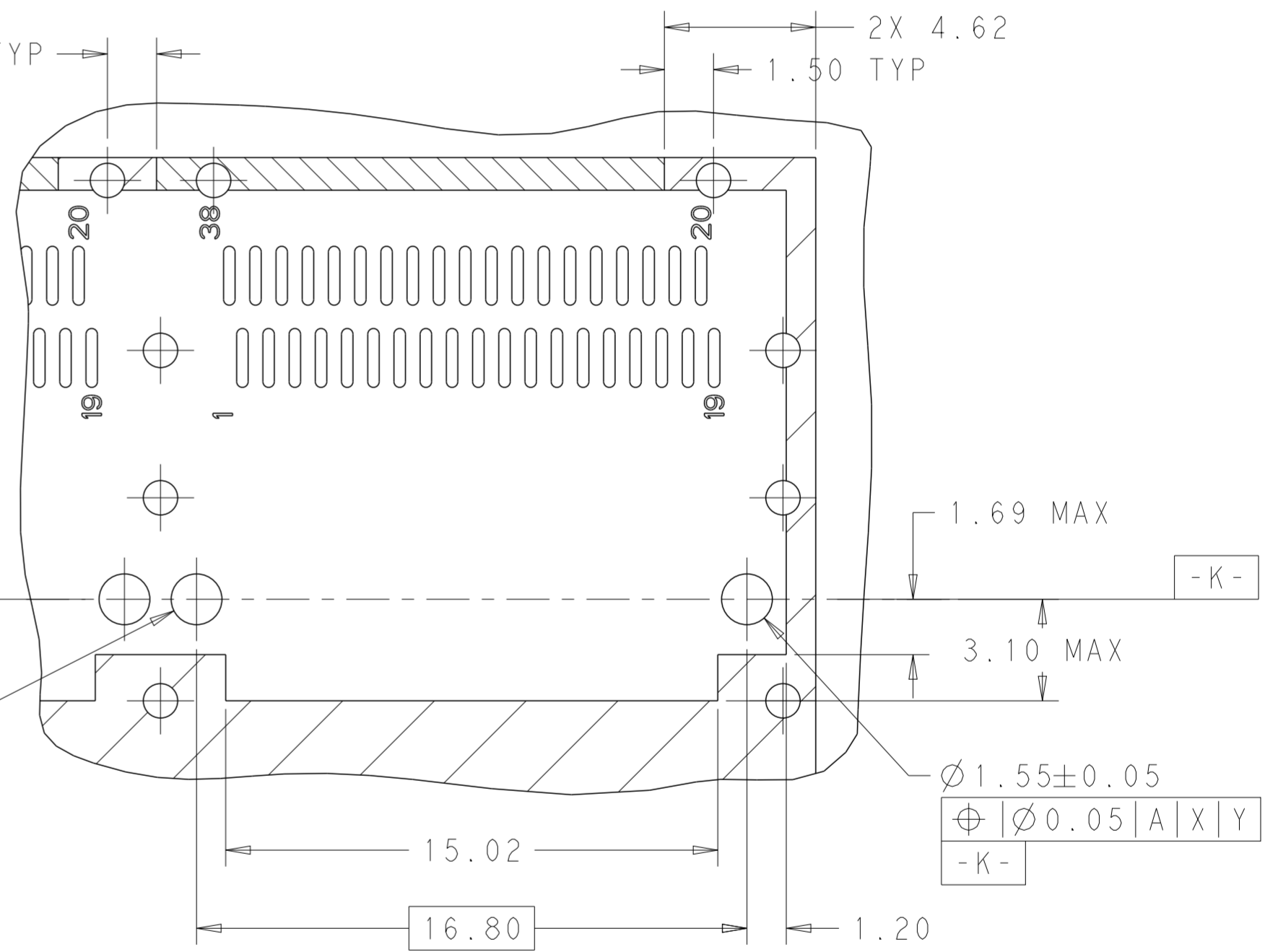
| | | | | |
|--|--|----------------------------------|--|--------------------|
| THIS DRAWING IS A CONTROLLED DOCUMENT. | | DWN JASON YANG 26 JAN 2014 | TE Connectivity | |
| | | CHK SEAN HAN 08 NOV 2016 | | |
| DIMENSIONS: mm | TOLERANCES UNLESS OTHERWISE SPECIFIED: | APVD - | NAME RECEPTACLE CAGE ASSEMBLY 1X4, QSFP28 WITH LIGHT PIPES THRU BEZEL, GASKET | RESTRICTED TO |
| | 0 PLC ± 1 PLC ±0.25 2 PLC ±0.2 3 PLC ± 4 PLC ± | PRODUCT SPEC 108-19428 | SIZE A2 | CAGE CODE 00779 |
| MATERIAL SEE NOTES | FINISH SEE NOTES | APPLICATION SPEC 11-32023 | DRAWING NO C-2170784 | SCALE 3:1 |
| | | WEIGHT - | CUSTOMER DRAWING | SHEET 4 OF 6 |
| | | | | REV A2 |

THIS DRAWING IS UNPUBLISHED. RELEASED FOR PUBLICATION 20
 © COPYRIGHT 20 BY - ALL RIGHTS RESERVED.

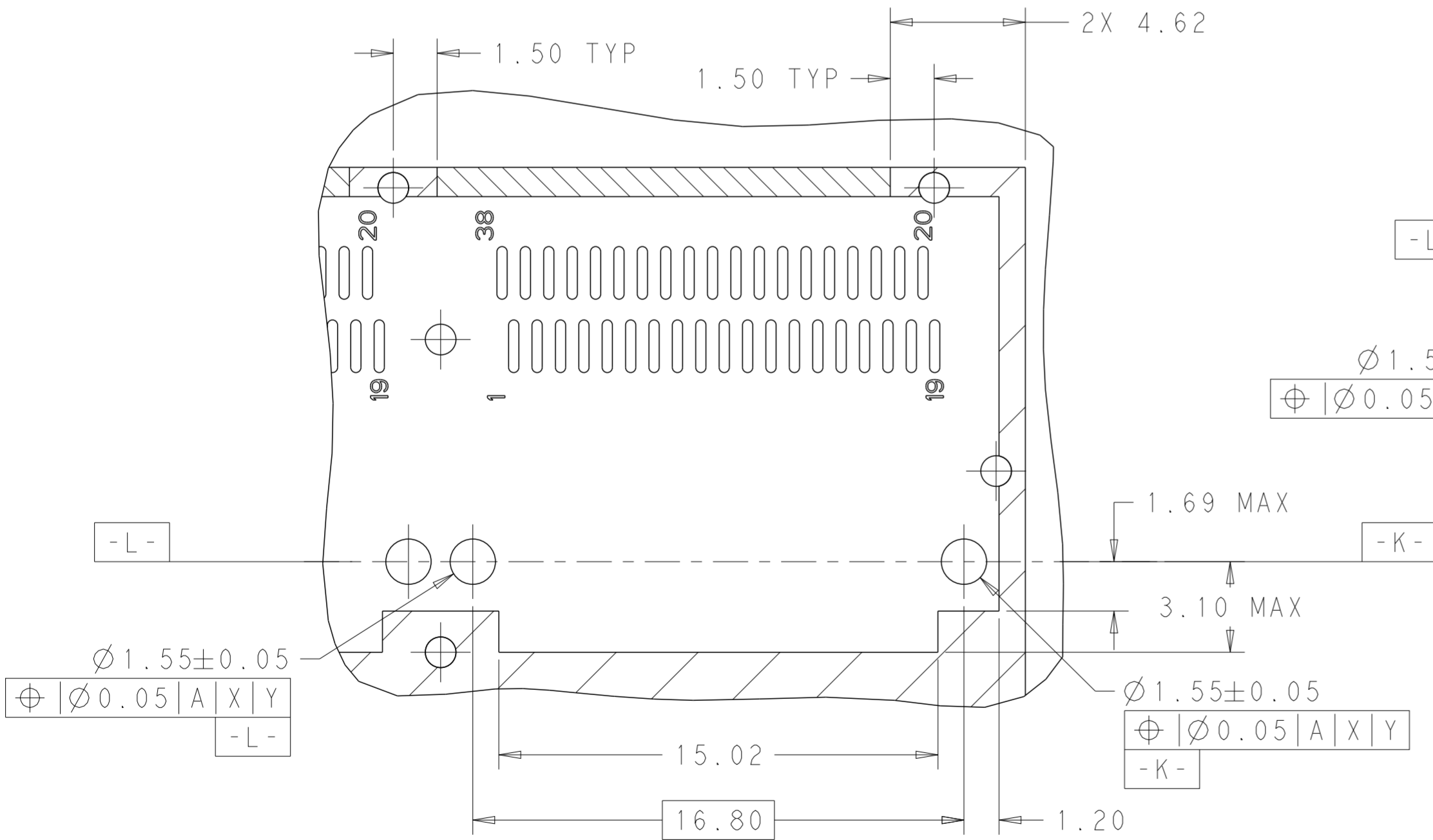
| REVISIONS | | | | |
|-----------|-----|-------------|------|------|
| P | LTR | DESCRIPTION | DATE | APVD |
| - | - | SEE SHEET 1 | - | - |
| | | | | |
| | | | | |



DETAIL D
SCALE 3:1



DETAIL B
SCALE 6:1

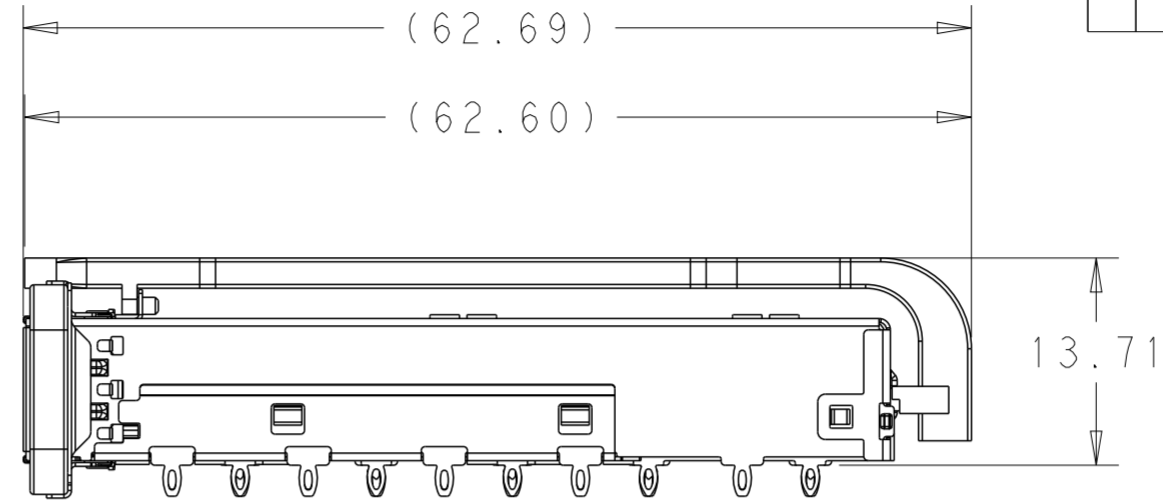
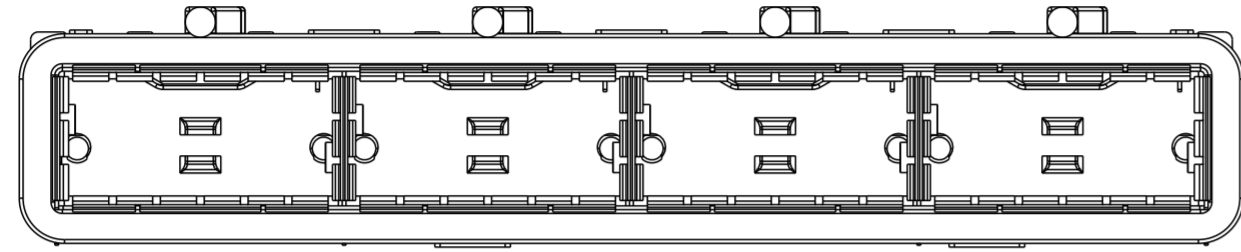


DETAIL A
SCALE 6:1


| | | | | |
|--|--|--|--|-------------------------|
| THIS DRAWING IS A CONTROLLED DOCUMENT. | | DWN JASON YANG 26 JAN 2014 | STE TE Connectivity | |
| | | CHK SEAN HAN 08 NOV 2016 | | |
| DIMENSIONS: mm | TOLERANCES UNLESS OTHERWISE SPECIFIED: 0 PLC ± 1 PLC ±0.25 2 PLC ±0.2 3 PLC ± 4 PLC ± ANGLES ± FINISH | APVD - | NAME RECEPTACLE CAGE ASSEMBLY 1X4, QSFP28 WITH LIGHT PIPES THRU BEZEL, GASKET | RESTRICTED TO - |
| MATERIAL SEE NOTES | SEE NOTES | PRODUCT SPEC 108-19428 APPLICATION SPEC 11-32023 WEIGHT - | SIZE A200779 | DRAWING NO C-2170784 |
| | | CUSTOMER DRAWING | SCALE 3:1 | SHEET 5 OF 6 |

THIS DRAWING IS UNPUBLISHED. RELEASED FOR PUBLICATION 20
 © COPYRIGHT 20 BY - ALL RIGHTS RESERVED.

| REVISIONS | | | | | |
|-----------|-----|-------------|------|-----|------|
| P | LTR | DESCRIPTION | DATE | DWN | APVD |
| - | | SEE SHEET 1 | - | - | - |
| | | | | | |
| | | | | | |
| | | | | | |



2170784-3 AS SHOWN
 SCALE 2:1

| | | | | | |
|--|--|----------------------------------|---|--------------------------|------------|
| THIS DRAWING IS A CONTROLLED DOCUMENT. | | DWN JASON YANG 26 JAN 2014 |  TE Connectivity | | |
| | | CHK SEAN HAN 08 NOV 2016 | | | |
| DIMENSIONS: | TOLERANCES UNLESS OTHERWISE SPECIFIED: | APVD - | NAME | RECEPTACLE CAGE ASSEMBLY | |
| mm | 0 PLC ± 1 PLC ±0.25 2 PLC ±0.2 3 PLC ± 4 PLC ± | PRODUCT SPEC 108-19428 | SIZE | CAGE CODE | DRAWING NO |
| | ANGLES ± | APPLICATION SPEC 11-32023 | A2 | 00779 | C-2170784 |
| MATERIAL | FINISH | WEIGHT | RESTRICTED TO | | |
| SEE NOTES | SEE NOTES | - | - | | |
| | | CUSTOMER DRAWING | SCALE | SHEET | REV |
| | | | 3:1 | 6 OF 6 | A2 |