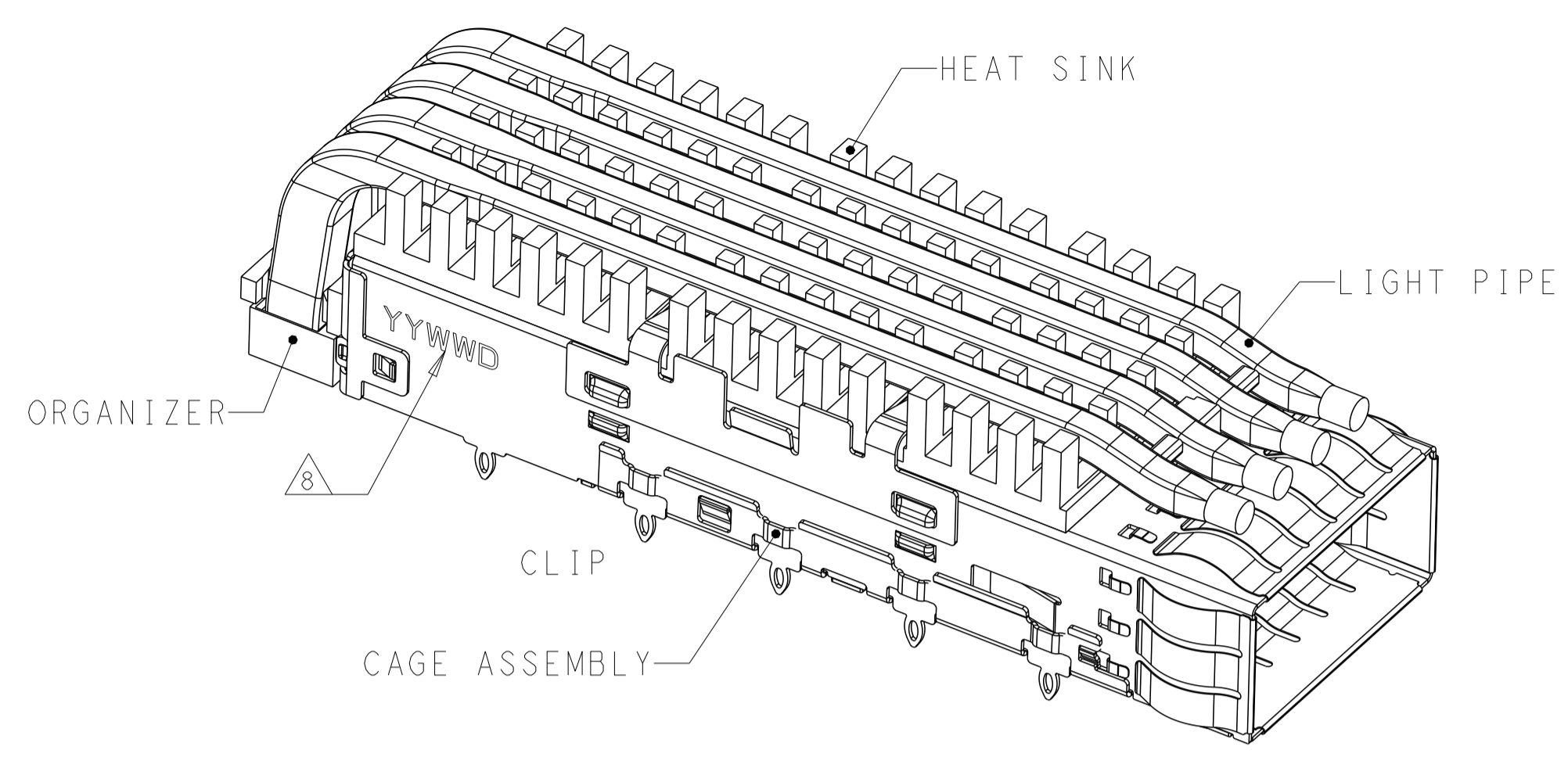
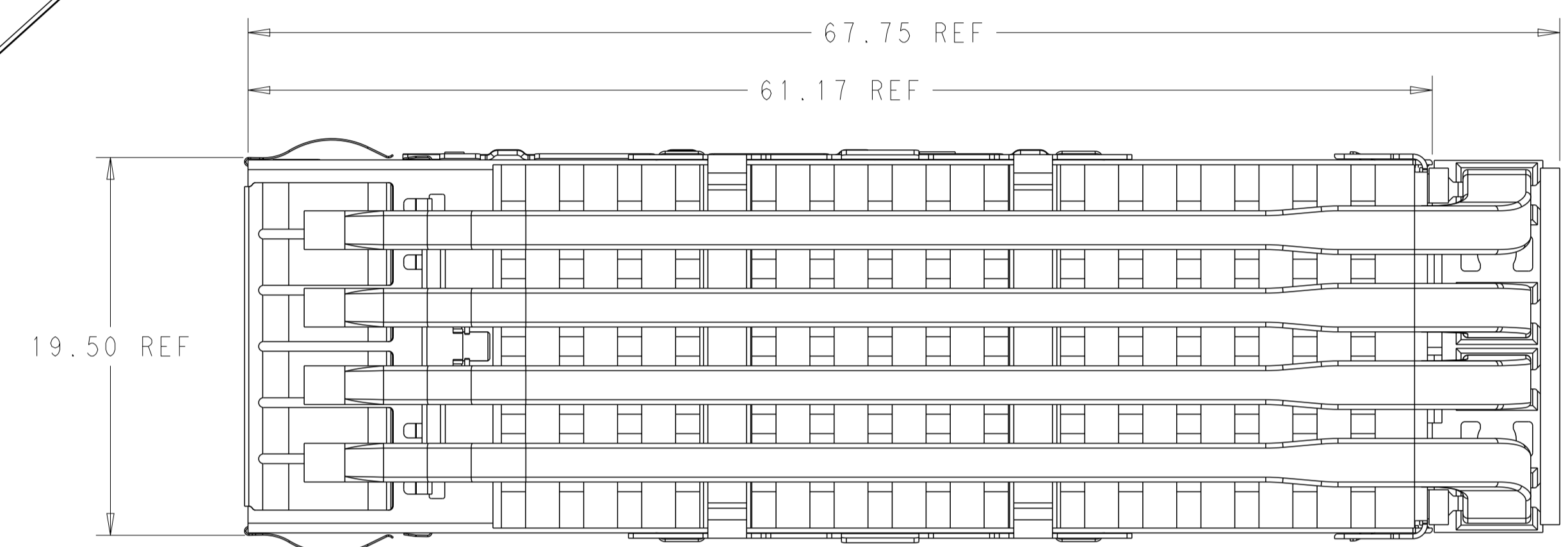


LOC		DIST		REVISIONS			
P	LTN	DESCRIPTION	DATE	DWN	APVD		
D3		ADD PART NO. 3-1	22NOV2022	RY	SZ		
D4		ADD 6-4	06SEP2023	RY	SZ		
D5		REDUCE THE LP HEIGHT OF 6-4	18OCT2023	RY	SZ		
D6		REVISED PER ECN-23-241067	26OCT2023	RY	SZ		



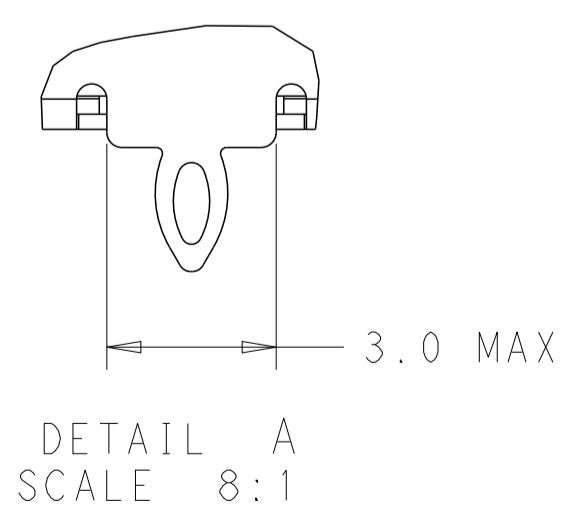
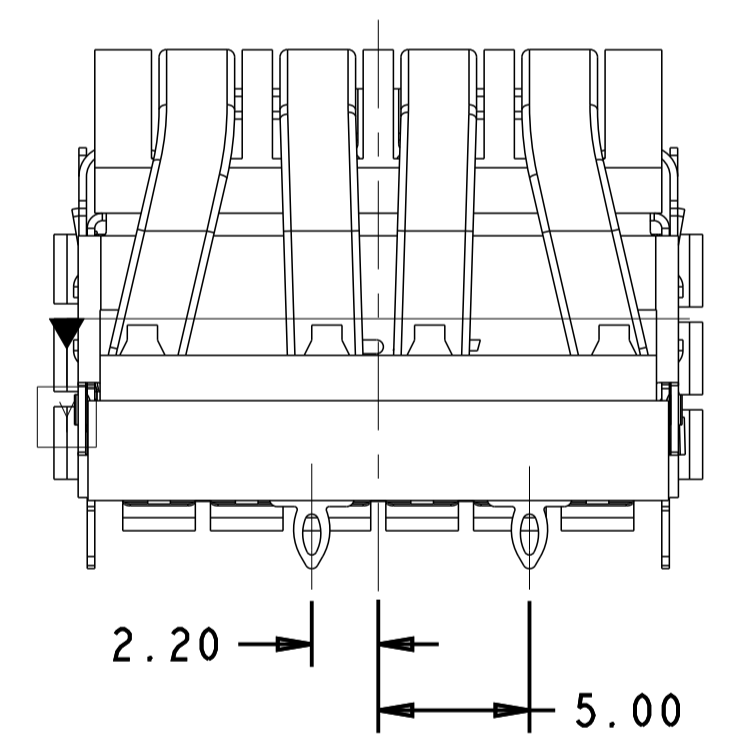
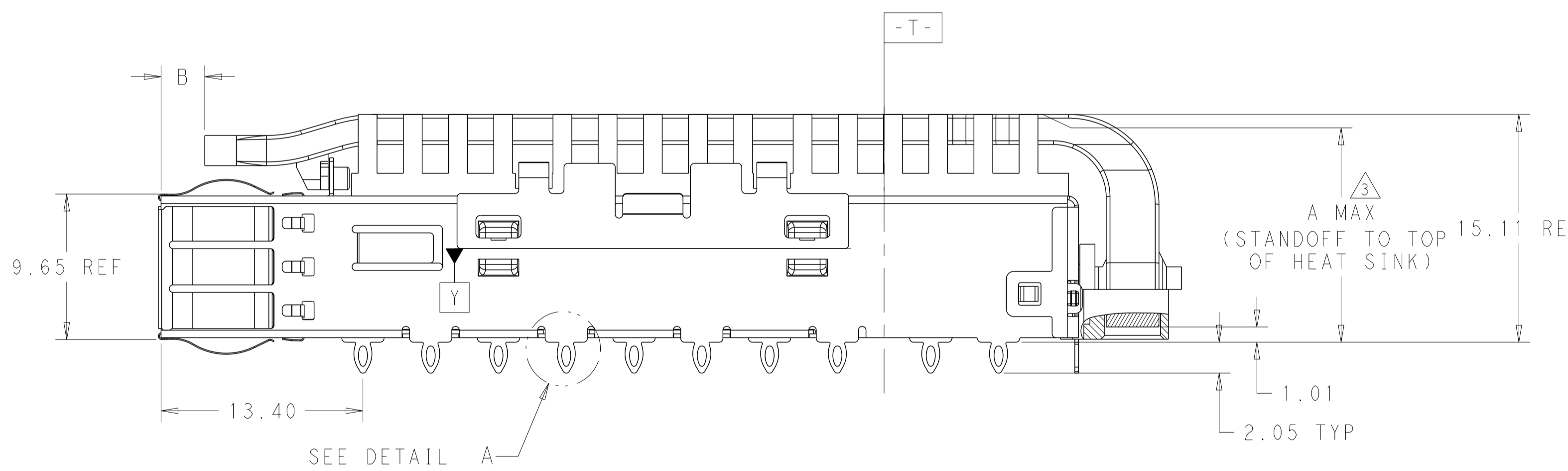
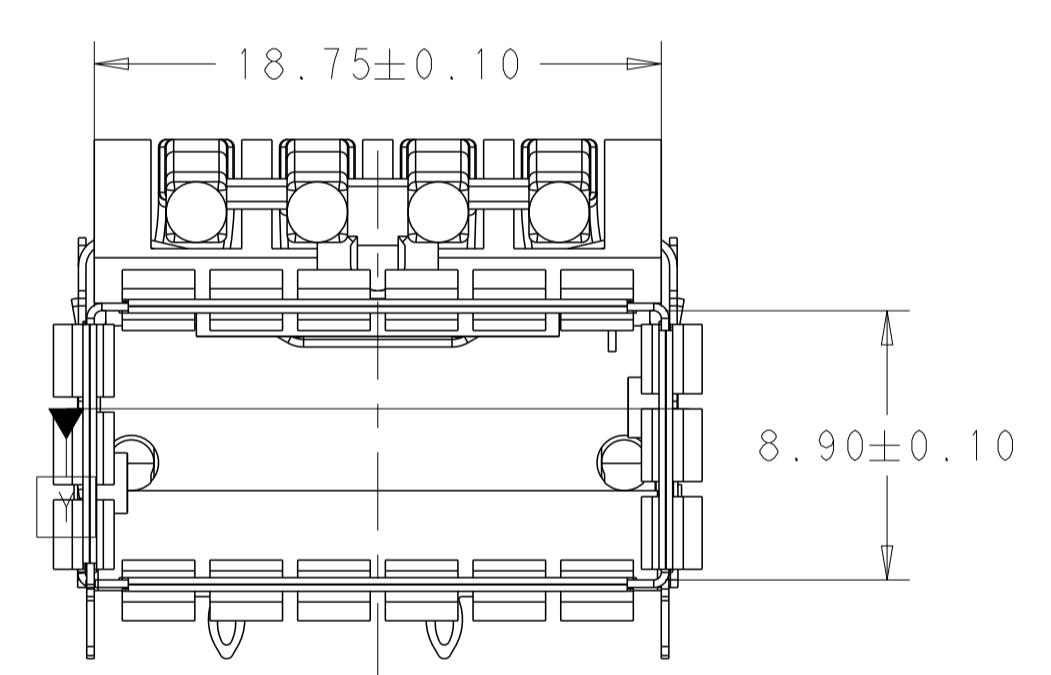
4-2170705-2 SHOWN  
SCALE 3:1



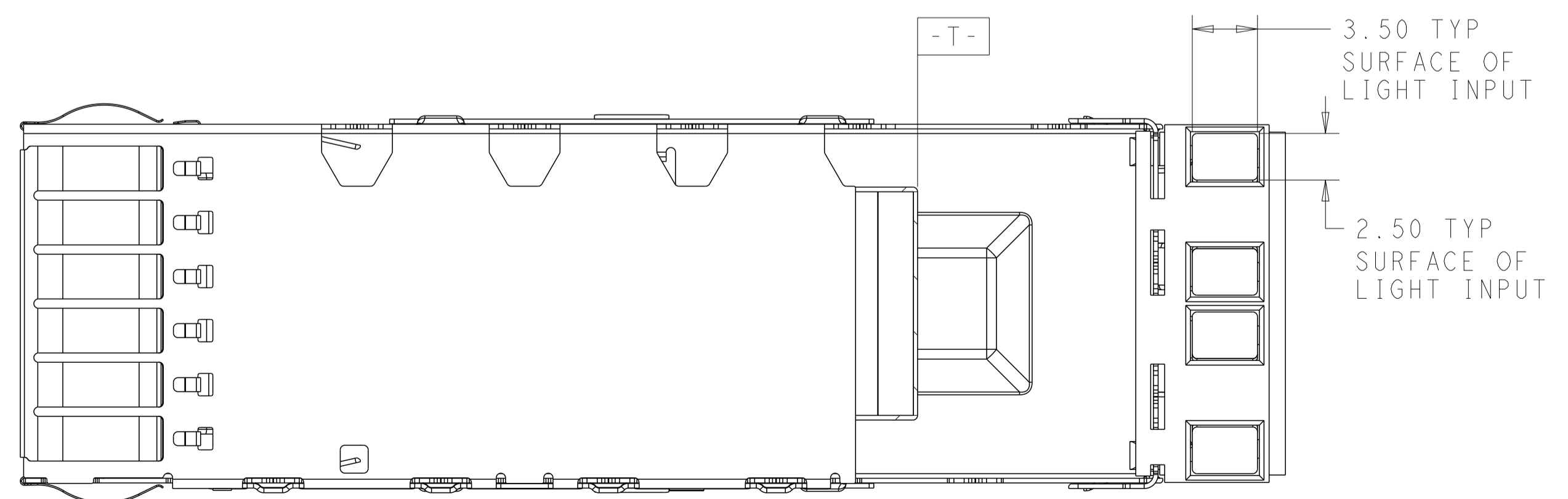
- MATERIAL: CAGE MATERIAL : 0.25 THICK NICKEL SILVER.  
 SPRING MATERIAL: COPPER ALLOY  
 HEAT SINK MATERIAL: ALUMINUM  
 CLIP MATERIAL: STAINLESS STEEL  
 LIGHT PIPE MATERIAL: POLYCARBONATE  
 ORGANIZER MATERIAL: POLYESTER

- FINISH: SPRING: NICKEL PLATING  
 HEAT SINK: BLACK ANODIZE

- ⚠ DIMENSION APPLIES WITH MODULE INSTALLED IN THE CAGE TO TOP OF HEAT SINK.
- ⚠ REFERENCE APPLICATION SPEC 114-32023 FOR RECOMMENDED DRILL HOLE DIAMETER AND PLATING THICKNESS.
- ⚠ DATUM AND BASIC DIMENSIONS ESTABLISHED BY CUSTOMERS.
- 6. MINIMUM PC BOARD THICKNESS : SINGLES SIDED: 1.57 MIN  
 DOUBLE SIDED: 2.20 MIN
- ⚠ DATUM -A- IS TOP SURFACE OF THE HOST BOARD.
- ⚠ DATE CODE (YYWW) MARKED APPROXIMATELY AS SHOWN
- ⚠ THESE HOLES ARE OPTIONAL WHEN THE REAR PINS ARE REMOVED.
- 10. MATES WITH QSFP28 MSA COMPATIBLE TRANSCEIVER.
- ⚠ PRELIMINARY PART - NOT RELEASE TO PRODUCTION.



DETAIL A  
SCALE 8:1

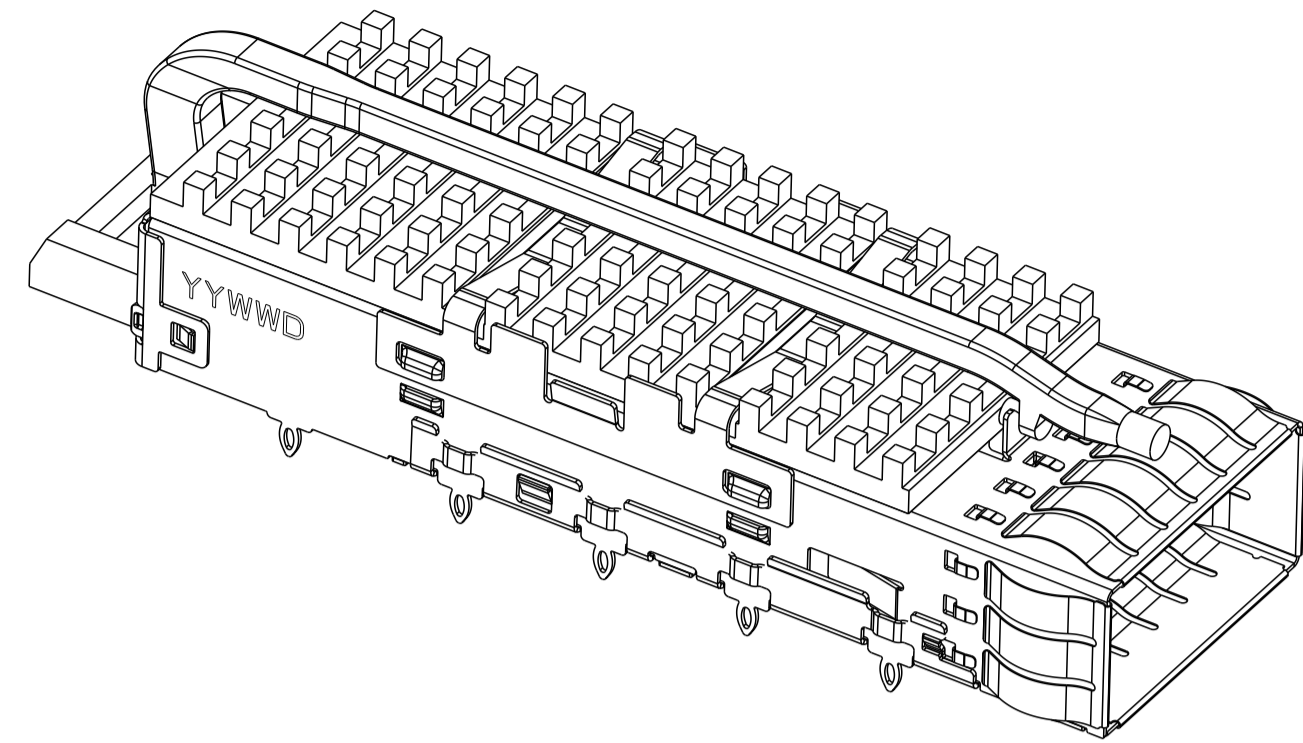


4-2170705-2 AS SHOWN

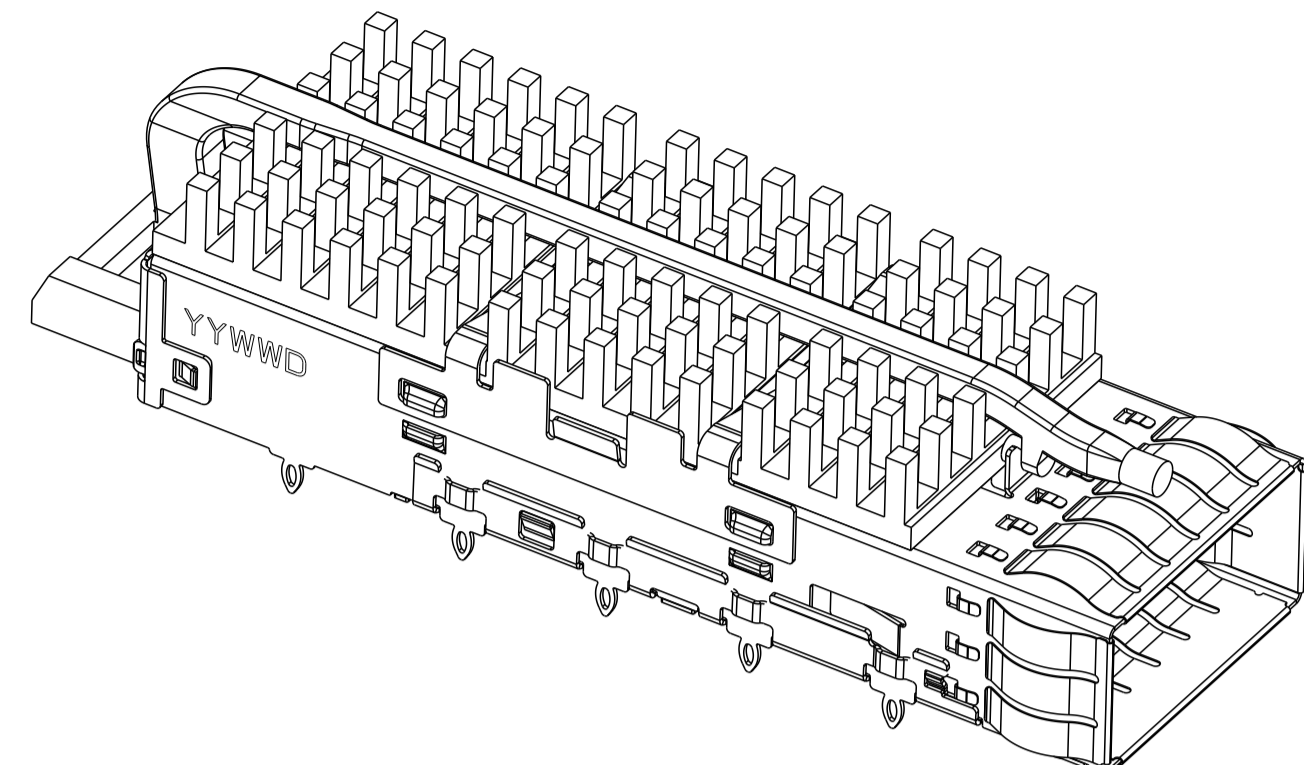
THIS DRAWING IS A CONTROLLED DOCUMENT.		DWN: JASON YANG 07MAR2014	TE Connectivity
		CHK: SEAN HAN 26JAN2016	
DIMENSIONS:	TOLERANCES UNLESS OTHERWISE SPECIFIED:	APVD:	NAME:
mm	0 PLC ±0.25 1 PLC ±0.25 2 PLC ±0.25 3 PLC ±0.25 4 PLC ±0.100 ANGLES ±°	PRODUCT SPEC: 108-19428	CAGE ASSEMBLY, QSFP28, THRU BEZEL WITH EMI SPRING FINGER HEAT SINK, LIGHT PIPE
MATERIAL:	FINISH:	APPLICATION SPEC: 114-32023	RESTRICTED TO:
		WEIGHT:	A100779C=2170705
		CUSTOMER DRAWING	SCALE 2:1 SHEET 1 OF 9 REV D6

LOC		DIST		REVISIONS				
P	LYR	DATE	OWN	APVD	DESCRIPTION	DATE	OWN	APVD
-	-	-	-	-	SEE SHEET 1	-	-	-

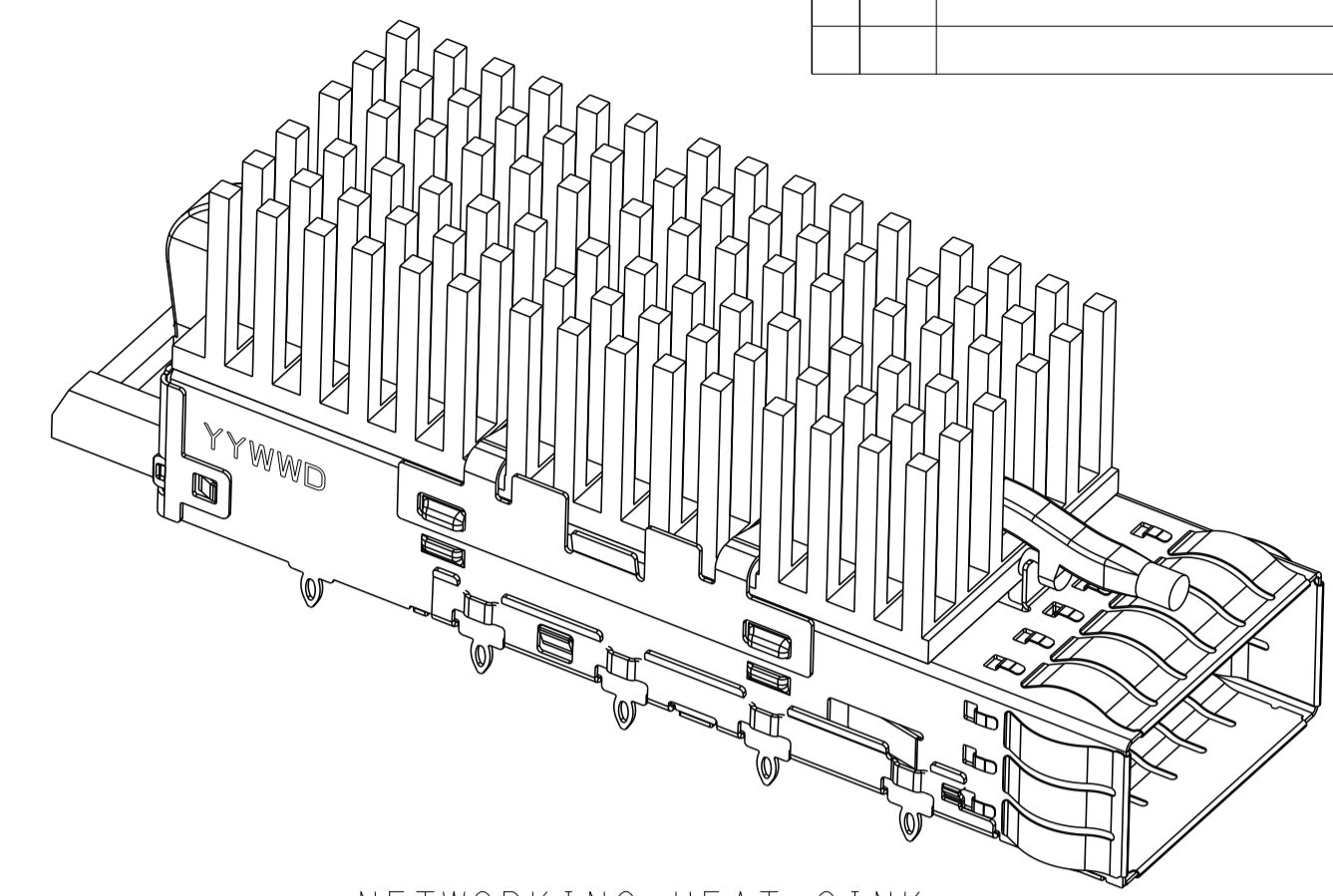
# HEAT SINK OPTIONS



PCI HEAT SINK  
SCALE 5:2

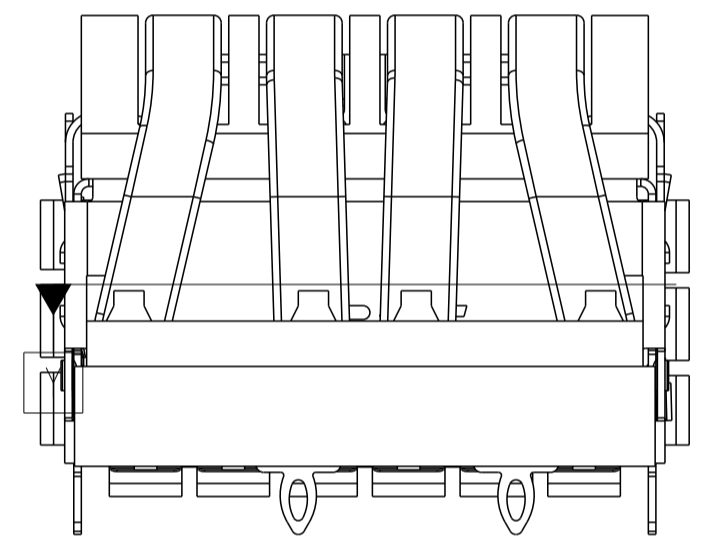


SAN HEAT SINK  
SCALE 5:2

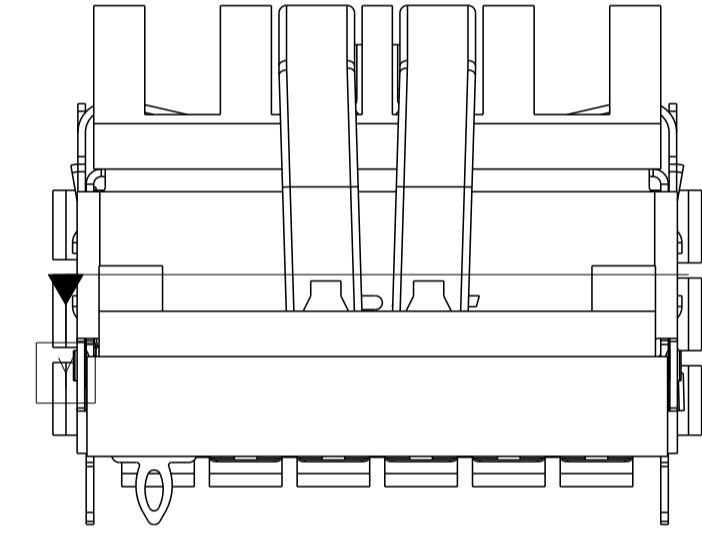


NETWORKING HEAT SINK  
SCALE 5:2

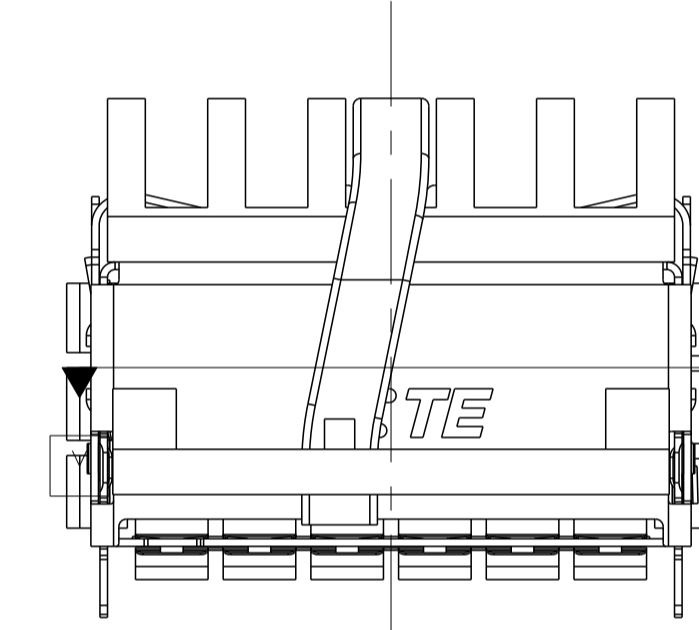
# # OF REAR LEGS OPTIONS



2 REAR LEGS  
SCALE 4:1

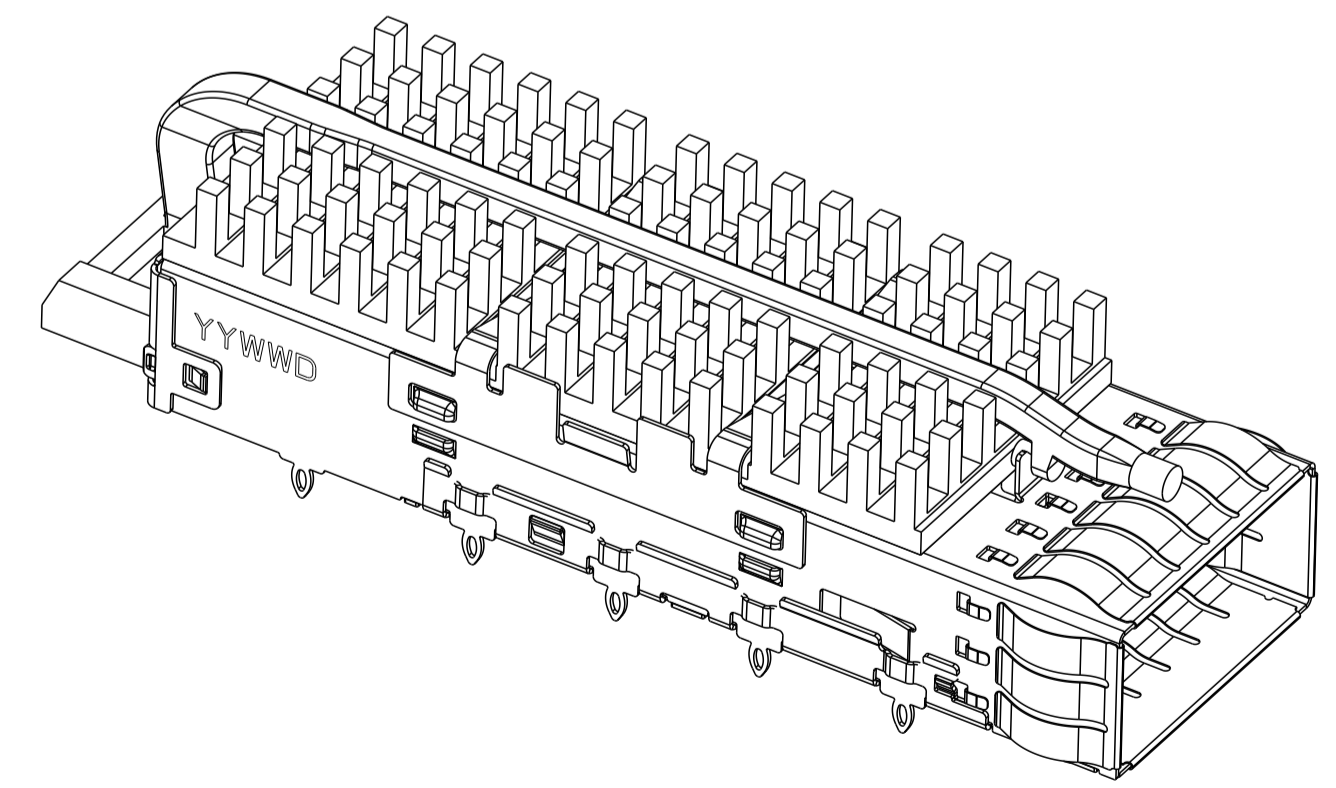


1 REAR LEG  
SCALE 4:1

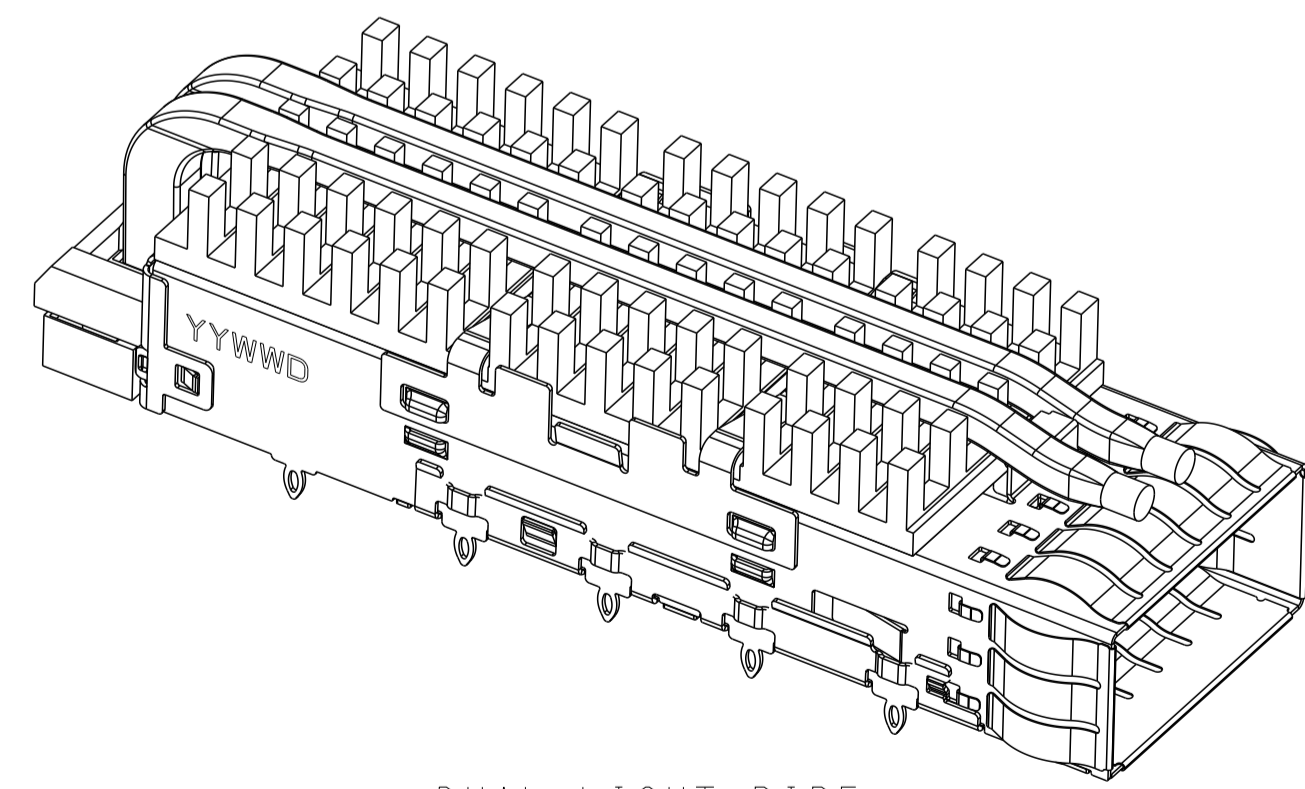


0 REAR LEG  
SCALE 4:1

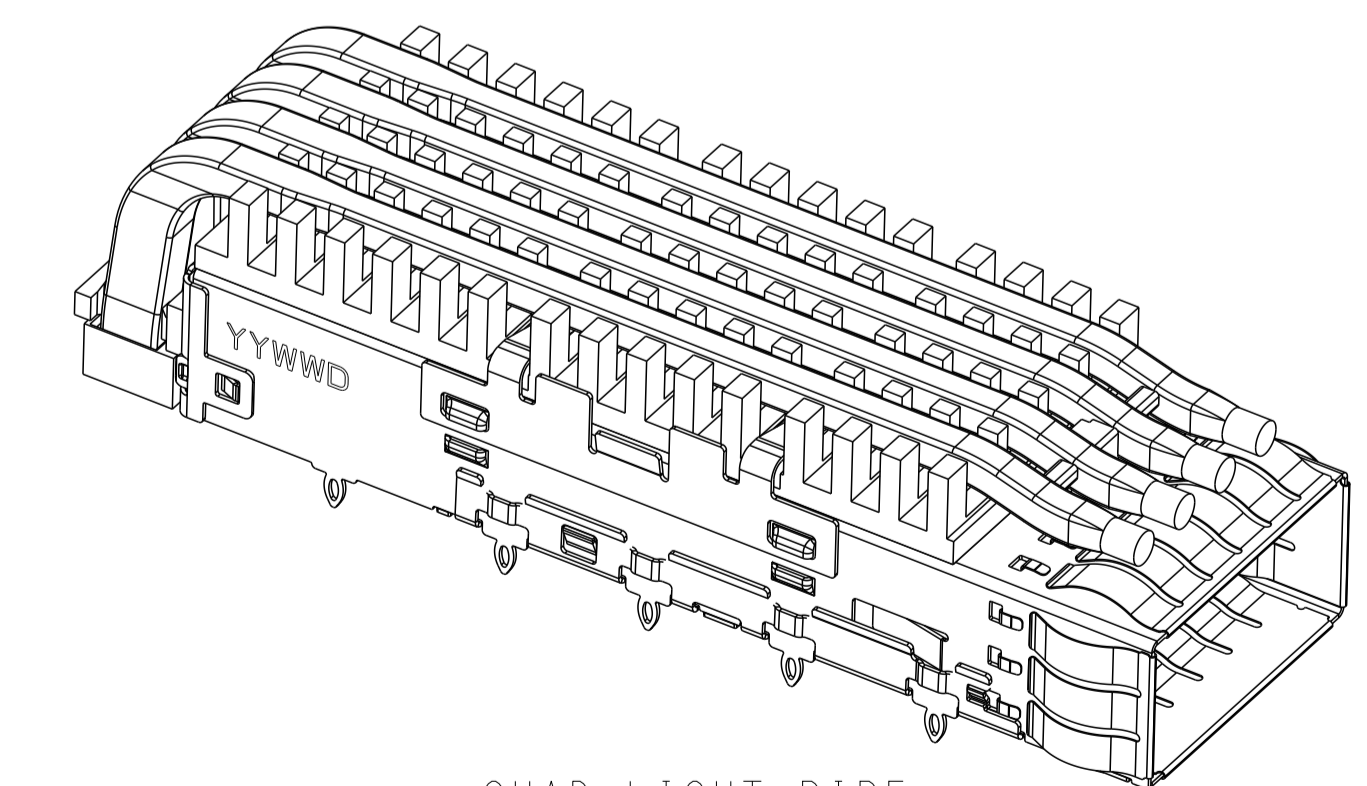
# LIGHT PIPE OPTIONS



SINGLE LIGHT PIPE  
WITHOUT ORGANIZER  
SCALE 5:2



DUAL LIGHT PIPE  
SCALE 5:2

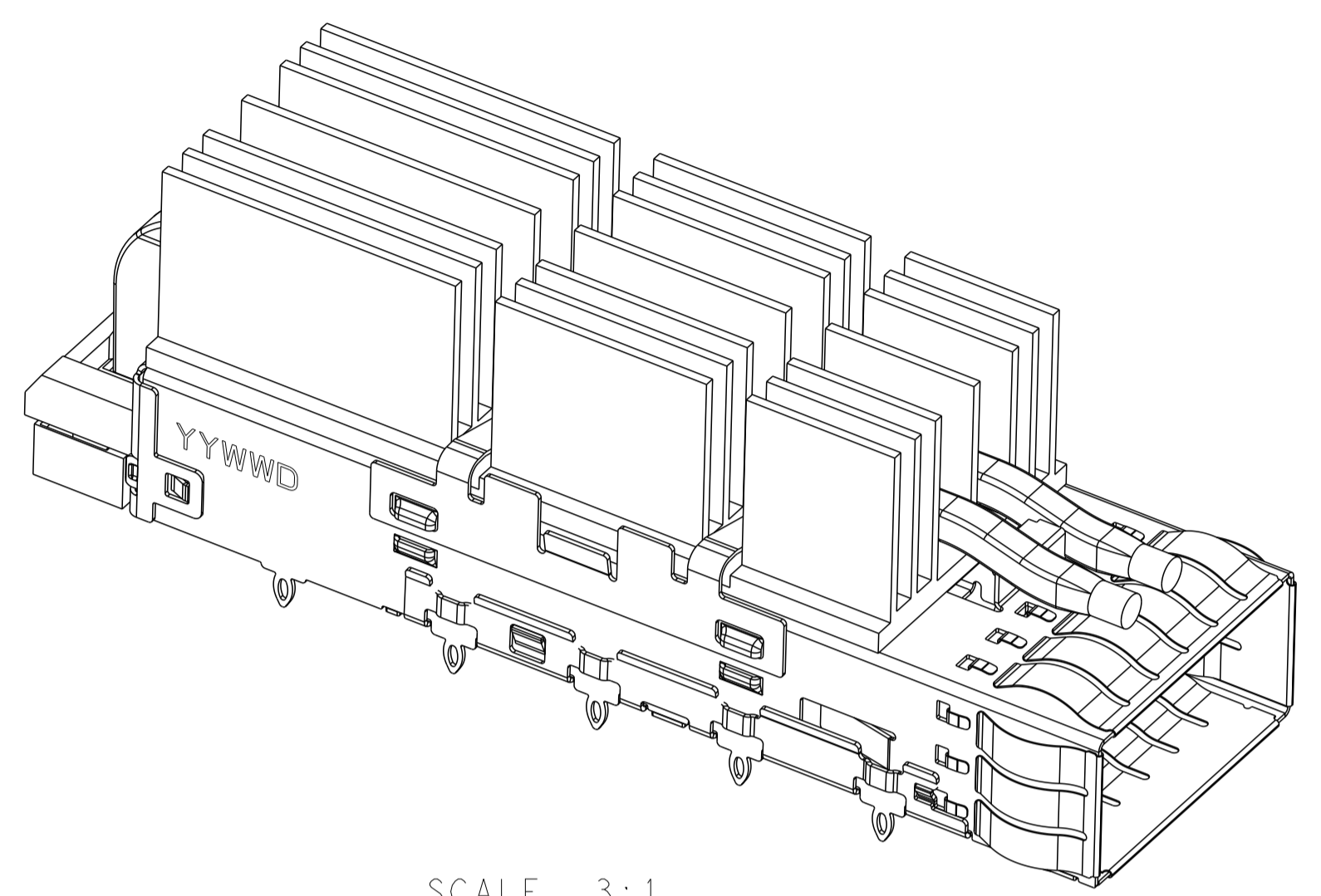


QUAD LIGHT PIPE  
SCALE 5:2

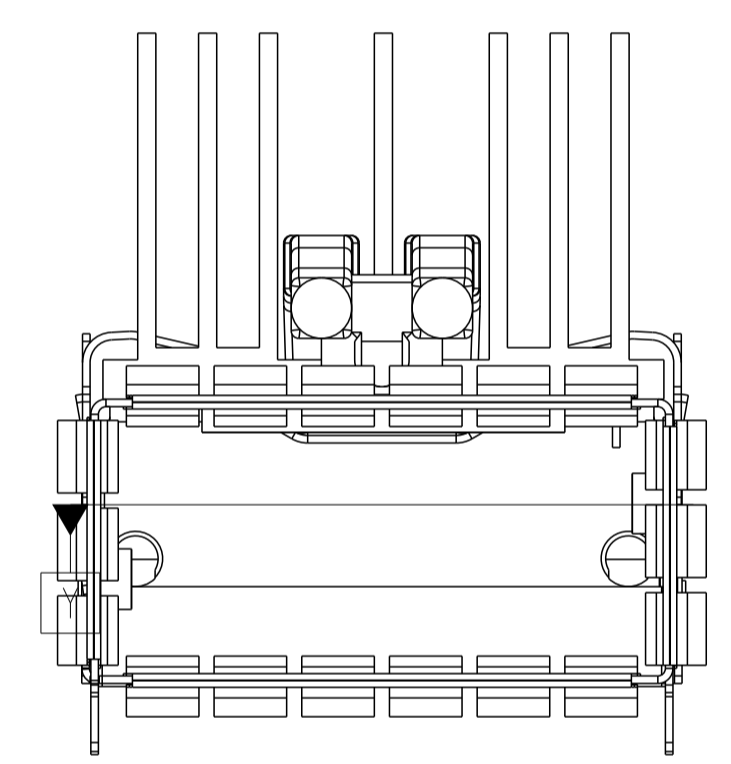
THIS DRAWING IS A CONTROLLED DOCUMENT.		OWN: JASON YANG 07MAR2014	TE Connectivity
		CHK: SEAN HAN 26JAN2016	
DIMENSIONS:	TOLERANCES UNLESS OTHERWISE SPECIFIED:	APVD:	NAME:
mm	0 PLC ±0.25	PRODUCT SPEC	CAGE ASSEMBLY, QSFP28, THRU BEZEL
	1 PLC ±0.25	108-19428	WITH EMI SPRING FINGER
	2 PLC ±0.25	APPLICATION SPEC	HEAT SINK, LIGHT PIPE
	3 PLC ±0.25	114-32023	SIZE: CAGE CODE DRAWING NO
	4 PLC ±0.100	WEIGHT	A100779C=2170705
	ANGLES ±°	CUSTOMER DRAWING	RESTRICTED TO
MATERIAL:	FINISH:	SCALE 2:1	SHEET 2 OF 9
			REV D6

LOC		DIST		REVISIONS			
P	LTN	DESCRIPTION	DATE	DMN	APVD		
-	-	SEE SHEET 1	-	-	-		

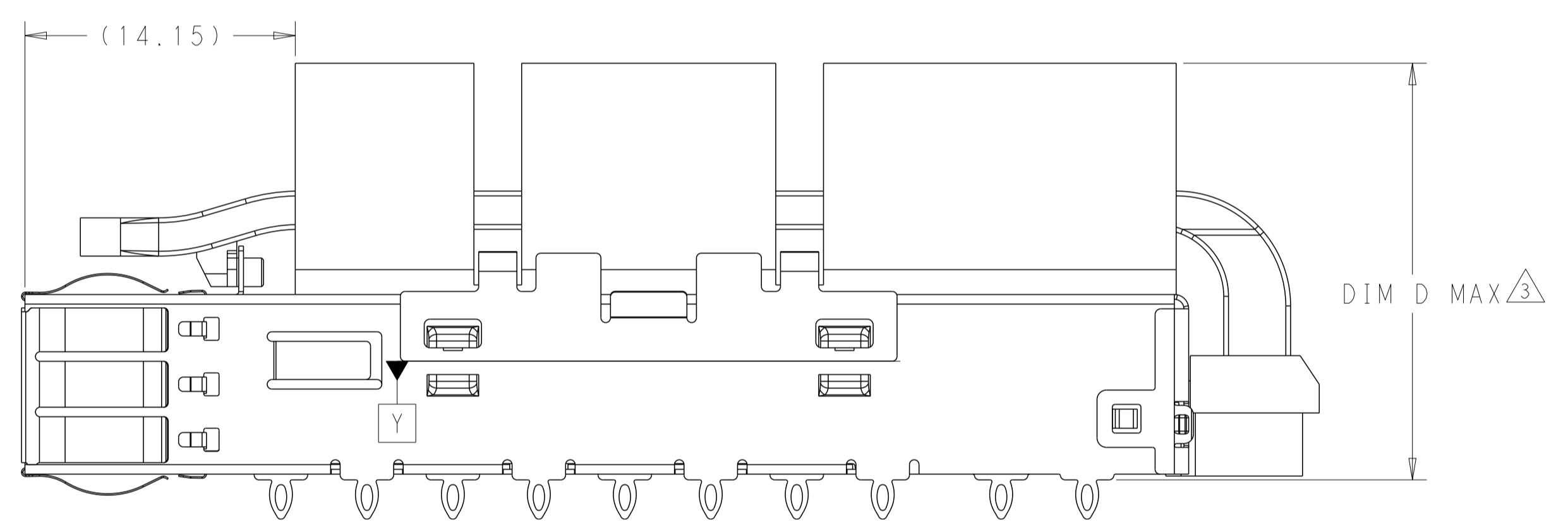
3-2170705-0/1  
 UNMARKED DIMENSIONS SAME AS 2-2170705-6



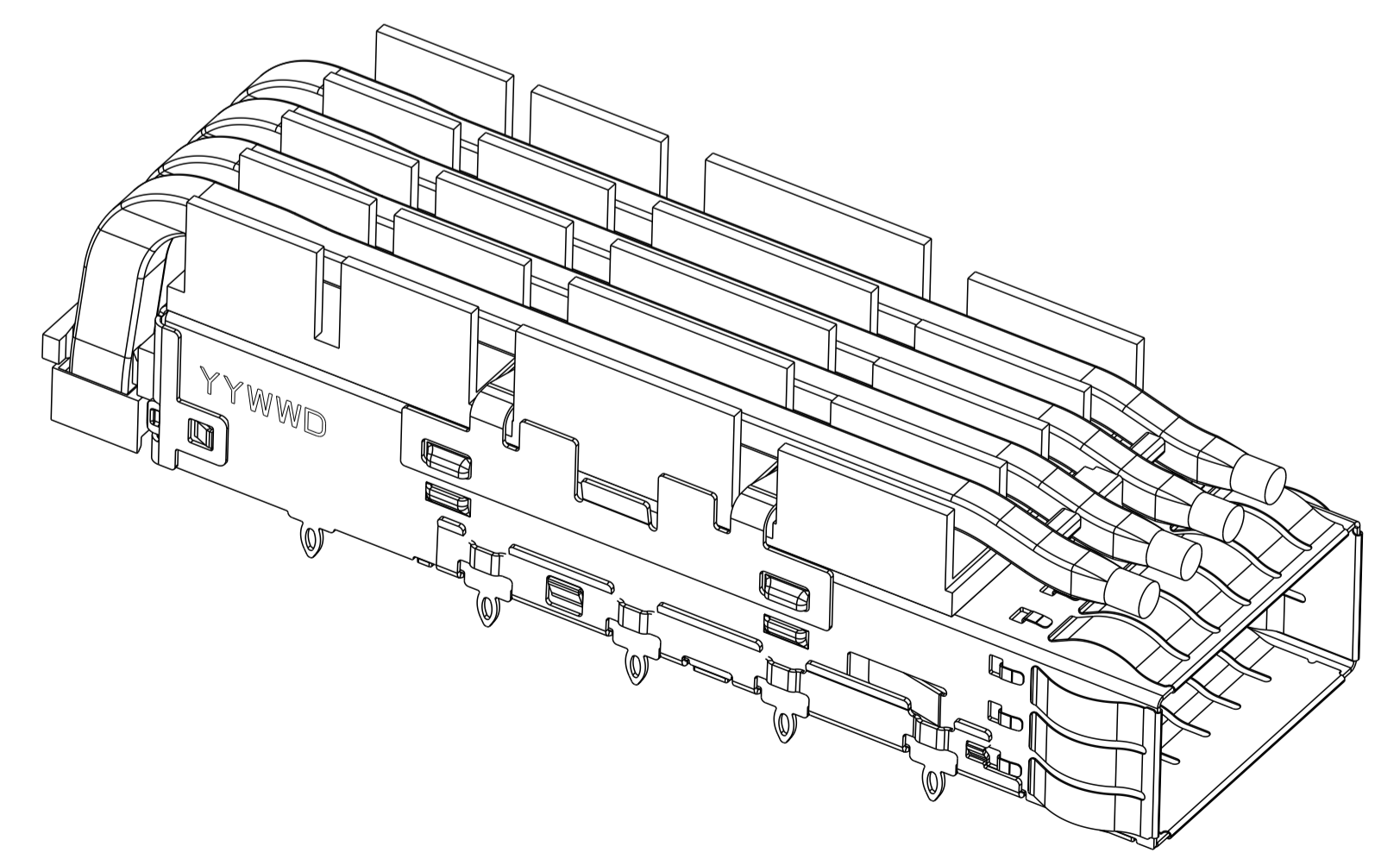
SCALE 3:1



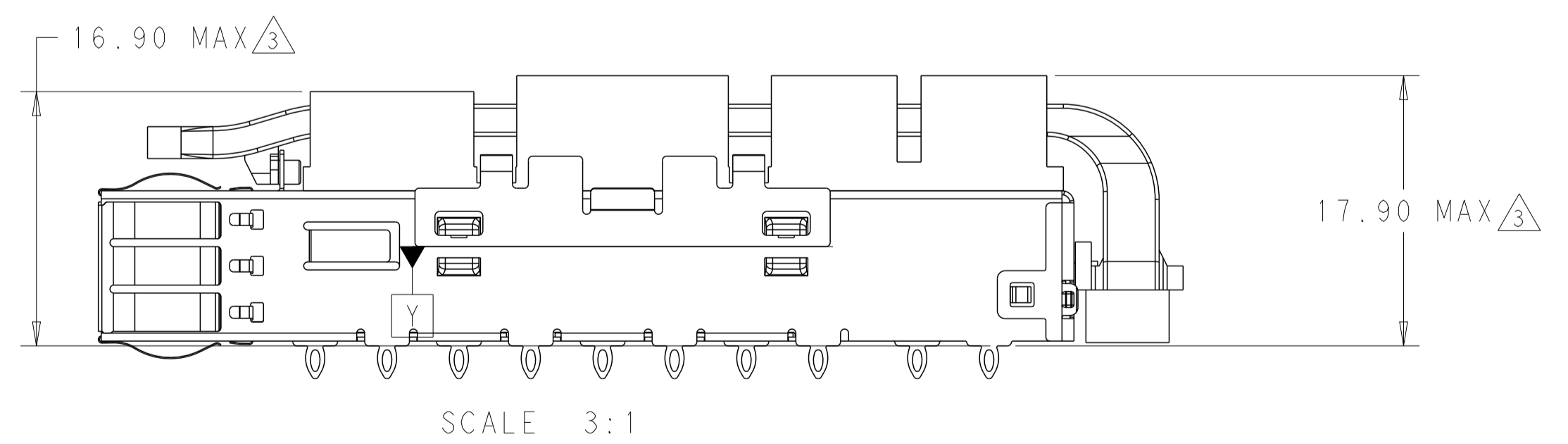
PART NO.	DIM D
3-2170705-0	23.0 MAX
3-2170705-1	18.0 MAX



1-2170705-2  
 3D VIEW AS SHOWN



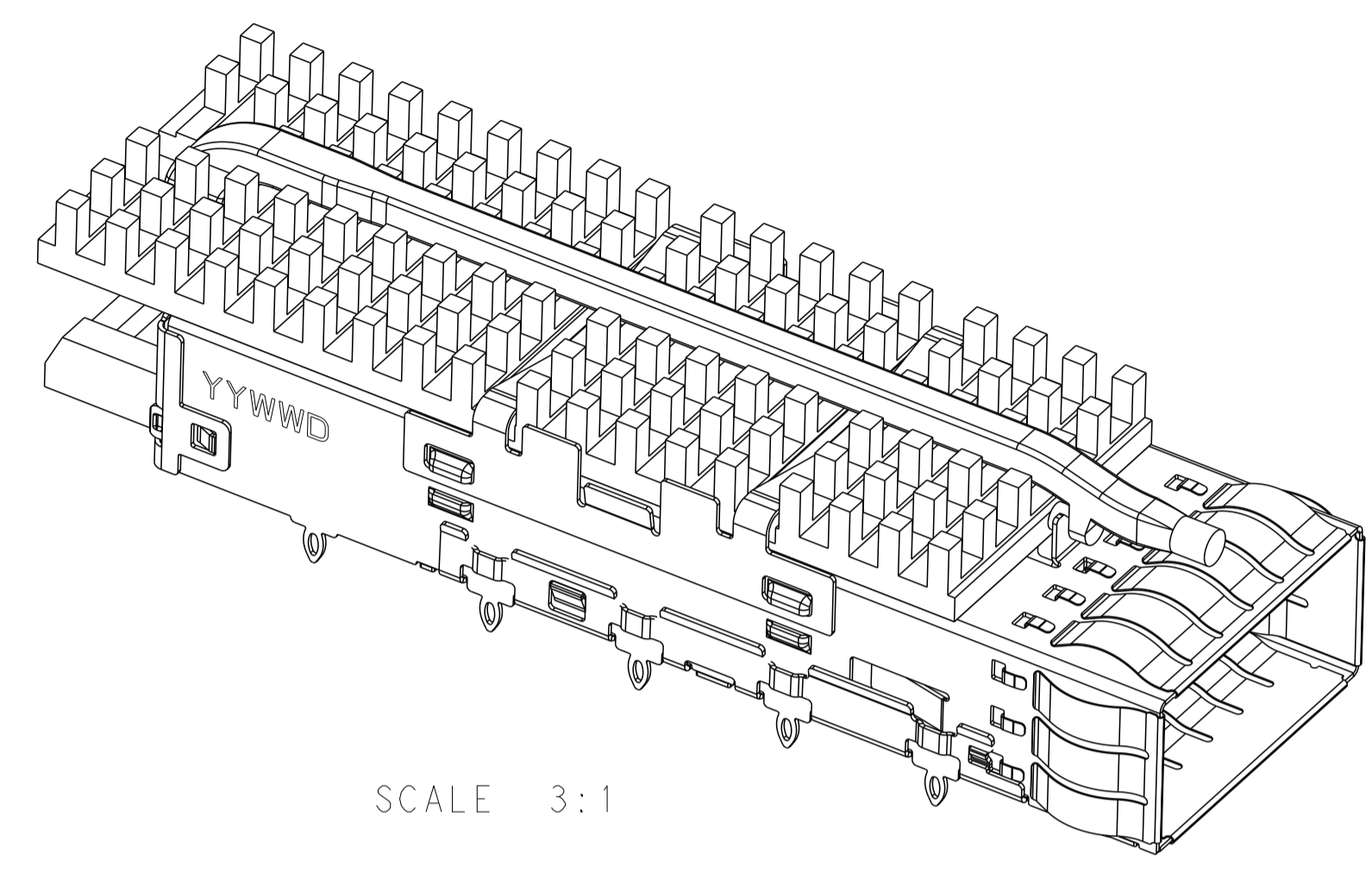
SCALE 3:1



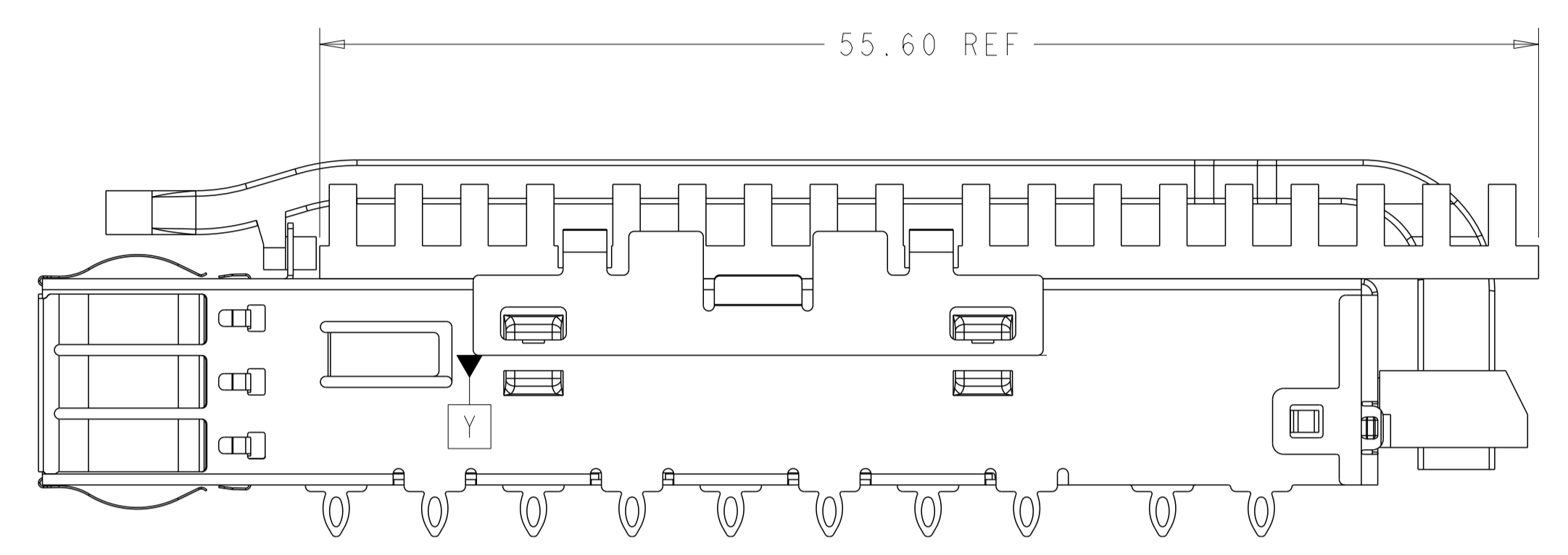
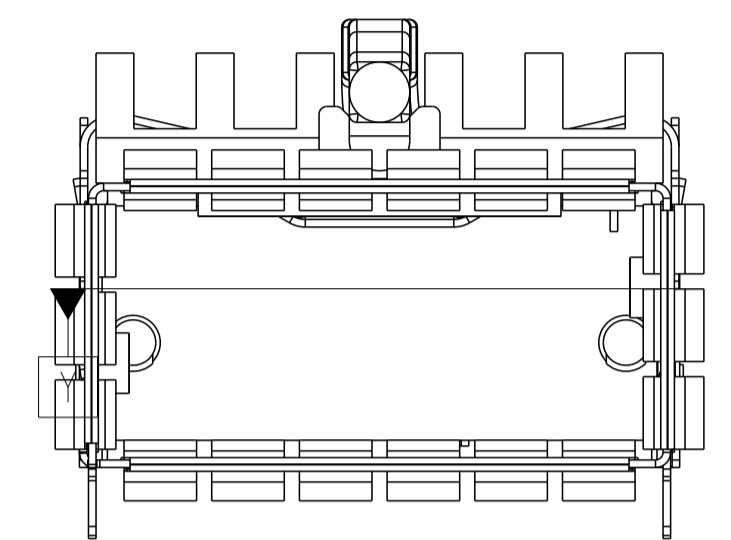
THIS DRAWING IS A CONTROLLED DOCUMENT.		DMN JASON YANG CHK SEAN HAN	07MAR2014 26JAN2016	TE Connectivity NAME CAGE ASSEMBLY, QSFP28, THRU BEZEL WITH EMI SPRING FINGER HEAT SINK, LIGHT PIPE
DIMENSIONS: mm		TOLERANCES UNLESS OTHERWISE SPECIFIED: 0 PLC ±0.25 1 PLC ±0.25 2 PLC ±0.25 3 PLC ±0.100 4 PLC ± ANGLES ±° FINISH		
MATERIAL		SIZE 114-32023 SCALE 2:1		RESTRICTED TO A100779C=2170705 SHEET 3 OF 9 REV D6

LOC		DIST		REVISIONS			
P	LTN	DATE	DMN	APVD	DESCRIPTION		
					SEE SHEET 1		

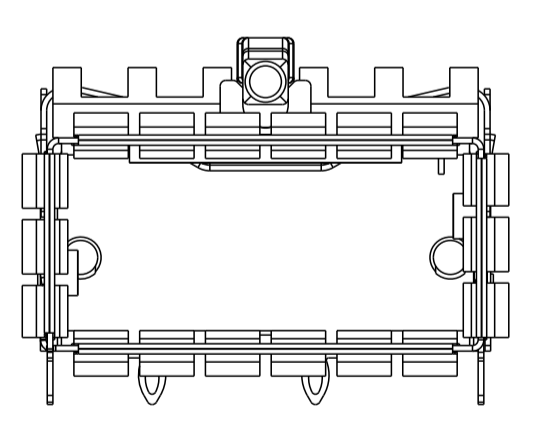
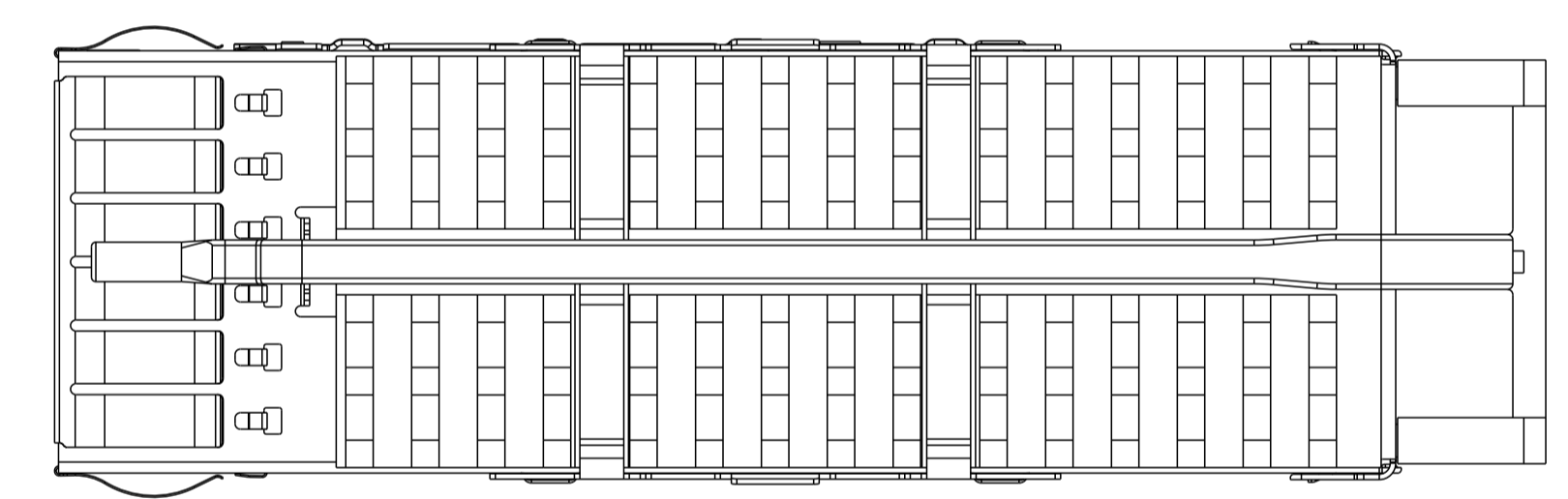
1-2170705-1  
 UNMARKED DIMENSIONS SAME AS 2170705-4



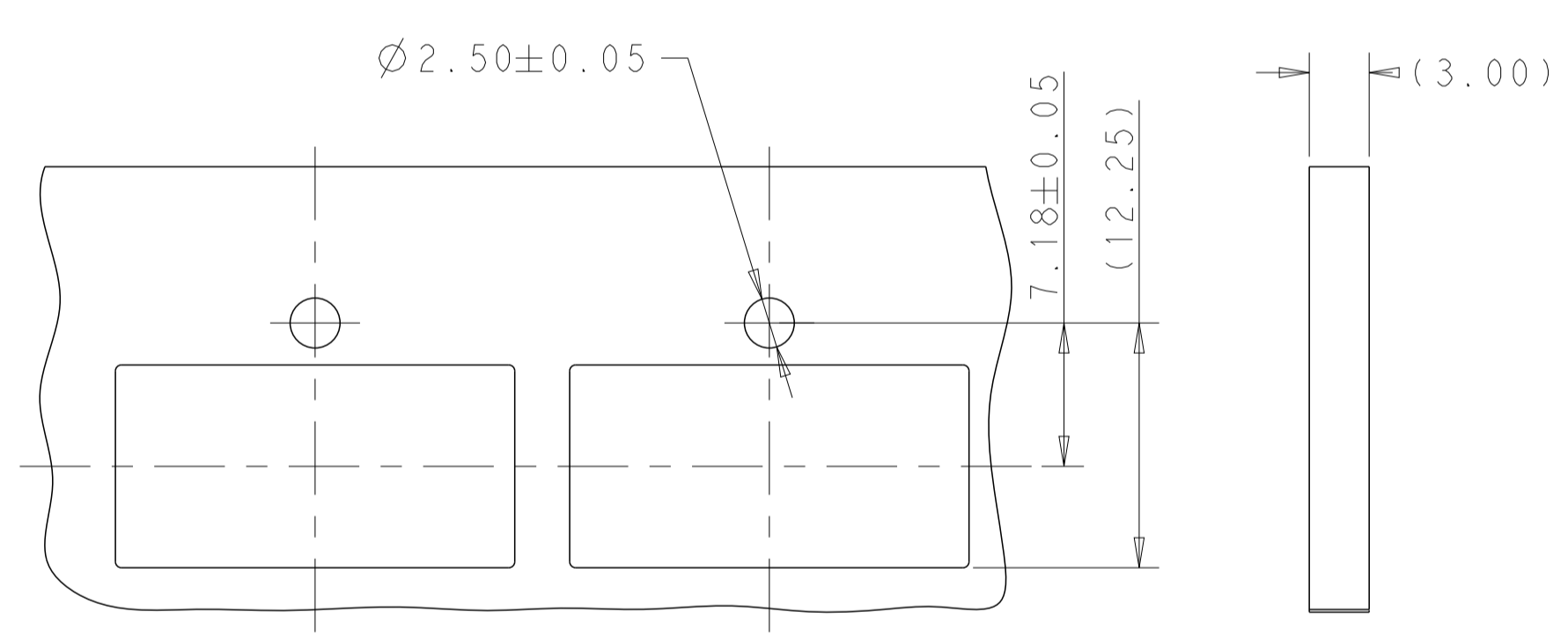
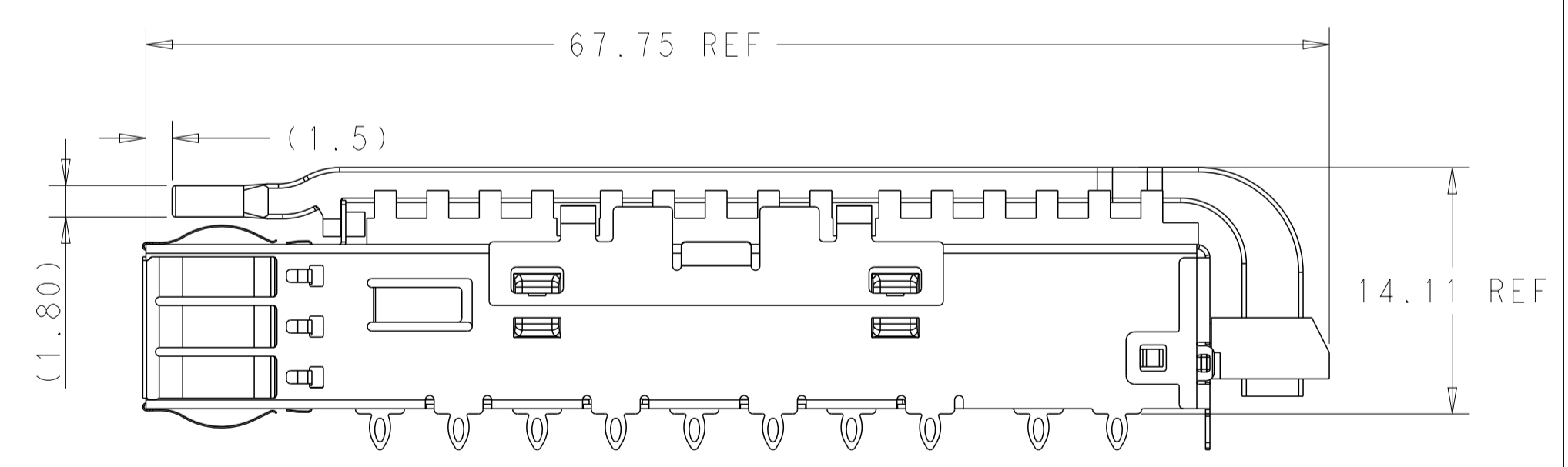
SCALE 3:1



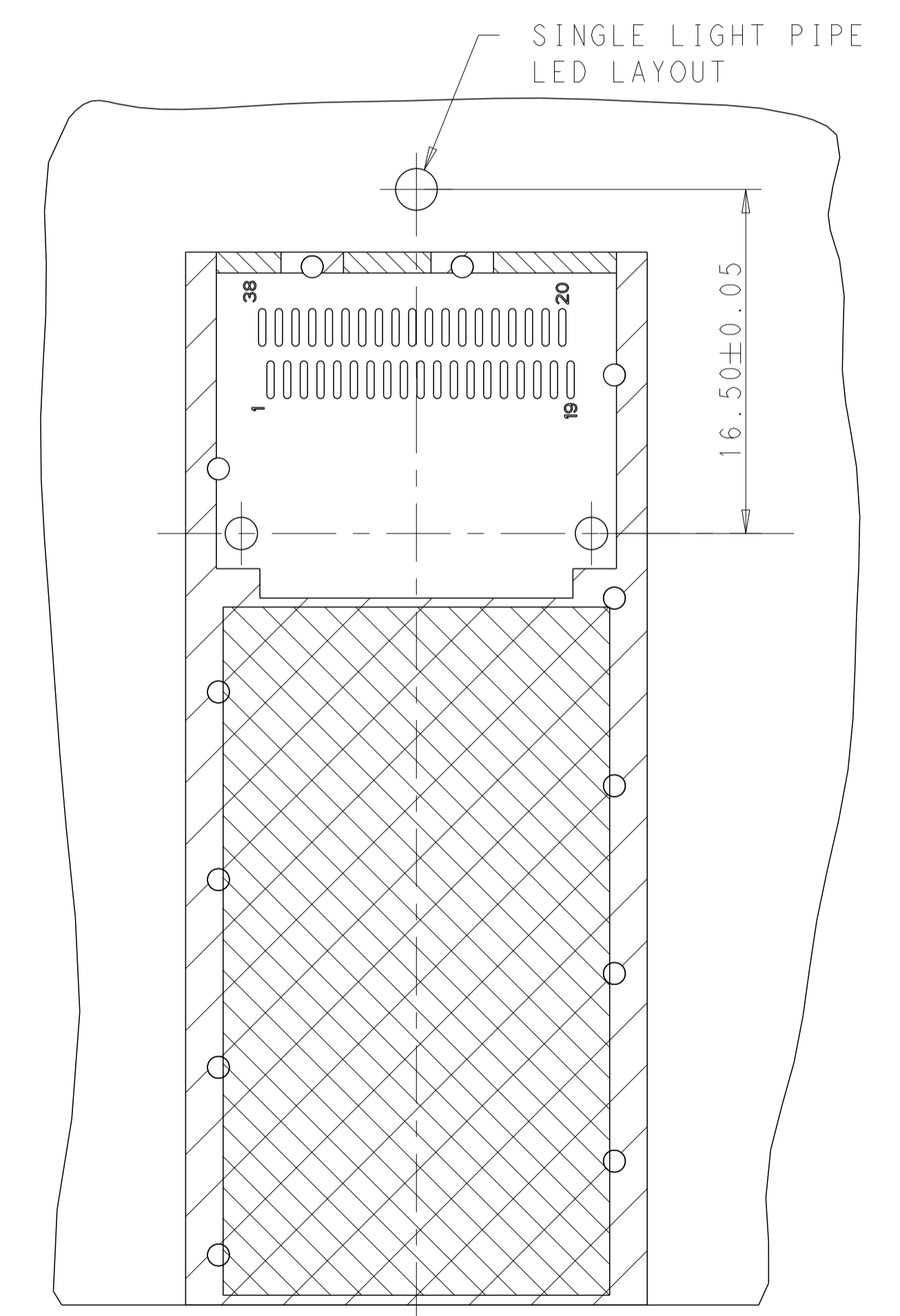
6-2170705-4  
 UNMARKED DIMENSIONS SAME AS 2170705-1



SCALE 3:1



BEZEL OF SINGLE LIGHT PIPE TYPE  
 ALL OTHER DIMENSIONS ARE THE SAME AS BEZEL SHOWN IN THE PAGE 6  
 SCALE 3:1

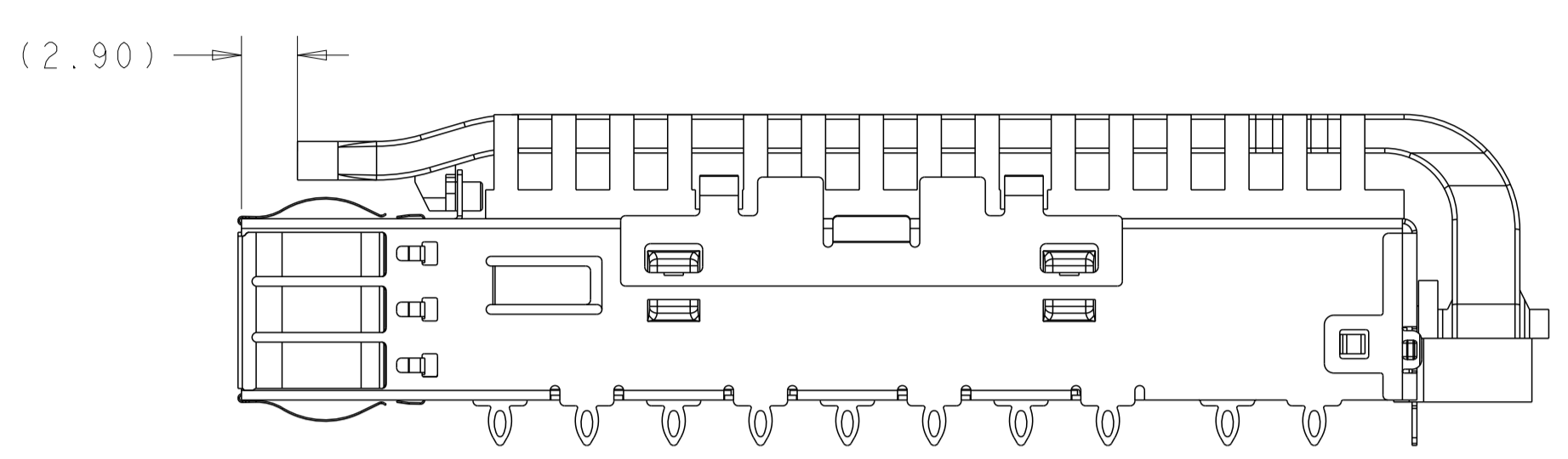


RECOMMENDED PCB LAYOUT  
 ALL OTHER DIMENSIONS ARE THE SAME AS PCB LAYOUT SHOWN IN THE LAST TWO PAGES  
 SCALE 4:1

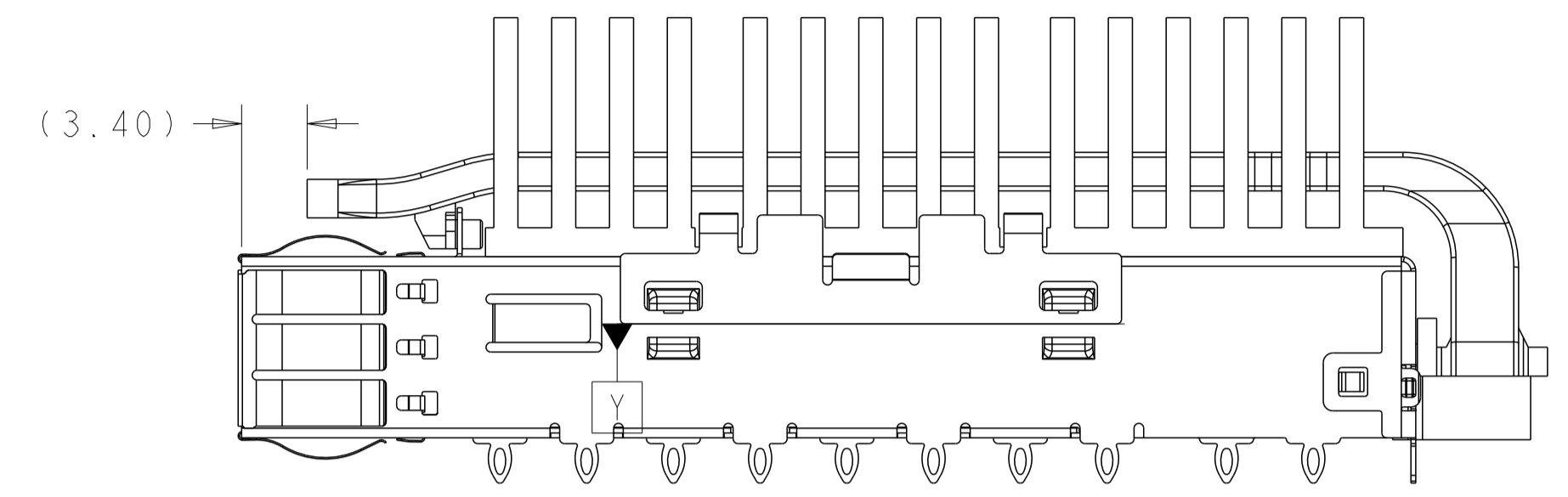
THIS DRAWING IS A CONTROLLED DOCUMENT.		DMN: JASON YANG 07MAR2014	TE Connectivity
		CHK: SEAN HAN 26JAN2016	
DIMENSIONS:	TOLERANCES UNLESS OTHERWISE SPECIFIED:	APVD:	NAME:
mm	0 PLC ±0.25	PRODUCT SPEC:	CAGE ASSEMBLY, QSFP28, THRU BEZEL
	1 PLC ±0.25	108-19428	WITH EMI SPRING FINGER
	2 PLC ±0.20	APPLICATION SPEC:	HEAT SINK, LIGHT PIPE
	3 PLC ±0.100	SIZE: CAGE CODE DRAWING NO:	RESTRICTED TO:
	4 PLC ±"	114-32023	A100779C=2170705
MATERIAL:	FINISH:	WEIGHT:	SCALE: 2:1 SHEET 4 OF 9 REV D6
CUSTOMER DRAWING			

LOC	DIST	REV	DATE	BY	APPV
-	-	1	SEE SHEET 1	-	-

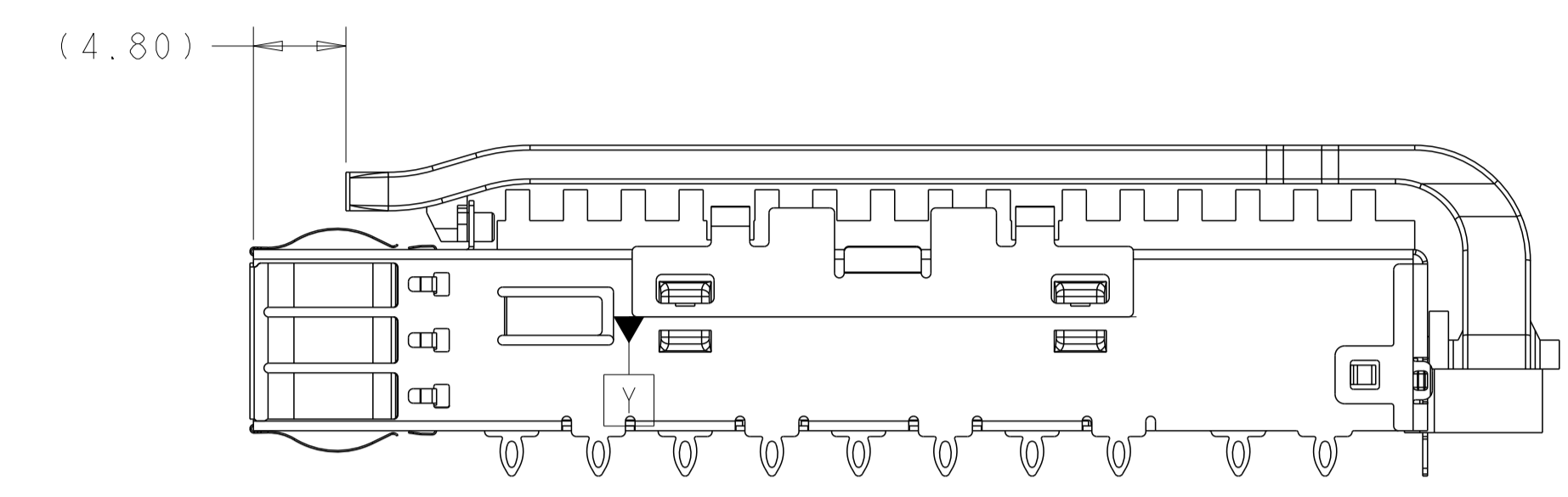
# LIGHT PIPE LENGTH OPTIONS



WITH LIGHT PIPE LENGTH B=2.9  
SCALE 3:1



WITH LIGHT PIPE LENGTH B=3.4  
SCALE 3:1



WITH LIGHT PIPE LENGTH B=4.8  
SCALE 3:1

## BOM

1.5	2	13.7	PIN	PCI	SINGLE LP	6-2170705-4
4.8	0	16.00	PIN	SAN	DUAL LP	6-2170705-3
5.2	1	16.00	PIN	SAN	DUAL LP	6-2170705-2
4.8	2	13.7	PIN	PCI	QUAD LP	6-2170705-1
3.4	1	23.0	PIN	NETWORKING	QUAD LP	5-2170705-9
	1	16.0	PIN	SAN	COATED QUAD LP	5-2170705-8
	1	13.7	PIN	PCI	COATED QUAD LP	5-2170705-7
	0	31.6	PIN	CUSTOMIZED	QUAD LP	5-2170705-1
	1	23.0	PIN	NETWORKING	QUAD LP	4-2170705-9
	1	16.0	PIN	SAN	QUAD LP	4-2170705-8
	1	13.7	PIN	PCI	QUAD LP	4-2170705-7
	0	23.0	PIN	NETWORKING	QUAD LP	4-2170705-6
	0	16.0	PIN	SAN	QUAD LP	4-2170705-5
	0	13.7	PIN	PCI	QUAD LP	4-2170705-4
	2	23.0	PIN	NETWORKING	QUAD LP	4-2170705-3
	2	16.0	PIN	SAN	QUAD LP	4-2170705-2
	2	13.7	PIN	PCI	QUAD LP	4-2170705-1
	0	17.9	FIN	NETWORKING	QUAD LP	1-2170705-2
	0	18.00	FIN	CUSTOMIZED	DUAL LP	3-2170705-1
	0	23.0	FIN	NETWORKING	DUAL LP	3-2170705-0
	1	23.0	PIN	NETWORKING	DUAL LP	2-2170705-9
	1	16.0	PIN	SAN	DUAL LP	2-2170705-8
	1	13.7	PIN	PCI	DUAL LP	2-2170705-7
	0	23.0	PIN	NETWORKING	DUAL LP	2-2170705-6
	0	16.0	PIN	SAN	DUAL LP	2-2170705-5
	0	13.7	PIN	PCI	DUAL LP	2-2170705-4
	2	23.0	PIN	NETWORKING	DUAL LP	2-2170705-3
	2	16.0	PIN	SAN	DUAL LP	2-2170705-2
	2	13.7	PIN	PCI	DUAL LP	2-2170705-1
	0	13.7	PIN	PCI	SINGLE LP	1-2170705-1
	1	23.0	PIN	NETWORKING	SINGLE LP(COATED)	1-2170705-0
	1	23.0	PIN	NETWORKING	SINGLE LP	2170705-9
	1	16.0	PIN	SAN	SINGLE LP	2170705-8
	1	13.7	PIN	PCI	SINGLE LP	2170705-7
	0	23.0	PIN	NETWORKING	SINGLE LP	2170705-6
	0	16.0	PIN	SAN	SINGLE LP	2170705-5
	0	13.7	PIN	PCI	SINGLE LP	2170705-4
	2	23.0	PIN	NETWORKING	SINGLE LP	2170705-3
	2	16.0	PIN	SAN	SINGLE LP	2170705-2
	2	13.7	PIN	PCI	SINGLE LP	2170705-1
DIM B	# REAR PINS	DIM A	HEAT SINK TYPE	APPLICATION (HEAT SINK OPTION)	LIGHT PIPE OPTION	PART NUMBER

THIS DRAWING IS A CONTROLLED DOCUMENT. DWG: JASON YANG 07MAR2014  
CHK: SEAN HAN 26JAN2016

**STE** TE Connectivity

NAME: CAGE ASSEMBLY, QSPF28, THRU BEZEL WITH EMI SPRING FINGER HEAT SINK, LIGHT PIPE

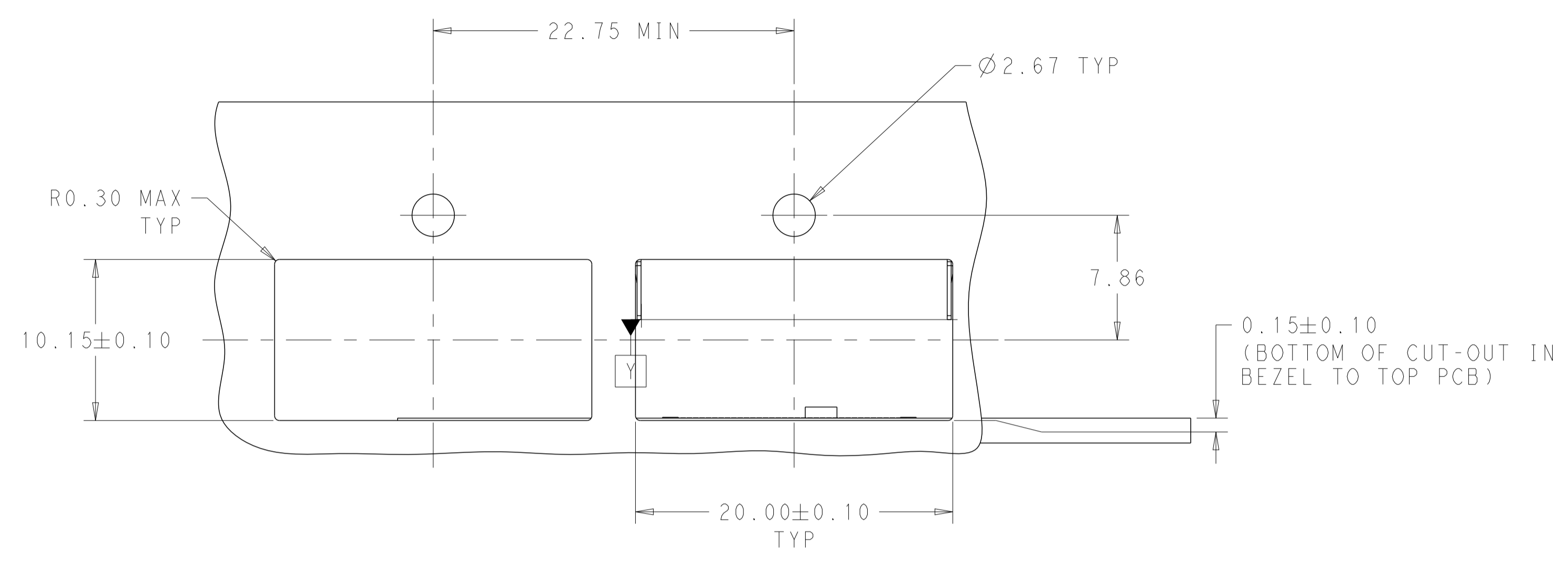
PRODUCT SPEC: 108-19428  
APPLICATION SPEC: 114-32023

SIZE: A1 CAGE CODE: 100779 DRAWING NO: 2170705

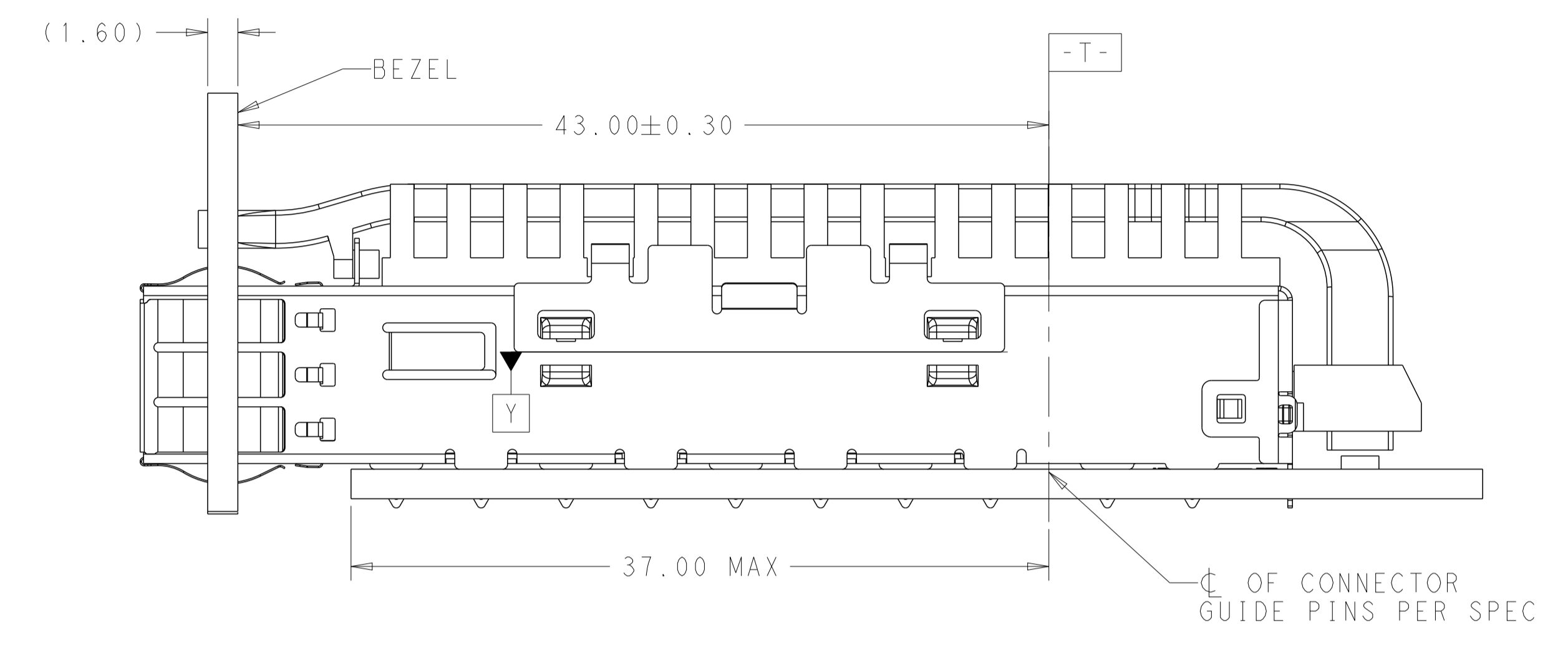
RESTRICTED TO: -

CUSTOMER DRAWING SCALE: 2:1 SHEET: 5 OF 9 REV: D6

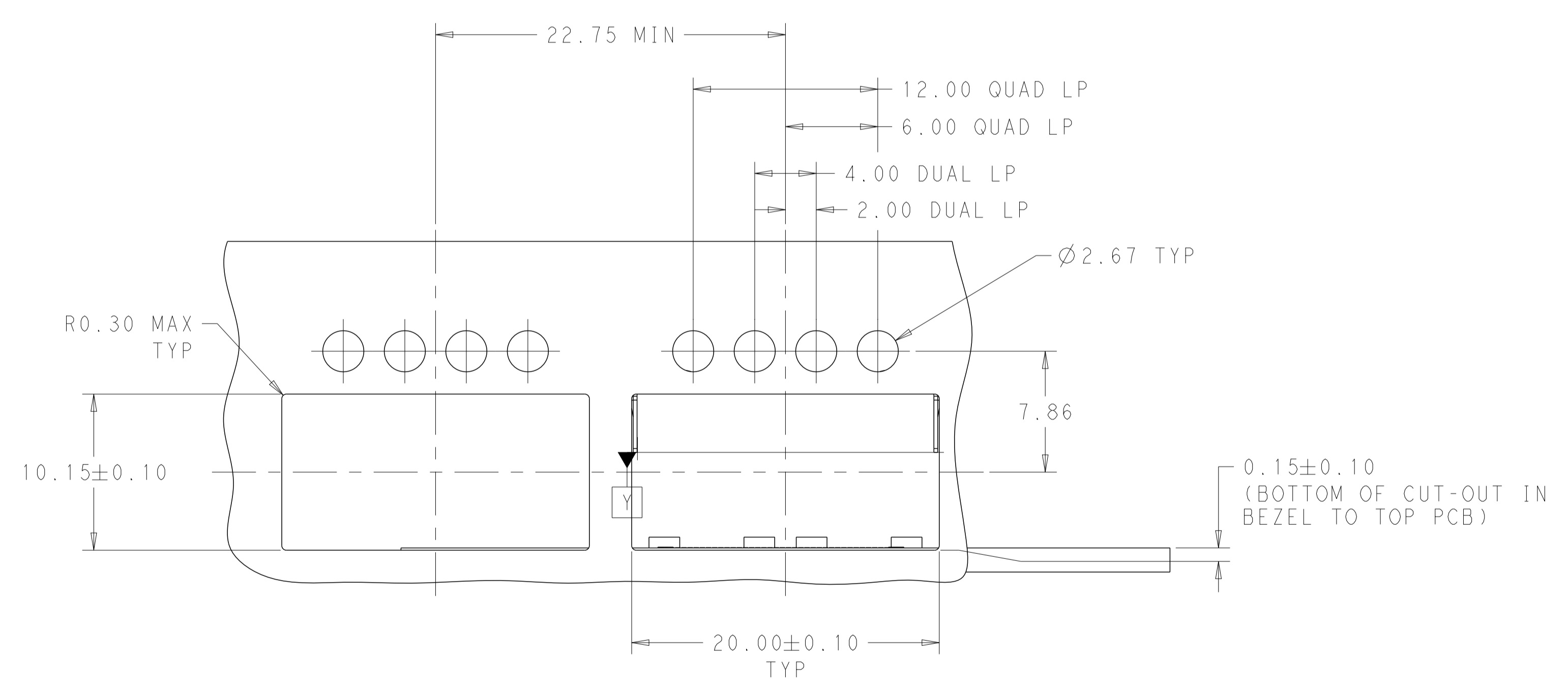
LOC	DIST	REV	DATE	BY	APPV
-	-	1	SEE SHEET 1	-	-



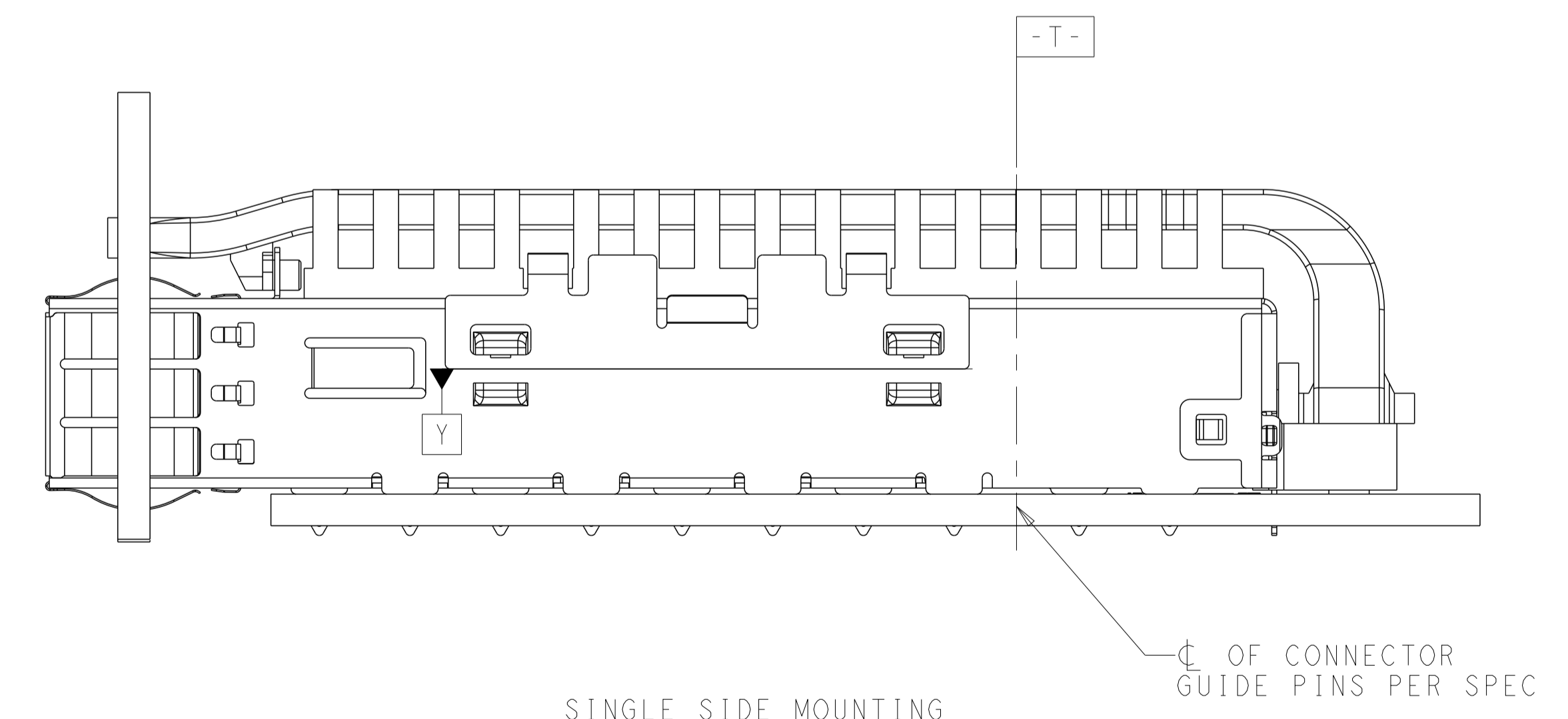
SINGLE LIGHT PIPE TYPE



SINGLE SIDE MOUNTING  
SCALE 4:1



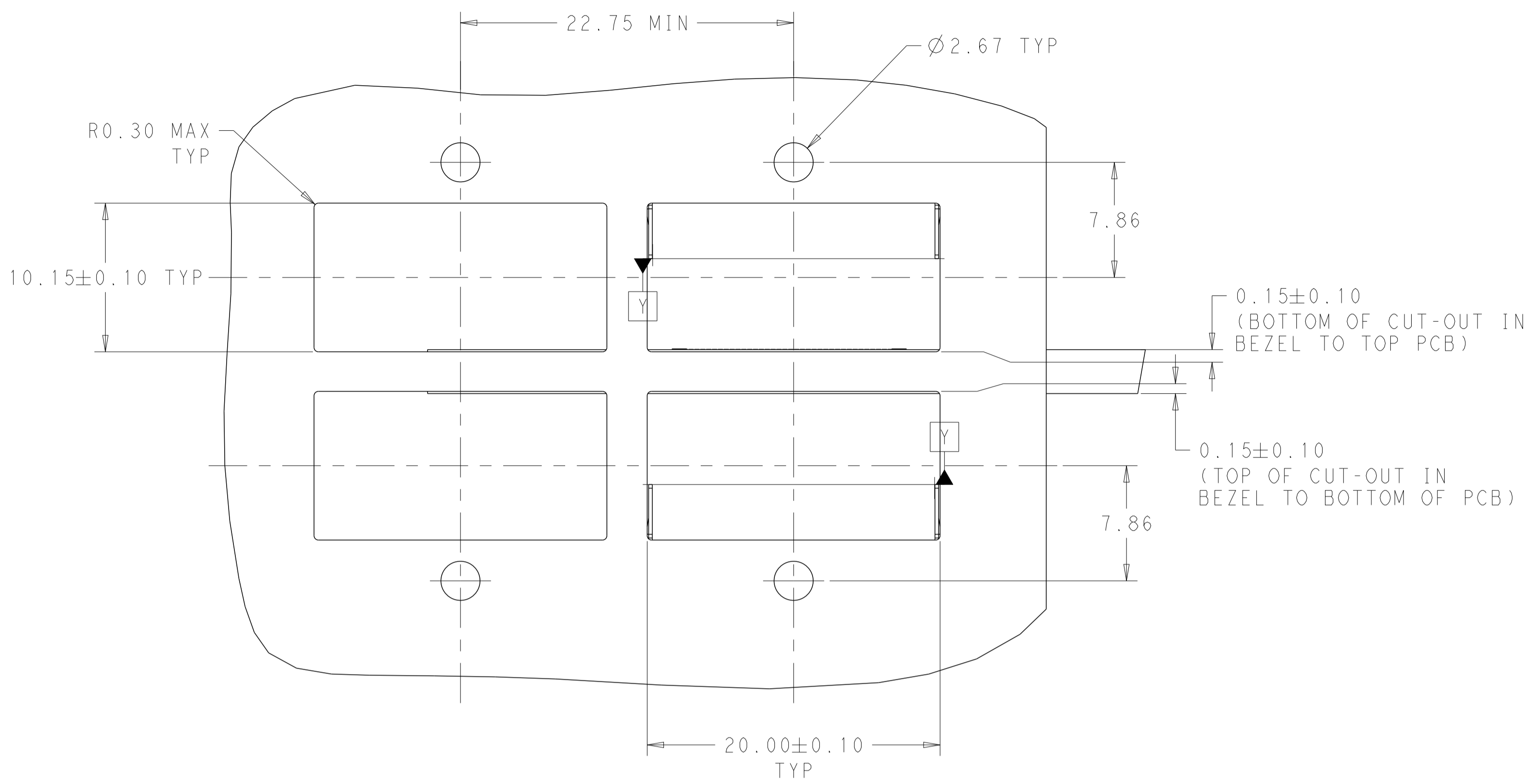
DUAL/QUAD LIGHT PIPE TYPE



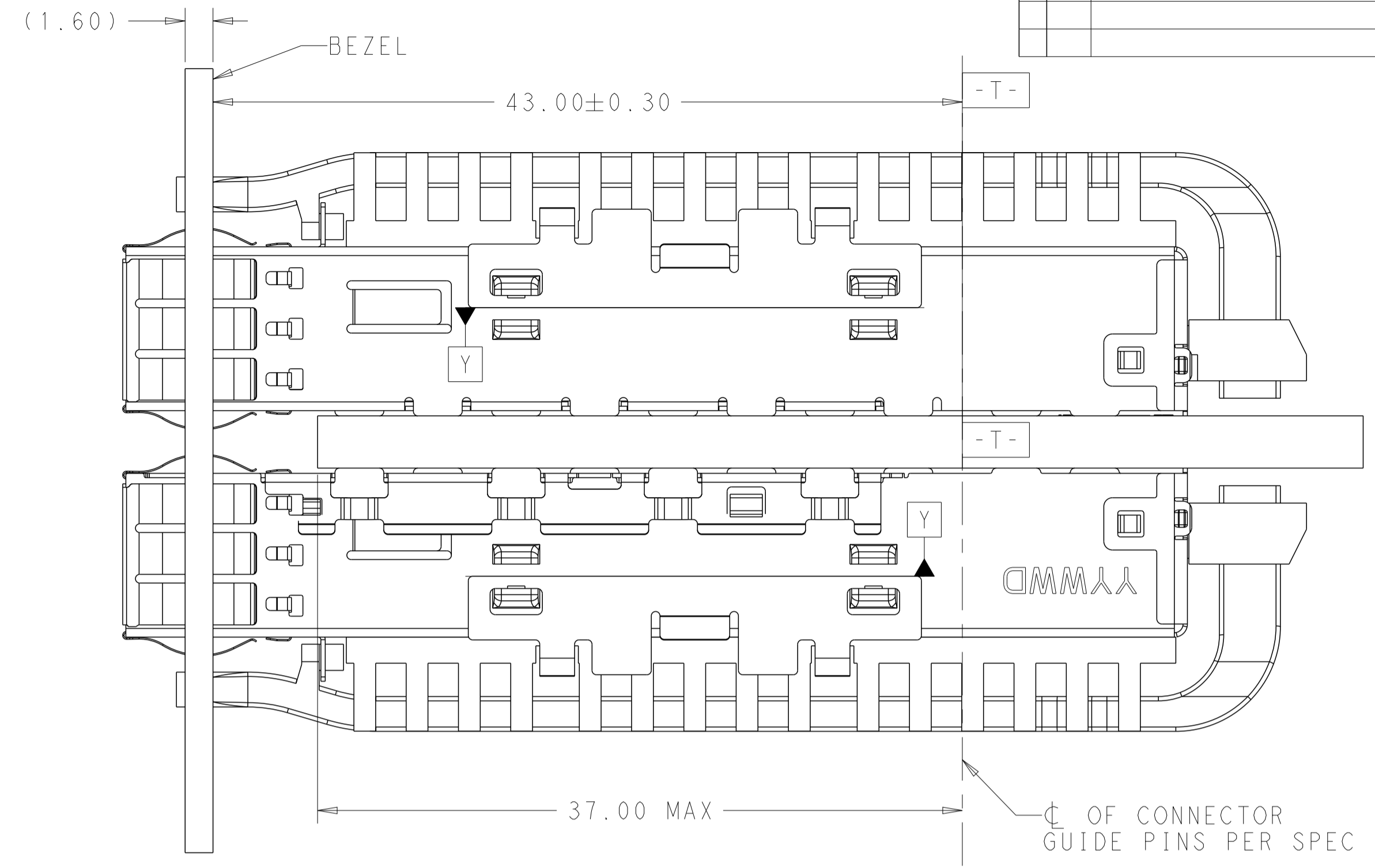
SINGLE SIDE MOUNTING  
SCALE 4:1

THIS DRAWING IS A CONTROLLED DOCUMENT.		OWN: JASON YANG 07MAR2014	TE Connectivity
DIMENSIONS: mm		CHK: SEAN HAN 26JAN2016	
TOLERANCES UNLESS OTHERWISE SPECIFIED:		APVD:	NAME: CAGE ASSEMBLY, QSPF28, THRU BEZEL WITH EMI SPRING FINGER HEAT SINK, LIGHT PIPE
0 PLC ±0.25	1 PLC ±0.25	PRODUCT SPEC: 108-19428	SIZE: A1
2 PLC ±0.25	3 PLC ±0.100	APPLICATION SPEC: 114-32023	CAGE CODE: 00779
4 PLC ±	ANGLES ±	WEIGHT: -	DRAWING NO: C=2170705
MATERIAL: -	FINISH: -	CUSTOMER DRAWING	SCALE: 2:1 SHEET: 6 OF 9 REV: D6

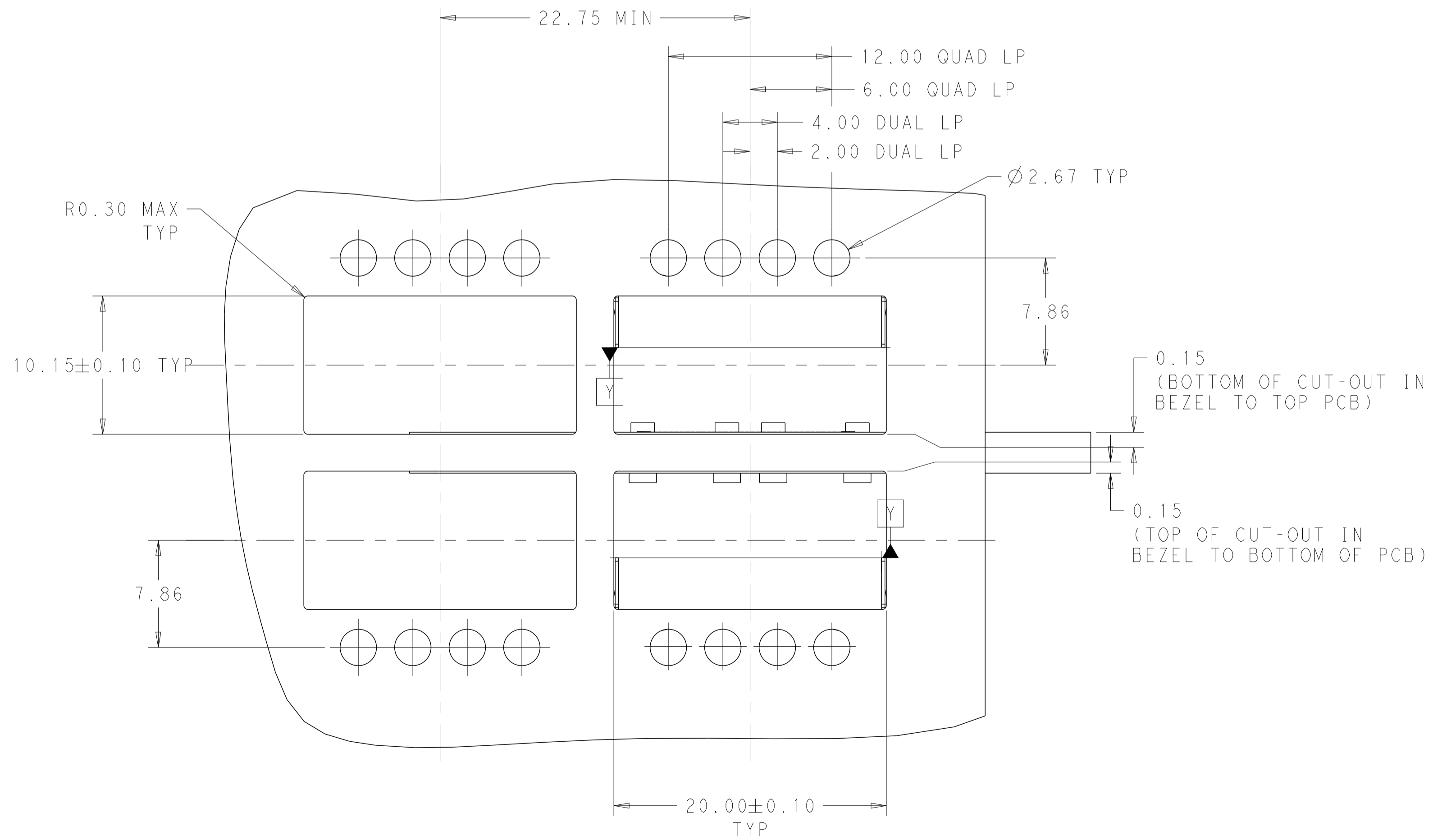
LOC		DIST		REVISIONS		
P	LTN	DESCRIPTION	DATE	DMN	APVD	
-	-	SEE SHEET 1	-	-	-	-



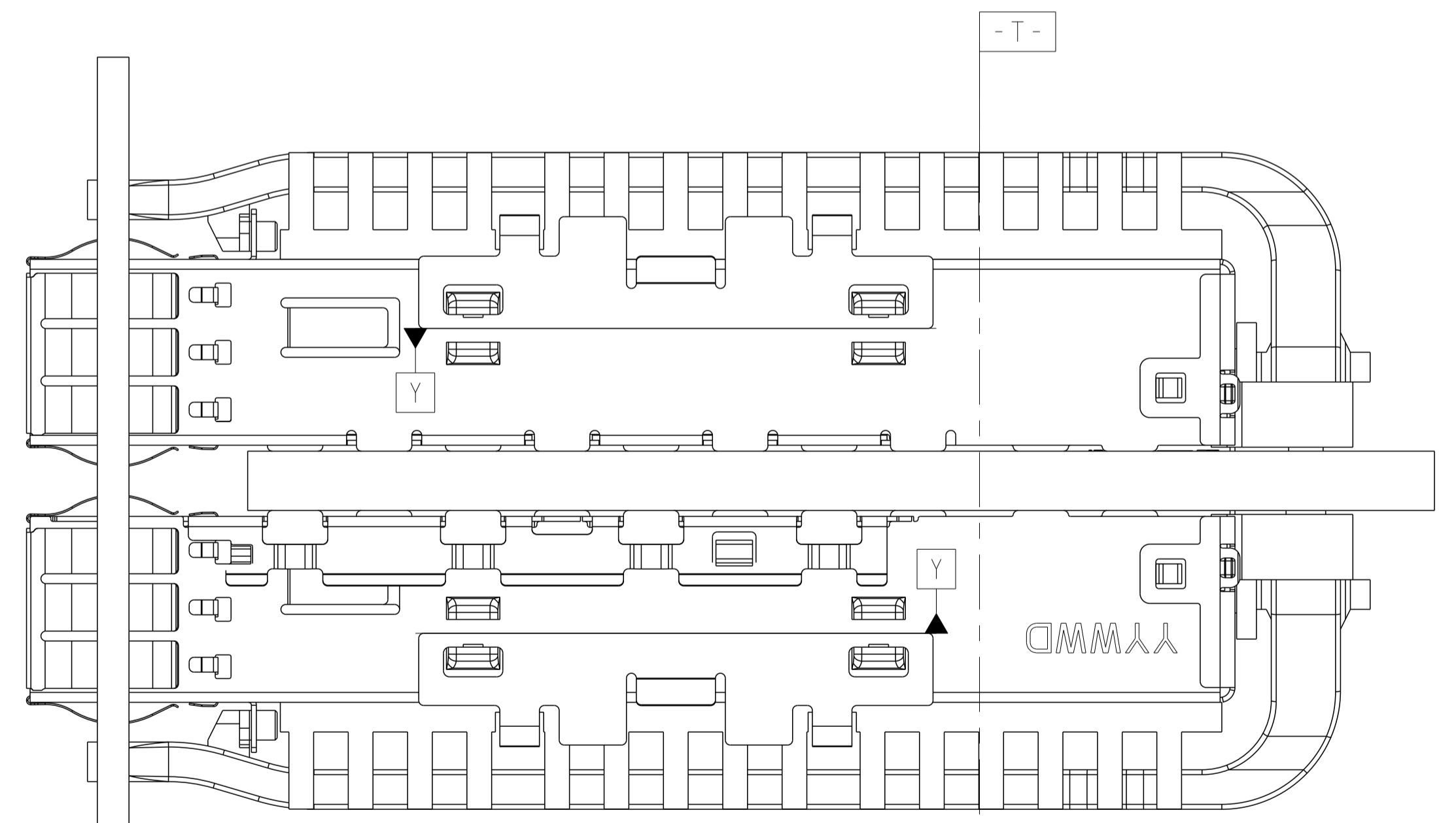
SINGLE LIGHT PIPE TYPE



BELLY TO BELLY MOUNTING SCALE 4:1



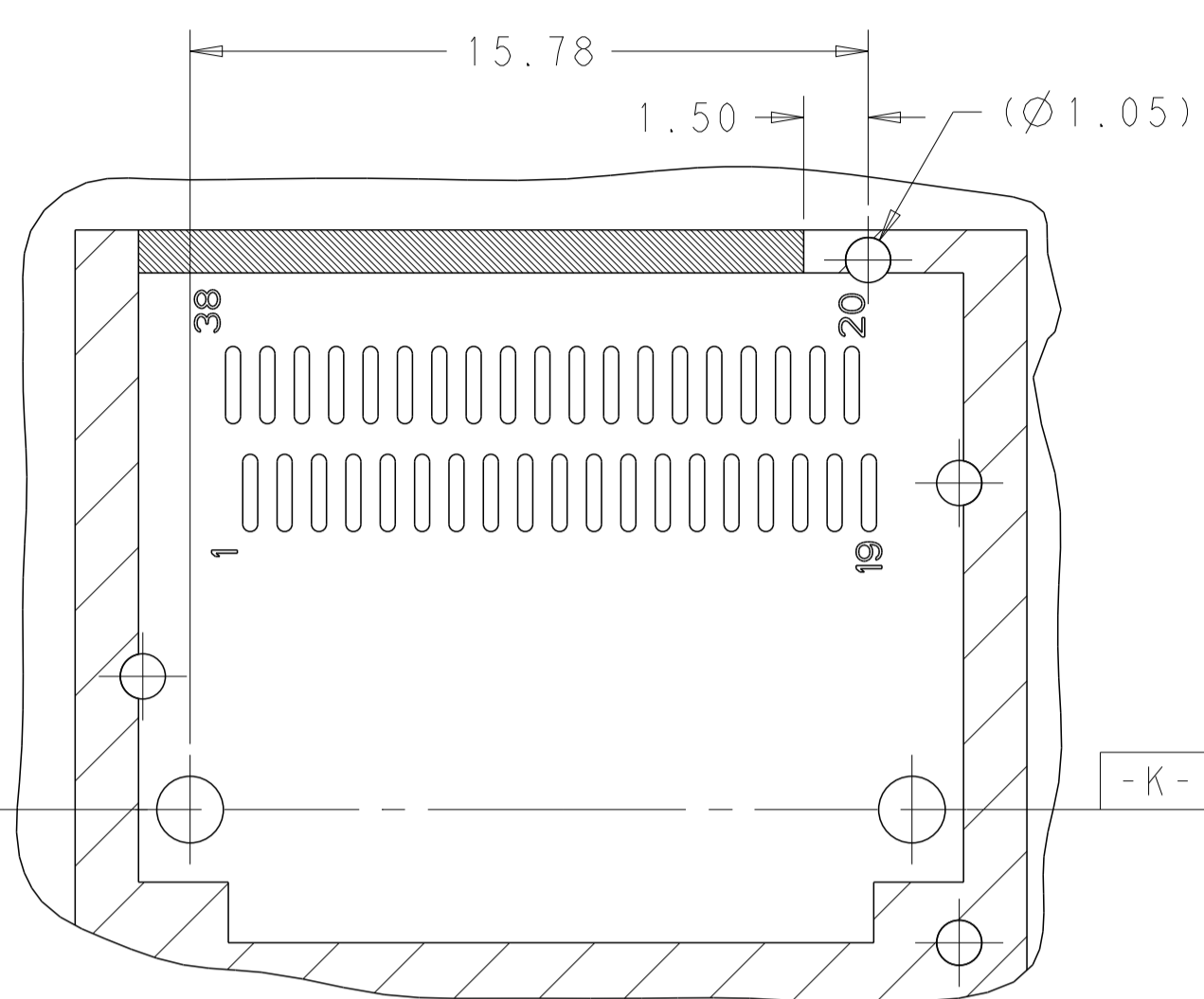
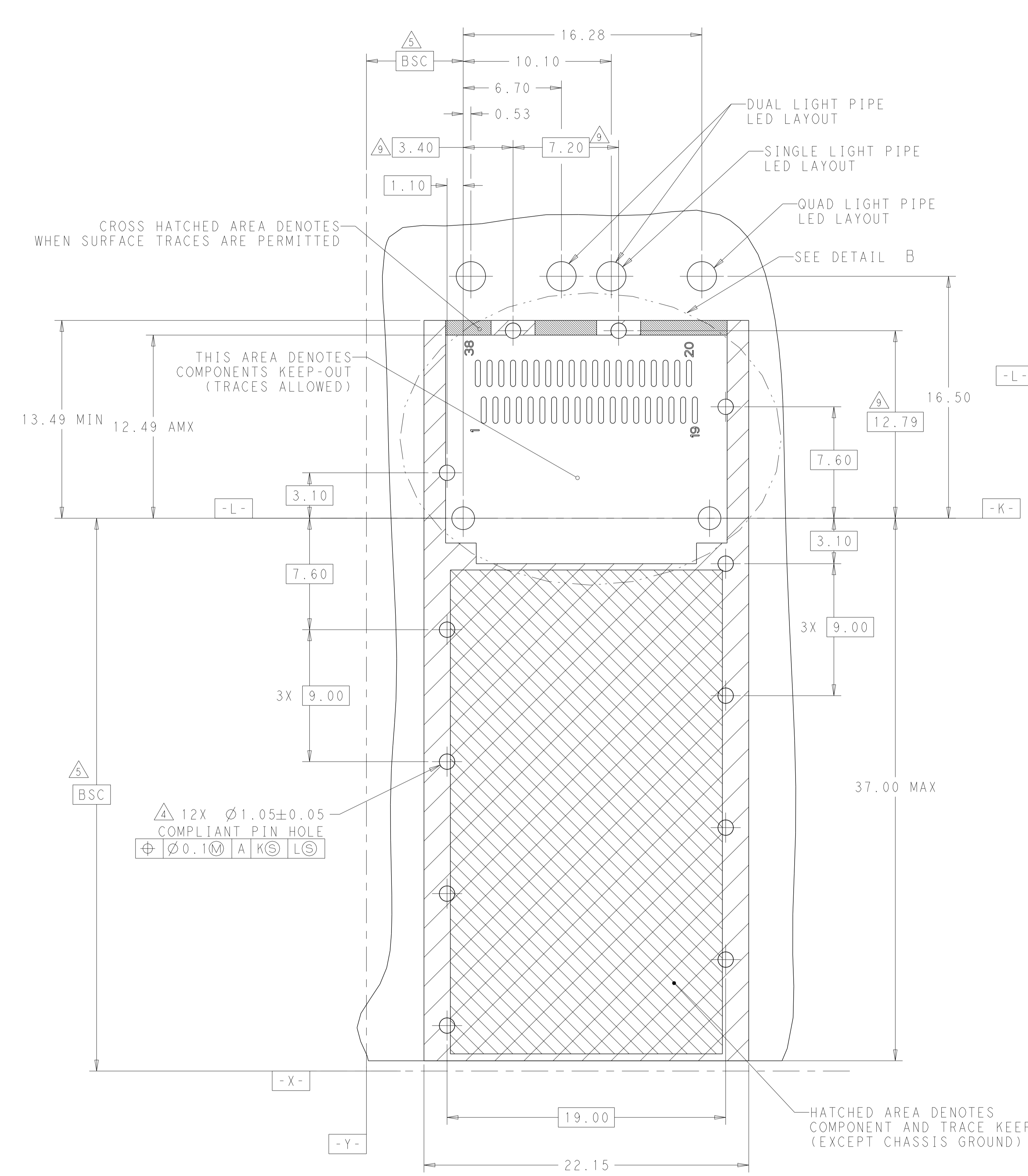
DUAL/QUAD LIGHT PIPE TYPE



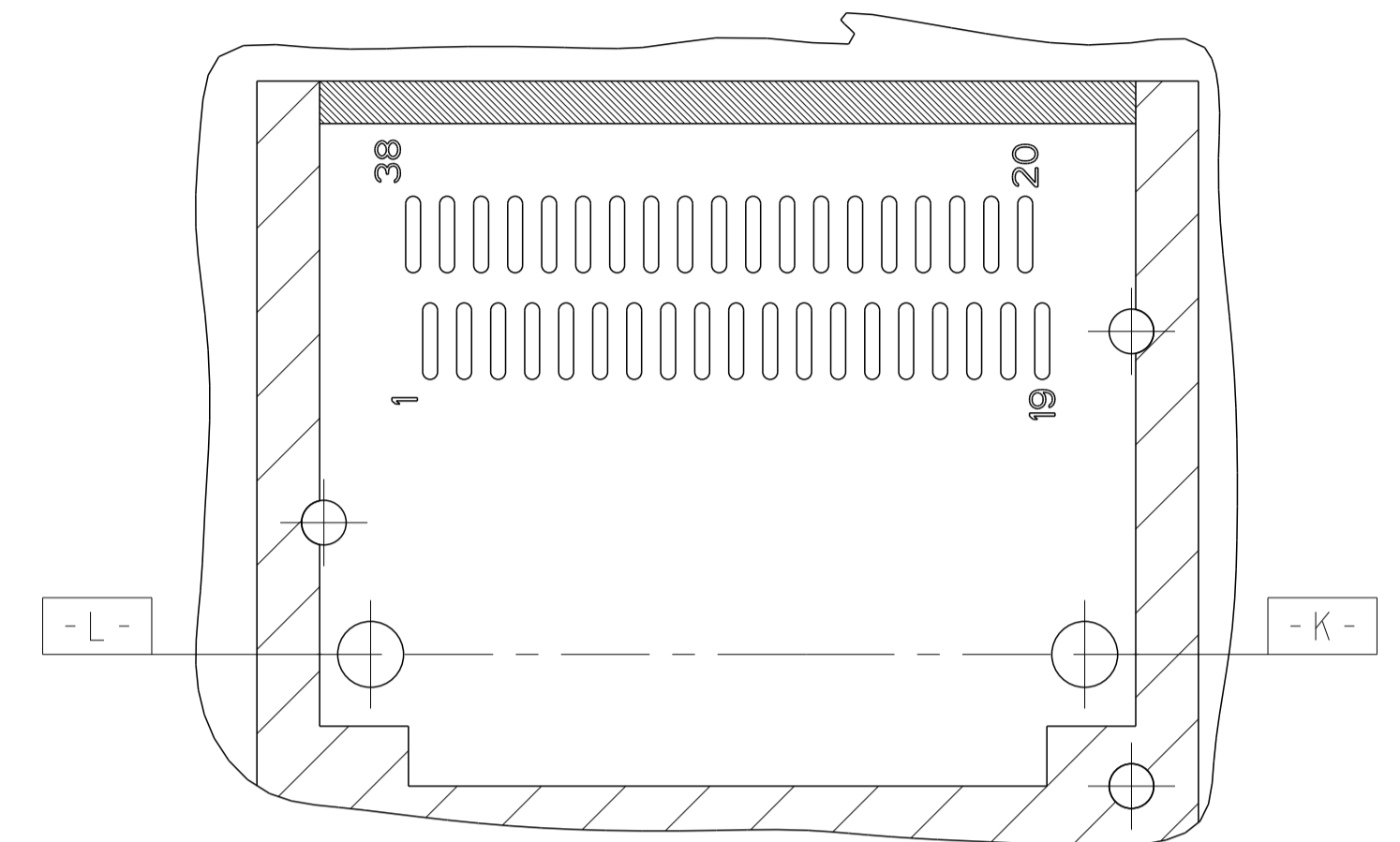
BELLY TO BELLY MOUNTING SCALE 4:1

THIS DRAWING IS A CONTROLLED DOCUMENT.		DMN: JASON YANG 07MAR2014	 TE Connectivity
DIMENSIONS: mm		CHK: SEAN HAN 26JAN2016	
TOLERANCES UNLESS OTHERWISE SPECIFIED:		APVD:	NAME: CAGE ASSEMBLY, QSPF28, THRU BEZEL WITH EMI SPRING FINGER HEAT SINK, LIGHT PIPE
0 PLC	±0.25	PRODUCT SPEC	108-19428
1 PLC	±0.25	APPLICATION SPEC	114-32023
2 PLC	±0.20	SIZE	A1
3 PLC	±0.20	CAGE CODE	00779
4 PLC	±0.100	DRAWING NO	2170705
ANGLES	±°	RESTRICTED TO	
MATERIAL		WEIGHT	
FINISH		CUSTOMER DRAWING	
		SCALE	2:1
		SHEET	7 of 9
		REV	D6

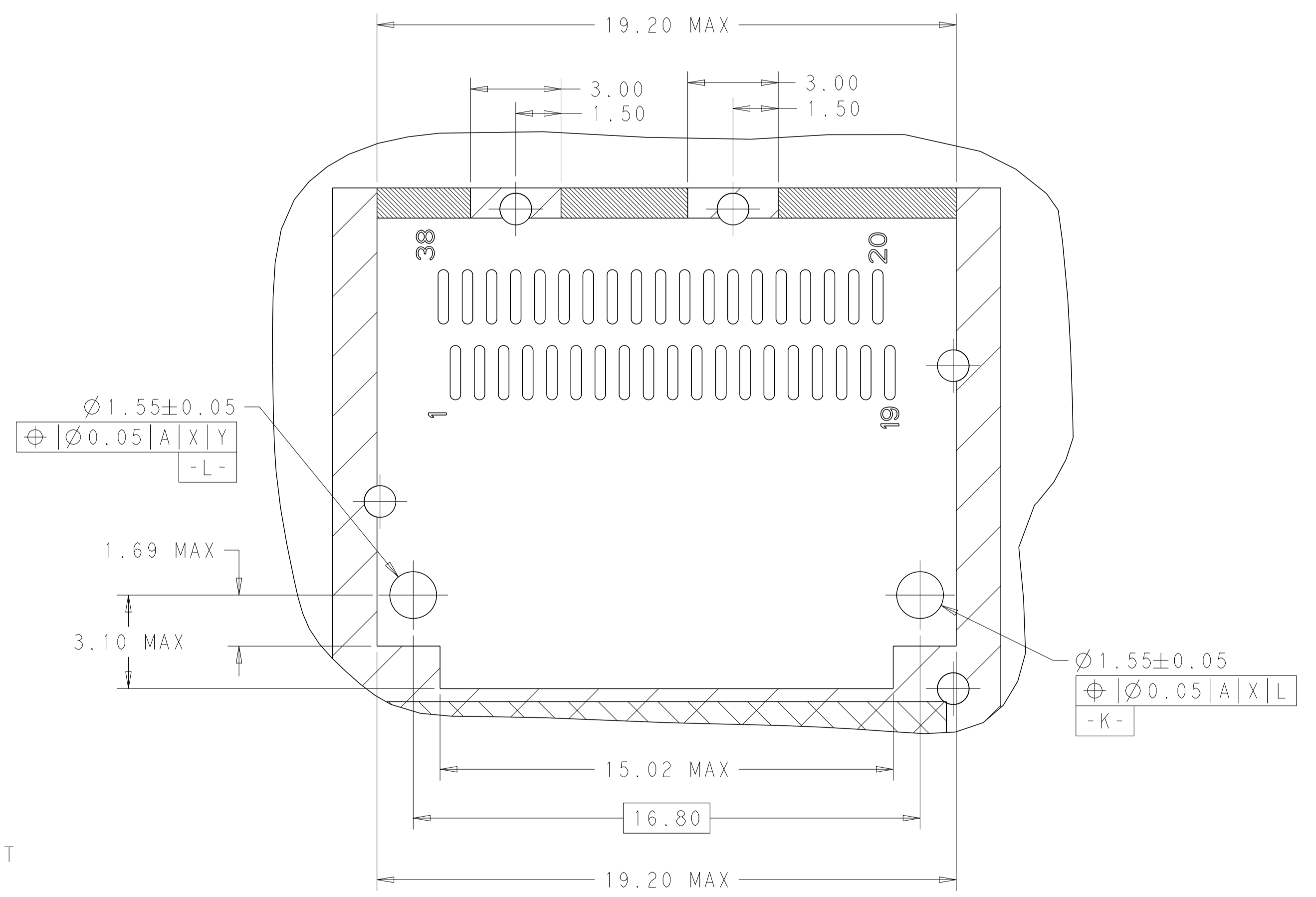
LOC	DIST	REV	DATE	BY	APPV
-	-	1	26 JAN 2016	SEAN HAN	



RECOMMENDED PCB LAYOUT  
SINGLE TYPE OF 1 REAR HOLES OF LEGS  
PCB TOLERANCE: ±0.05  
SCALE 6:1



RECOMMENDED PCB LAYOUT  
SINGLE TYPE OF 0 REAR HOLES OF LEGS  
PCB TOLERANCE: ±0.05  
SCALE 6:1



DETAIL B  
SCALE 8:1

RECOMMENDED PCB LAYOUT  
SINGLE TYPE OF 2 REAR HOLES OF LEGS  
PCB TOLERANCE: ±0.05  
SCALE 6:1

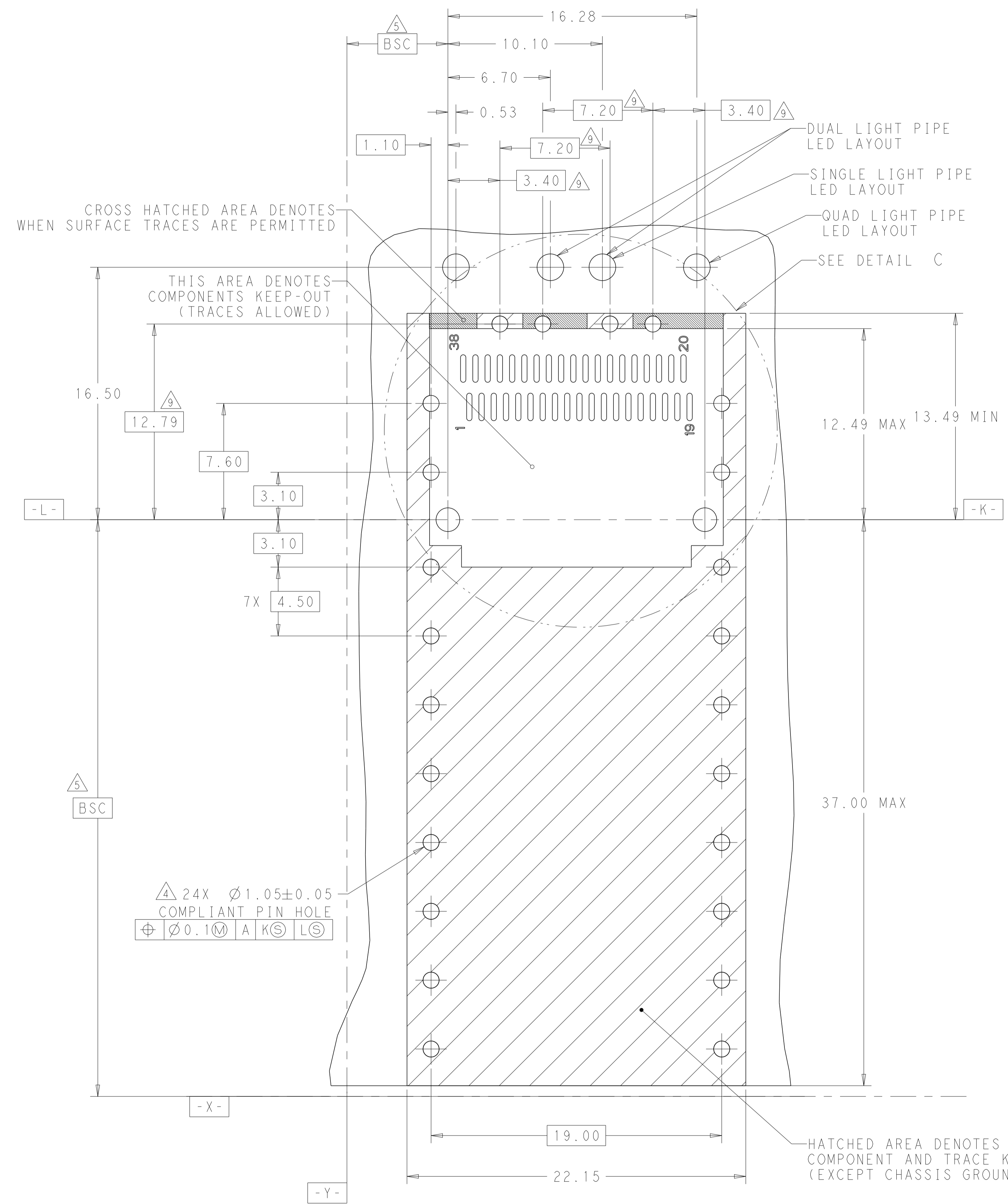
12X Ø1.05±0.05  
COMPLIANT PIN HOLE  
Ø0.1 | M | A | K | S | L | S

HATCHED AREA DENOTES  
COMPONENT AND TRACE KEEP-OUT  
(EXCEPT CHASSIS GROUND)

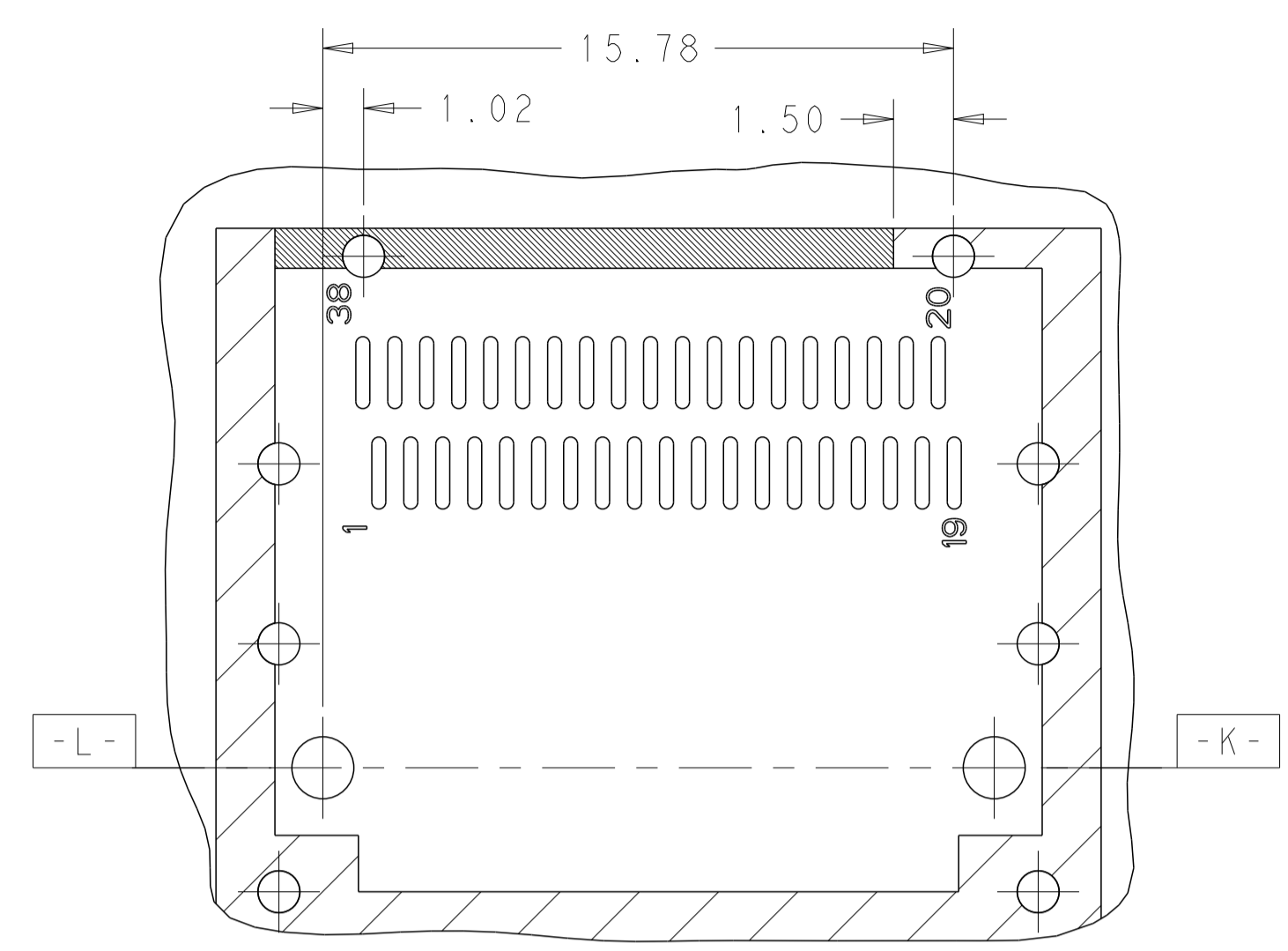
THIS DRAWING IS A CONTROLLED DOCUMENT.		OWN: JASON YANG 07MAR2014	TE Connectivity
DIMENSIONS: mm		CHK: SEAN HAN 26JAN2016	
TOLERANCES UNLESS OTHERWISE SPECIFIED:		APVD:	NAME: CAGE ASSEMBLY, QSFP28, THRU BEZEL WITH EMI SPRING FINGER HEAT SINK, LIGHT PIPE
0 PLC ±0.25	1 PLC ±0.25	PRODUCT SPEC: 108-19428	SIZE: A1
2 PLC ±0.20	3 PLC ±0.100	APPLICATION SPEC: 114-32023	CAGE CODE: 2170705
4 PLC ±0.100	ANGLES ±°	WEIGHT:	RESTRICTED TO: -
MATERIAL:	FINISH:	CUSTOMER DRAWING	SCALE: 2:1 SHEET 8 OF 9 REV: D6



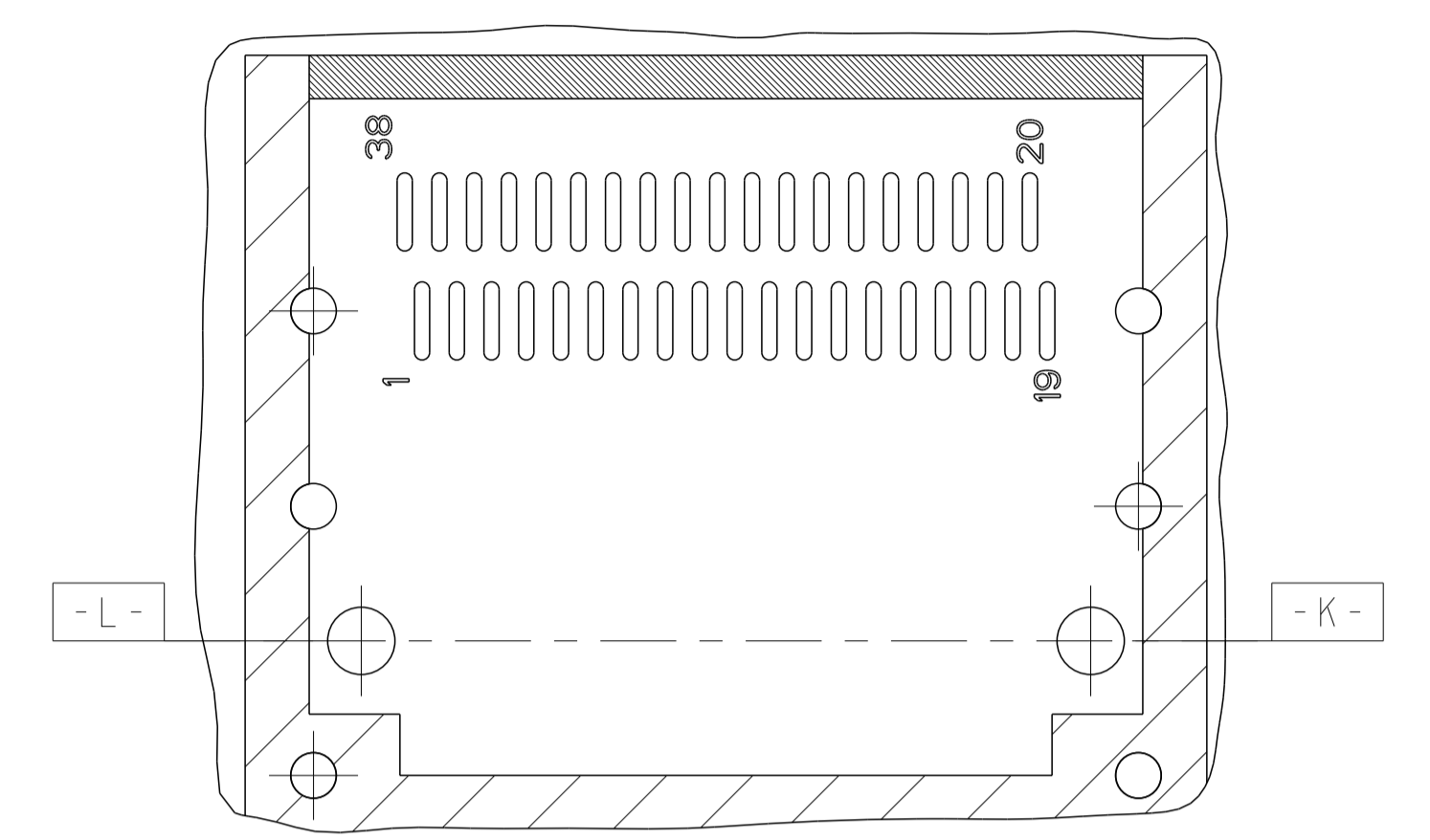
LOC	DIST	REV	DATE	BY	APPV
-	-	1	SEE SHEET 1	-	-



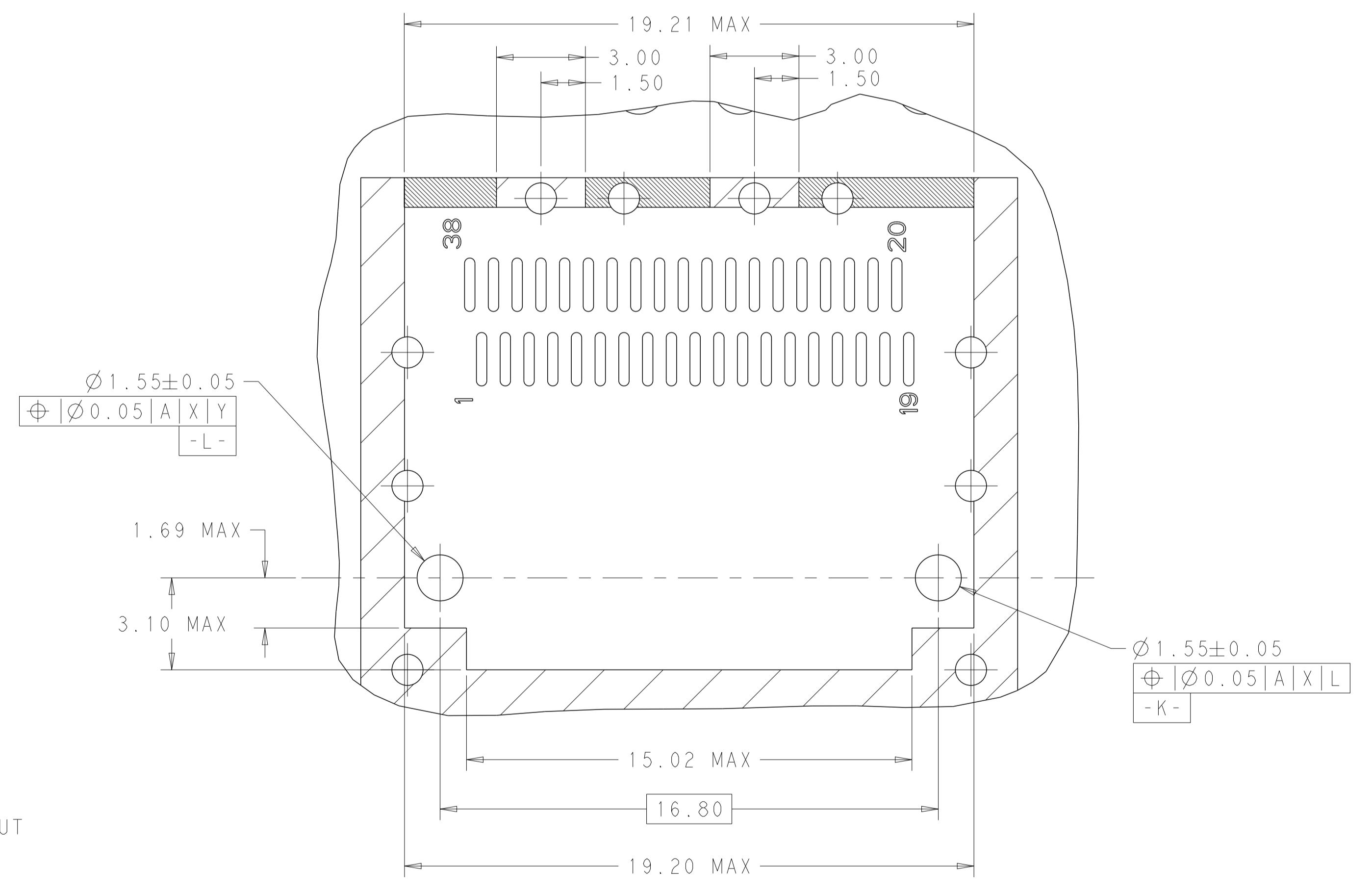
RECOMMENDED PCB LAYOUT  
 BELLY TO BELLY TYPE OF 2 REAR HOLES OF LEGS  
 PCB TOLERANCE: ±0.05  
 SCALE 6:1



RECOMMENDED PCB LAYOUT  
 BELLY TO BELLY TYPE OF 1 REAR HOLES OF LEGS  
 PCB TOLERANCE: ±0.05  
 SCALE 6:1



RECOMMENDED PCB LAYOUT  
 BELLY TO BELLY TYPE OF 0 REAR HOLES OF LEGS  
 PCB TOLERANCE: ±0.05  
 SCALE 6:1



DETAIL C  
 SCALE 8:1

THIS DRAWING IS A CONTROLLED DOCUMENT.		OWN: JASON YANG 07MAR2014	TE Connectivity
DIMENSIONS: mm		CHK: SEAN HAN 26JAN2016	
TOLERANCES UNLESS OTHERWISE SPECIFIED:		APVD:	NAME: CAGE ASSEMBLY, QSP28, THRU BEZEL WITH EMI SPRING FINGER HEAT SINK, LIGHT PIPE
0 PLC ±0.25	1 PLC ±0.25	PRODUCT SPEC: 108-19428	SIZE: A1
2 PLC ±0.20	3 PLC ±0.20	APPLICATION SPEC: 114-32023	CAGE CODE: 100779
4 PLC ±0.100	ANGLES ±°	WEIGHT: -	RESTRICTED TO: -
MATERIAL: -	FINISH: -	CUSTOMER DRAWING	SCALE: 2:1