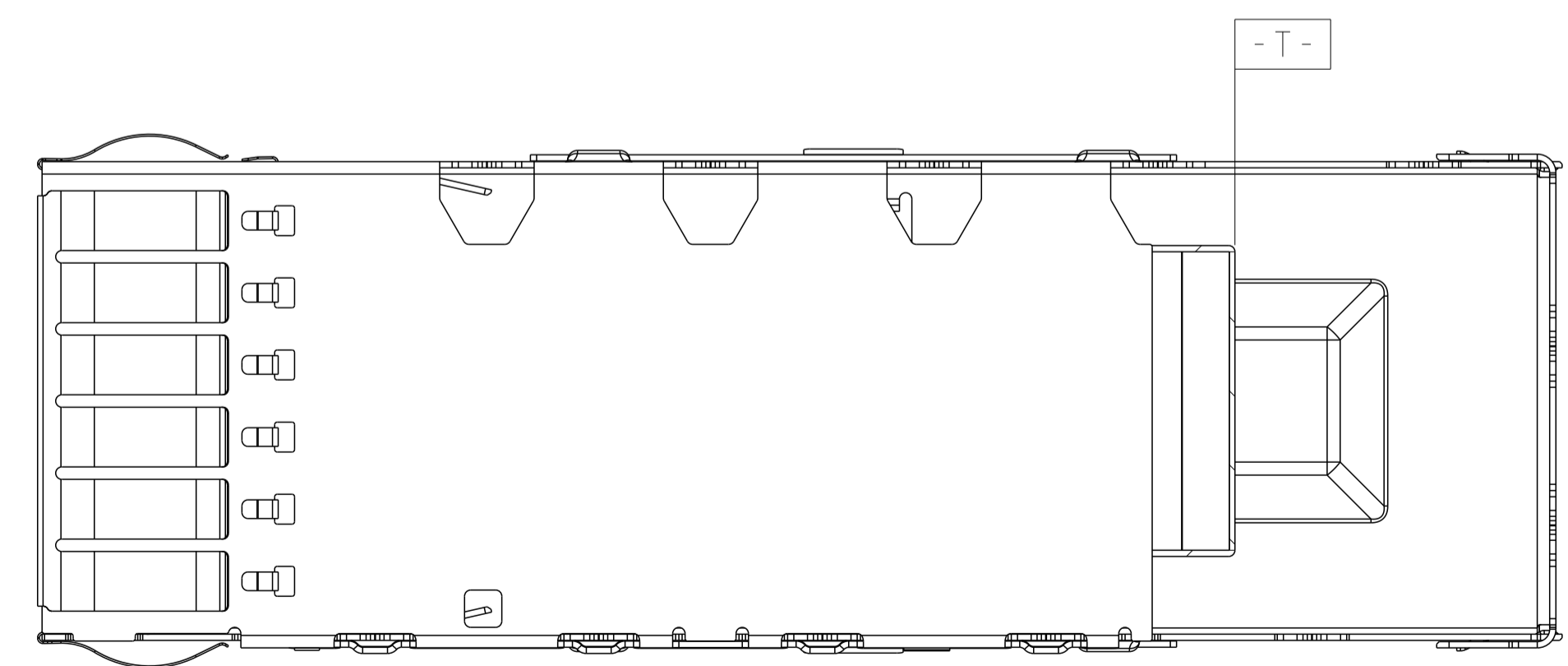
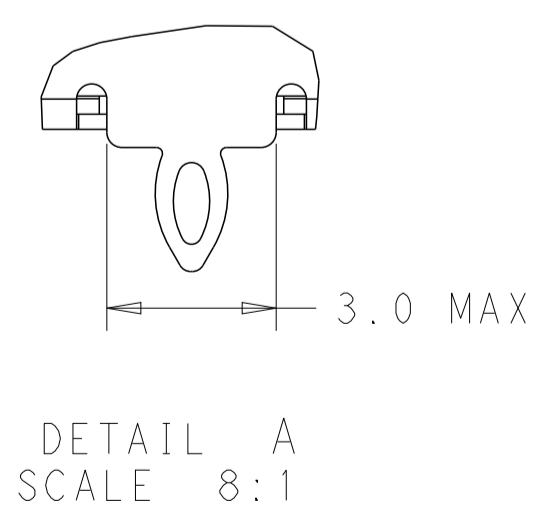
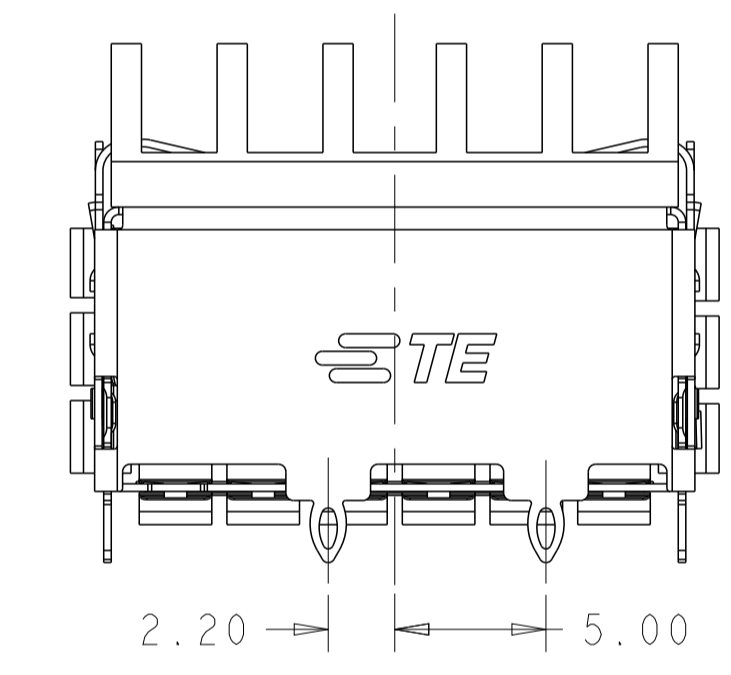
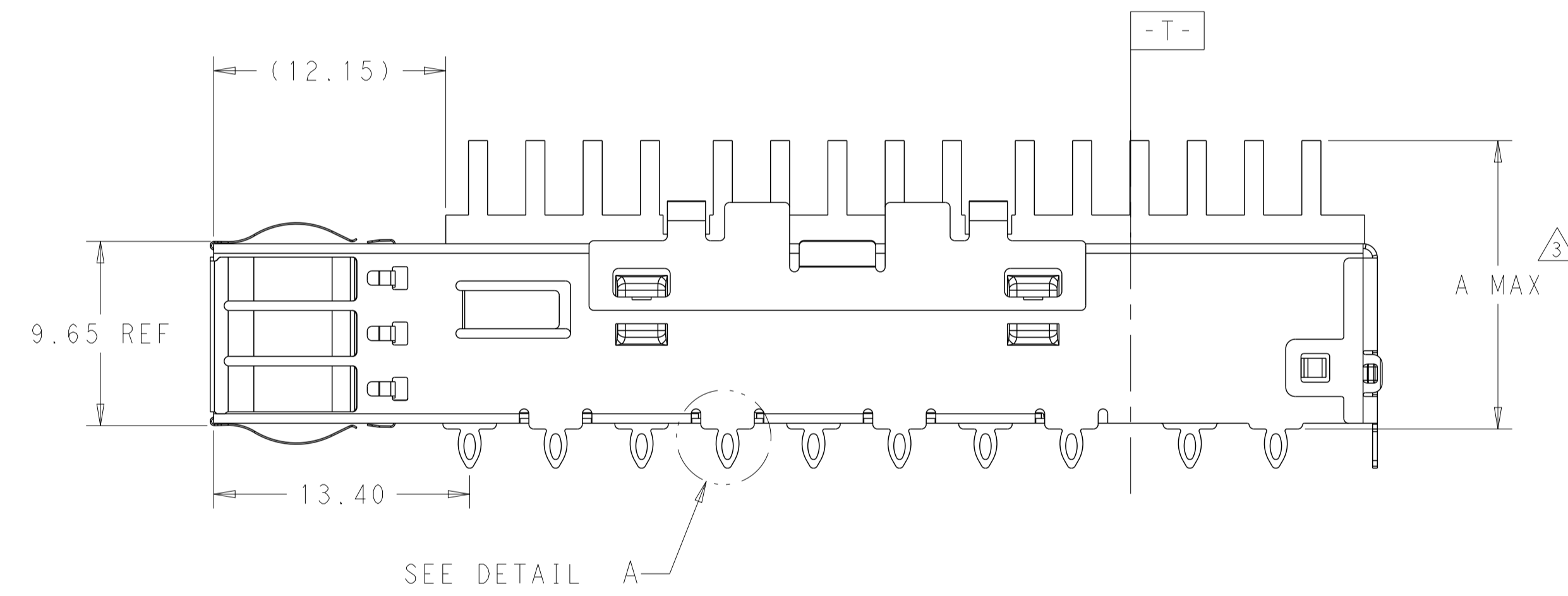
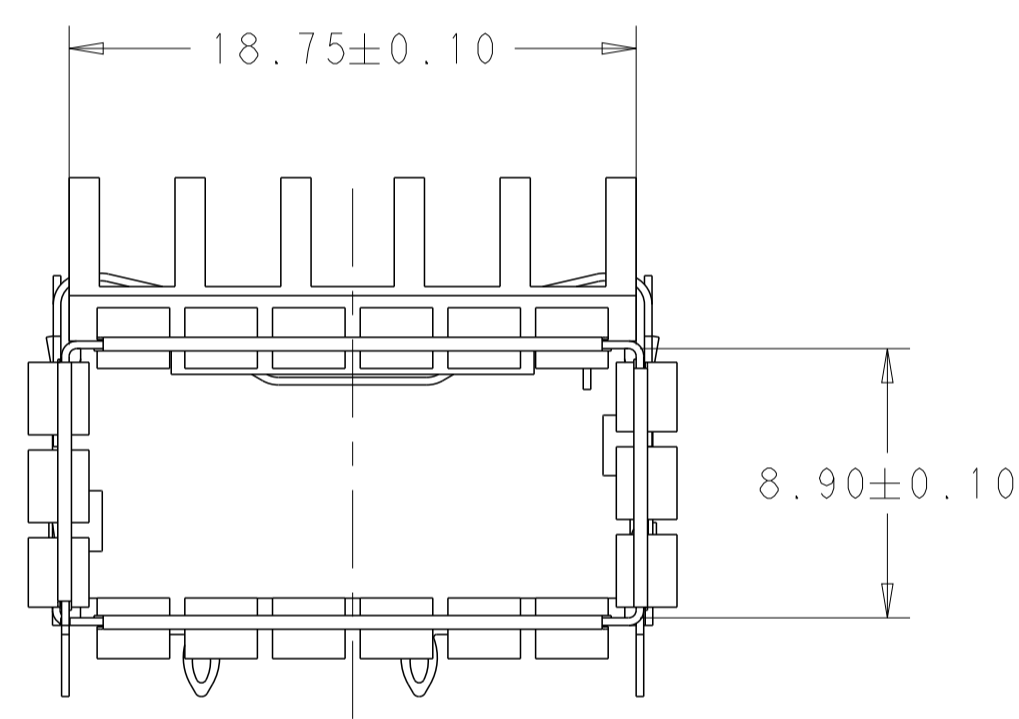
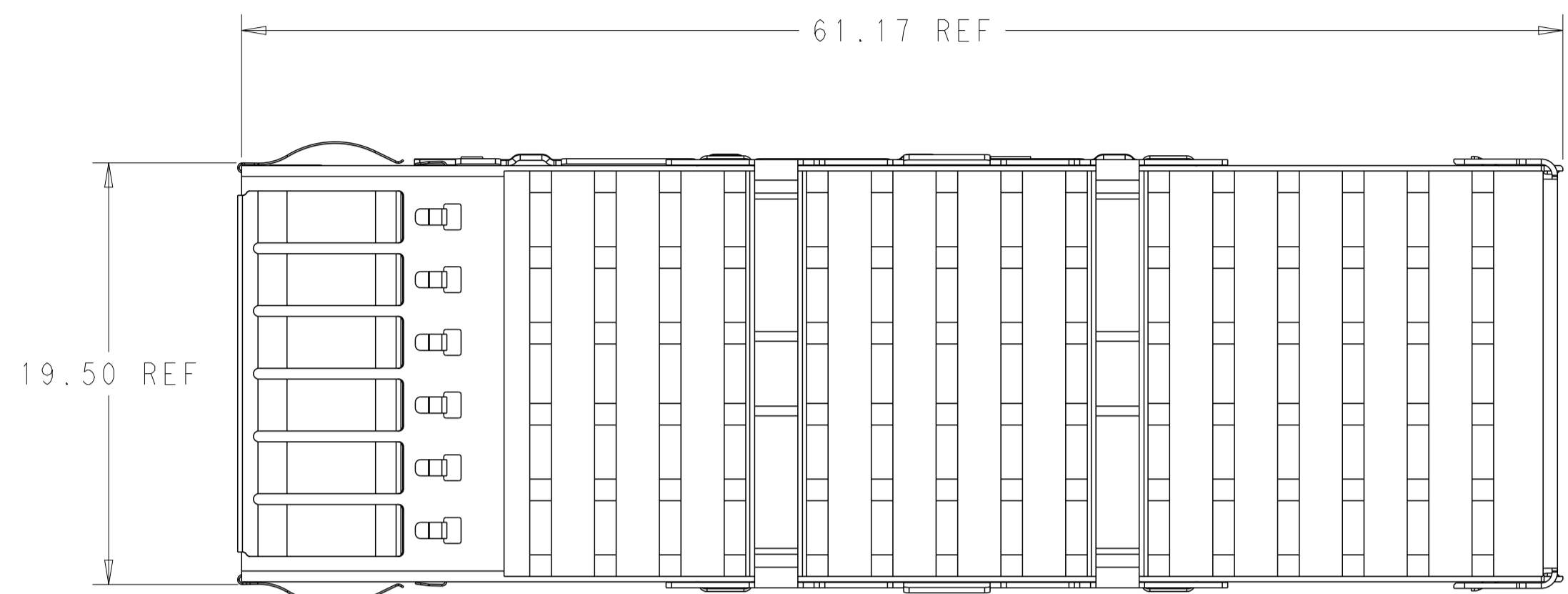
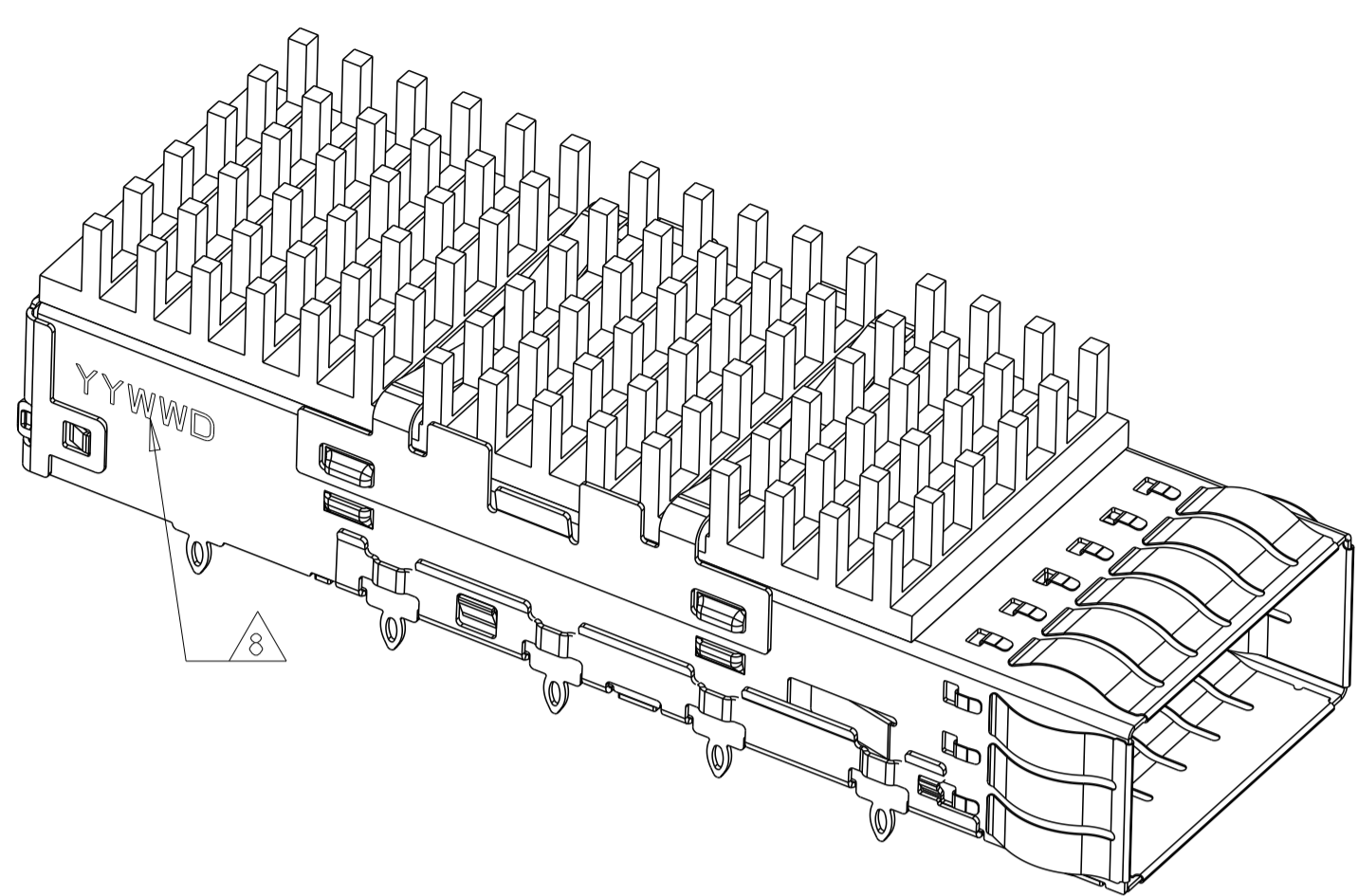


LOC		DIST		REVISIONS			
P	LTN	DESCRIPTION	DATE	OWN	APVD		
G		REVISED PER ECO-20-015173	26OCT2020	JY	SH		
G1		ADD 5-3	08AUG2022	TP	SZ		



- MATERIAL:
 CAGE MATERIAL : 0.25 THICK NICKEL SILVER.
 SPRING MATERIAL: COPPER ALLOY
 HEAT SINK MATERIAL: ALUMINUM
 CLIP MATERIAL: STAINLESS STEEL
- FINISH:
 SPRING: NICKEL PLATING
 HEAT SINK: BLACK ANODIZE/NICKEL PLATING
- DIMENSION APPLIES WITH MODULE INSTALLED IN THE CAGE TO TOP OF HEAT SINK.
- REFERENCE APPLICATION SPEC 114-32023 FOR RECOMMENDED DRILL HOLE DIAMETER AND PLATING THICKNESS.
- DATUM AND BASIC DIMENSIONS ESTABLISHED BY CUSTOMERS.
- MINIMUM PC BOARD THICKNESS : SINGLES SIDED: 1.57 MIN
 DOUBLE SIDED: 2.20 MIN
- DATUM [-A-] IS TOP SURFACE OF THE HOST BOARD.
- DATE CODE (YYWWD) MARKED APPROXIMATELY AS SHOWN
- MATES WITH QSFP28 MSA COMPATIBLE TRANSCEIVER.

13.2	2	WITHOUT	CUSTOMIZED	5-2170704-3
21.5	1	WITH	CUSTOMIZED	5-2170704-2
13.7	2	WITH	PCI	5-2170704-1
12.6	1	WITHOUT	CUSTOMIZED	1-2170704-7
12.6	2	WITHOUT	CUSTOMIZED	1-2170704-6
19.0	1	WITHOUT	CUSTOMIZED	1-2170704-5
19.0	0	WITHOUT	CUSTOMIZED	1-2170704-4
13.7	2	WITHOUT	CUSTOMIZED	1-2170704-3
13.7	2	WITHOUT	CUSTOMIZED	1-2170704-2
13.7	2	WITHOUT	PCI	1-2170704-1
19.0	2	WITHOUT	CUSTOMIZED	1-2170704-0
23.0	1	WITHOUT	NETWORKING	2170704-9
16.0	1	WITHOUT	SAN	2170704-8
13.7	1	WITHOUT	PCI	2170704-7
23.0	0	WITHOUT	NETWORKING	2170704-6
16.0	0	WITHOUT	SAN	2170704-5
13.7	0	WITHOUT	PCI	2170704-4
23.0	2	WITHOUT	NETWORKING	2170704-3
16.0	2	WITHOUT	SAN	2170704-2
13.7	2	WITHOUT	PCI	2170704-1
DIM A	#	INSULATING REAR PINS	APPLICATION	PART NUMBER
		TAPE OPTION		

2170704-2 AS SHOWN

THIS DRAWING IS A CONTROLLED DOCUMENT. DWG: JASON YANG 23SEP2013
 CHK: SEAN HAN 23SEP2013

TE Connectivity

NAME: CAGE ASSEMBLY, QSFP28, THRU BEZEL WITH EMI SPRING FINGER HEAT SINK

PRODUCT SPEC: 108-19428
 APPLICATION SPEC: 114-32023

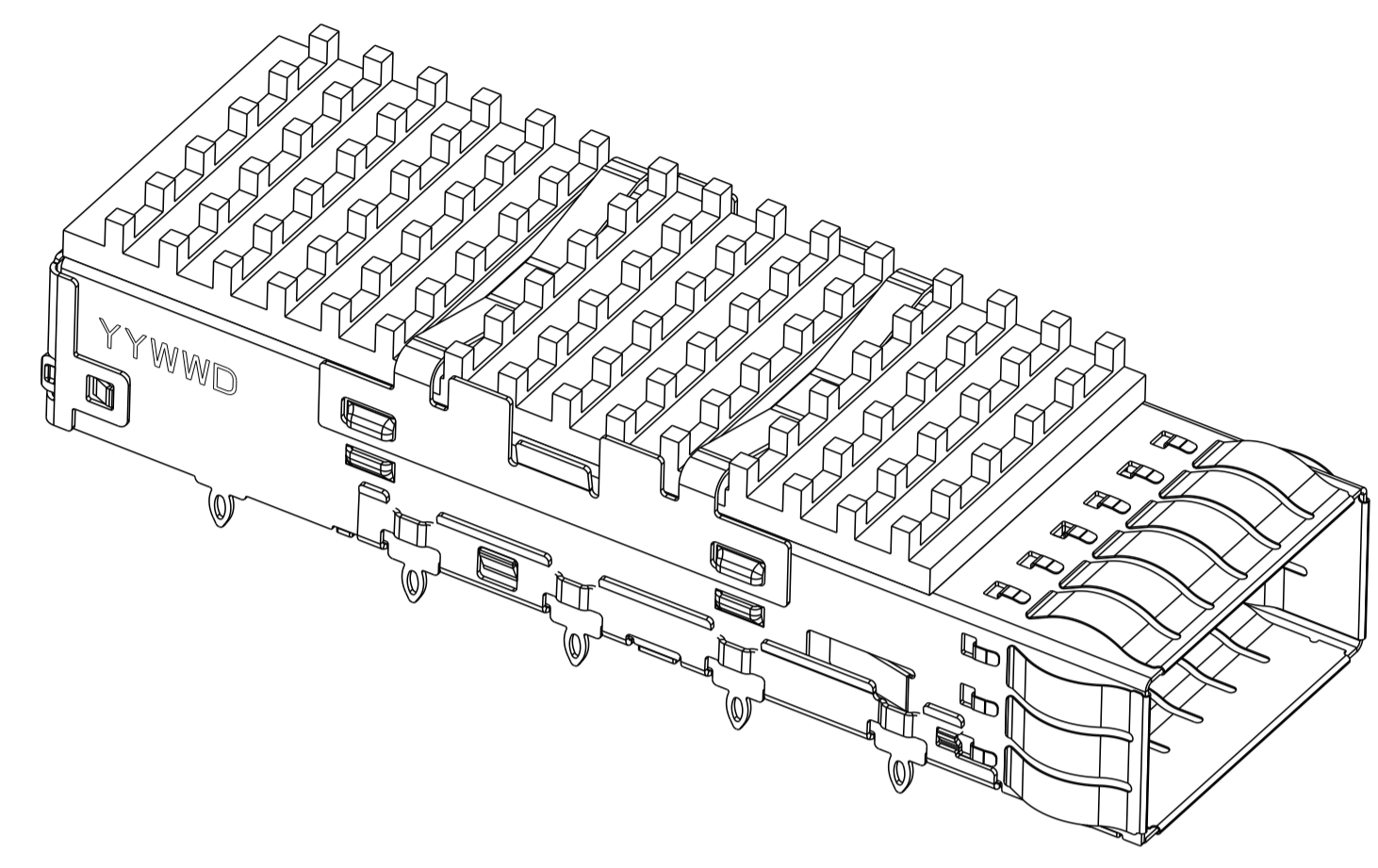
SIZE: A1 CAGE CODE: 00779 DRAWING NO: 2170704
 WEIGHT: -

MATERIAL: - FINISH: -

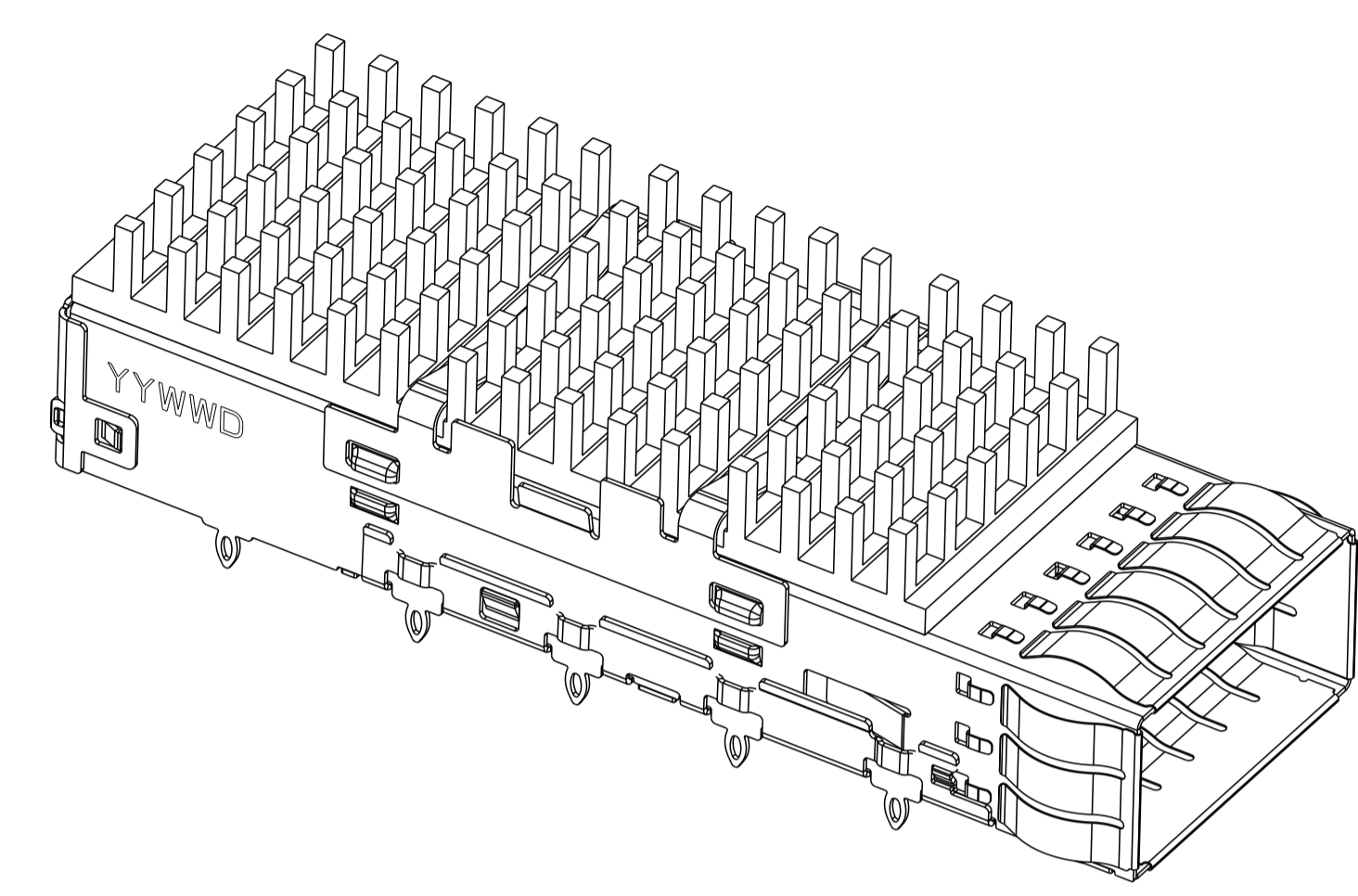
CUSTOMER DRAWING SCALE: 2:1 SHEET: 1 OF 9 REV: G1

LOC		DIST		REVISIONS			
P	LTN	DESCRIPTION	DATE	OWN	APVD		
-	-	SEE SHEET 1	-	-	-		

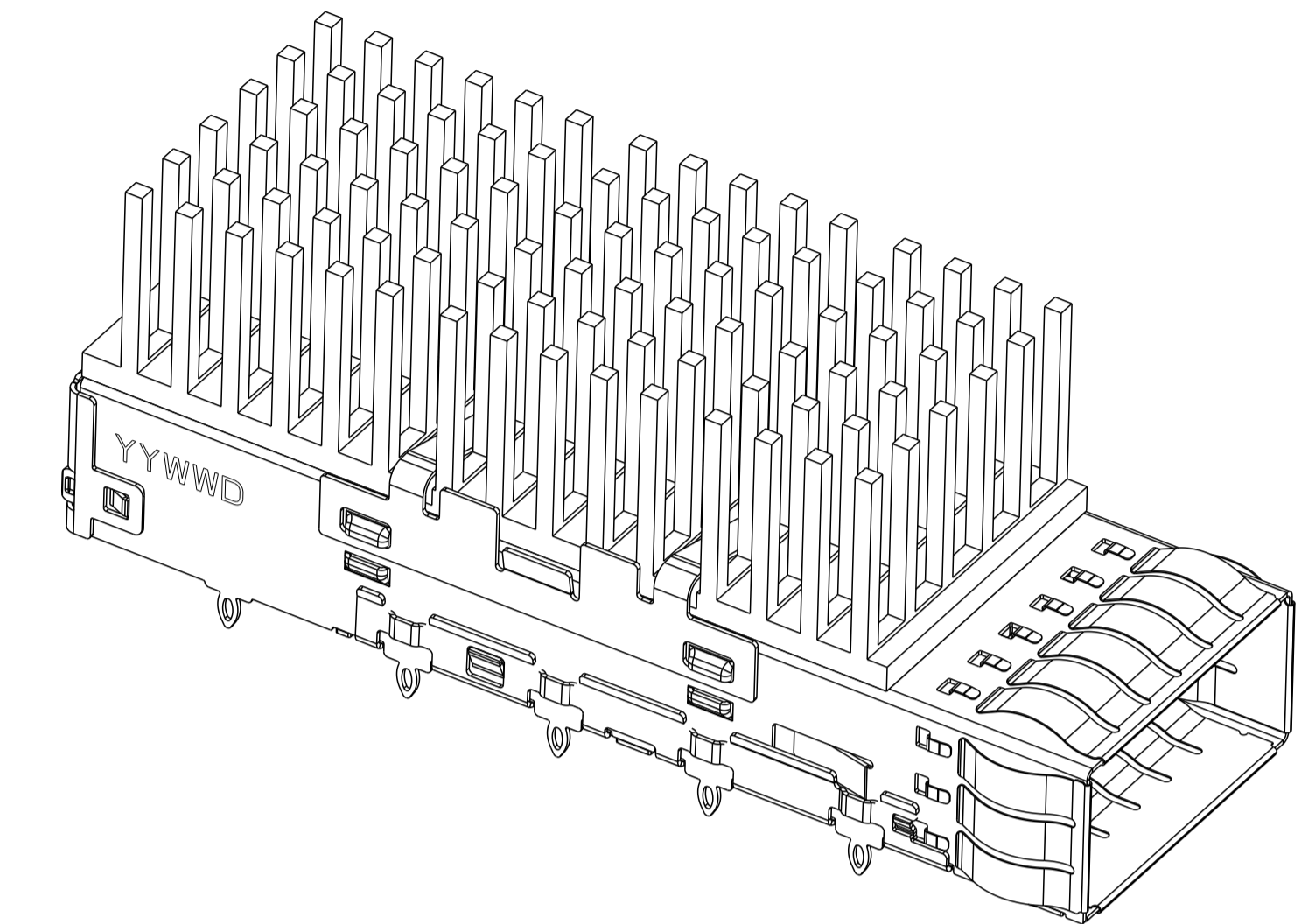
HEAT SINK OPTIONS



PCI HEAT SINK
SCALE 3:1

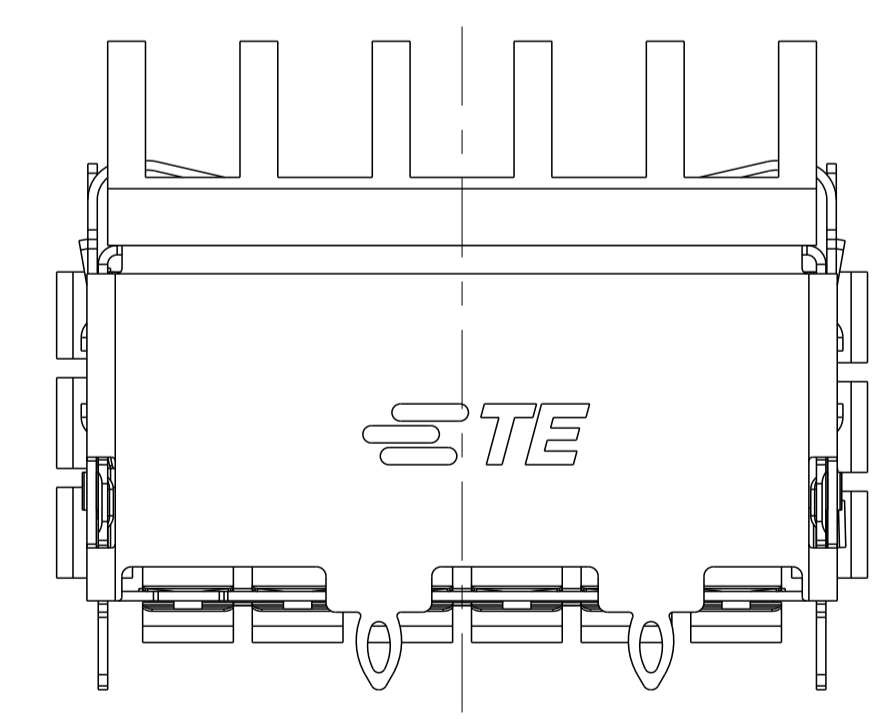


SAN HEAT SINK
SCALE 3:1

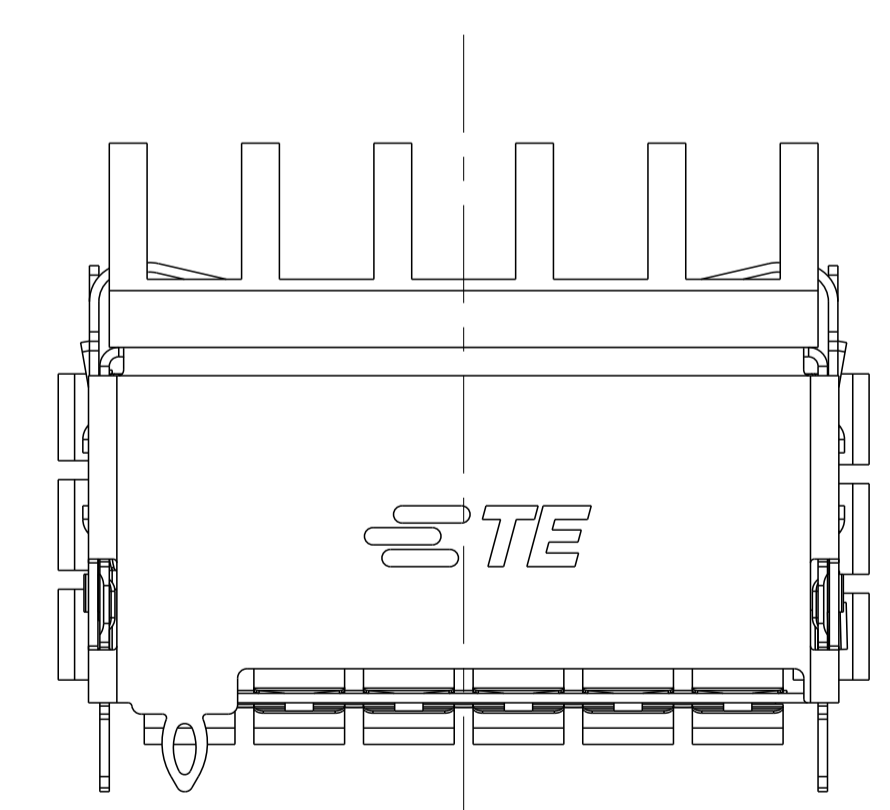


NETWORKING HEAT SINK
SCALE 3:1

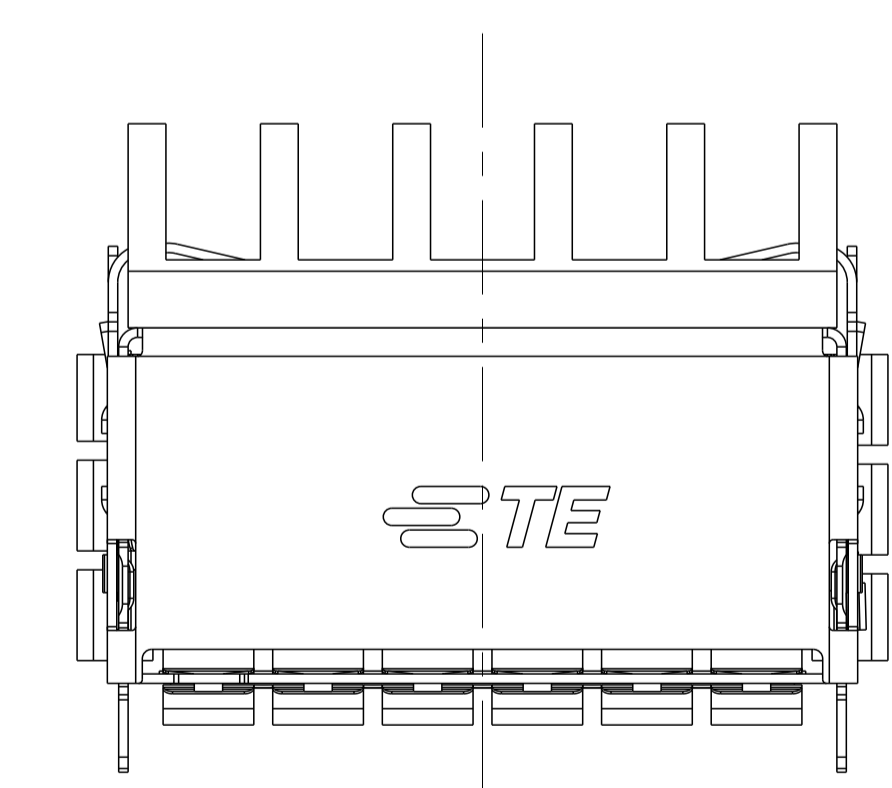
OF REAR LEGS OPTIONS



2 REAR LEGS
SCALE 5:1



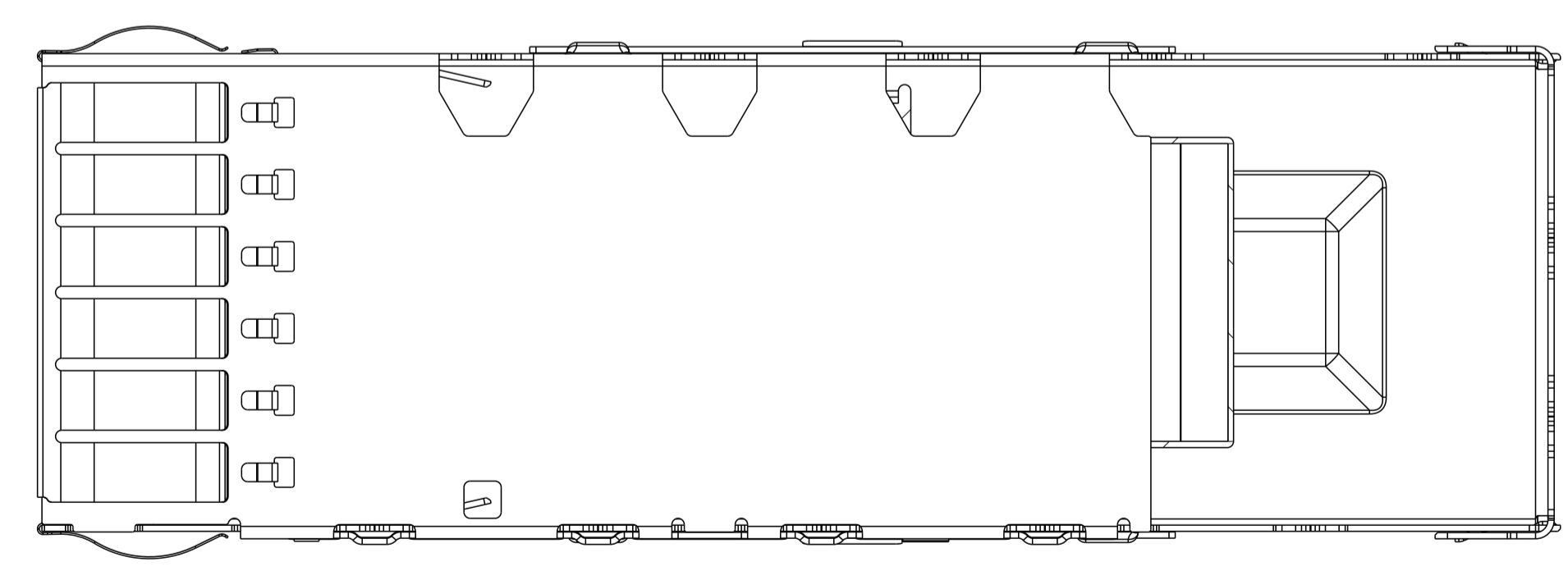
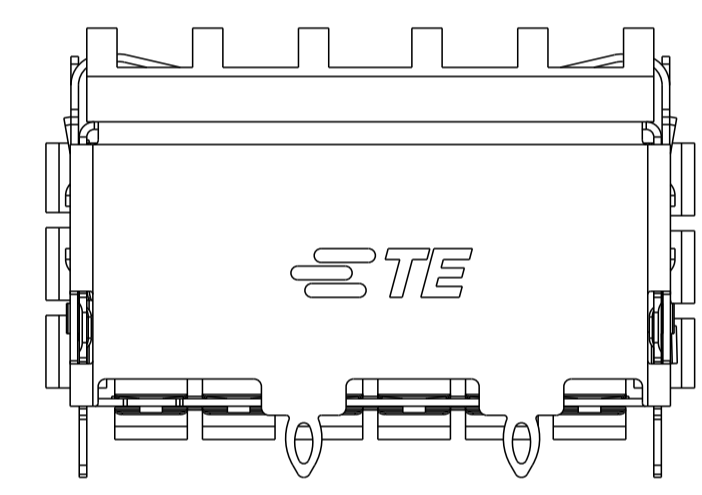
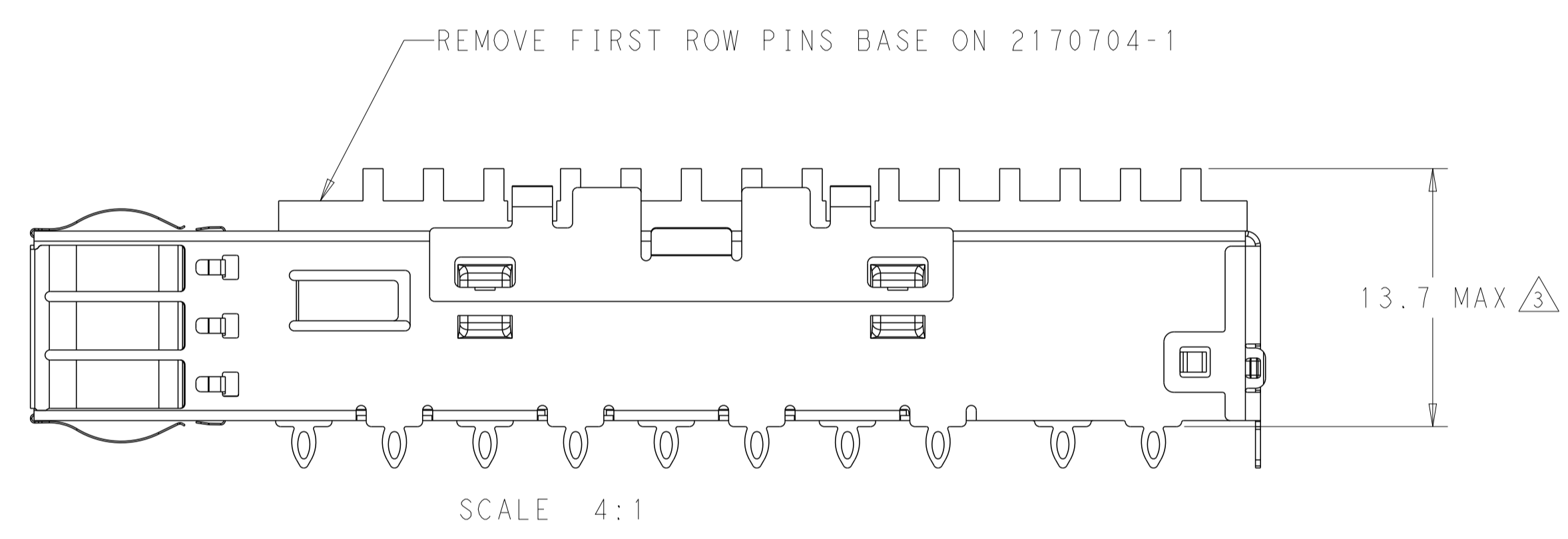
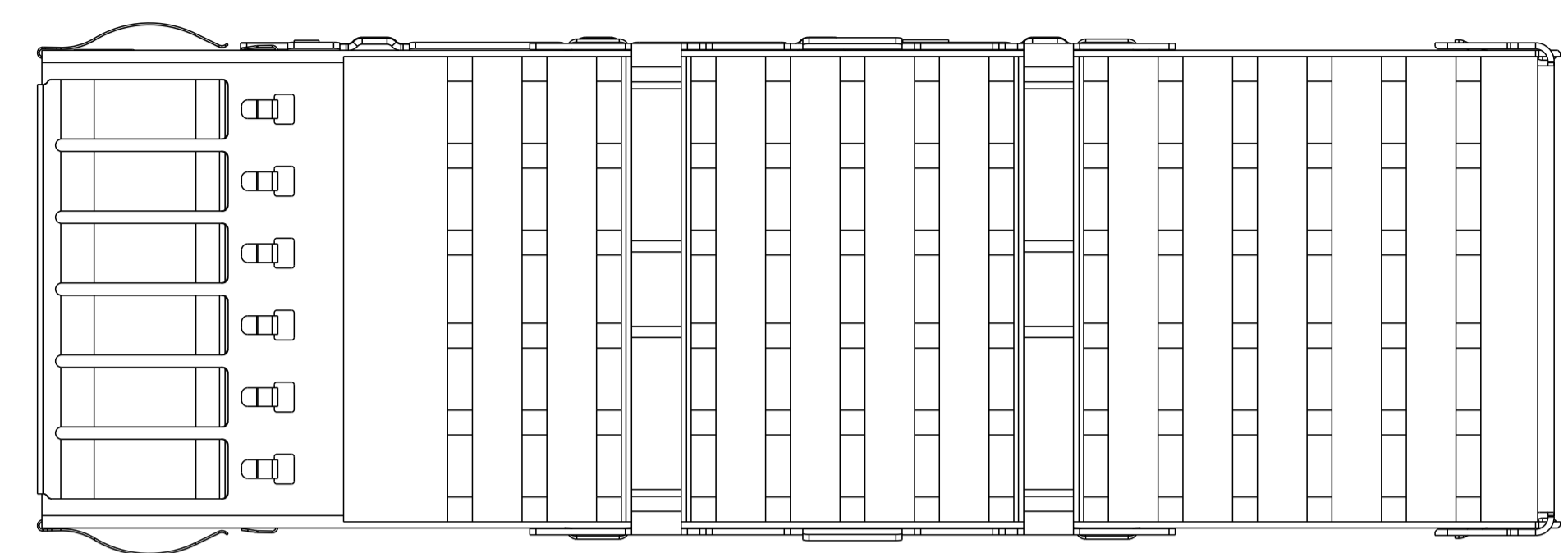
1 REAR LEG
SCALE 5:1



0 REAR LEG
SCALE 5:1

THIS DRAWING IS A CONTROLLED DOCUMENT.		OWN: JASON YANG 23SEP2013	TE Connectivity
		CHK: SEAN HAN 23SEP2013	
DIMENSIONS:		NAME: CAGE ASSEMBLY, QSFP28, THRU BEZEL WITH EMI SPRING FINGER HEAT SINK	
TOLERANCES UNLESS OTHERWISE SPECIFIED:		PRODUCT SPEC: 108-19428	
mm		APPLICATION SPEC: 114-32023	
0 PLC ±0.25 1 PLC ±0.25 2 PLC ±0.20 3 PLC ±0.100 4 PLC ± ANGLES ±°		SIZE: A100779 C=2170704	
MATERIAL:		RESTRICTED TO:	
FINISH:		WEIGHT:	
		CUSTOMER DRAWING	
		SCALE: 2:1 SHEET 2 OF 9 REV: G1	

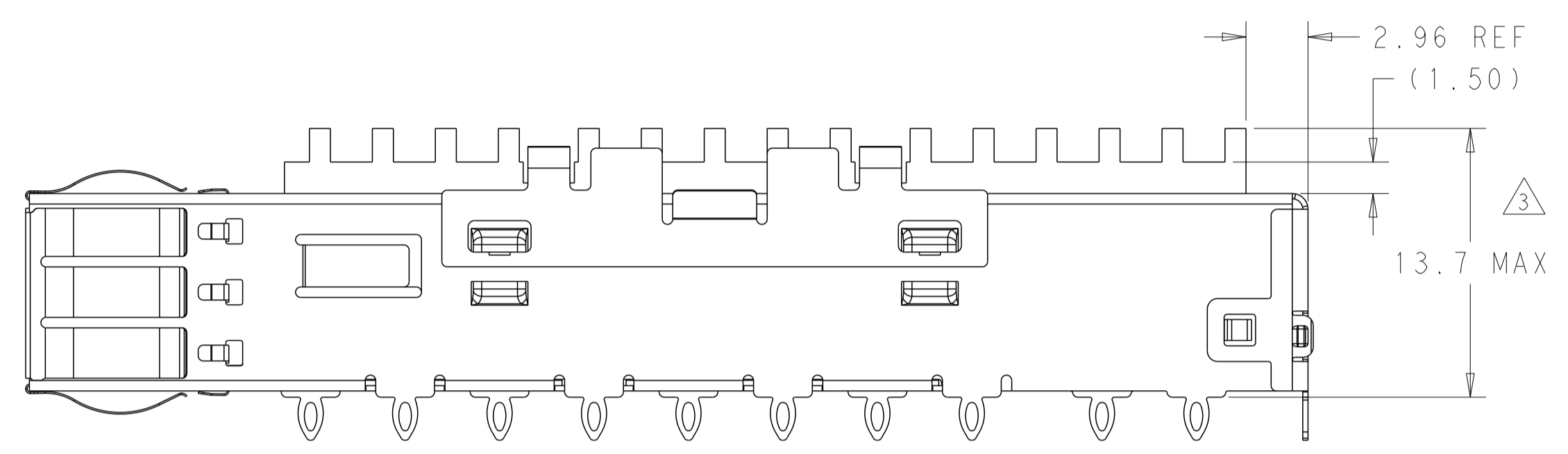
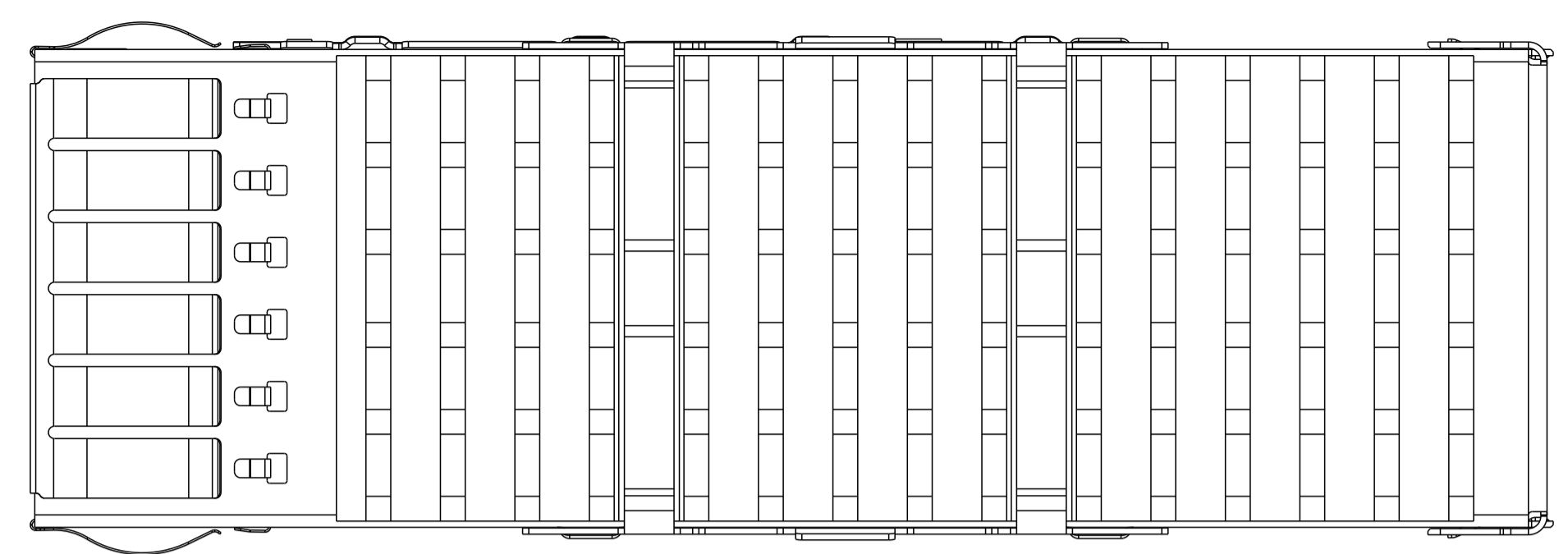
LOC		DIST		REVISIONS			
P	LTN	DESCRIPTION	DATE	DWN	APVD		
-	-	SEE SHEET 1	-	-	-		



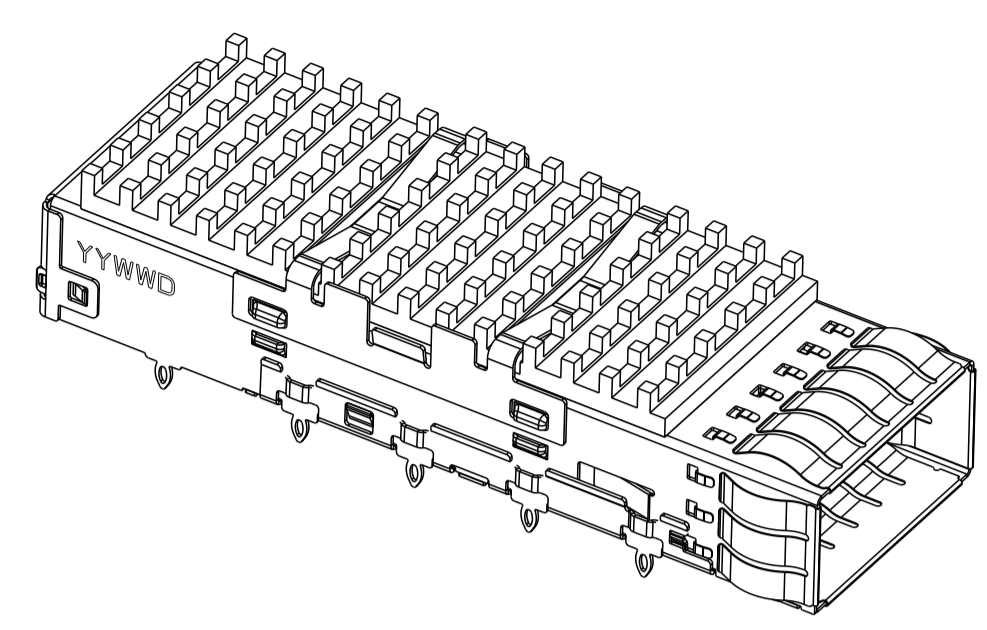
1-2170704-2 ARE AS SHOWN

THIS DRAWING IS A CONTROLLED DOCUMENT.		DWN: JASON YANG 23SEP2013	TE Connectivity
		CHK: SEAN HAN 23SEP2013	
DIMENSIONS:		NAME: CAGE ASSEMBLY, QSFP28, THRU BEZEL WITH EMI SPRING FINGER HEAT SINK	
mm	0 PLC ±0.25 1 PLC ±0.25 2 PLC ±0.25 3 PLC ±0.100 4 PLC ±	PRODUCT SPEC: 108-19428	RESTRICTED TO: -
		APPLICATION SPEC: 114-32023	SIZE: A1
MATERIAL: -		WEIGHT: -	CAGE CODE: 00779
		CUSTOMER DRAWING	DRAWING NO: C=2170704
		SCALE: 2:1	SHEET 3 OF 9
			REV: G1

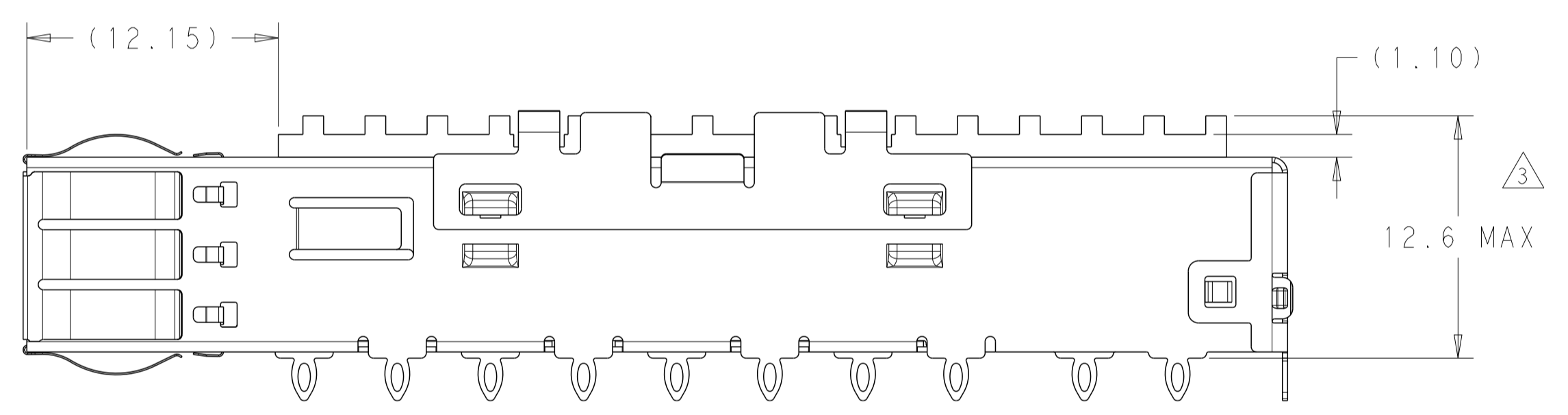
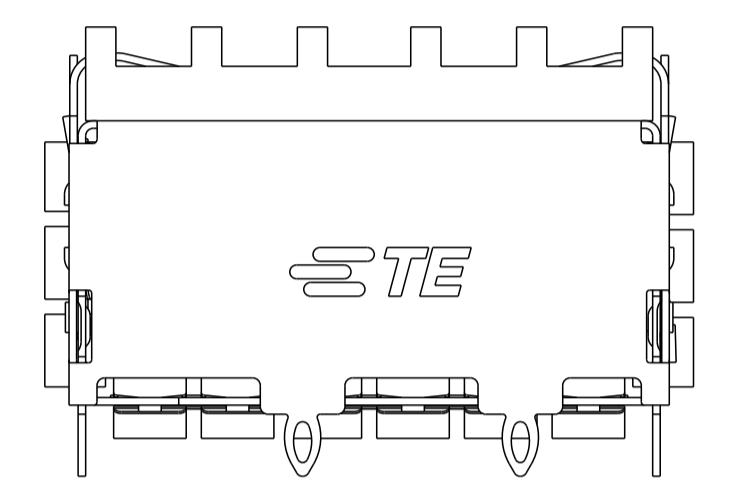
LOC		DIST		REVISIONS			
P	LYR	DESCRIPTION	DATE	OWN	APVD		
-	-	SEE SHEET 1	-	-	-		



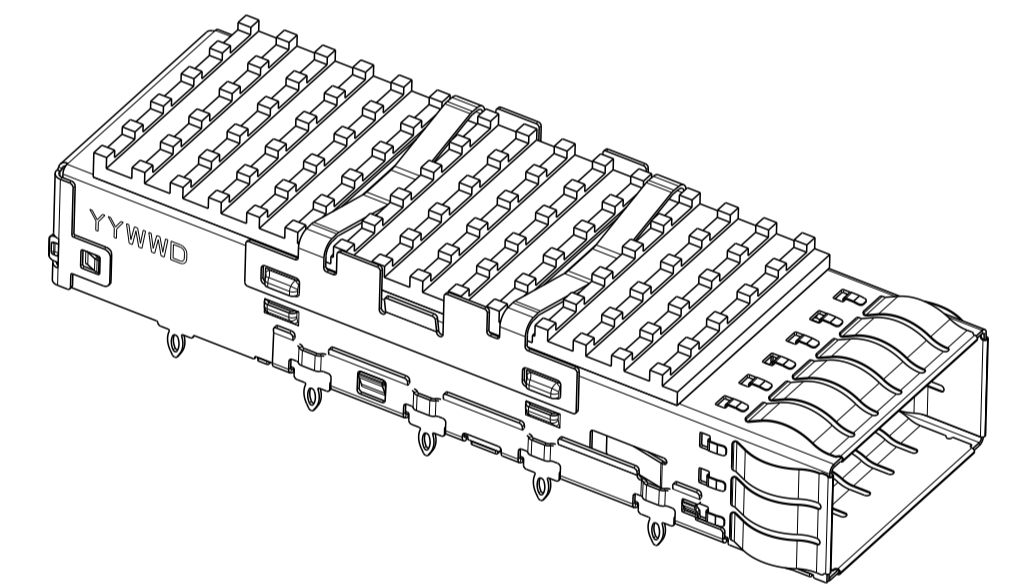
1-2170704-3 AS SHOWN
SCALE 4:1



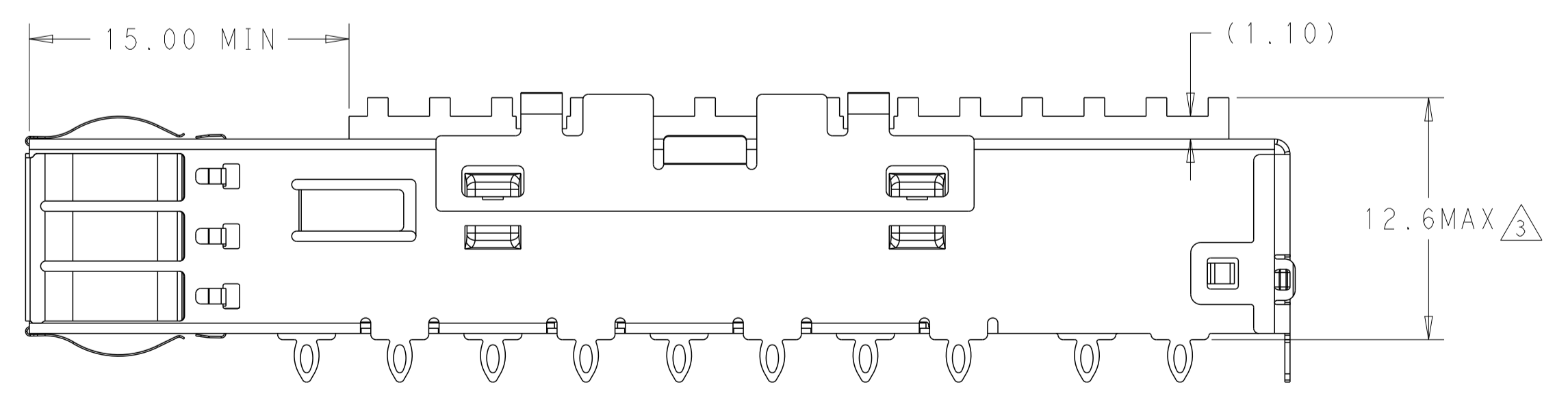
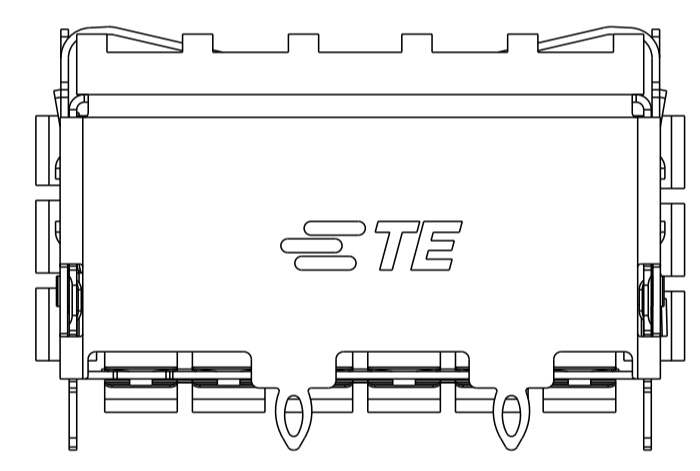
1-2170704-3 ARE AS SHOWN
SCALE 2:1



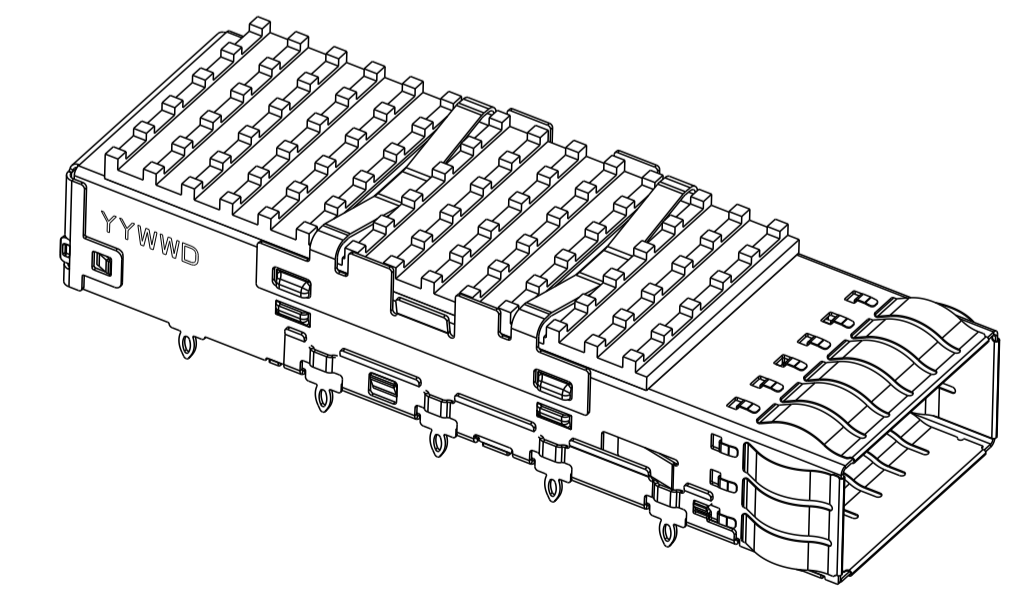
1-2170704-6 AS SHOWN
SAME AS 1-2170704-3 EXCEPT MARKED DIMENSIONS
SCALE 4:1



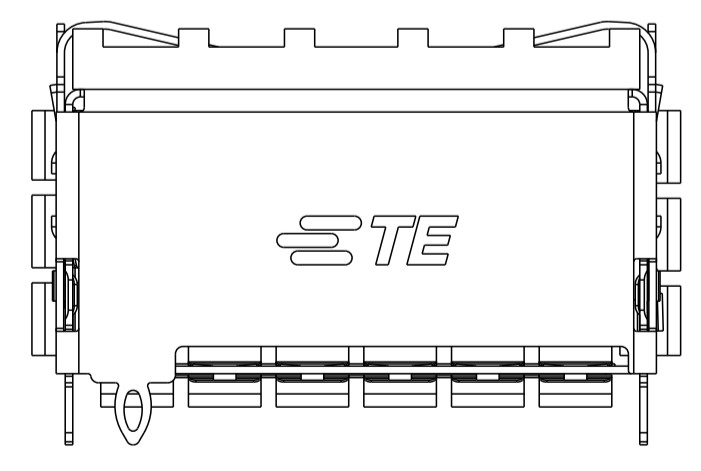
1-2170704-6 ARE AS SHOWN
SCALE 2:1



1-2170704-7 AS SHOWN
SAME AS 1-2170704-6 EXCEPT MARKED DIENSIONS



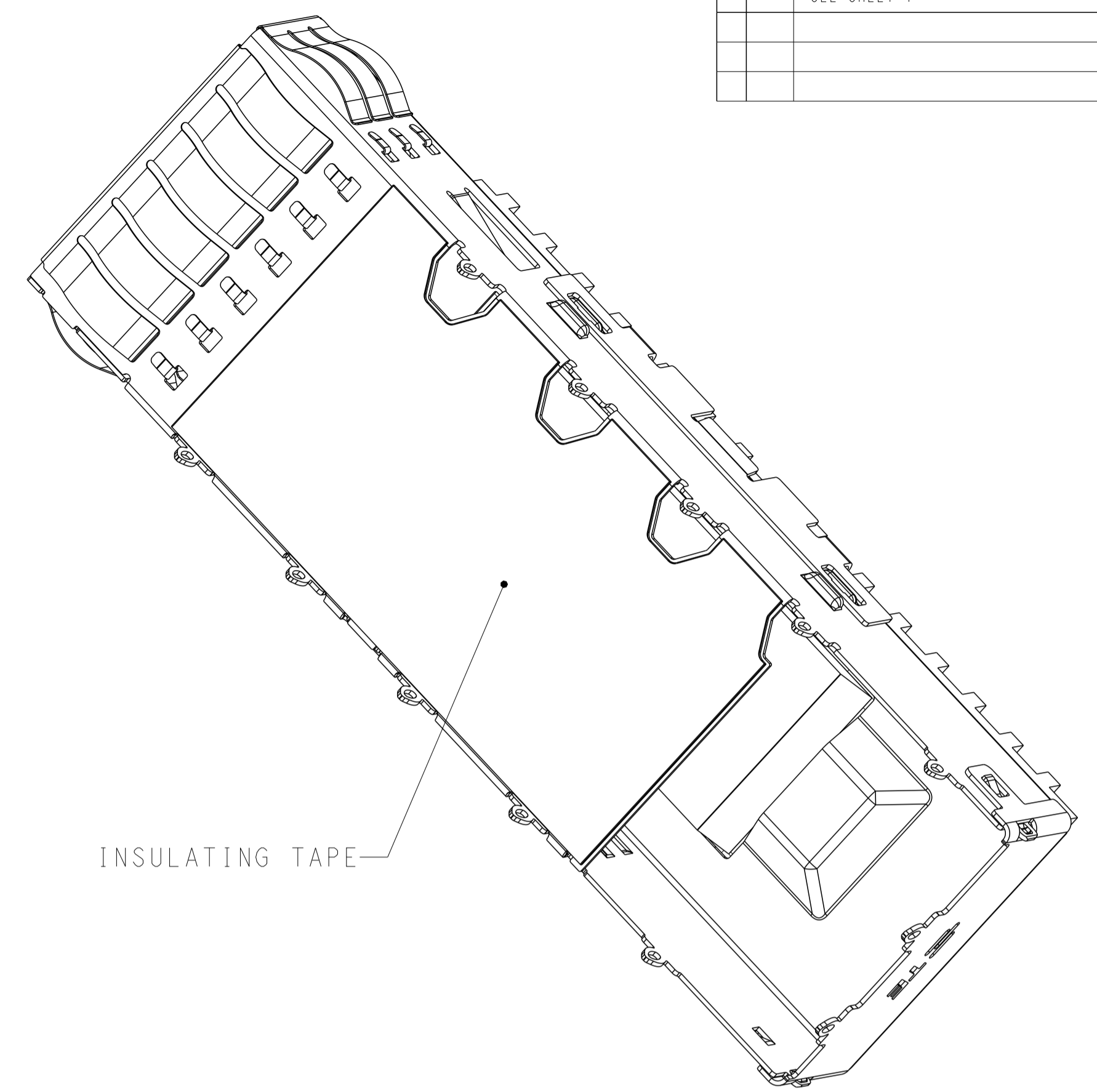
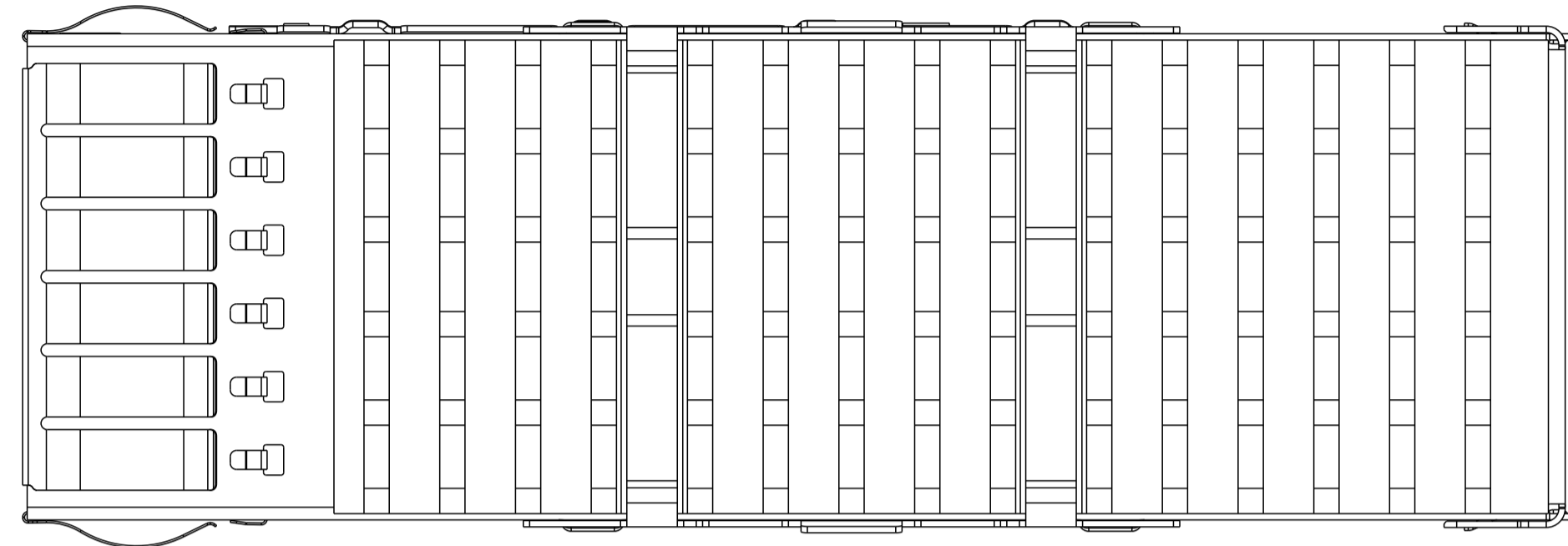
1-2170704-7 AS SHOWN
SCALE 2:1



SCALE 4:1

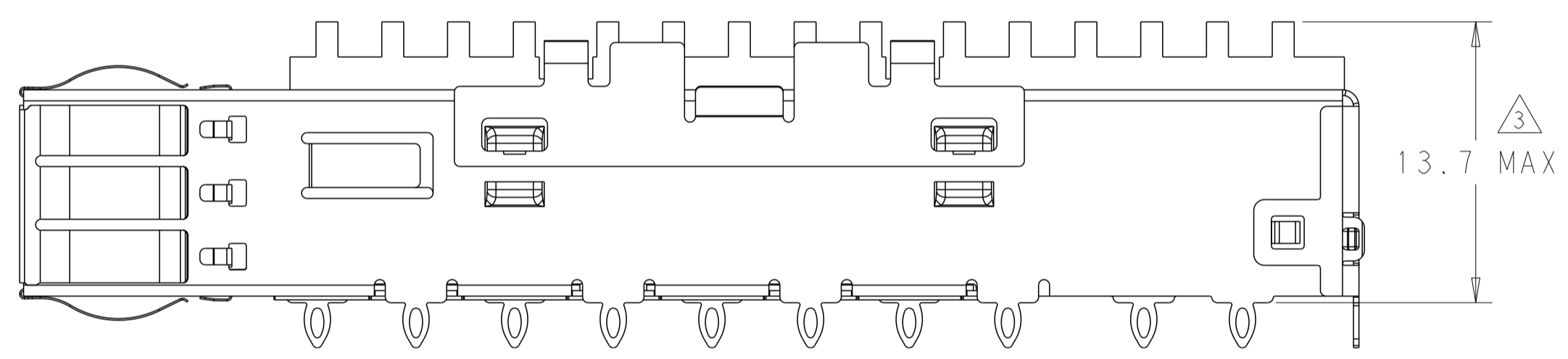
THIS DRAWING IS A CONTROLLED DOCUMENT.		OWN: JASON YANG 23SEP2013	
		CHK: SEAN HAN 23SEP2013	
DIMENSIONS:		NAME: CAGE ASSEMBLY, QSFP28, THRU BEZEL WITH EMI SPRING FINGER HEAT SINK	
TOLERANCES UNLESS OTHERWISE SPECIFIED:		PRODUCT SPEC: 108-19428	
MATERIAL:		APPLICATION SPEC: 114-32023	
FINISH:		SIZE: A100779C=2170704	
		WEIGHT: -	
		CUSTOMER DRAWING	
		SCALE: 2:1 SHEET 4 OF 9 REV: G1	

LOC		DIST		REVISIONS			
P	LTN	DESCRIPTION	DATE	DWN	APVD		
-	-	SEE SHEET 1	-	-	-		



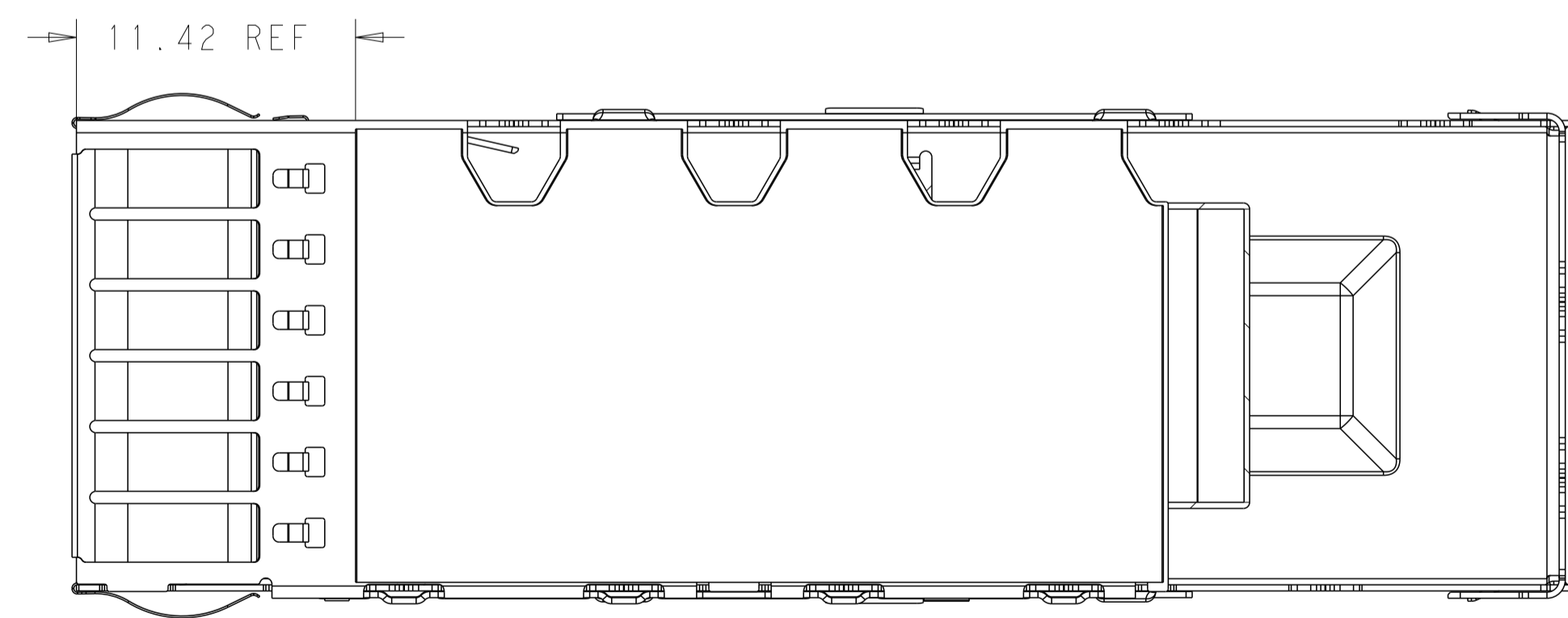
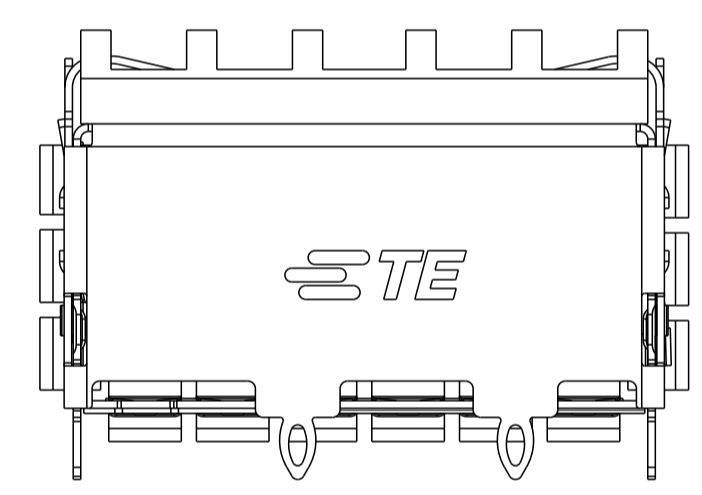
INSULATING TAPE

5-2170704-1 WITH INSULATING TAPE
 SCALE 4:1



13.7 MAX

SCALE 4:1

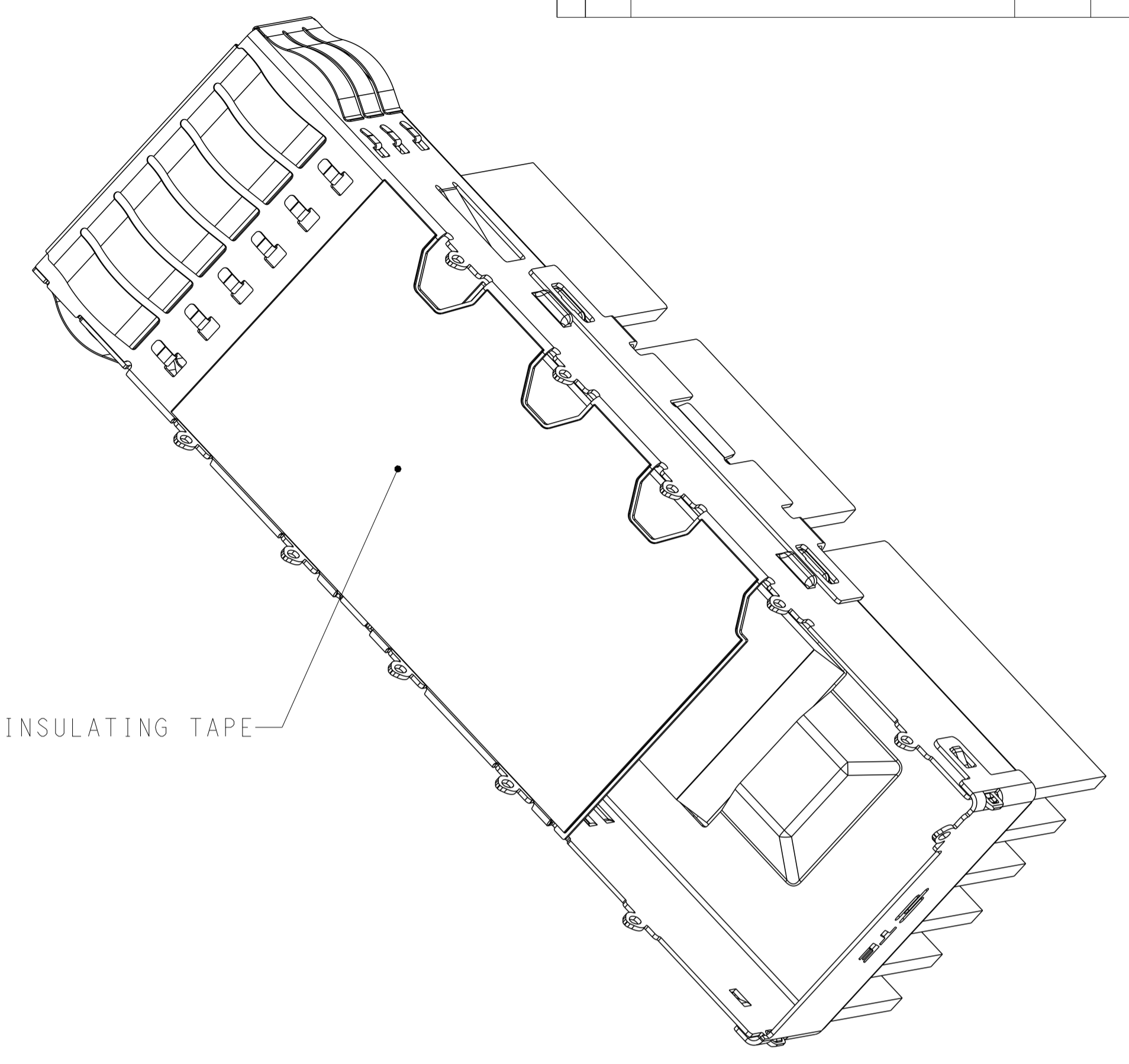
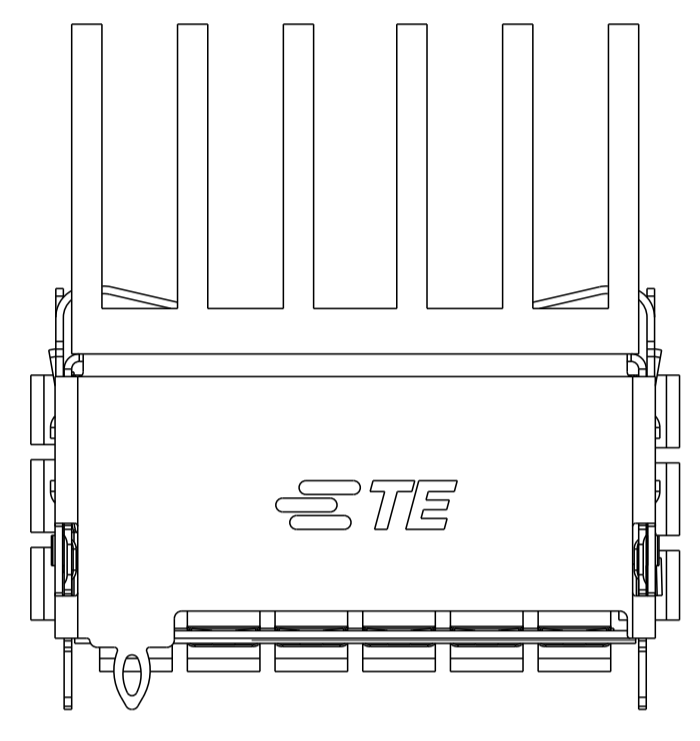
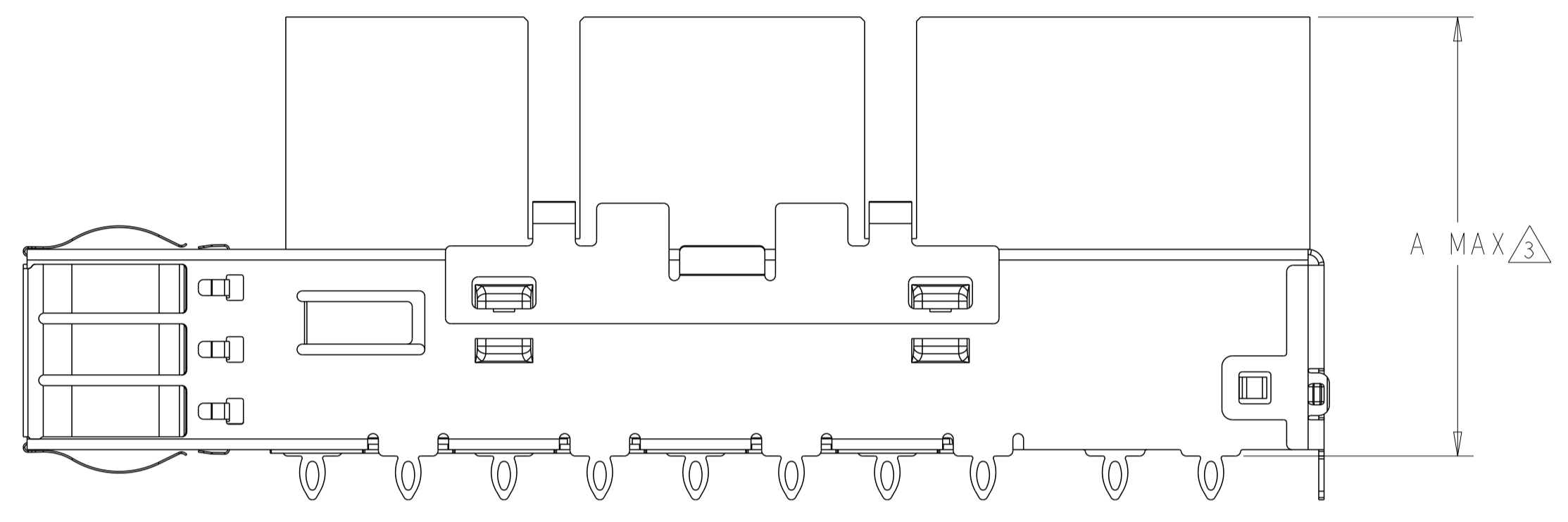
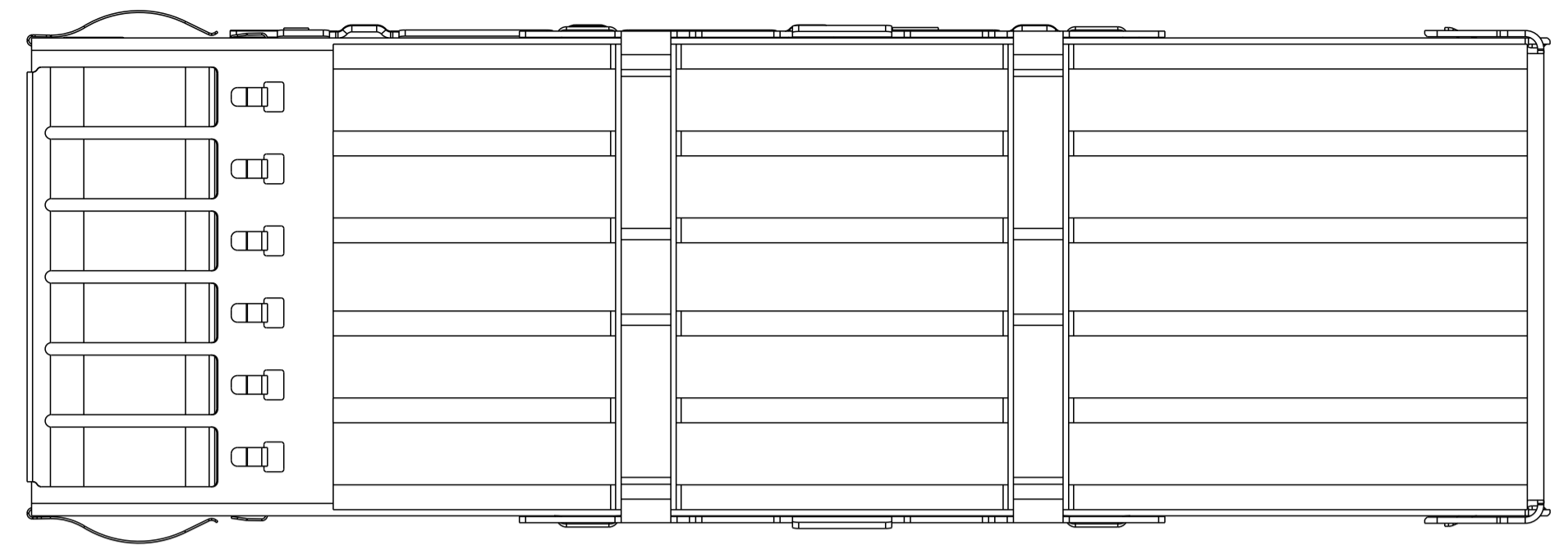


11.42 REF

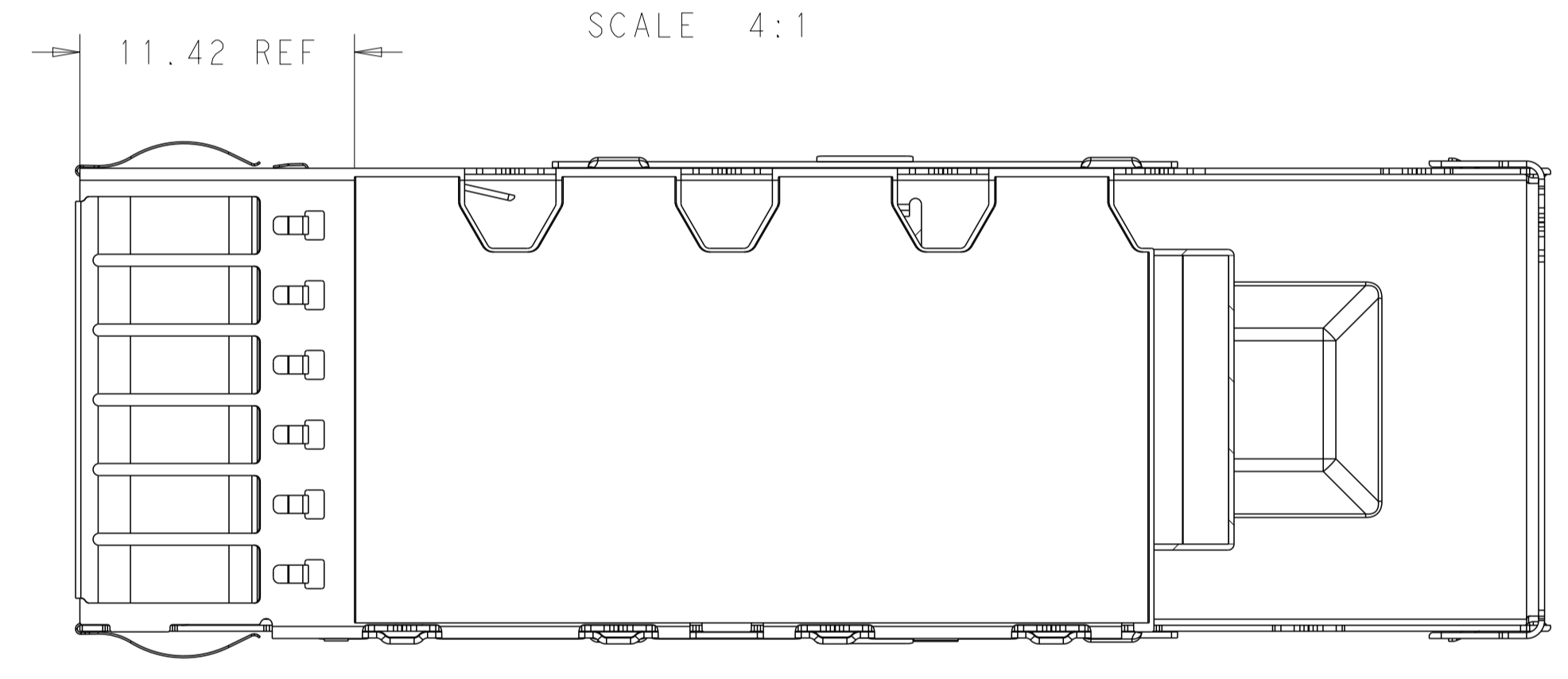
5-2170704-1 ARE AS SHOWN

THIS DRAWING IS A CONTROLLED DOCUMENT.		DWN: JASON YANG 23SEP2013	TE Connectivity NAME: CAGE ASSEMBLY, QSFP28, THRU BEZEL WITH EMI SPRING FINGER HEAT SINK
DIMENSIONS:		CHK: SEAN HAN 23SEP2013	
mm	TOLERANCES UNLESS OTHERWISE SPECIFIED: 0 PLC ±0.25 1 PLC ±0.25 2 PLC ±0.25 3 PLC ±0.100 4 PLC ± ANGLES ±°	APVD:	PRODUCT SPEC: 108-19428
			APPLICATION SPEC: 114-32023
MATERIAL:	FINISH:	WEIGHT:	SIZE: A100779 C=2170704
			RESTRICTED TO: -
CUSTOMER DRAWING			SCALE: 2:1 SHEET 5 OF 9 REV: G1

LOC		DIST		REVISIONS			
P	LTN	DESCRIPTION	DATE	OWN	APVD		
-	-	SEE SHEET 1	-	-	-		

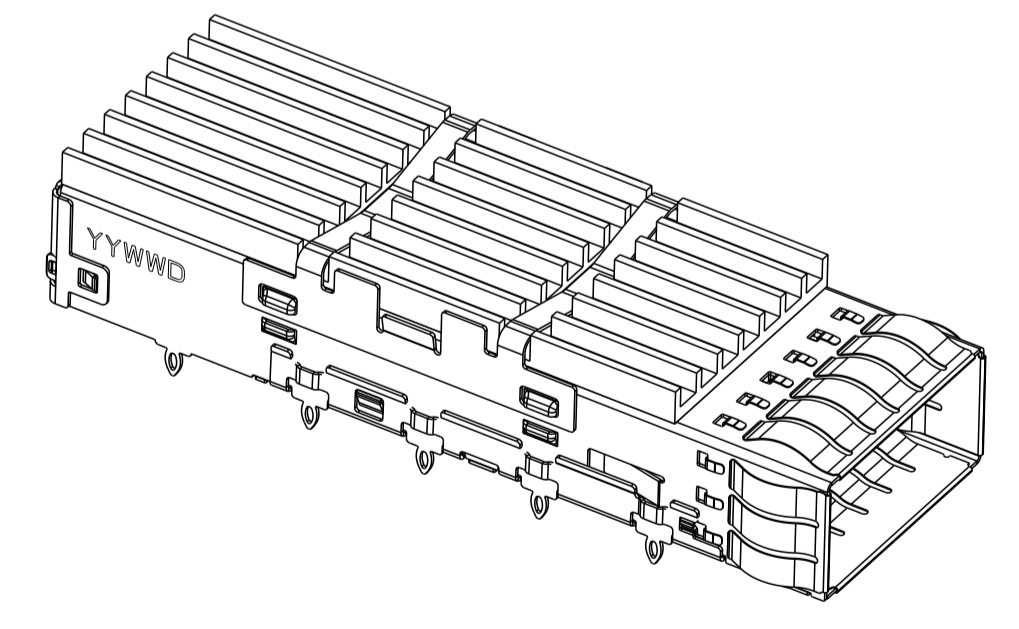
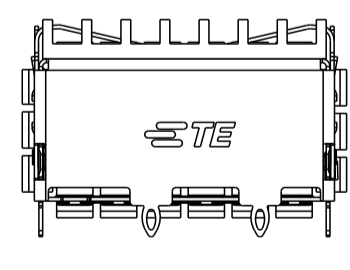
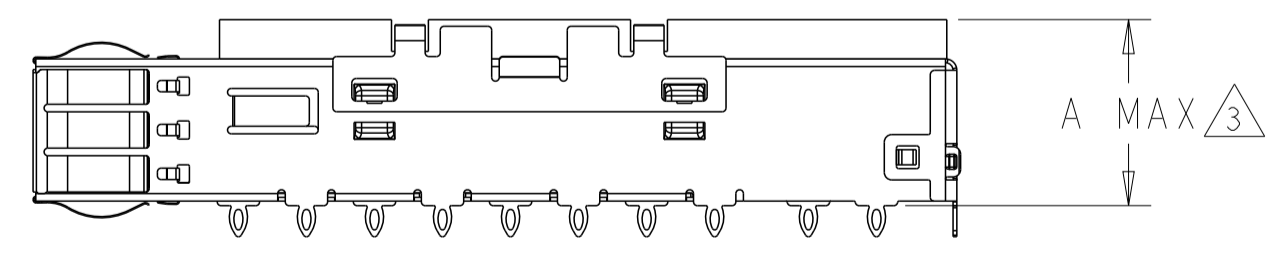
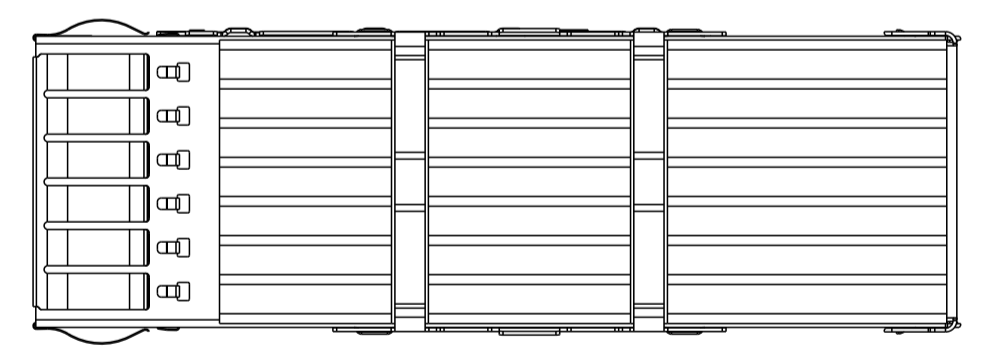


5-2170704-2 WITH INSULATING TAPE
SCALE 4:1

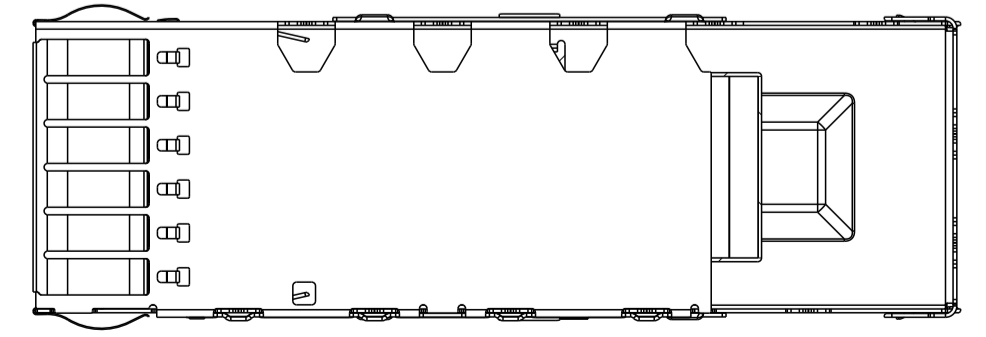


SCALE 4:1

5-2170704-2 ARE AS SHOWN

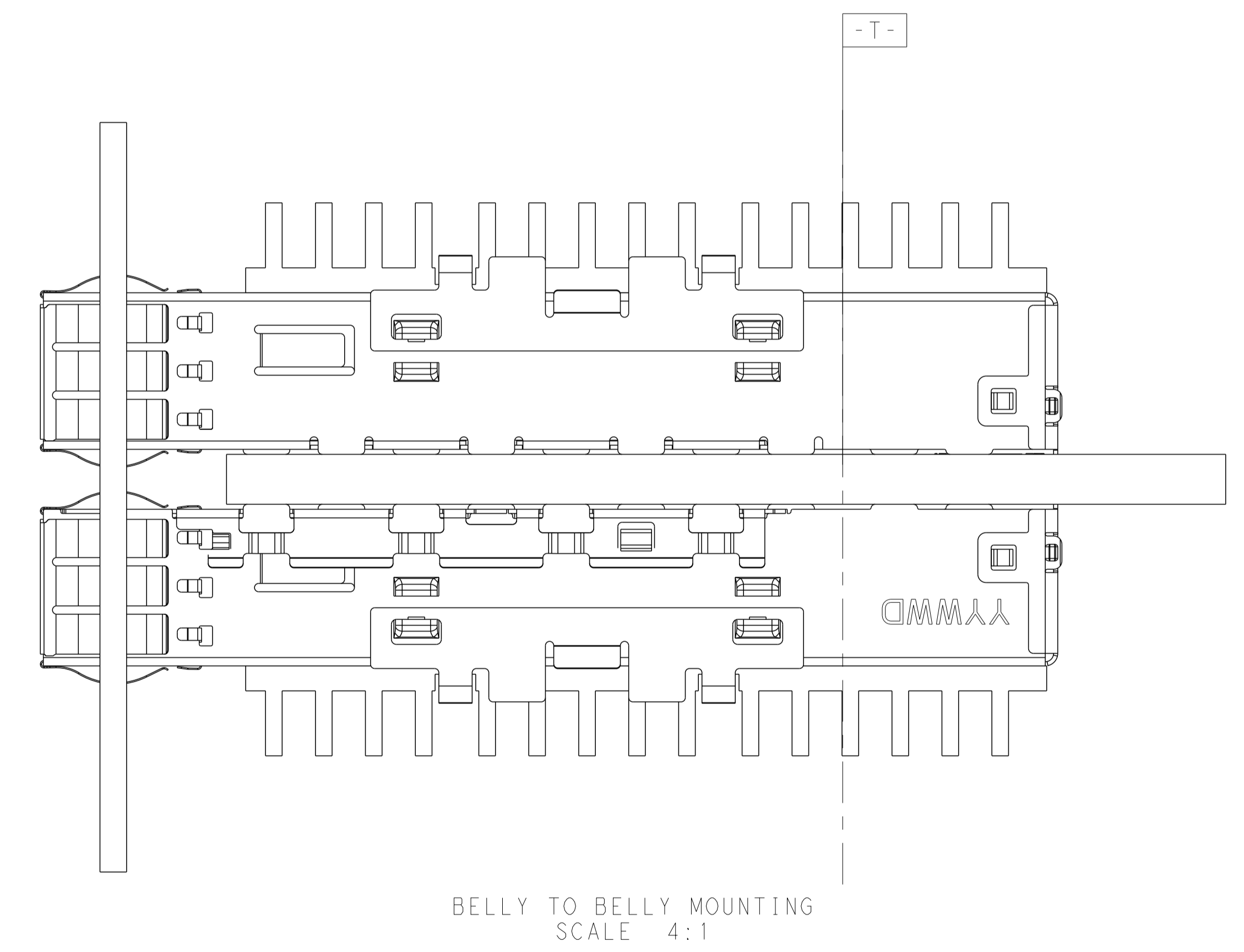
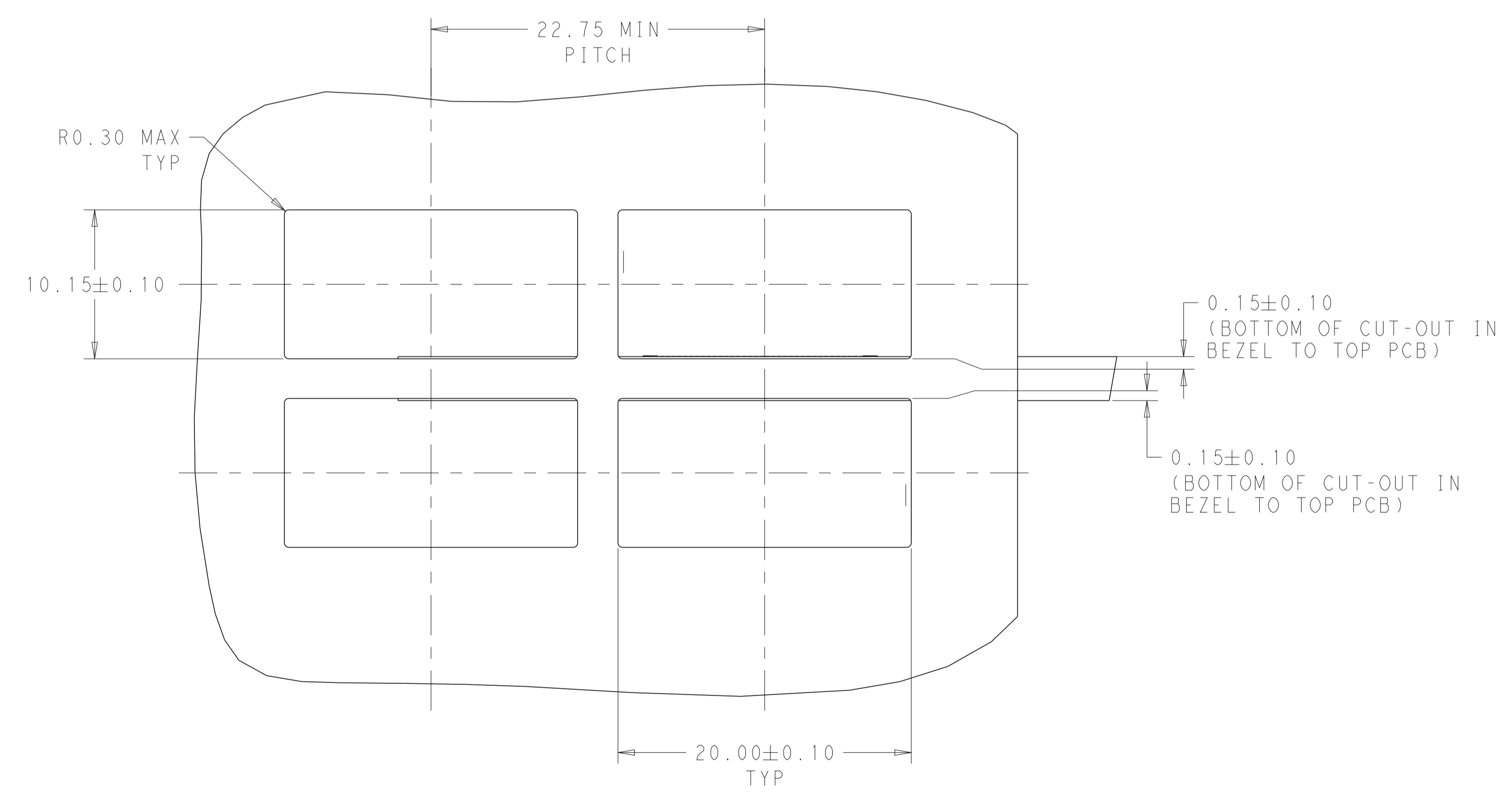
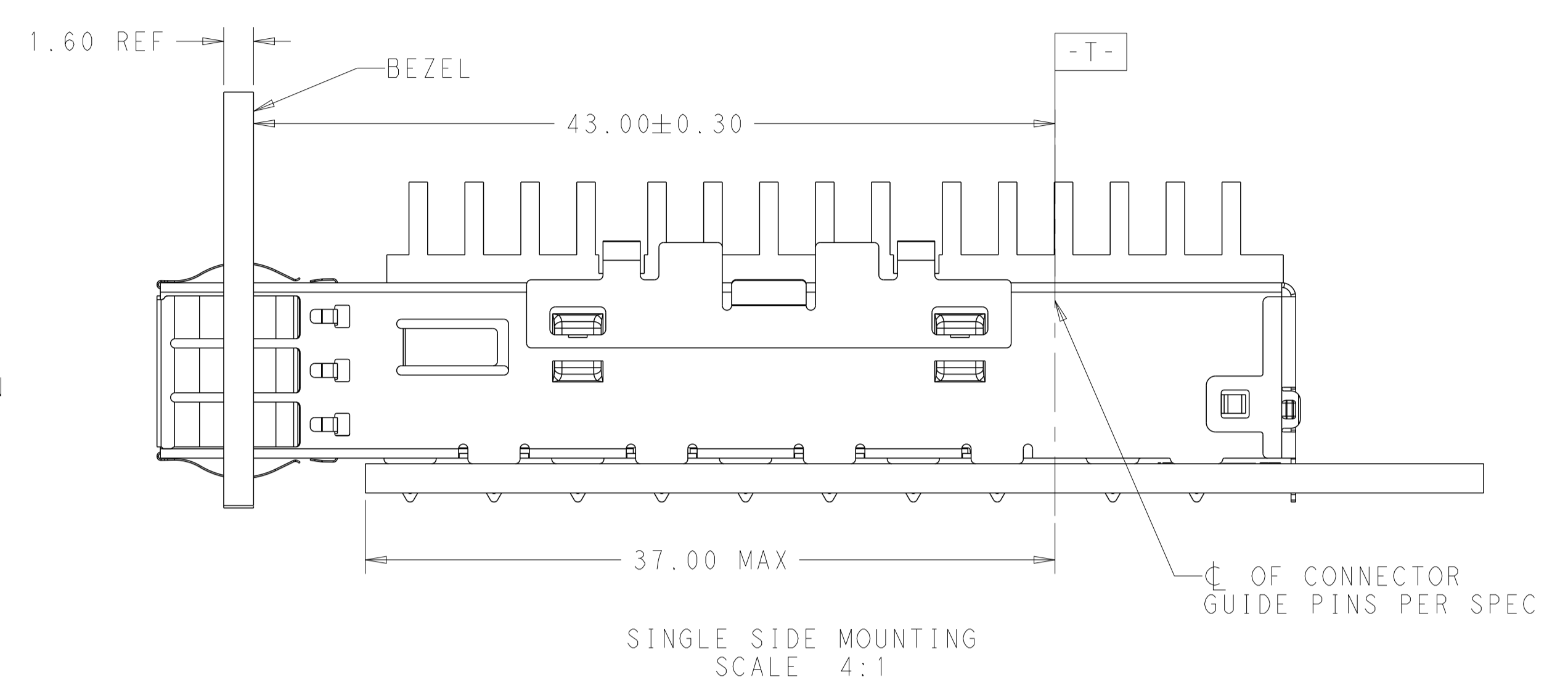
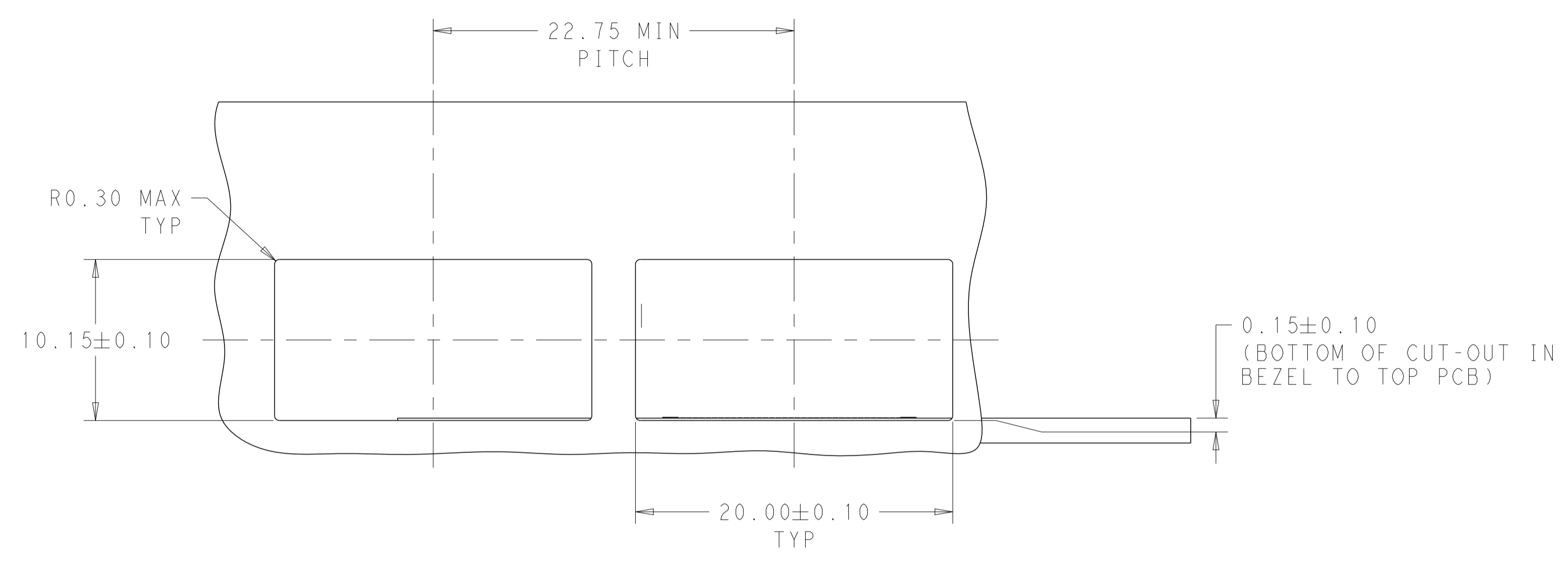


5-2170704-3 ARE AS SHOWN



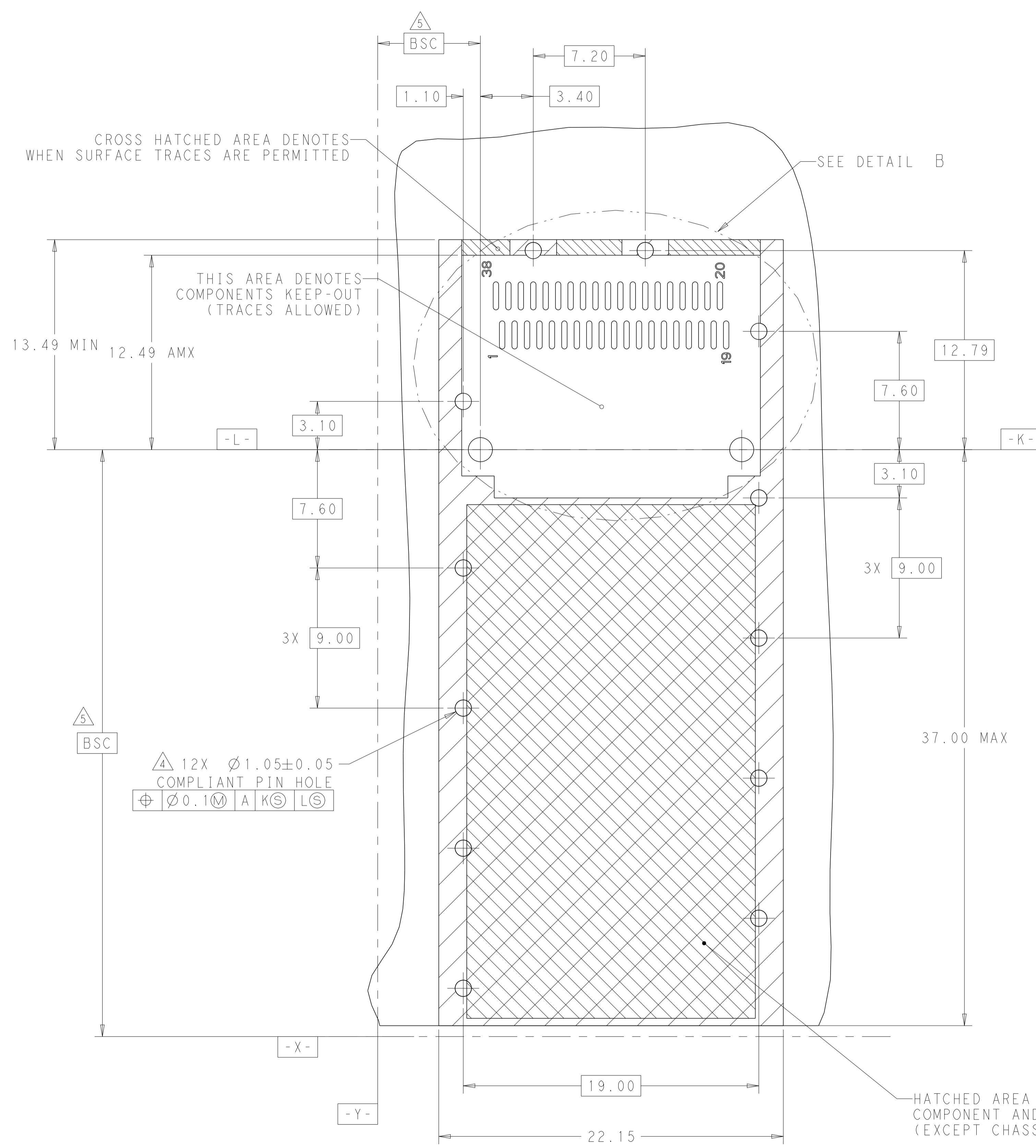
THIS DRAWING IS A CONTROLLED DOCUMENT.		OWN: JASON YANG 23SEP2013	TE Connectivity
		CHK: SEAN HAN 23SEP2013	
DIMENSIONS:		NAME: CAGE ASSEMBLY, QSFP28, THRU BEZEL WITH EMI SPRING FINGER HEAT SINK	
TOLERANCES UNLESS OTHERWISE SPECIFIED:		PRODUCT SPEC: 108-19428	
mm		APPLICATION SPEC:	
0 PLC ±0.25		SIZE: 114-32023	
1 PLC ±0.25		CAGE CODE: A100779	
2 PLC ±0.20		DRAWING NO: C=2170704	
3 PLC ±0.100		RESTRICTED TO:	
4 PLC ±		CUSTOMER DRAWING	
ANGLES: °		SCALE: 2:1	
FINISH:		SHEET: 6 OF 9	
		REV: G1	

LOC	DIST	REV	DATE	BY	APPV
-	-	1	SEE SHEET 1	-	-

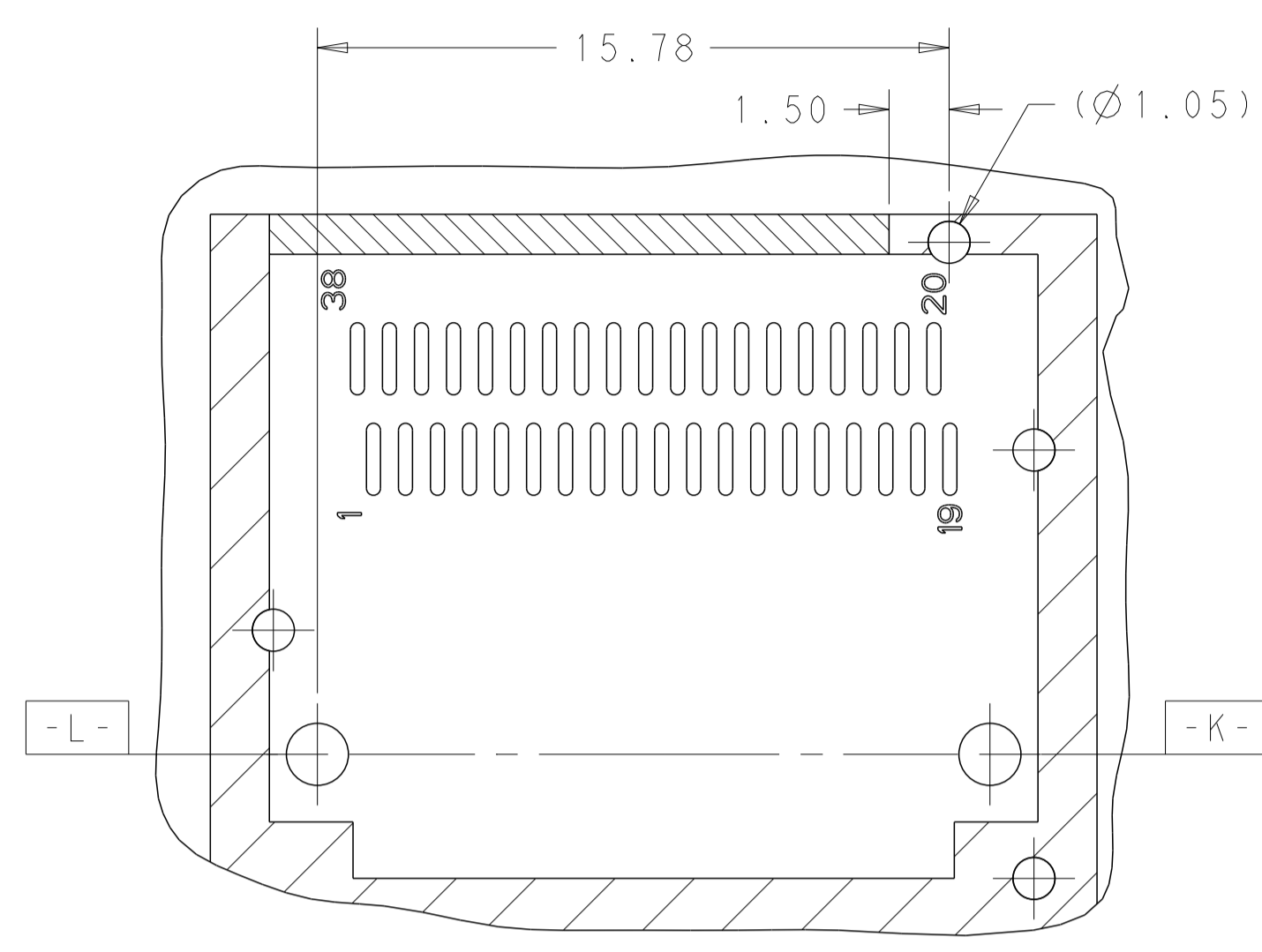


THIS DRAWING IS A CONTROLLED DOCUMENT.		OWN: JASON YANG 23SEP2013	TE Connectivity
DIMENSIONS: mm		CHK: SEAN HAN 23SEP2013	
TOLERANCES UNLESS OTHERWISE SPECIFIED:		APVD:	NAME: CAGE ASSEMBLY, QSFP28, THRU BEZEL WITH EMI SPRING FINGER HEAT SINK
0 PLC ±0.25	1 PLC ±0.25	PRODUCT SPEC	SIZE: 108-19428
2 PLC ±0.20	3 PLC ±0.100	APPLICATION SPEC	RESTRICTED TO:
4 PLC ±	ANGLES ±	114-32023	SIZE: A100779
MATERIAL:	FINISH:	WEIGHT:	CAGE CODE: C=2170704
CUSTOMER DRAWING		SCALE: 2:1	SHEET 7 OF 9

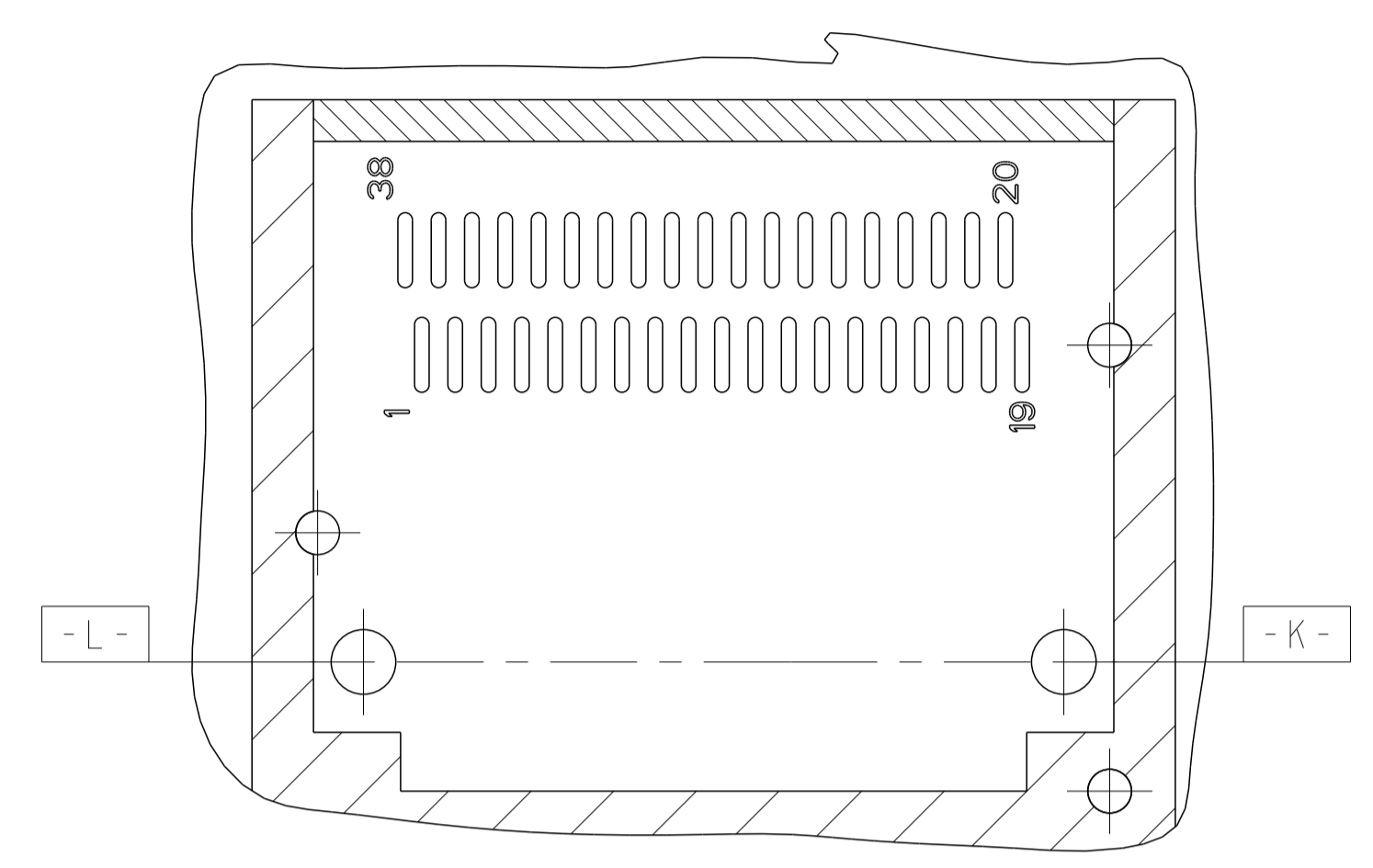
LOC		DIST		REVISIONS			
				DESCRIPTION	DATE	OWN	APVD
-	-	-	-	SEE SHEET 1	-	-	-



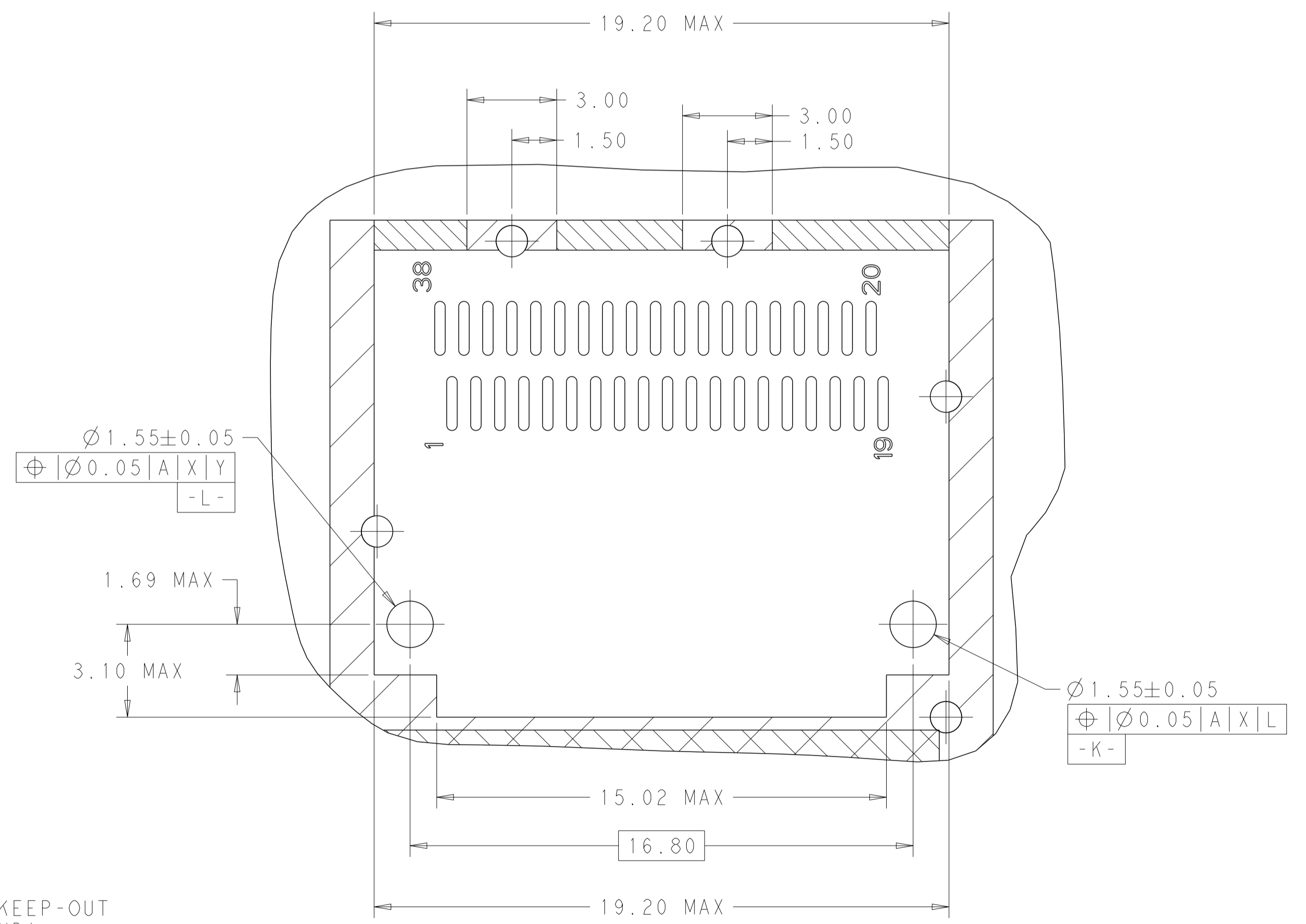
RECOMMENDED PCB LAYOUT
 SINGLE TYPE OF 2 REAR HOLES OF LEGS
 PCB TOLERANCE: ± 0.05
 SCALE 6:1



RECOMMENDED PCB LAYOUT
 SINGLE TYPE OF 1 REAR HOLES OF LEGS
 PCB TOLERANCE: ± 0.05
 SCALE 6:1



RECOMMENDED PCB LAYOUT
 SINGLE TYPE OF 0 REAR HOLES OF LEGS
 PCB TOLERANCE: ± 0.05
 SCALE 6:1

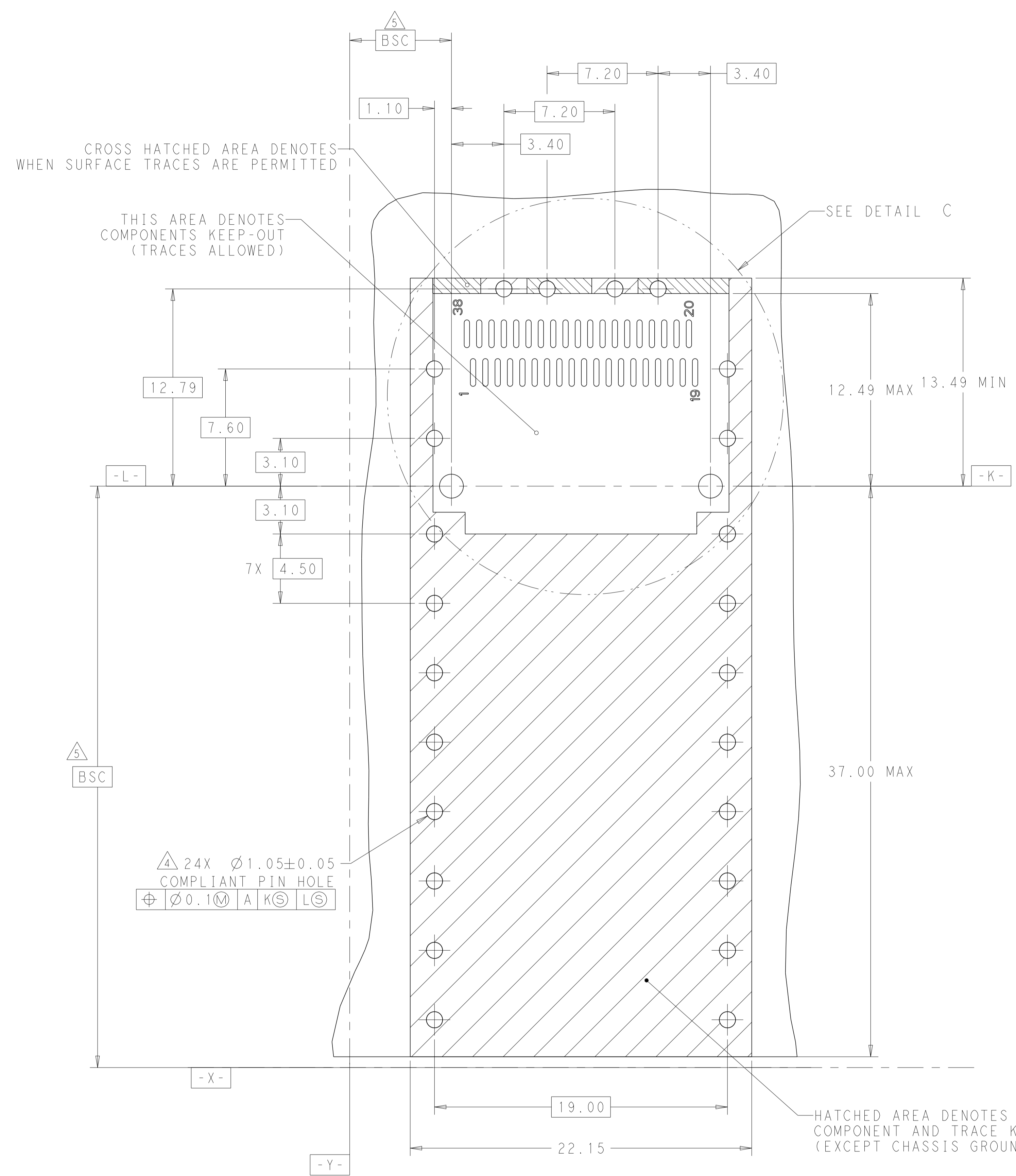


DETAIL B
 SCALE 8:1

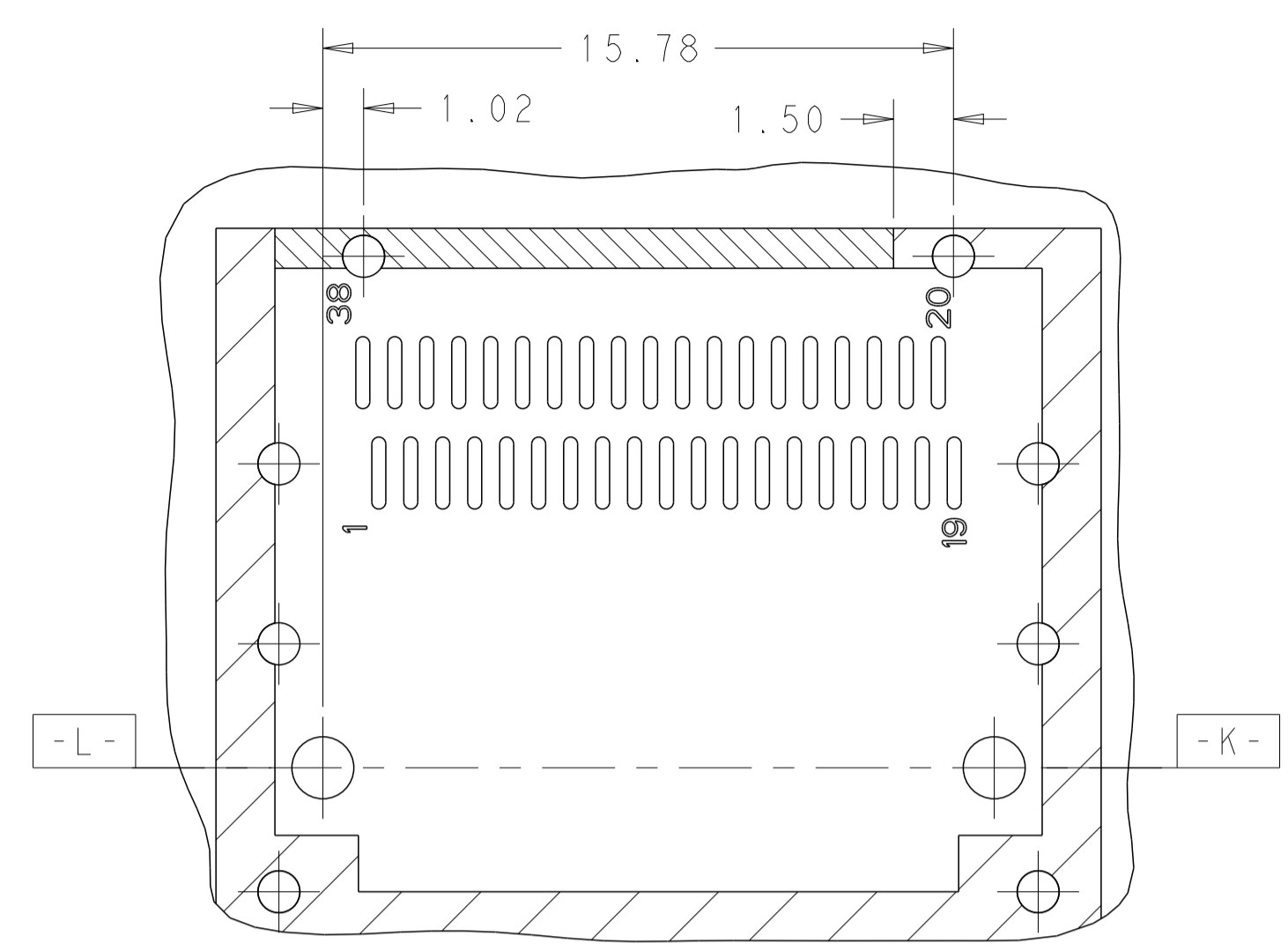
HATCHED AREA DENOTES COMPONENT AND TRACE KEEP-OUT (EXCEPT CHASSIS GROUND)

THIS DRAWING IS A CONTROLLED DOCUMENT.		OWN JASON YANG 23SEP2013	TE Connectivity
DIMENSIONS: mm		CHK SEAN HAN 23SEP2013	
TOLERANCES UNLESS OTHERWISE SPECIFIED:		APVD	NAME
0 PLC ± 0.25	1 PLC ± 0.25	2 PLC ± 0.25	3 PLC ± 0.25
4 PLC ± 0.100	ANGLES \pm	PRODUCT SPEC 108-19428	
MATERIAL		FINISH	APPLICATION SPEC
WEIGHT		114-32023	SIZE CAGE CODE DRAWING NO
CUSTOMER DRAWING		A100779	C=2170704
SCALE 2:1		SHEET 8	OF 9
REV G1			

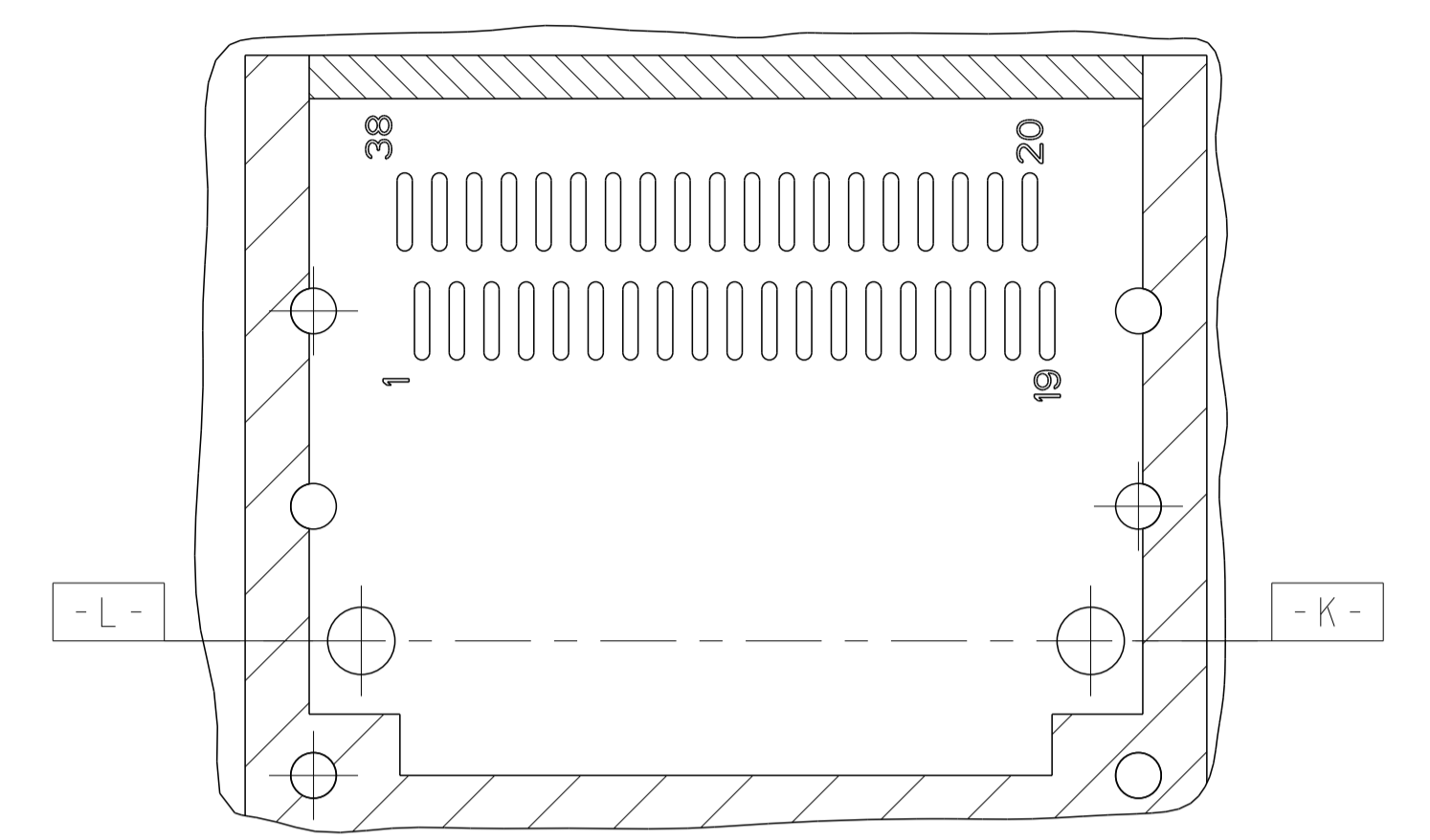
LOC	DIST	REV	DATE	BY	APPV
-	-	1	SEE SHEET 1	-	-



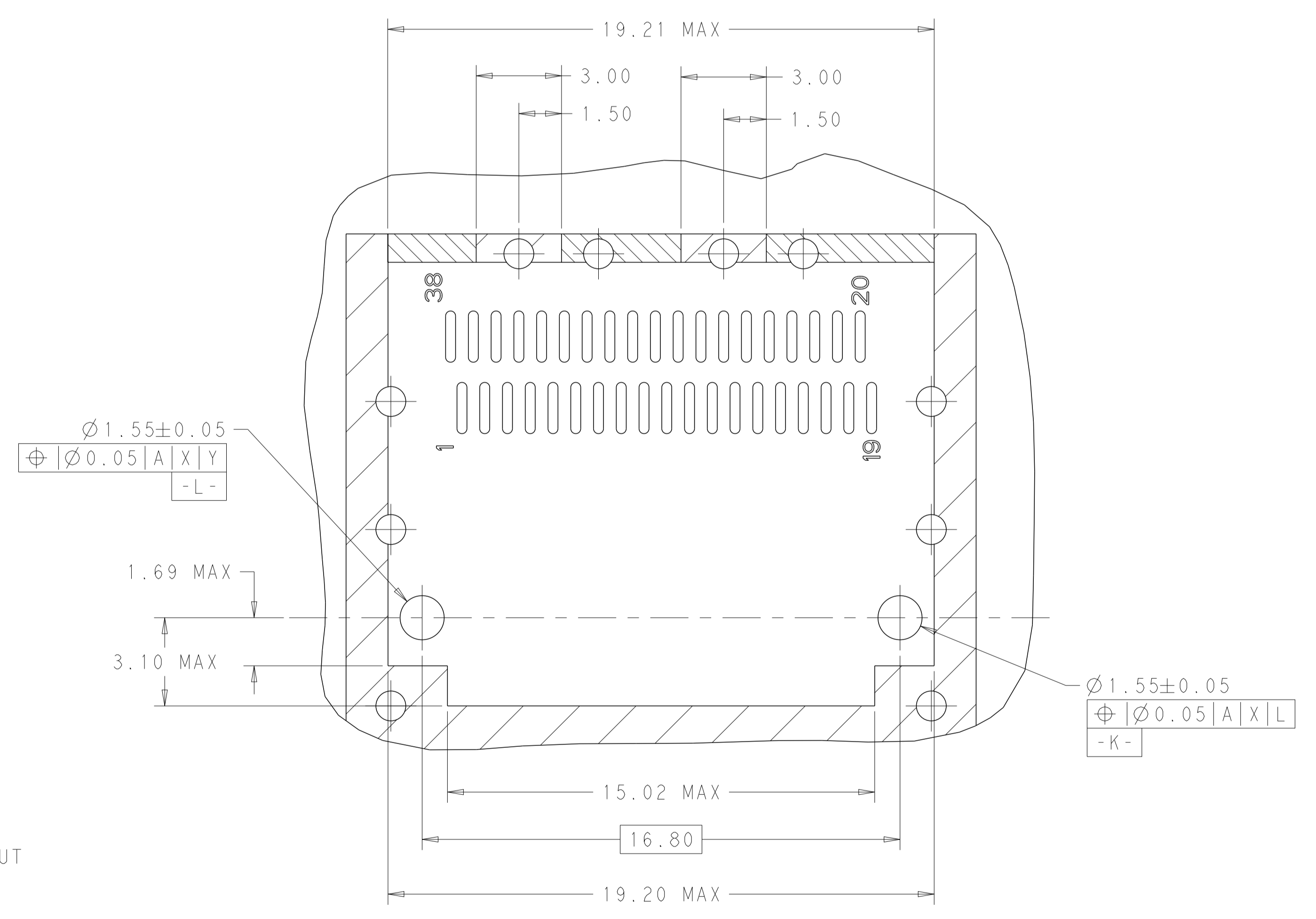
RECOMMENDED PCB LAYOUT
BELLY TO BELLY TYPE OF 2 REAR HOLES OF LEGS
PCB TOLERANCE: ±0.05
SCALE 6:1



RECOMMENDED PCB LAYOUT
BELLY TO BELLY TYPE OF 1 REAR HOLES OF LEGS
PCB TOLERANCE: ±0.05
SCALE 6:1



RECOMMENDED PCB LAYOUT
BELLY TO BELLY TYPE OF 0 REAR HOLES OF LEGS
PCB TOLERANCE: ±0.05
SCALE 6:1



DETAIL C
SCALE 8:1

THIS DRAWING IS A CONTROLLED DOCUMENT.		OWN: JASON YANG 23SEP2013	TE Connectivity
DIMENSIONS: mm		CHK: SEAN HAN 23SEP2013	
TOLERANCES UNLESS OTHERWISE SPECIFIED:		APVD:	NAME: CAGE ASSEMBLY, QSFP28, THRU BEZEL WITH EMI SPRING FINGER HEAT SINK
0 PLC ±0.25	1 PLC ±0.25	PRODUCT SPEC: 108-19428	SIZE: A1
2 PLC ±0.20	3 PLC ±0.100	APPLICATION SPEC: 114-32023	CAGE CODE: 100779
4 PLC ±0.100	ANGLES ±°	WEIGHT: -	DRAWING NO: C=2170704
MATERIAL: -	FINISH: -	CUSTOMER DRAWING	SCALE: 2:1
4805 (3/11)		SHEET 9 of 9 REV G1	