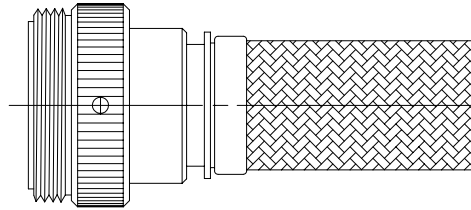


REVISIONS			
LTR	DESCRIPTION	DATE	APPROVED
A	REVISED PER ECN AD93032		



CODE 24, SHIELDED STRAIGHT ADAPTER

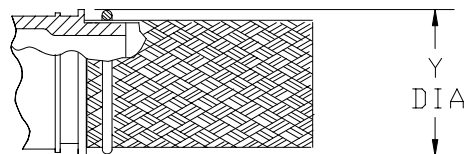
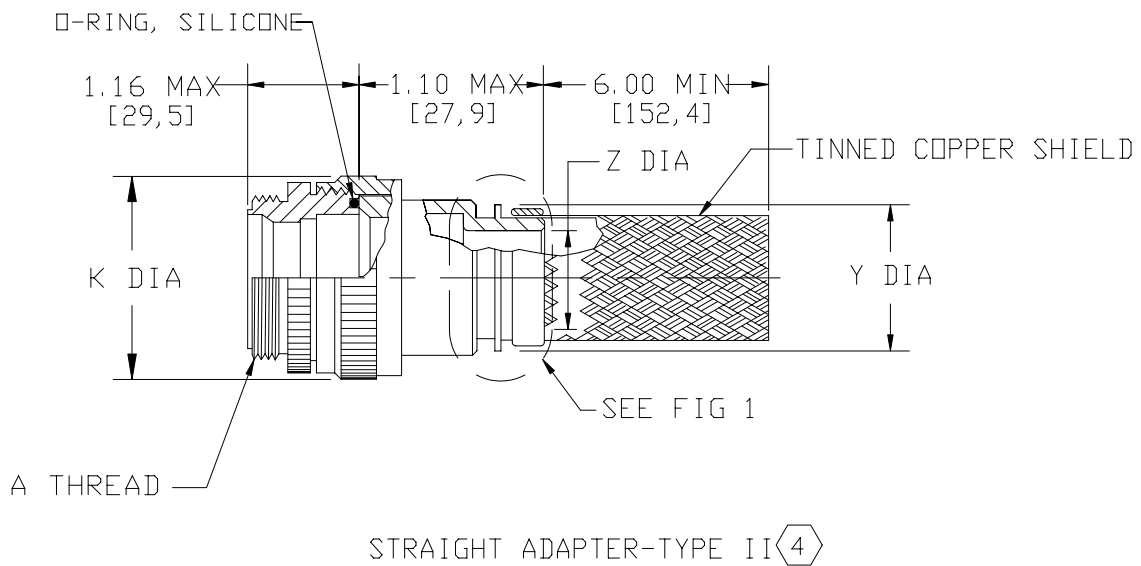
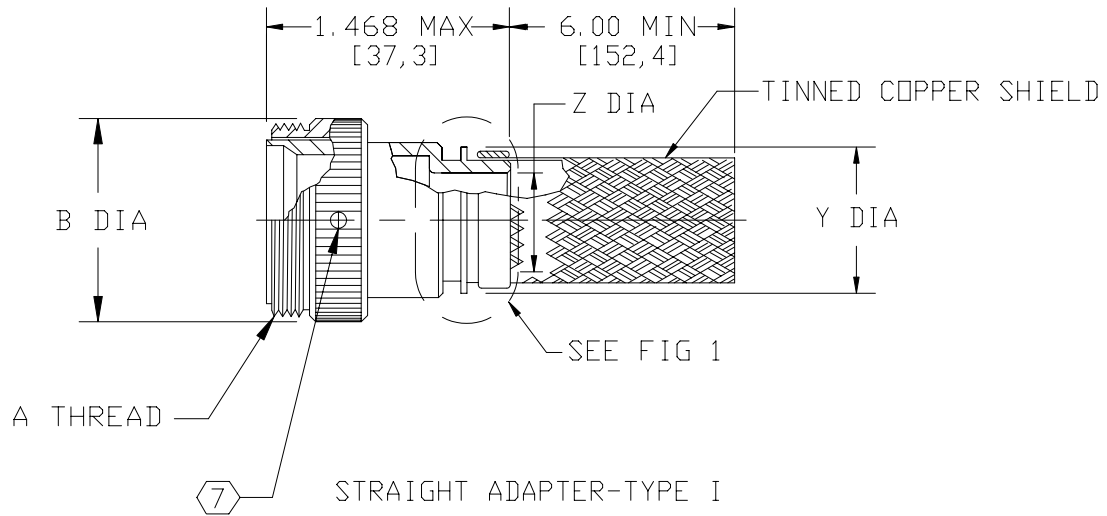
NOTES:

1. THIS PRODUCT IS DESIGNED TO TERMINATE A HEAT SHRINKABLE LIPPED BOOT TO A CONNECTOR.
2. FOR ADDITIONAL DIMENSIONS, ORDERING INFORMATION AND MODIFICATIONS SEE CH00-0250-004.
3. ADAPTER TO BE PERMANENTLY MARKED WITH CODE IDENT. NO. AND PART NO. (E.G.: 06090-216M012-19A06).
- ④ FOR LARGER ENTRY SIZES A 2 PIECE ADAPTER (TYPE II) IS SUPPLIED
- ⑤ BRAID TERMINATION RING MAY BE SUPPLIED AS TINEL-LOCK SHAPE MEMORY RING AT MANUFACTURER'S OPTION.
- ⑥ ADAPTER MATES TO MIL-C-26482, MS3114 & MS3124 RECEPTACLE CONNECTORS.
- ⑦ ANTI-ROTATIONAL SET SCREW, 3 THREADED HOLES $120^\circ \pm 5^\circ$ APART, SINGLE MATING SET SCREW SUPPLIED: AN565DC4H2, NOT REQUIRED FOR TYPE II ADAPTERS.

If this document is printed it becomes uncontrolled.
Check for the latest revision.

SPECIFICATION CONTROL DRAWING

UNLESS OTHERWISE SPECIFIED DIMENSIONS ARE IN INCHES. METRIC DIMENSIONS ARE IN BRACKETS. DECIMALS .XXX ± — [mm] .XX ± — [mm] .X ± — [mm] ANGLES .X ± —	DRAWN G. ROSITANO	DATE 05-24-94		Tyco Electronics Corporation 300 Constitution Drive Menlo Park, CA. 94025 U.S.A.	
	CHECKED	DATE			
	APPROVED	DATE	TITLE ADAPTER, SHIELD, STRAIGHT CODE 24		
	APPROVED	DATE			
CAD NAME \ACAD12\216M0XX		SIZE A	CODE IDENT. NO. 06090	DWG. NO. 216M0XX	REV A
THIRD ANGLE PROJECTION		DO NOT SCALE THIS DWG			



TINEL-LOCK TERMINATION

FIG 1 5

If this document is printed it becomes uncontrolled.
Check for the latest revision.

SIZE	CODE IDENT. NO.	DWG. NO.	REV
A	06090	216M0XX	A
DO NOT SCALE THIS DWG		CAD NAME \ACAD12\216M0X-2	SHEET 2 OF 3

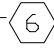

TABLE I				
BASE PART NO.	SHELL SIZE 	MAX ENTRY SIZE TYPE I 	A R. H. THREAD CLASS 2A	B DIA MAX
216M008	8	04	.625-24 UNEF	.781 [19,84]
216M010	10	06	.750-20 UNEF	.906 [23,01]
216M012	12	08	.875-20 UNEF	1.031 [26,19]
216M014	14	10	1.000-20 UNEF	1.156 [29,36]
216M016	16	12	1.125-18 UNEF	1.281 [32,54]
216M018	18	14	1.250-18 UNEF	1.406 [35,71]
216M020	20	15	1.375-18 UNEF	1.531 [38,89]
216M022	22	18	1.500-18 UNEF	1.656 [42,06]
216M024	24	18	1.625-18 UNEF	1.781 [45,24]

TABLE II			
ENTRY SIZE	K MAX	Z ±.020 [±0.51]	Y DIA MIN
03	NA	.187 [4,75]	.393 [9,98]
04	NA	.250 [6,35]	.456 [11,58]
05	.80 [20,3]	.312 [7,92]	.515 [13,08]
06	.80 [20,3]	.375 [9,53]	.581 [14,76]
07	.92 [23,4]	.438 [11,13]	.643 [16,33]
08	.92 [23,4]	.500 [12,70]	.705 [17,91]
09	1.18 [30,0]	.562 [14,27]	.705 [17,91]
10	1.18 [30,0]	.625 [15,88]	.831 [21,11]
11	1.18 [30,0]	.688 [17,48]	.893 [22,68]
12	1.35 [34,3]	.750 [19,05]	.953 [24,21]
13	1.41 [35,8]	.812 [20,62]	.953 [24,21]
14	1.41 [35,8]	.875 [22,23]	1.081 [27,46]
15	1.60 [40,6]	.938 [23,83]	1.143 [29,03]
16	1.60 [40,6]	1.000 [25,40]	1.205 [30,61]
18	1.66 [42,2]	1.125 [28,58]	1.381 [35,08]
20	2.04 [51,8]	1.250 [31,75]	1.506 [38,25]
22	2.23 [56,6]	1.375 [34,93]	1.631 [41,43]
24	2.23 [56,6]	1.500 [38,10]	1.756 [44,60]
28	2.48 [63,0]	1.750 [44,45]	2.004 [50,90]

If this document is printed it becomes uncontrolled.
Check for the latest revision.

SIZE A	CODE IDENT. NO. 06090	DWG. NO. 216M0XX	REV A
DO NOT SCALE THIS DWG		CAD NAME \ACAD12\216M0X-3	SHEET 3 OF 3