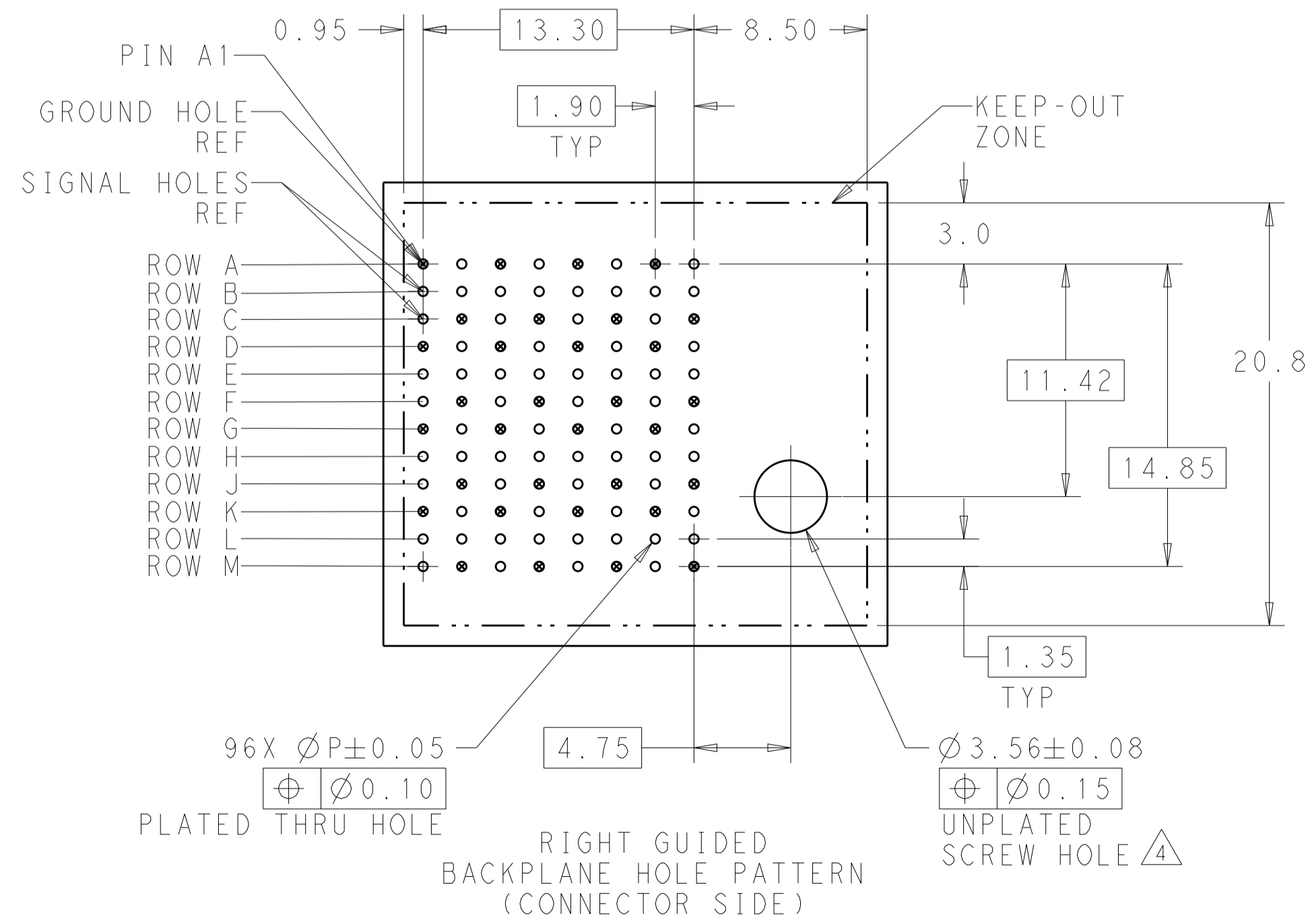
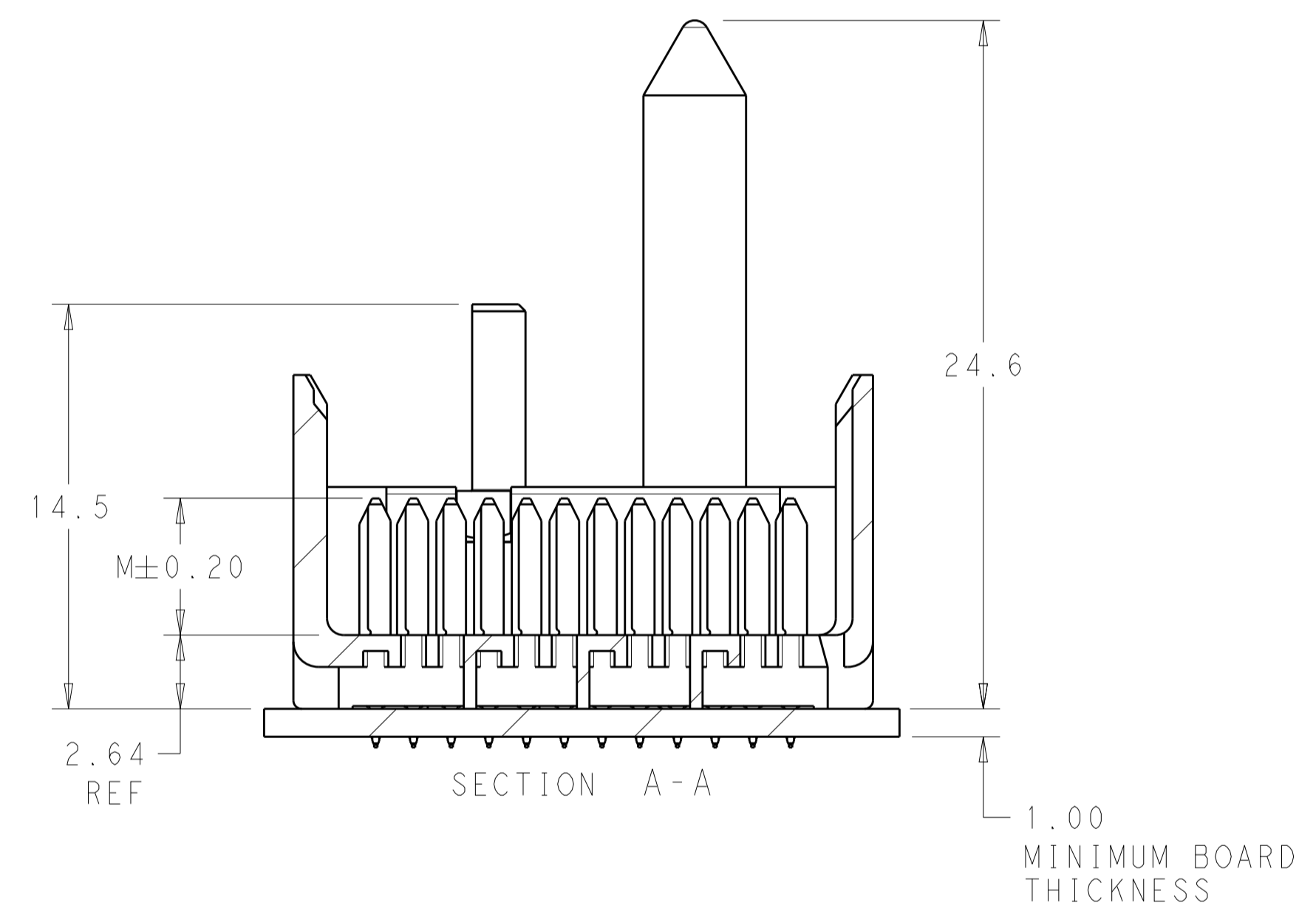
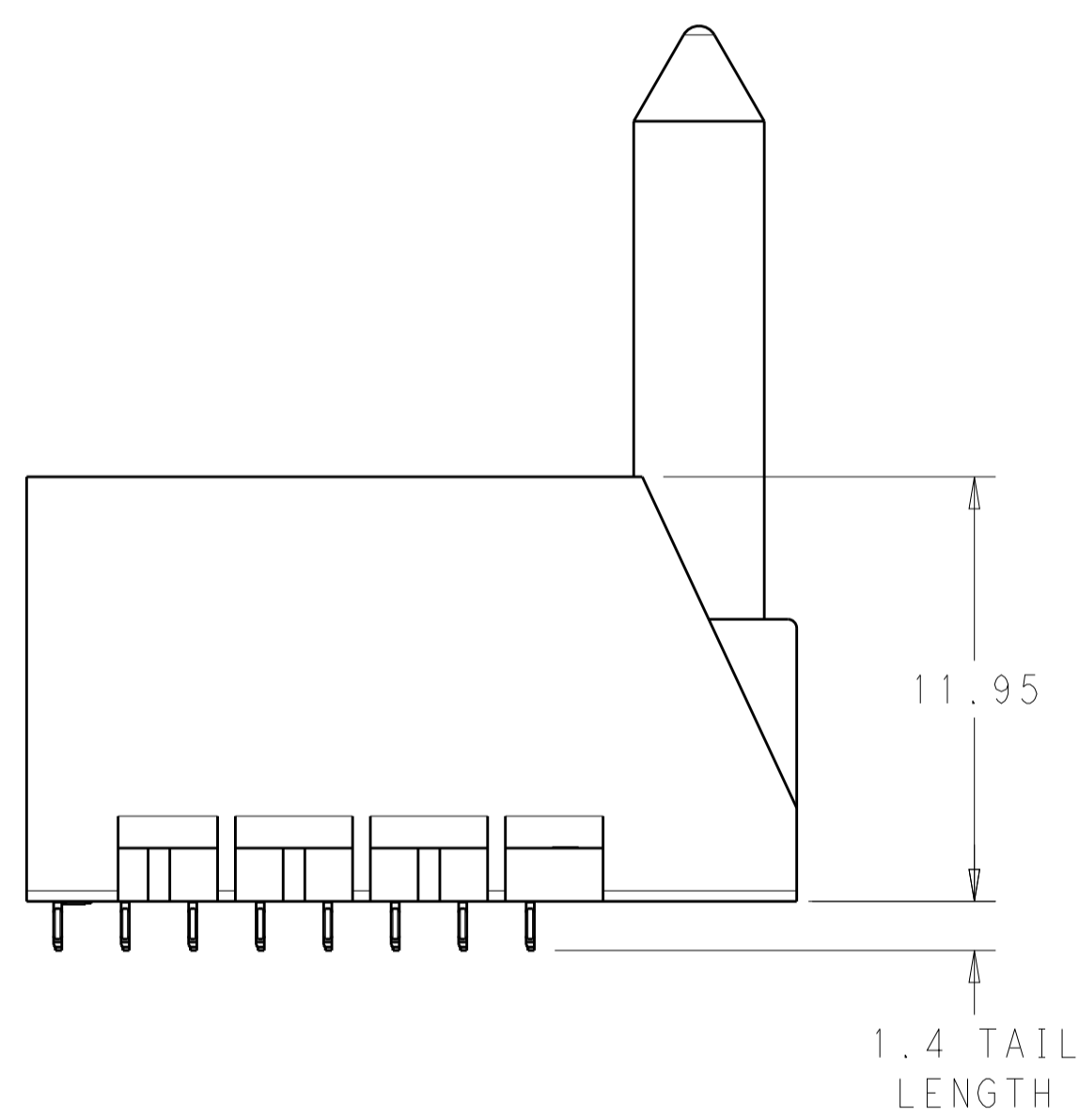
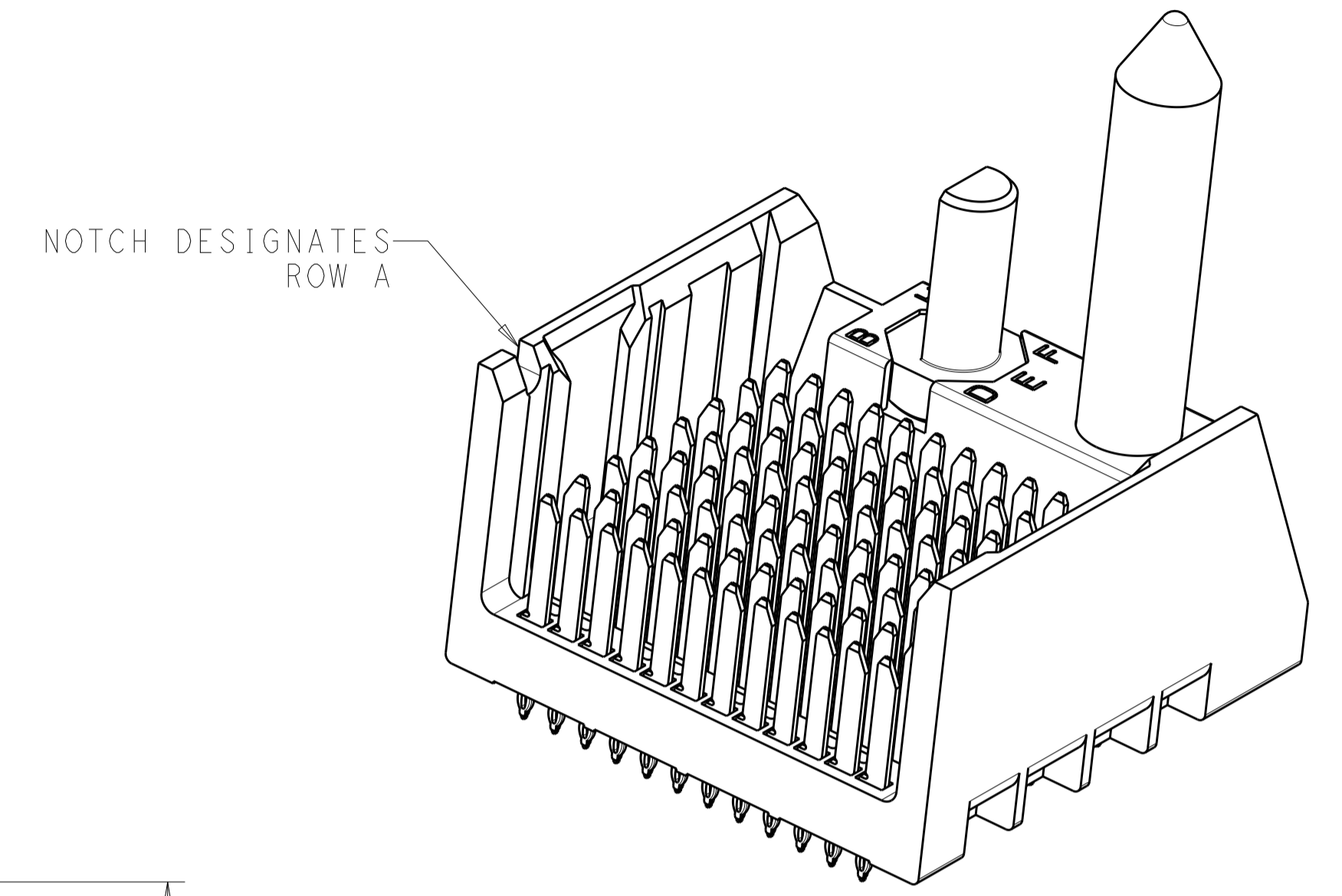
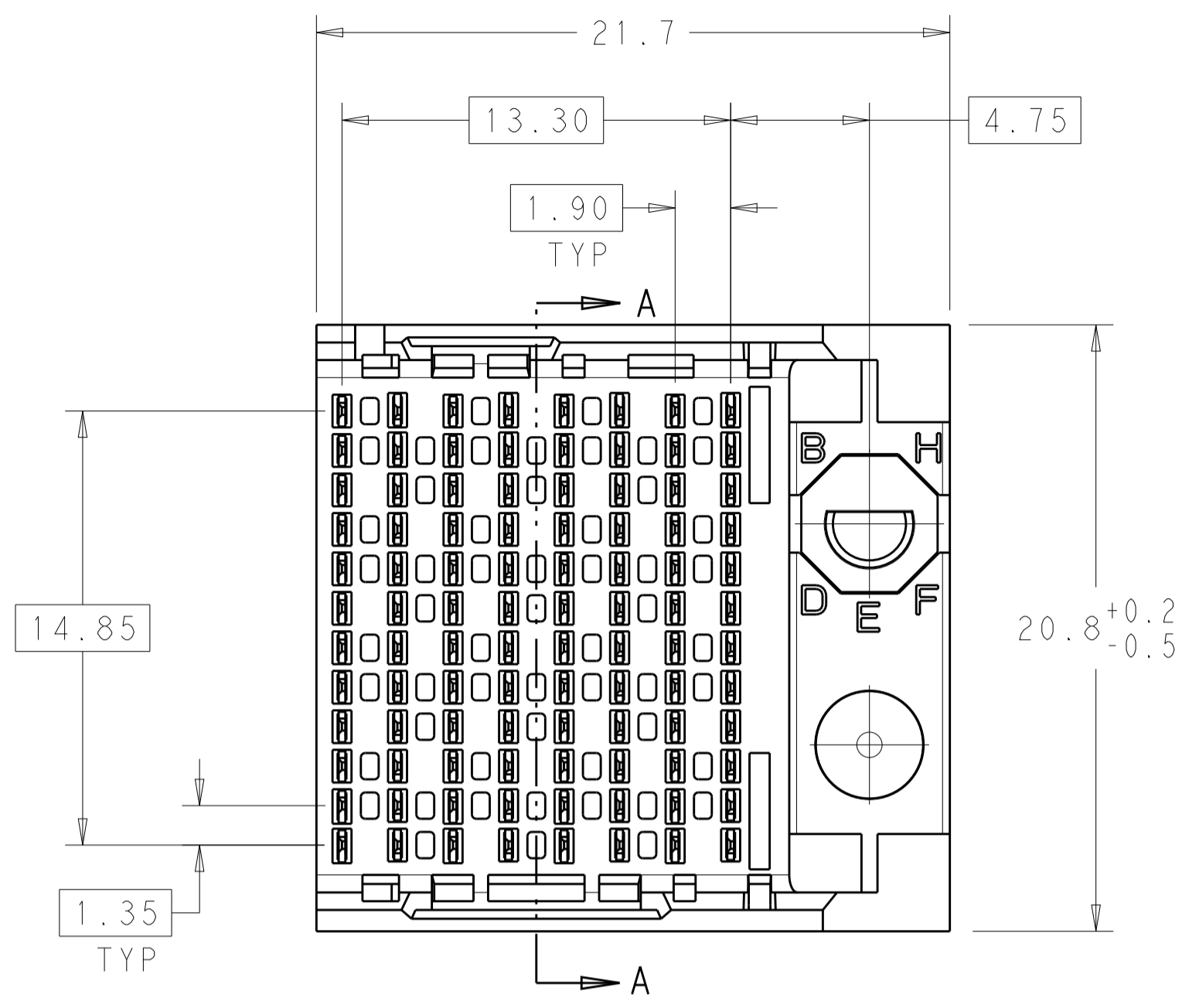


LOC		DIST		REVISONS			
P	LTN	DESCRIPTION	DATE	DWN	APVD		
A		REVISED PER ECO-15-003242	24MAR2015	AP	DD		

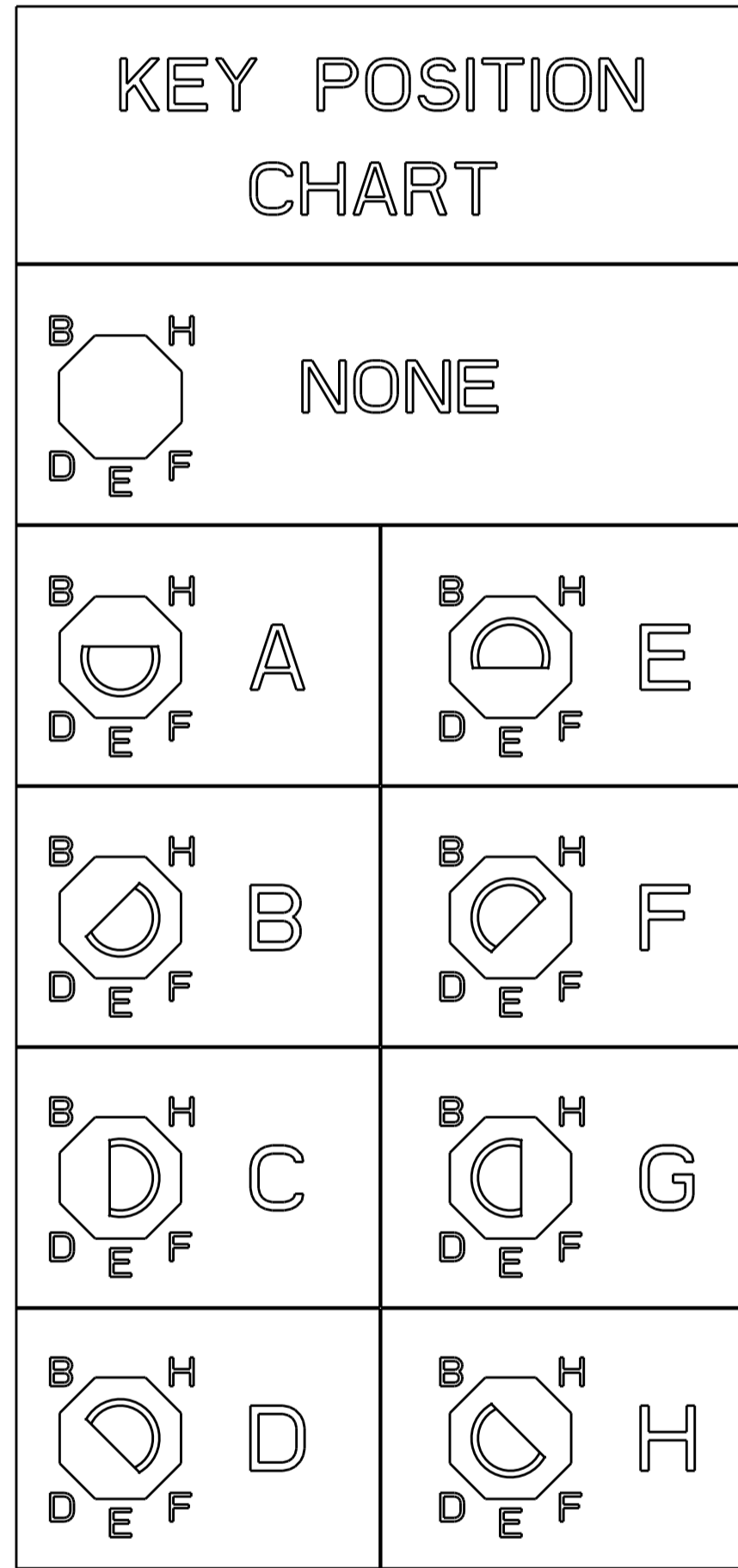


THIS DRAWING IS A CONTROLLED DOCUMENT.		DWN: B. CARBO	12DEC2012	TE Connectivity
DIMENSIONS: mm		CHK: D. DIXON	12DEC2012	
TOLERANCES UNLESS OTHERWISE SPECIFIED:		APVD: D. DIXON	12DEC2012	NAME: IMPACT, 85 OHM, STANDARD, 4 PAIR PLUS, 8 COLUMN HEADER, RIGHT GUIDED, OPEN ENDWALL, SIGNAL MODULE
0 PLC ± 1 PLC ±0.25 2 PLC ±0.13 3 PLC ± 4 PLC ± ANGLES ±		PRODUCT SPEC	APPLICATION SPEC	
MATERIAL: SEE TABLE		SIZE: A100779	DRAWING NO: C=2169627	RESTRICTED TO: -
Customer Drawing		SCALE: 5:1	SHEET: 1 OF 2	REV: A

LOC	DIST	REVISIONS			
AD	00	REV	DATE	BY	APPV
-	-	SEE SHEET 1	-	-	-

H	0.46	5.5	8-2169627-6
H	0.46	4.9	8-2169627-5
H	0.46	4.5	8-2169627-4
H	0.39	5.5	8-2169627-3
H	0.39	4.9	8-2169627-2
H	0.39	4.5	8-2169627-1
G	0.46	5.5	7-2169627-6
G	0.46	4.9	7-2169627-5
G	0.46	4.5	7-2169627-4
G	0.39	5.5	7-2169627-3
G	0.39	4.9	7-2169627-2
G	0.39	4.5	7-2169627-1
F	0.46	5.5	6-2169627-6
F	0.46	4.9	6-2169627-5
F	0.46	4.5	6-2169627-4
F	0.39	5.5	6-2169627-3
F	0.39	4.9	6-2169627-2
F	0.39	4.5	6-2169627-1
E	0.46	5.5	5-2169627-6
E	0.46	4.9	5-2169627-5
E	0.46	4.5	5-2169627-4
E	0.39	5.5	5-2169627-3
E	0.39	4.9	5-2169627-2
E	0.39	4.5	5-2169627-1
D	0.46	5.5	4-2169627-6
D	0.46	4.9	4-2169627-5
D	0.46	4.5	4-2169627-4
D	0.39	5.5	4-2169627-3
D	0.39	4.9	4-2169627-2
D	0.39	4.5	4-2169627-1
C	0.46	5.5	3-2169627-6
C	0.46	4.9	3-2169627-5
C	0.46	4.5	3-2169627-4
C	0.39	5.5	3-2169627-3
C	0.39	4.9	3-2169627-2
C	0.39	4.5	3-2169627-1
B	0.46	5.5	2-2169627-6
B	0.46	4.9	2-2169627-5
B	0.46	4.5	2-2169627-4
B	0.39	5.5	2-2169627-3
B	0.39	4.9	2-2169627-2
B	0.39	4.5	2-2169627-1
A	0.46	5.5	1-2169627-6
A	0.46	4.9	1-2169627-5
A	0.46	4.5	1-2169627-4
A	0.39	5.5	1-2169627-3
A	0.39	4.9	1-2169627-2
A	0.39	4.5	1-2169627-1
-	0.46	5.5	2169627-6
-	0.46	4.9	2169627-5
-	0.46	4.5	2169627-4
-	0.39	5.5	2169627-3
-	0.39	4.9	2169627-2
-	0.39	4.5	2169627-1
KEY POSITION	P PLATED THROUGH HOLE SIZE	M POST LENGTH	PART NUMBER

- 1 MATERIAL:  
HOUSING: LCP, GLASS FILLED, UL94V-0.  
TERMINALS: HIGH PERFORMANCE COPPER ALLOY.
- 2 FINISH:  
30μ" MIN GOLD IN CONTACT AREA. SELECTIVE TIN  
ON PCB TAILS, NICKEL OVERALL.
- 3. SCREWS PACKAGED IN END OF PACKAGING TUBE.
- 4 FOR GROUNDED GUIDE PIN USE Ø3.56±0.08 PTH,  
Ø3.66 DRILL, AND Ø6.5 PAD.
- 5. KEYING PIN SHOWN IN POSITION A, SEE KEYING CHART  
ON SHEET 2 FOR OTHER POSITIONS.



REFER TO WWW.TE.COM  
FOR PRODUCT AVAILABILITY

THIS DRAWING IS A CONTROLLED DOCUMENT.		OWN: B. CARBO 12DEC2012	<b>STE</b> TE Connectivity
DIMENSIONS: mm		CHK: D. DIXON 12DEC2012	
TOLERANCES UNLESS OTHERWISE SPECIFIED:		APPV: D. DIXON 12DEC2012	
0 PLC ±0.25	1 PLC ±0.13	2 PLC ±0.13	NAME: IMPACT, 85 OHM, STANDARD, 4 PAIR PLUS, 8 COLUMN HEADER, RIGHT GUIDED, OPEN ENDWALL, SIGNAL MODULE
3 PLC ±0.13	4 PLC ±0.13	5 PLC ±0.13	PRODUCT SPEC
6 PLC ±0.13	7 PLC ±0.13	8 PLC ±0.13	APPLICATION SPEC
ANGLES	FINISH	WEIGHT	SIZE: CAGE CODE DRAWING NO: A100779C=2169627
SEE TABLE	SEE TABLE	Customer Drawing	RESTRICTED TO
		SCALE: 5:1	SHEET 2 OF 2 REV A