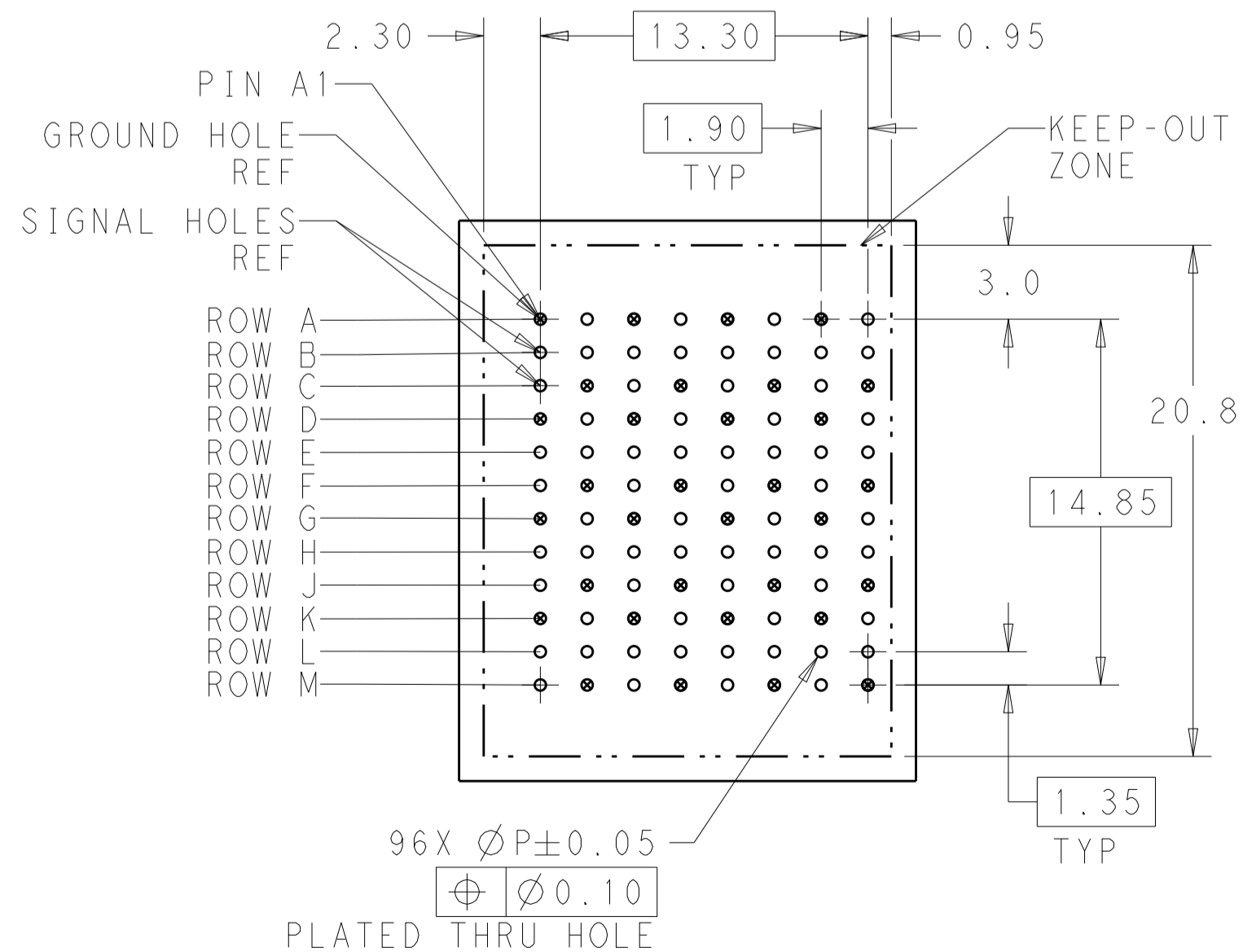
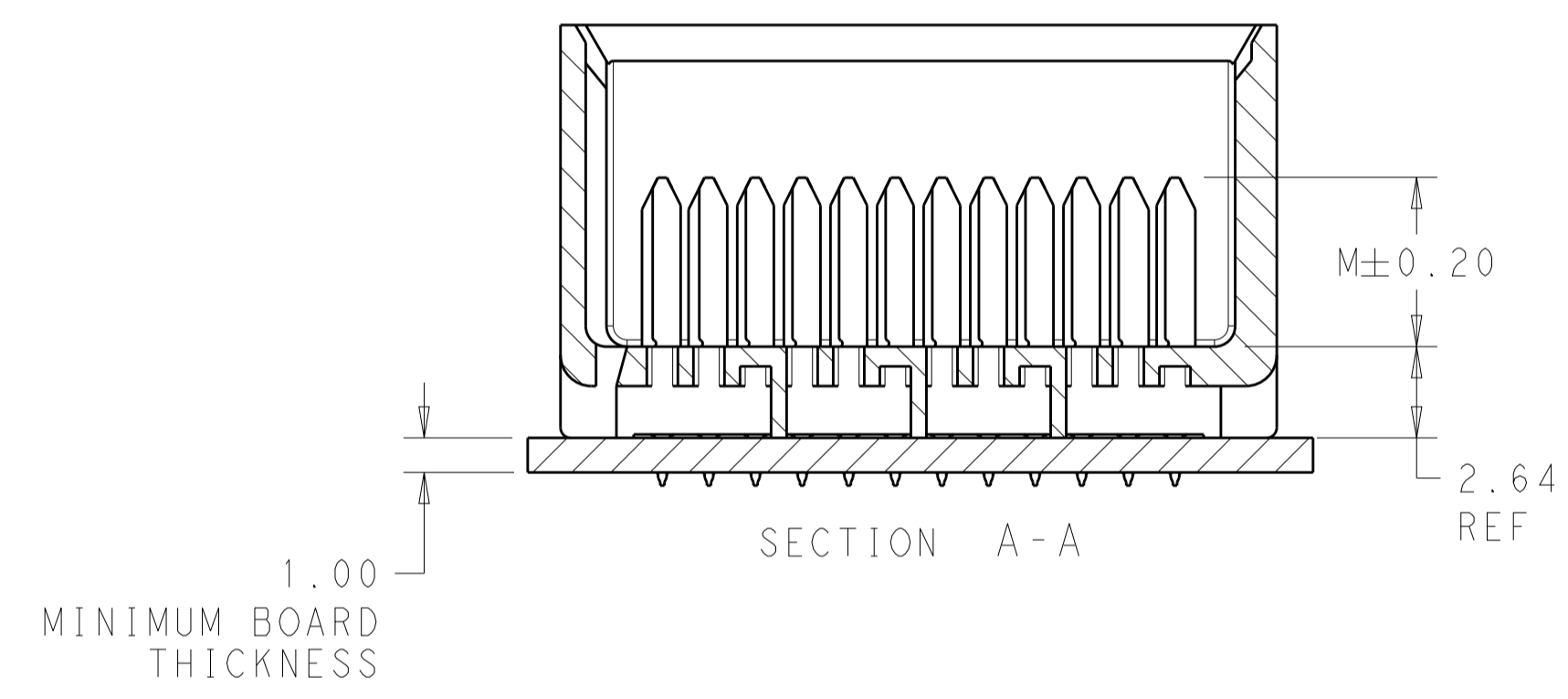
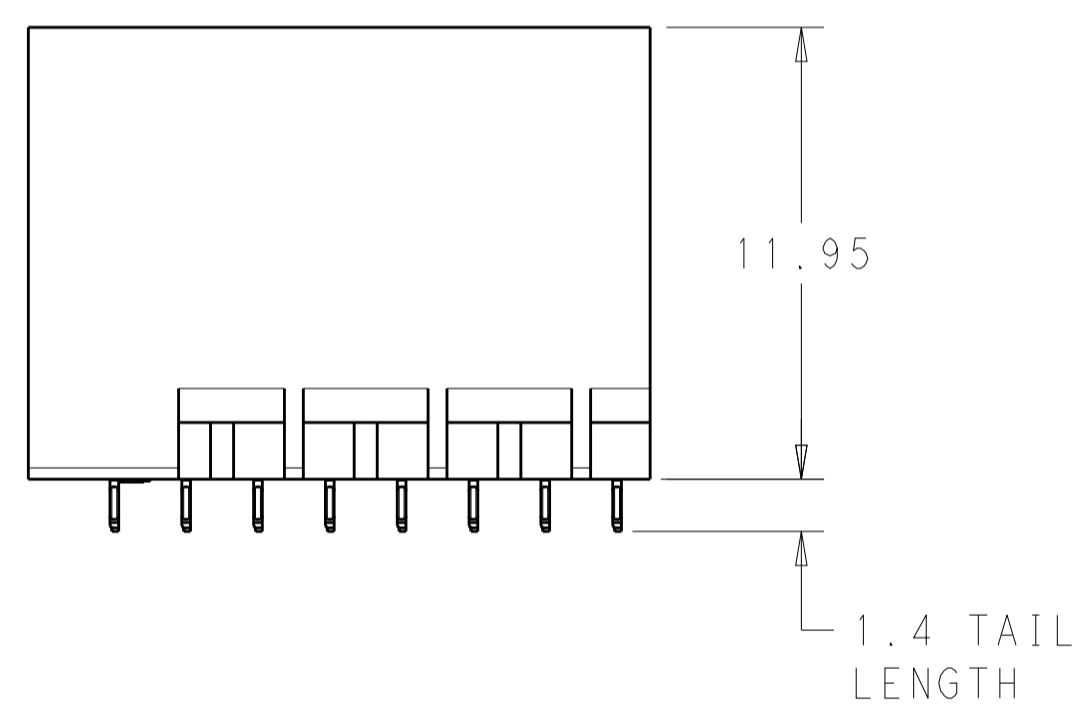
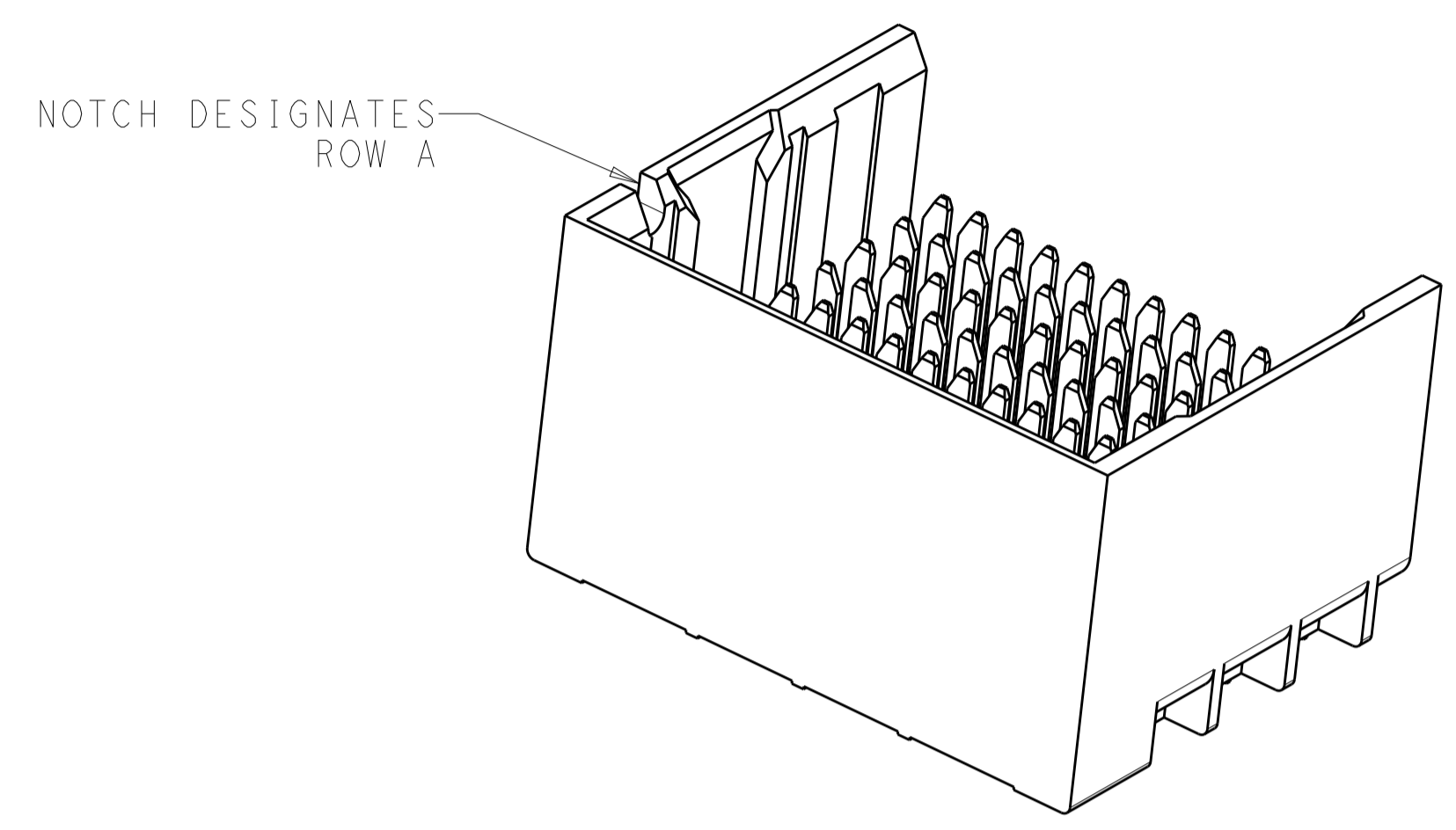
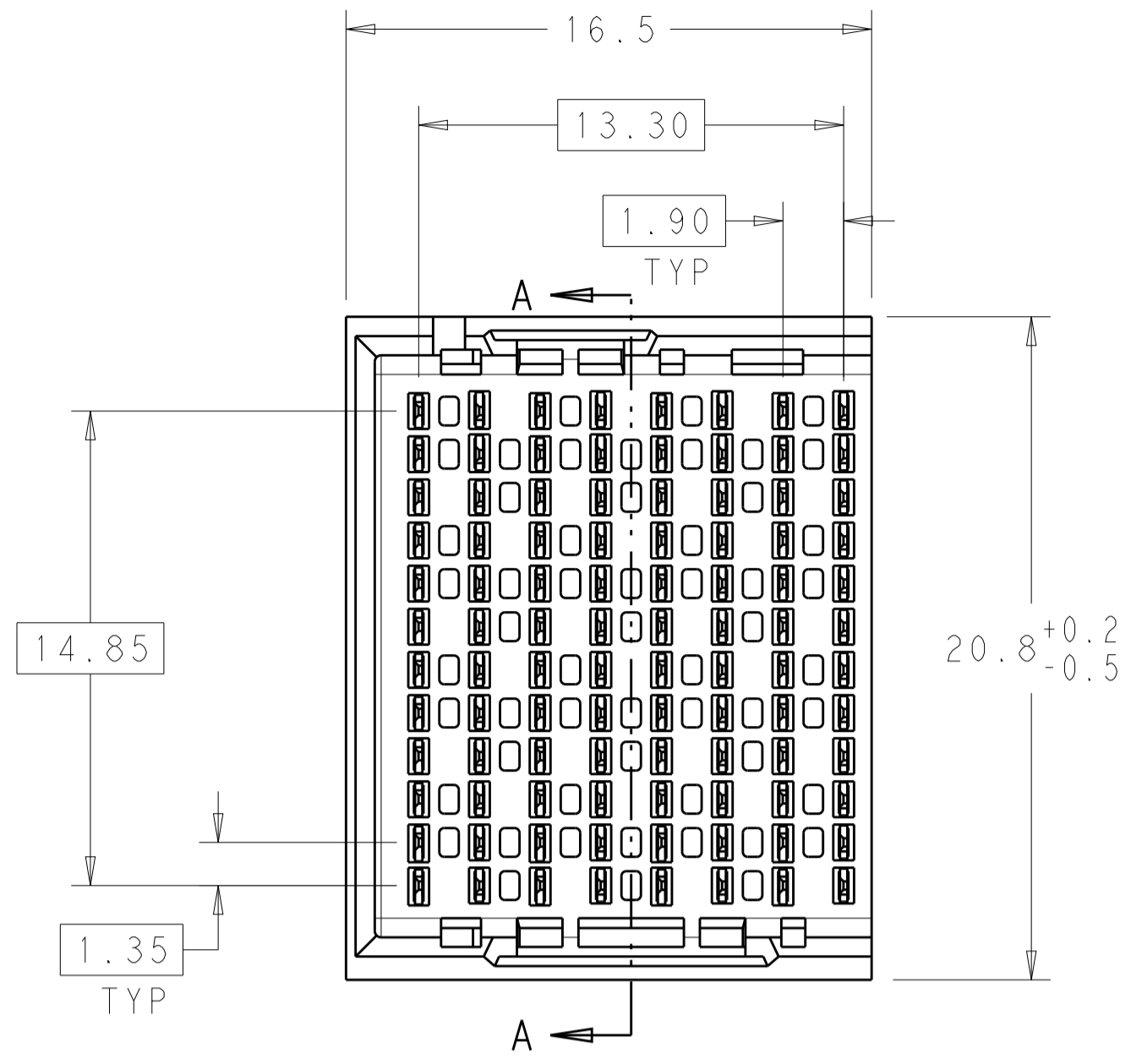


LOC		DIST		REVISIONS			
P	LTN	DESCRIPTION	DATE	DWN	APVD		
A		REVISED PER ECO-15-003242	23MAR2015	AP	DD		



96X ØP±0.05
 PLATED THRU HOLE
 Ø0.10

THIS DRAWING IS A CONTROLLED DOCUMENT.		DWN B. CARBO 12DEC2012	TE Connectivity
DIMENSIONS: mm		CHK D. DIXON 12DEC2012	
TOLERANCES UNLESS OTHERWISE SPECIFIED: 0 PLC ± 1 PLC ±0.25 2 PLC ±0.13 3 PLC ± 4 PLC ± ANGLES ±		APVD D. DIXON 12DEC2012	NAME IMPACT.85 OHM, STANDARD.4 PAIR PLUS, 8 COLUMN HEADER,UNGUIDED, LEFT ENDWALL, SIGNAL MODULE
MATERIAL SEE TABLE		PRODUCT SPEC	APPLICATION SPEC
FINISH		WEIGHT	RESTRICTED TO
SCALE 5:1		SIZE CAGE CODE DRAWING NO. A100779C=2169622	SHEET 1 OF 2 REV A
Customer Drawing			


THIS DRAWING IS UNPUBLISHED. RELEASED FOR PUBLICATION 20
 © COPYRIGHT 20 BY - ALL RIGHTS RESERVED.

LOC	DIST	REVISIONS			
		REV	DATE	BY	APPV
AD	00	-	SEE SHEET 1	-	-

- 1. MATERIAL:
HOUSING: LCP, GLASS FILLED, UL94V-0.
TERMINALS: HIGH PERFORMANCE COPPER ALLOY.
- 2. FINISH:
30μ" MIN GOLD IN CONTACT AREA. SELECTIVE TIN
ON PCB TAILS, NICKEL OVERALL.
- 3. SCREWS PACKAGED IN END OF PACKAGING TUBE.
- 4. FOR GROUNDED GUIDE PIN USE Ø3.56±0.08 PTH,
Ø3.66 DRILL, AND Ø6.5 PAD.
- 5. KEYING PIN SHOWN IN POSITION A, SEE KEYING CHART
ON SHEET 2 FOR OTHER POSITIONS.

0.46	5.5	2169622-6
0.46	4.9	2169622-5
0.46	4.5	2169622-4
0.39	5.5	2169622-3
0.39	4.9	2169622-2
0.39	4.5	2169622-1
P PLATED THROUGH HOLE SIZE	M POST LENGTH	PART NUMBER

REFER TO WWW.TE.COM
FOR PRODUCT AVAILABILITY

THIS DRAWING IS A CONTROLLED DOCUMENT.		OWN B. CARBO	12DEC2012	 TE Connectivity
		CHK D. DIXON	12DEC2012	
DIMENSIONS:		APVD D. DIXON	12DEC2012	NAME IMPACT, 85 OHM, STANDARD, 4 PAIR PLUS, 8 COLUMN HEADER, UNGUIDED, LEFT ENDWALL, SIGNAL MODULE
TOLERANCES UNLESS OTHERWISE SPECIFIED:		PRODUCT SPEC		
mm	0 PLC ± 1 PLC ±0.25 2 PLC ±0.13 3 PLC ± 4 PLC ±	APPLICATION SPEC		SIZE CAGE CODE DRAWING NO A100779C=2169622
	ANGLES ±	WEIGHT		
MATERIAL -		FINISH SEE TABLE		RESTRICTED TO -
		Customer Drawing		SCALE 5:1 SHEET 2 OF 2 REV A