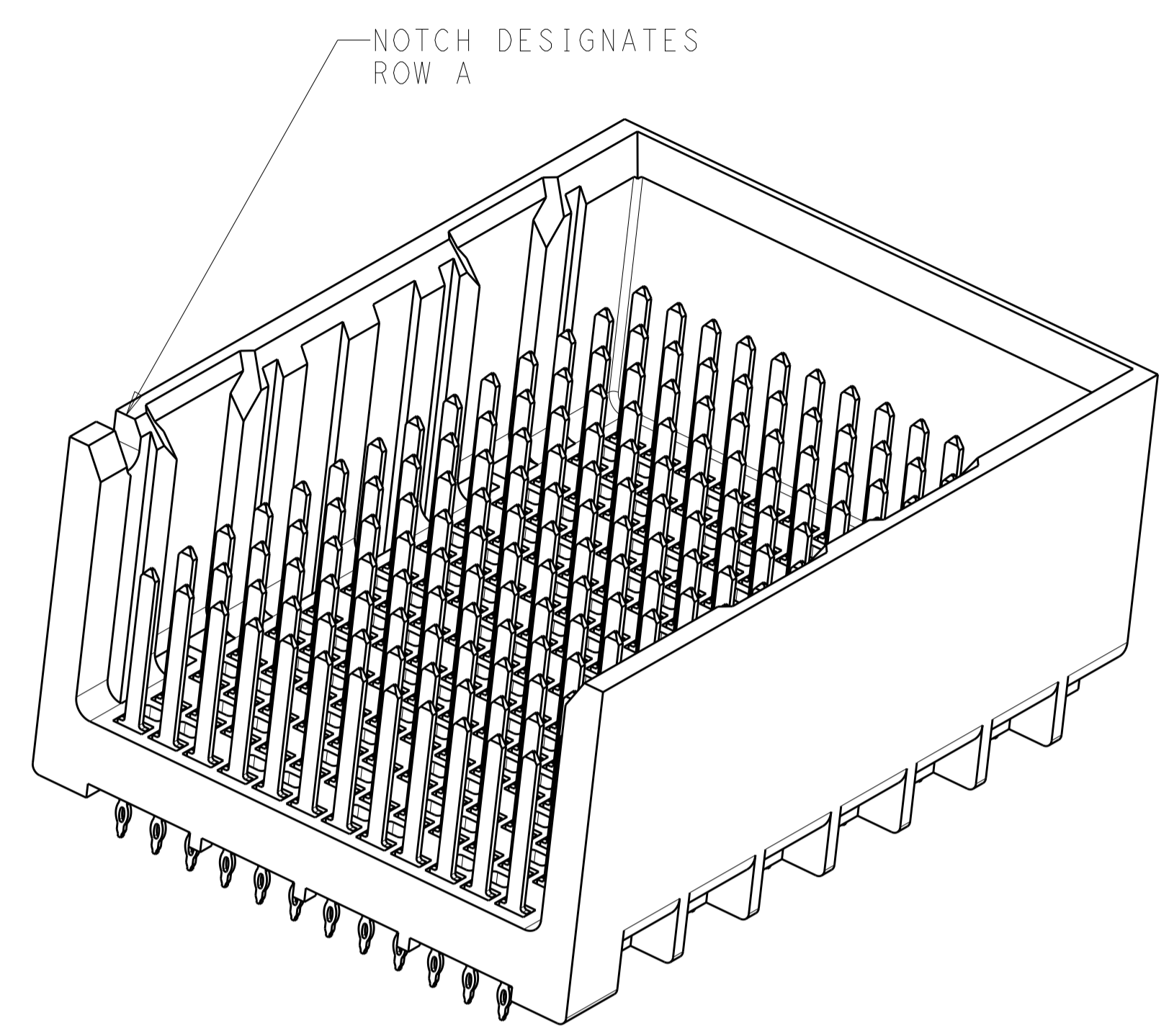
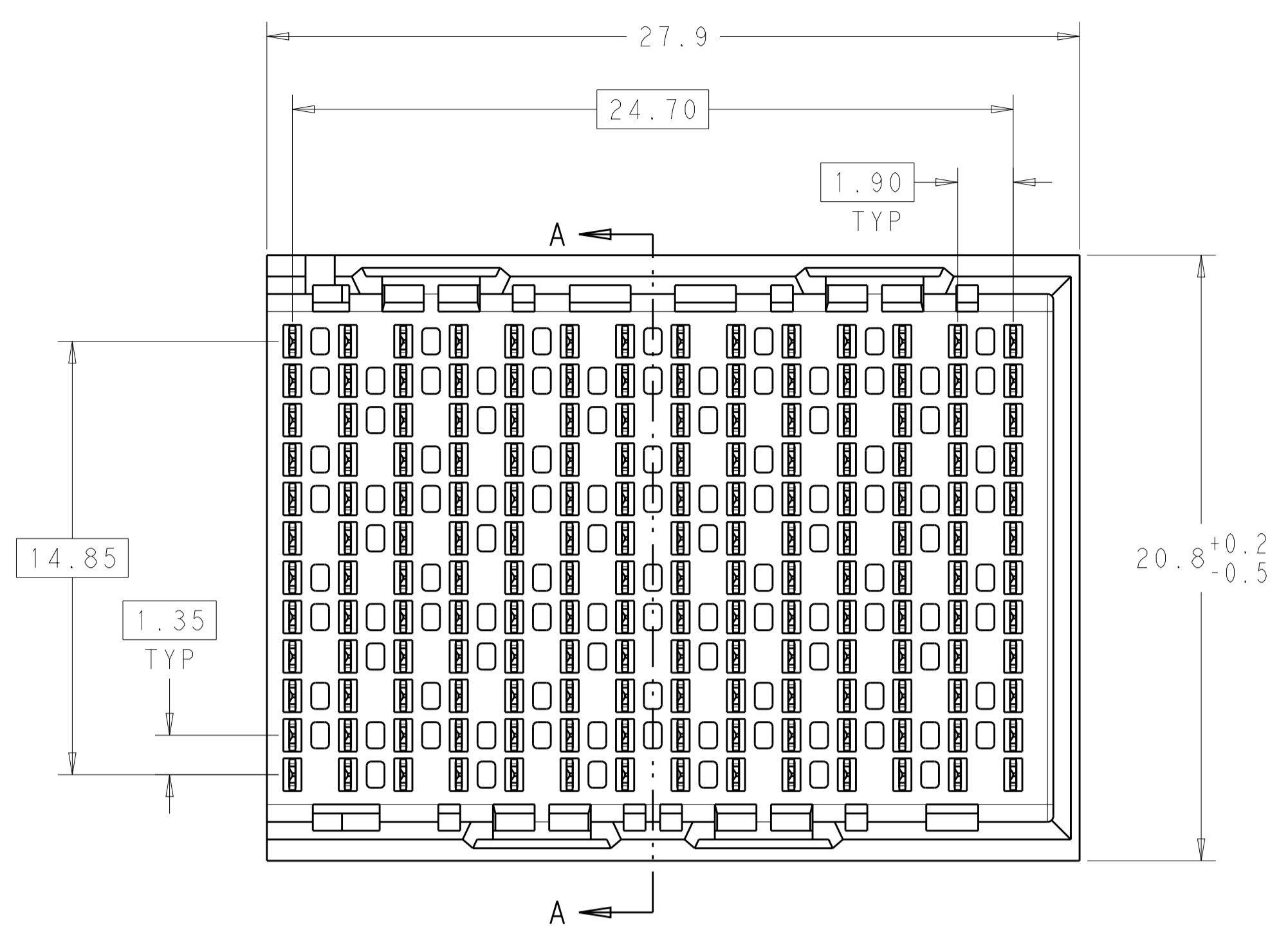
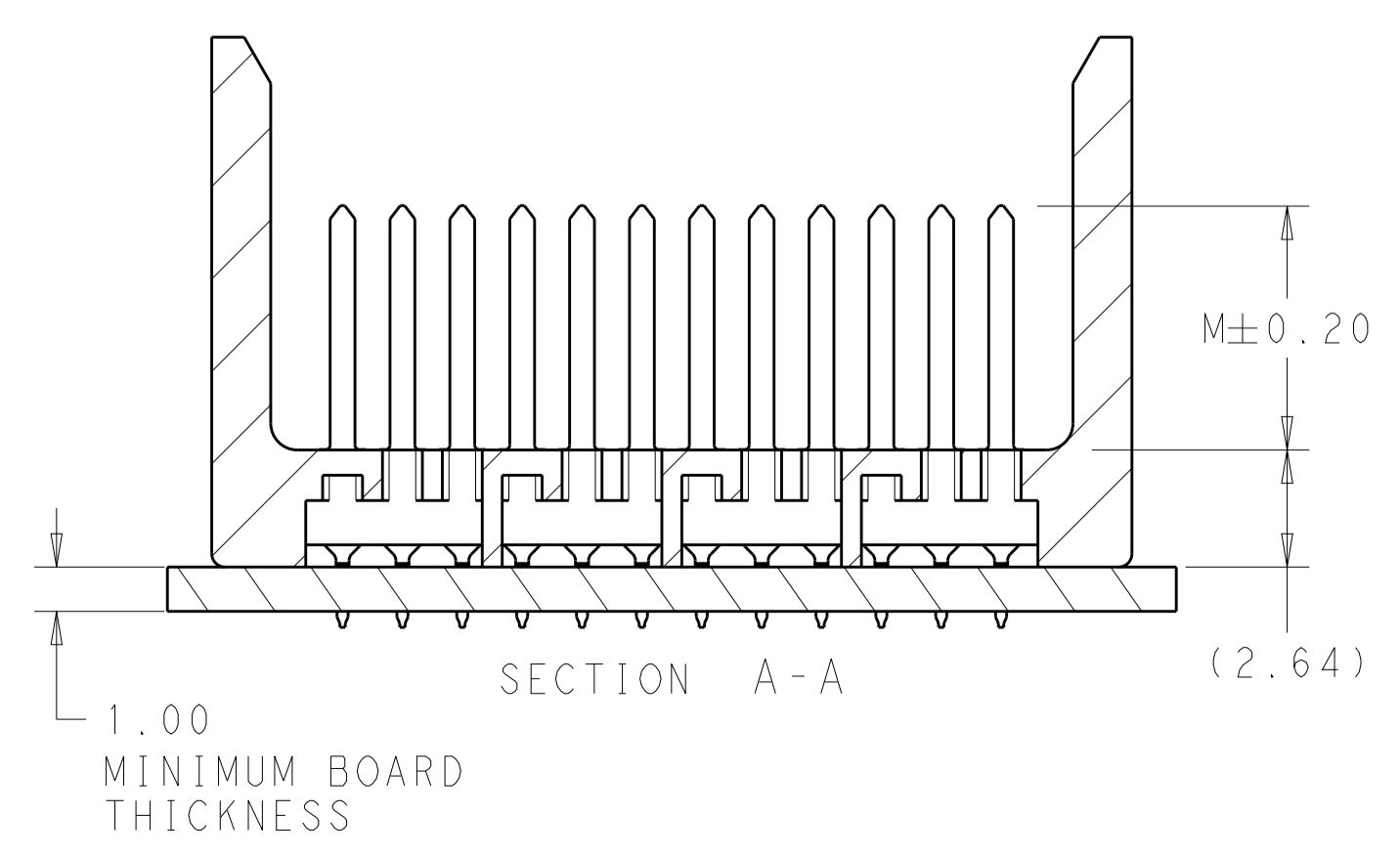
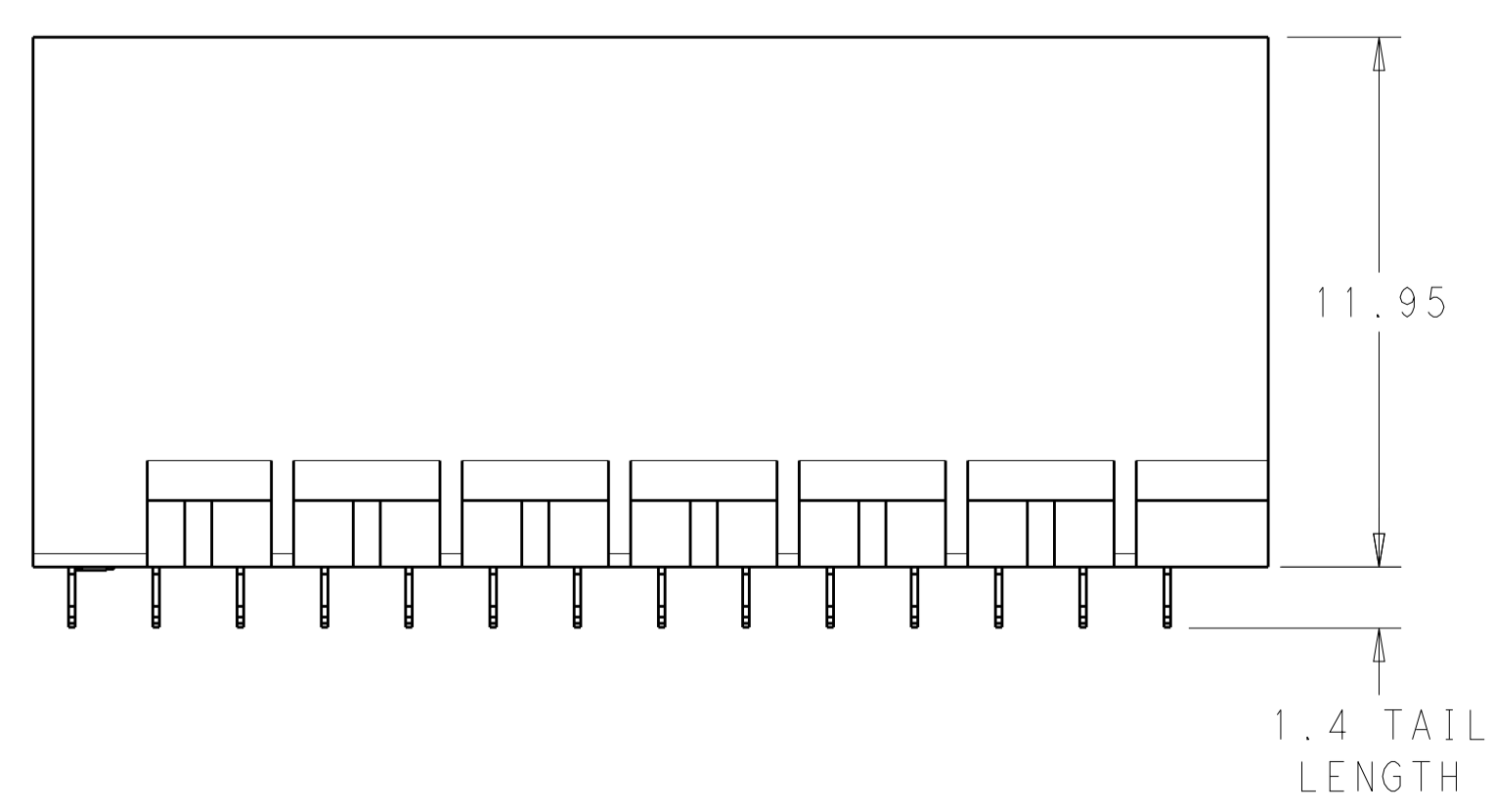
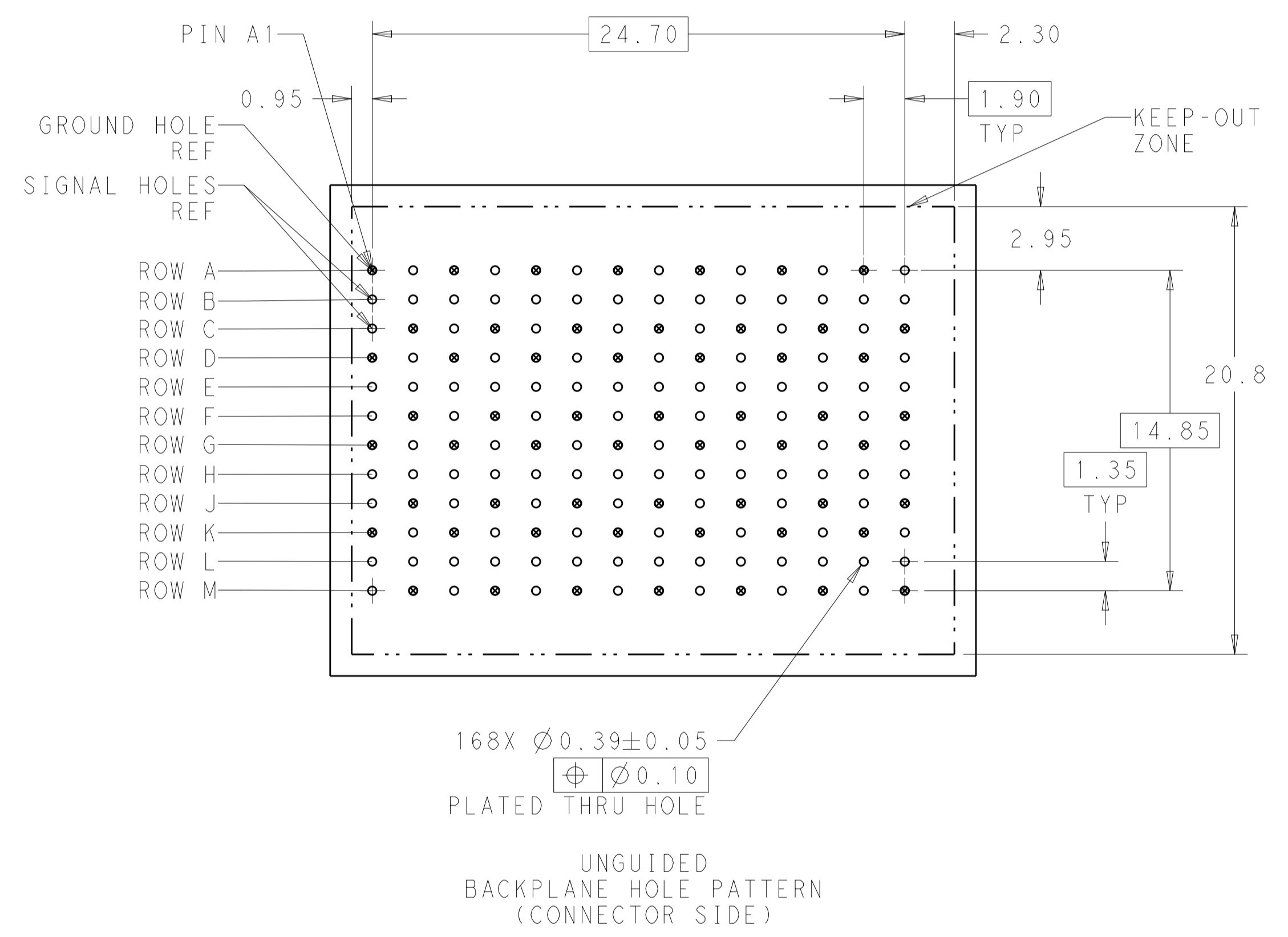


LOC		DIST		REVISIONS			
AD	00	P	LTN	DESCRIPTION	DATE	DWN	APVD
		A1		REVISED PER ECO-15-001494	07FEB2015	AP	DD



⚠ MATERIAL:  
 HOUSING: LCP, GLASS FILLED, UL94V-0.  
 TERMINALS: HIGH PERFORMANCE COPPER ALLOY.

⚠ FINISH:  
 30μ" MIN GOLD IN CONTACT AREA. SELECTIVE TIN  
 ON PCB TAILS, NICKEL OVERALL.



THIS DRAWING IS A CONTROLLED DOCUMENT.

DIMENSIONS:	TOLERANCES UNLESS OTHERWISE SPECIFIED:	DWN R. COELLO 27MAY2011	TE Connectivity NAME: IMPACT, 4 PAIR, 14 COLUMN, HEADER UNGUIDED, RIGHT END WALL SIGNAL MODULE, 0.39 PTH SIZE: CAGE CODE DRAWING NO: A100779C=2169011 RESTRICTED TO:
mm	0 PLC ±0.25 1 PLC ±0.13 2 PLC ±0.13 3 PLC ±0.13 4 PLC ±0.13 ANGLES ±0.1	CHK J. EARY 27MAY2011	
		APVD J. EARY 27MAY2011	
MATERIAL: SEE TABLE		PRODUCT SPEC: APPLICATION SPEC: WEIGHT: CUSTOMER DRAWING	

SCALE: 6:1 SHEET 1 OF 2 REV: A1

THIS DRAWING IS UNPUBLISHED. RELEASED FOR PUBLICATION 20  
 © COPYRIGHT 20 BY - ALL RIGHTS RESERVED.

LOC	DIST	REVISIONS					
		P	LTN	DESCRIPTION	DATE	DWN	APVD
AD	00	-		SEE SHEET 1	-	-	-

FINISH	DIM M	PART NUMBER
$\triangle$	5.5	2169011-3
$\triangle$	4.9	2169011-2
$\triangle$	4.5	2169011-1

REFER TO WWW.TE.COM  
FOR PRODUCT AVAILABILITY

THIS DRAWING IS A CONTROLLED DOCUMENT.		DWN R. COELLO 27MAY2011	
		CHK J. EARY 27MAY2011	
DIMENSIONS:		APVD J. EARY 27MAY2011	NAME IMPACT, 4 PAIR, 14 COLUMN, HEADER UNGUIDED, RIGHT END WALL SIGNAL MODULE, 0.39 PTH
TOLERANCES UNLESS OTHERWISE SPECIFIED:		PRODUCT SPEC	
mm	0 PLC ±	APPLICATION SPEC	SIZE CAGE CODE DRAWING NO
	1 PLC ±0.25	RESTRICTED TO	A100779C=2169011
	2 PLC ±0.13	WEIGHT	CUSTOMER DRAWING
	3 PLC ±	SCALE	5:1
	4 PLC ±	SHEET	2 OF 2
	ANGLES ±	REV	A1
MATERIAL	FINISH SEE TABLE		