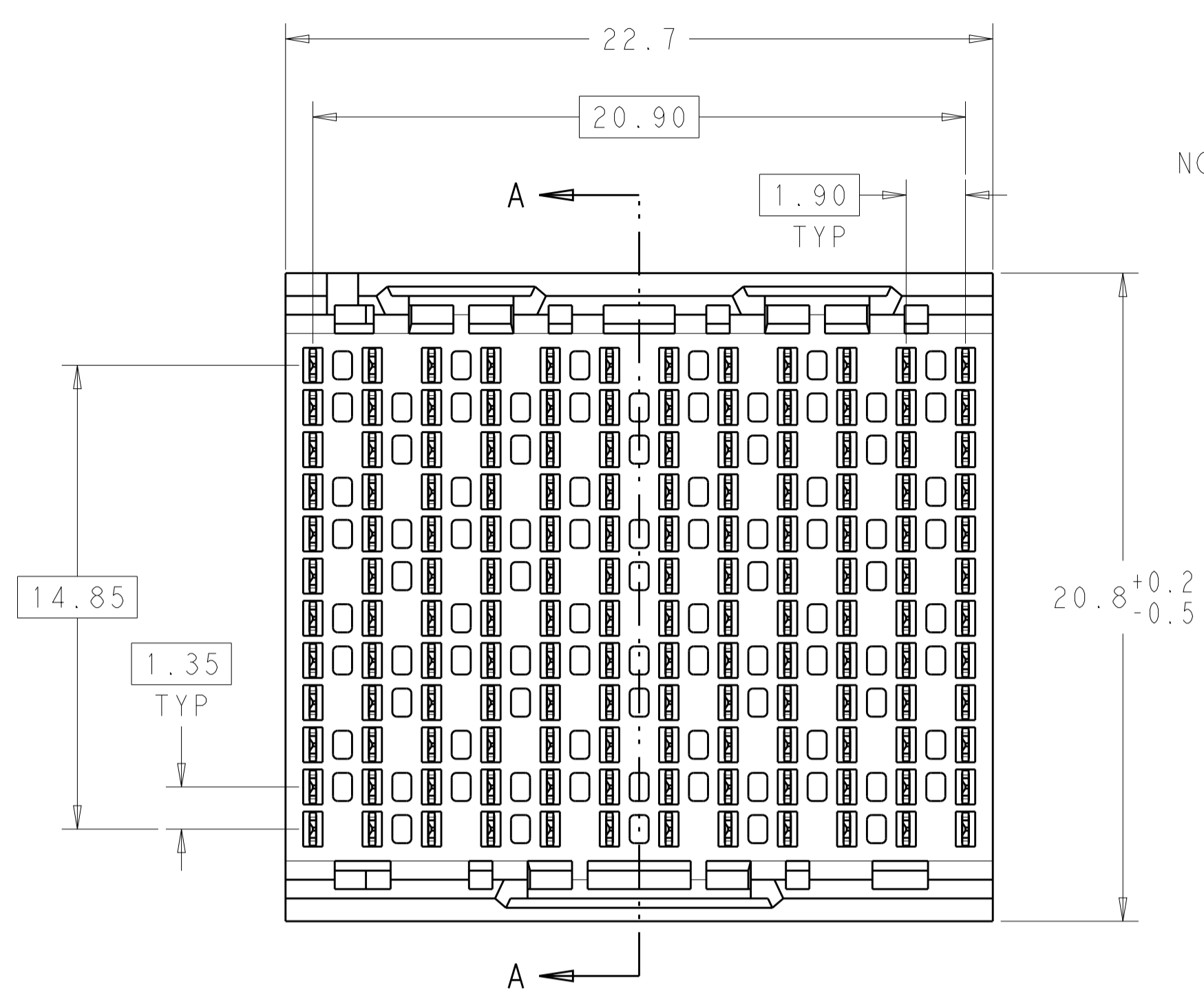
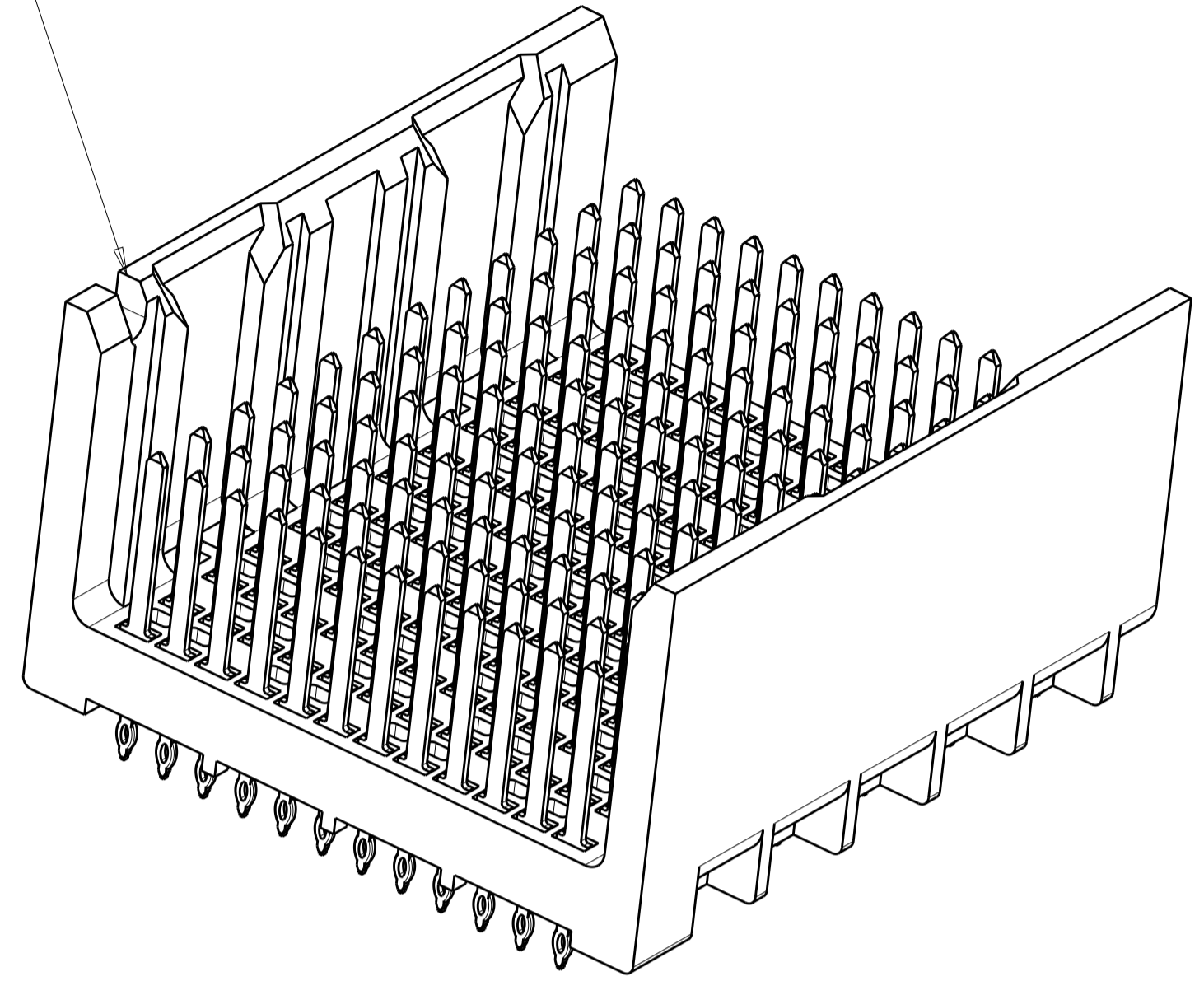


LOC		DIST		REVISIONS			
AD	00	P	LTN	DESCRIPTION	DATE	DWN	APVD
		A1		REVISED PER ECO-15-001494	06FEB2015	AP	DD

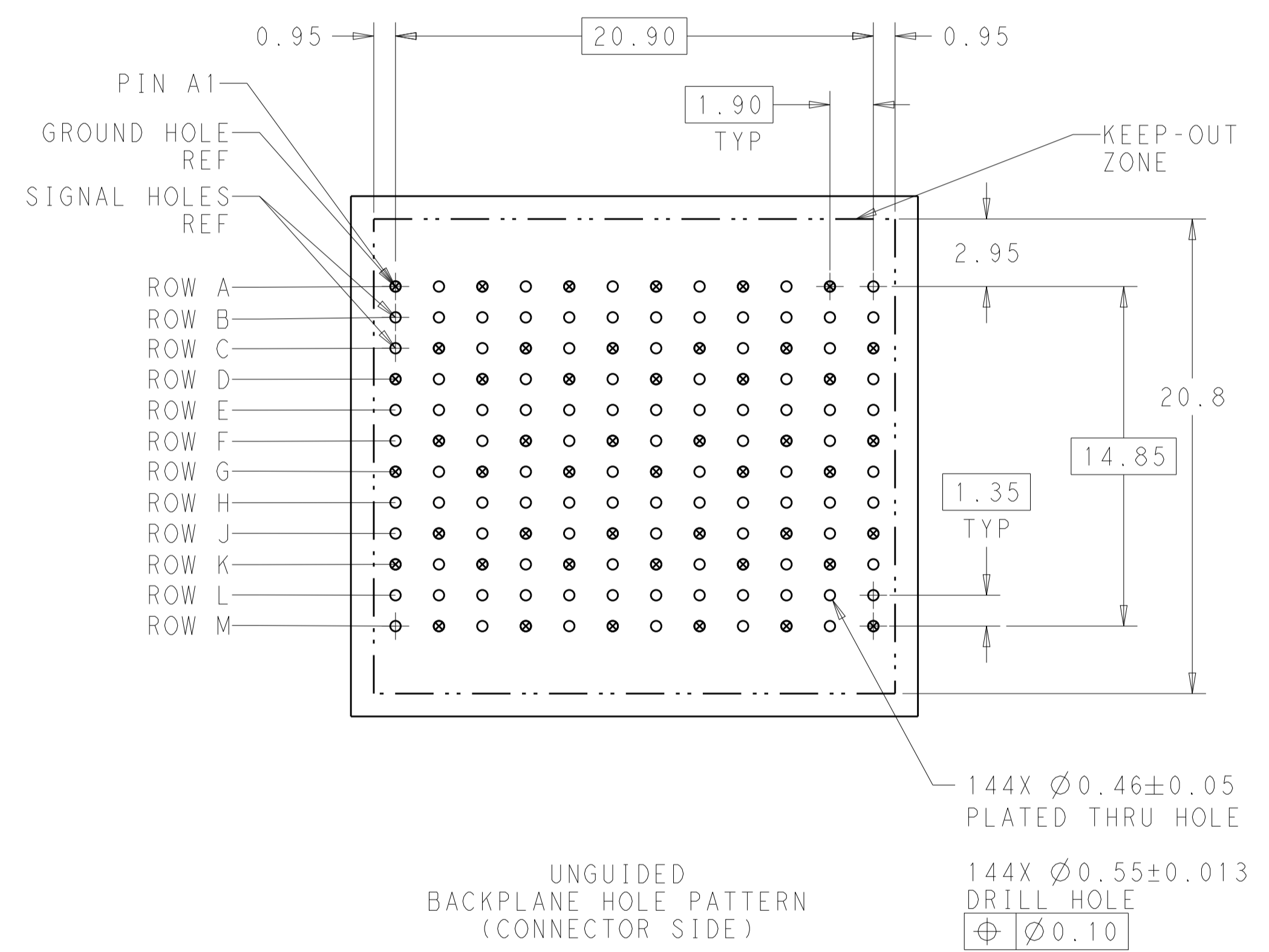


NOTCH DESIGNATES ROW A

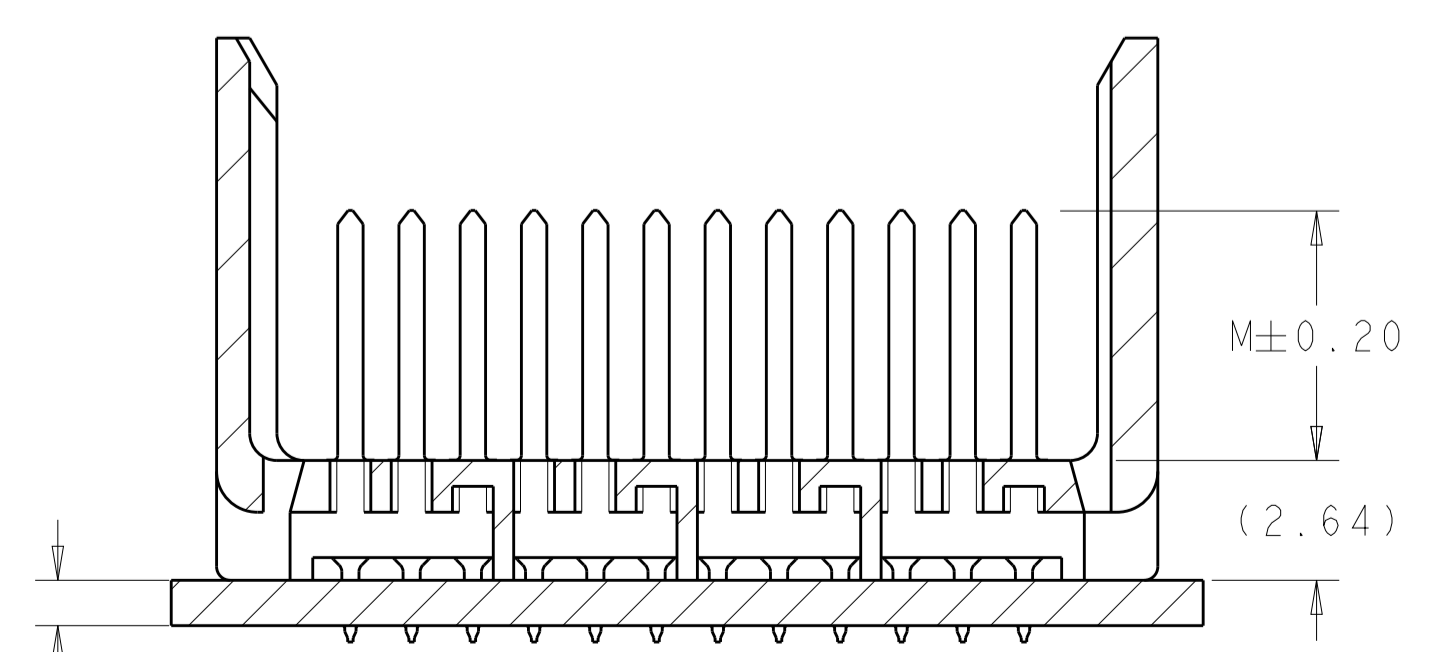
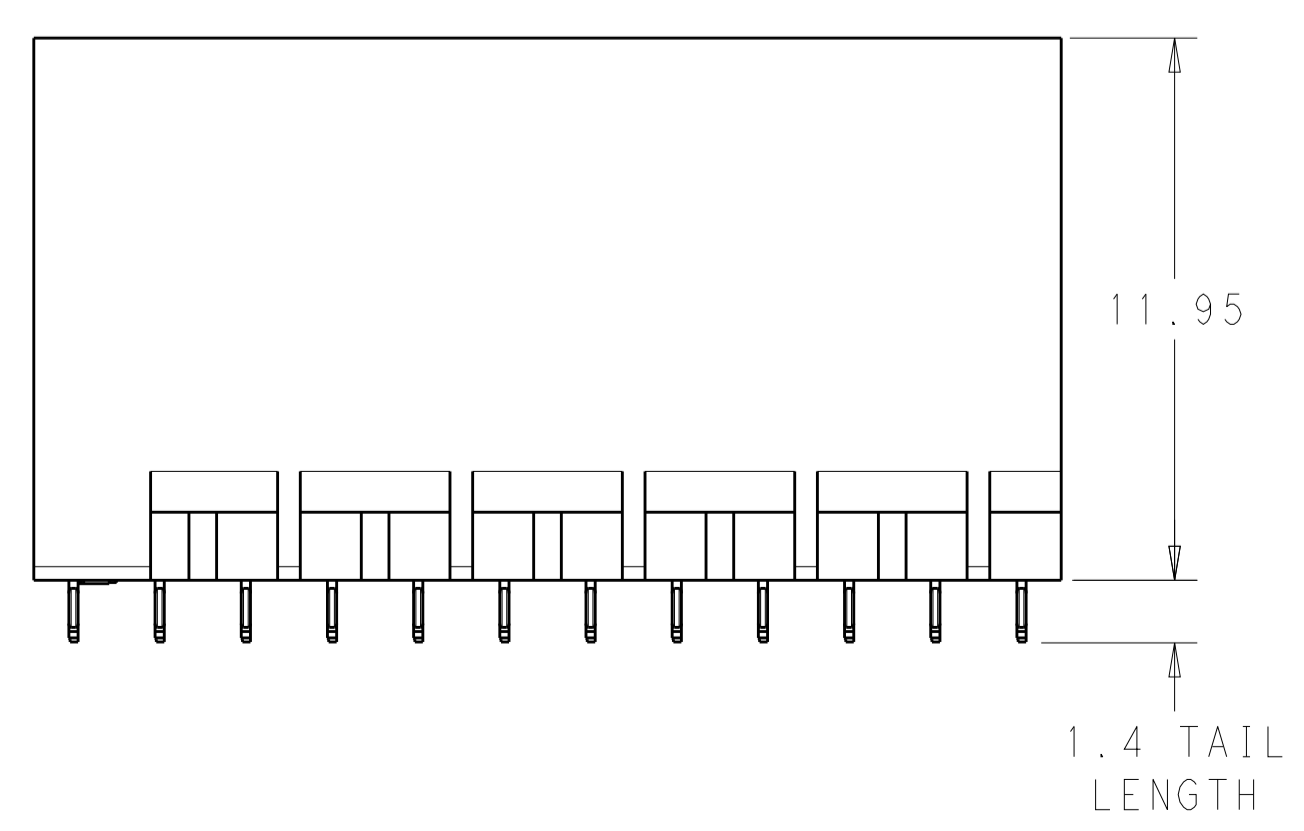


⚠ MATERIAL:
 HOUSING: LCP, GLASS FILLED, UL94V-0.
 TERMINALS: HIGH PERFORMANCE COPPER ALLOY.

⚠ FINISH:
 30μ" MIN GOLD IN CONTACT AREA. SELECTIVE TIN
 ON PCB TAILS, NICKEL OVERALL.



UNGUIDED
 BACKPLANE HOLE PATTERN
 (CONNECTOR SIDE)



SECTION A-A

THIS DRAWING IS A CONTROLLED DOCUMENT.		DWN R. COELLO	27MAY2011	TE Connectivity
DIMENSIONS:		CHK J. EARY	27MAY2011	
mm	0 PLC ±	APVD J. EARY	27MAY2011	NAME IMPACT, 4 PAIR, 12 COLUMN, HEADER UNGUIDED, OPEN END WALL SIGNAL MODULE, 0.46 PTH
	1 PLC ±0.25	PRODUCT SPEC		
	2 PLC ±0.13	APPLICATION SPEC		SIZE CAGE CODE DRAWING NO. RESTRICTED TO A100779C=2169000
	3 PLC ±	WEIGHT		
	4 PLC ±	CUSTOMER DRAWING		SCALE 6:1 SHEET 1 OF 2 REV A1
	ANGLES ±			
MATERIAL	FINISH SEE TABLE			

THIS DRAWING IS UNPUBLISHED. RELEASED FOR PUBLICATION 20
 © COPYRIGHT 20 BY - ALL RIGHTS RESERVED.

LOC	DIST	REVISIONS					
		P	LTN	DESCRIPTION	DATE	DWN	APVD
AD	00	-		SEE SHEET 1	-	-	-

FINISH	DIM M	PART NUMBER
	5.5	2169000-3
	4.9	2169000-2
	4.5	2169000-1

REFER TO WWW.TE.COM
FOR PRODUCT AVAILABILITY

THIS DRAWING IS A CONTROLLED DOCUMENT.		DWN R. COELLO 27MAY2011	
DIMENSIONS: mm		CHK J. EARY 27MAY2011	
		APVD J. EARY 27MAY2011	
TOLERANCES UNLESS OTHERWISE SPECIFIED: 0 PLC ± 1 PLC ±0.25 2 PLC ±0.13 3 PLC ± 4 PLC ± ANGLES ±		NAME IMPACT, 4 PAIR, 12 COLUMN, HEADER UNGUIDED, OPEN END WALL SIGNAL MODULE, 0.46 PTH	RESTRICTED TO
MATERIAL -		PRODUCT SPEC -	SIZE CAGE CODE DRAWING NO. A100779C=2169000
FINISH SEE TABLE		APPLICATION SPEC -	WEIGHT -
CUSTOMER DRAWING		SCALE 5:1	SHEET 2 OF 2 REV A1