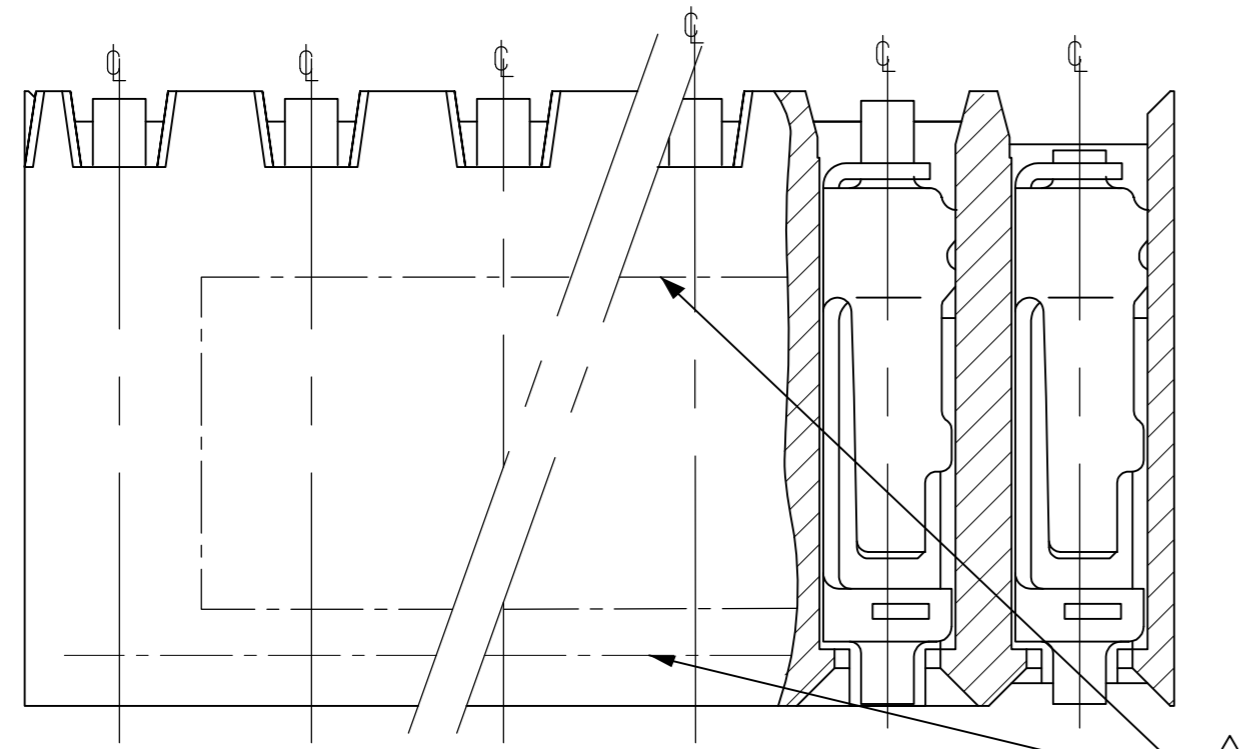
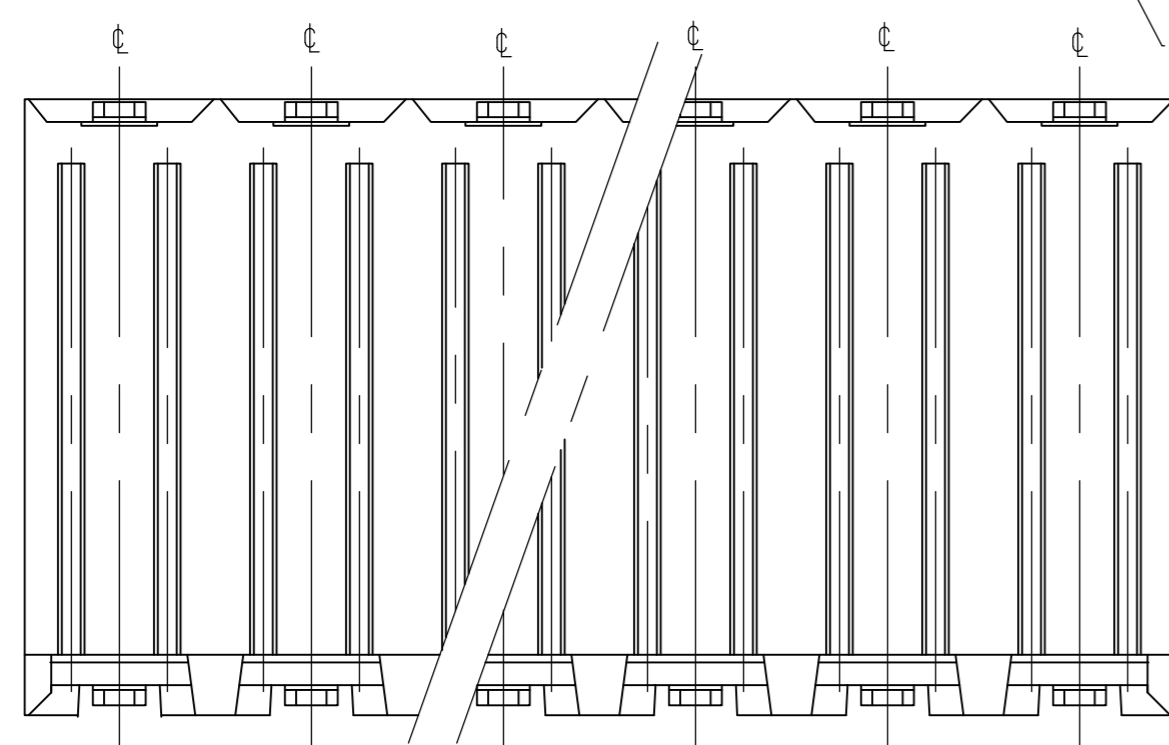
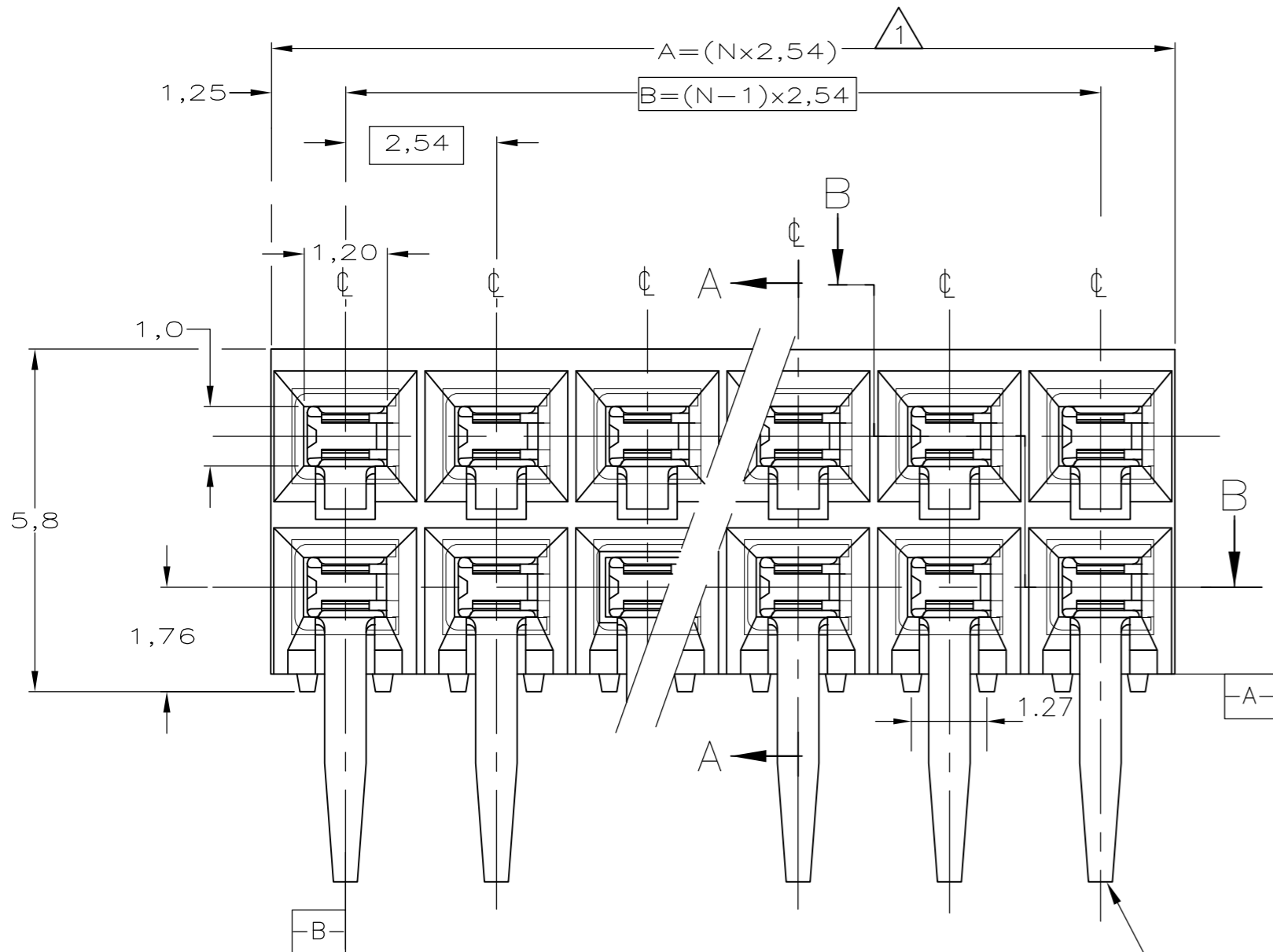


THIS DRAWING IS UNPUBLISHED. RELEASED FOR PUBLICATION
 © COPYRIGHT - By - ALL RIGHTS RESERVED.



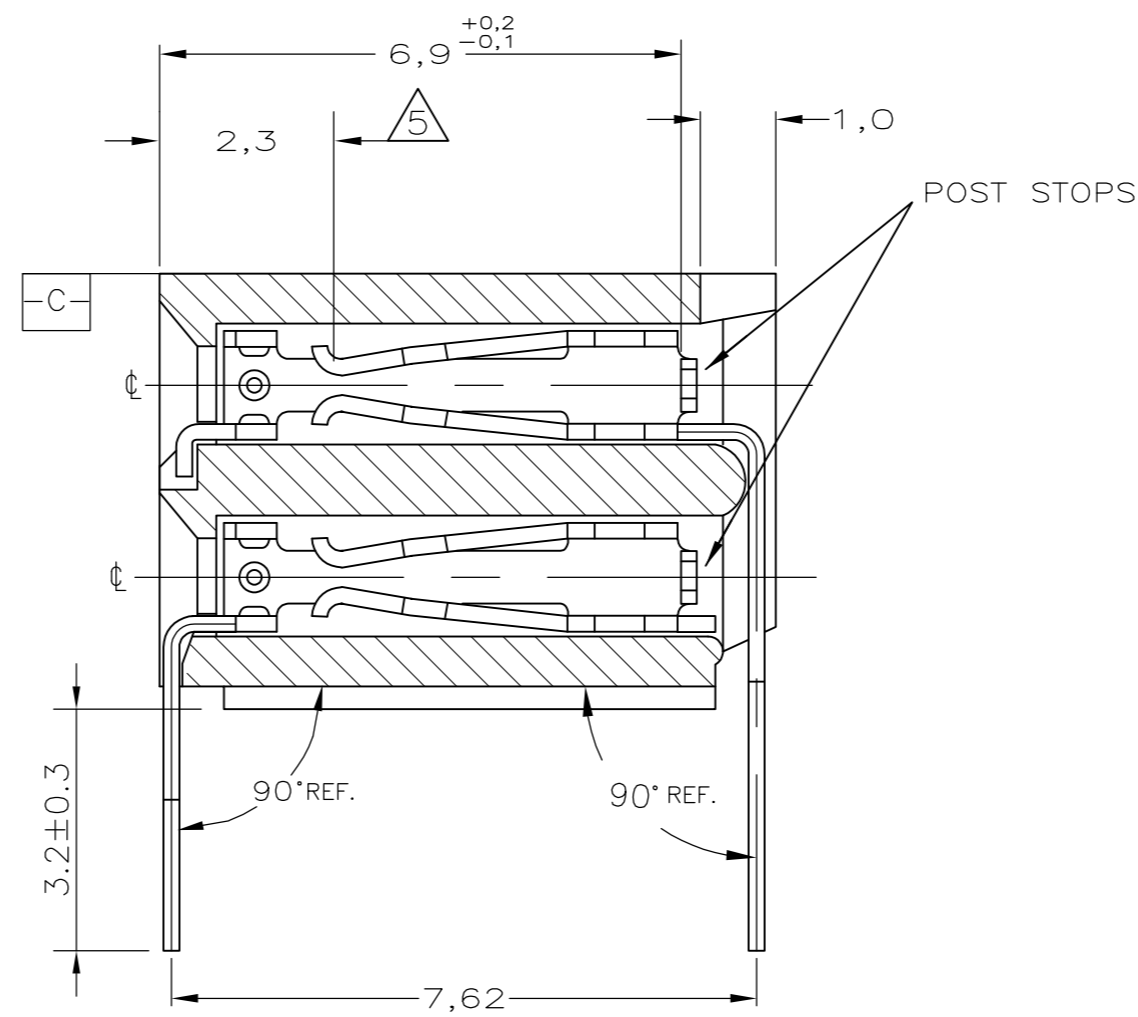
SECTION B-B/TOP VIEW



BOTTOM VIEW

$\varnothing 0.35 \text{ (M)}$ A B C

PART NO.	'N' POS. PER ROW	DIMENSIONS	
		A	B
216603-5	5	12.70	10.16
216603-7	7	17.78	15.24
216603-8	8	20.32	17.78
1-216603-0	10	25.40	22.86
1-216603-1	11	27.94	25.40
1-216603-3	13	33.02	30.48
OBSOLETE 1-216603-4	14	35.56	33.02
OBSOLETE 1-216603-5	15	38.10	35.56
1-216603-8	18	45.72	43.18
OBSOLETE 1-216603-9	19	48.26	45.72
2-216603-0	20	50.80	48.26
OBSOLETE 3-216603-0	30	76.20	73.66

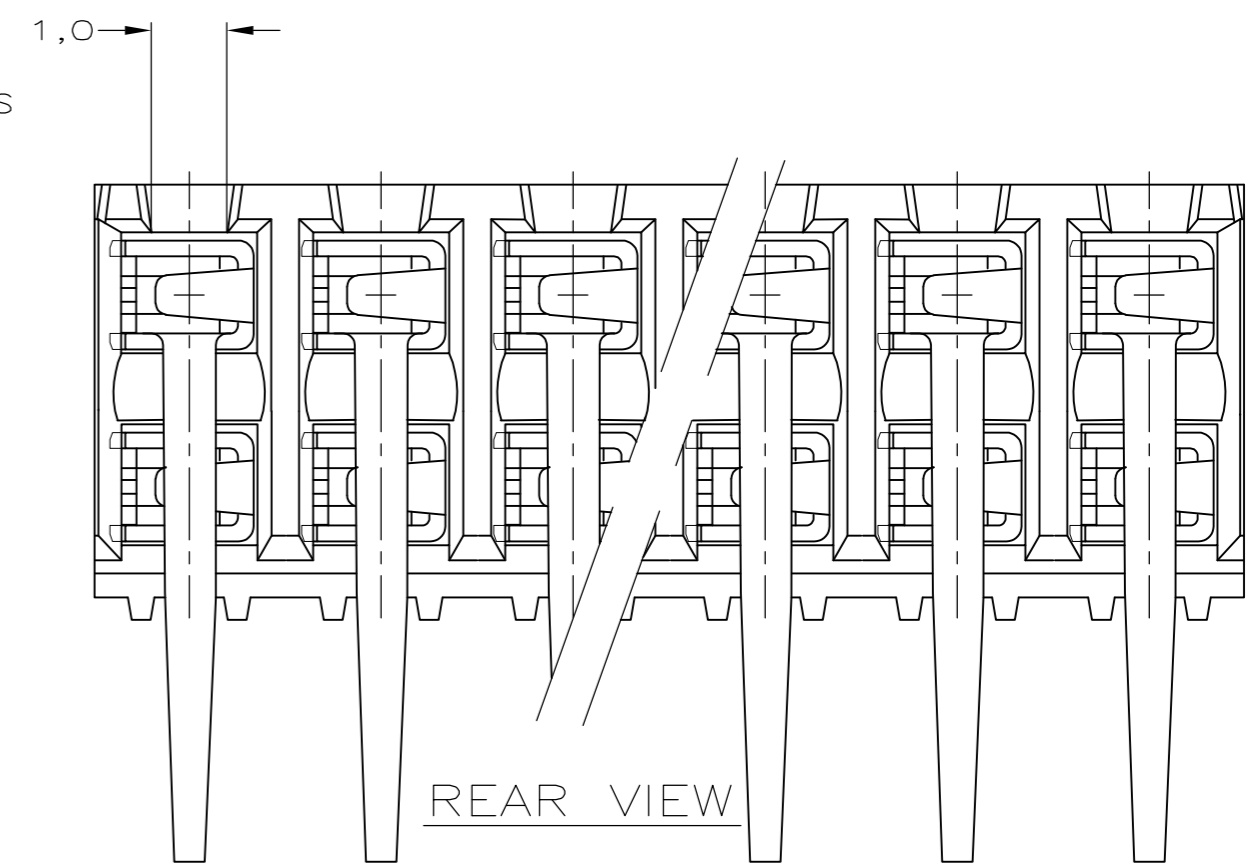


SECTION A-A

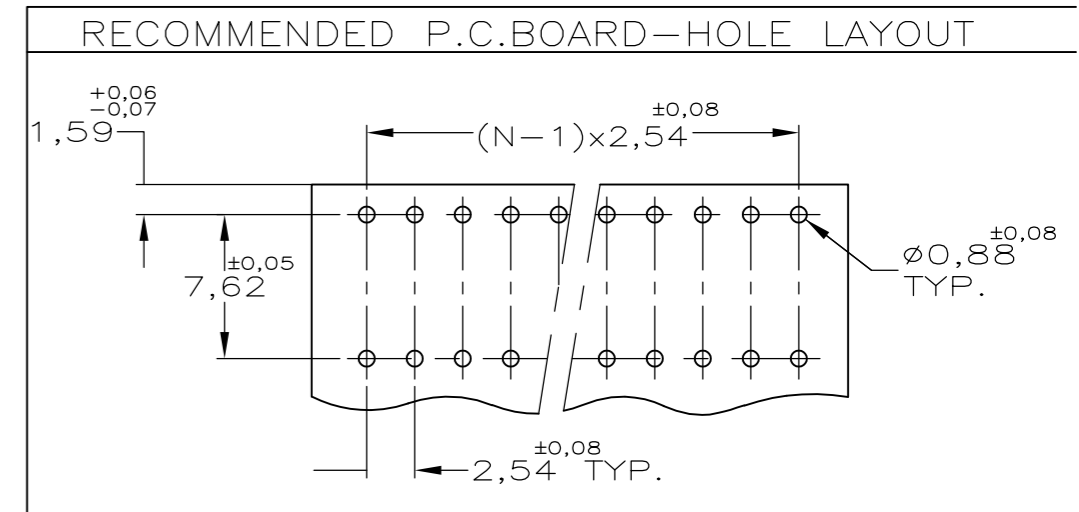
LOC	DIST	REVISIONS					
		P	LTR	DESCRIPTION	DATE	DWN	APVD
-	-	H4		PART STATUS UPDATED IN PART LIST TABLE	30MAY2014	KJK	JK

NOTES:

- 1 TO DETERMINE DIMENSIONS TAKE N=NR. OF POS. FOR EXAMPLE, 10 POS., $N \times 2,54 = 25,4 \text{ mm}$. FOR ORDER NR. USE BASIC NR.+NR. OF POS. FOR EXAMPLE, 2x2 POS.= 216603-2 (SHORTEST VERSION) 2x65 POS.= 6-216603-5 (LONGEST VERSION)
 - 2 HOUSING MATERIAL, GREEN GLASS FILLED POLYESTER, UL 94V-0 CONTACT MATERIAL, PHOSPHOR BRONZE.
 - 3 PLATING: 3,0-5,0 μm TIN .
 - 4 MATES WITH 0,63 SQUARE/ROUND MODU POSTS.
 - 5 CONTACT-POINT.
 - 6 RECOMMENDED P.C.BOARD-THICKNESS, 1,6mm.
- PRINTED: THE WORD "TE" [FOR 2 TO 6 POS]
 THE WORD "TE" & PRODUCTION DATE [FOR 7 TO 12 POS]
 THE WORD "TE", PRODUCTION DATE & BASIC PART NO. [FOR 13 TO 65 POS]
 AND A DASHED LINE OVER THE LENGTH OF HOUSING TO INDICATE CONTACT MATING SIDE.



REAR VIEW



THIS DRAWING IS A CONTROLLED DOCUMENT.		DWN W.R.ANNOKKEE 19-12-91	TE Connectivity		
DIMENSIONS: mm		CHK R.BROENS 19-12-91			
TOLERANCES UNLESS OTHERWISE SPECIFIED: ±0.15		APVD E.LEIJTENS 19-12-91	NAME HV 190 HOR. ASSY DUAL ROW, TIN VERSION, MAX. 2X65 POSITIONS		
0 PLC ± - 1 PLC ± - 2 PLC ± - 3 PLC ± - 4 PLC ± - ANGLES ± -		PRODUCT SPEC 108-19072	SIZE A2	CAGE CODE 00779	DRAWING NO. C=216603
MATERIAL SEE NOTE 2		FINISH SEE NOTE 3	WEIGHT -	RESTRICTED TO -	
CUSTOMER DRAWING		SCALE 10:1	SHEET 1 OF 1	REV H4	