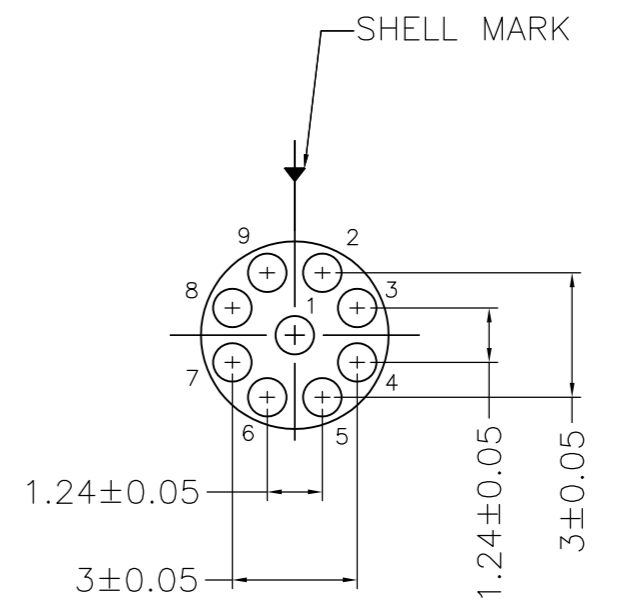
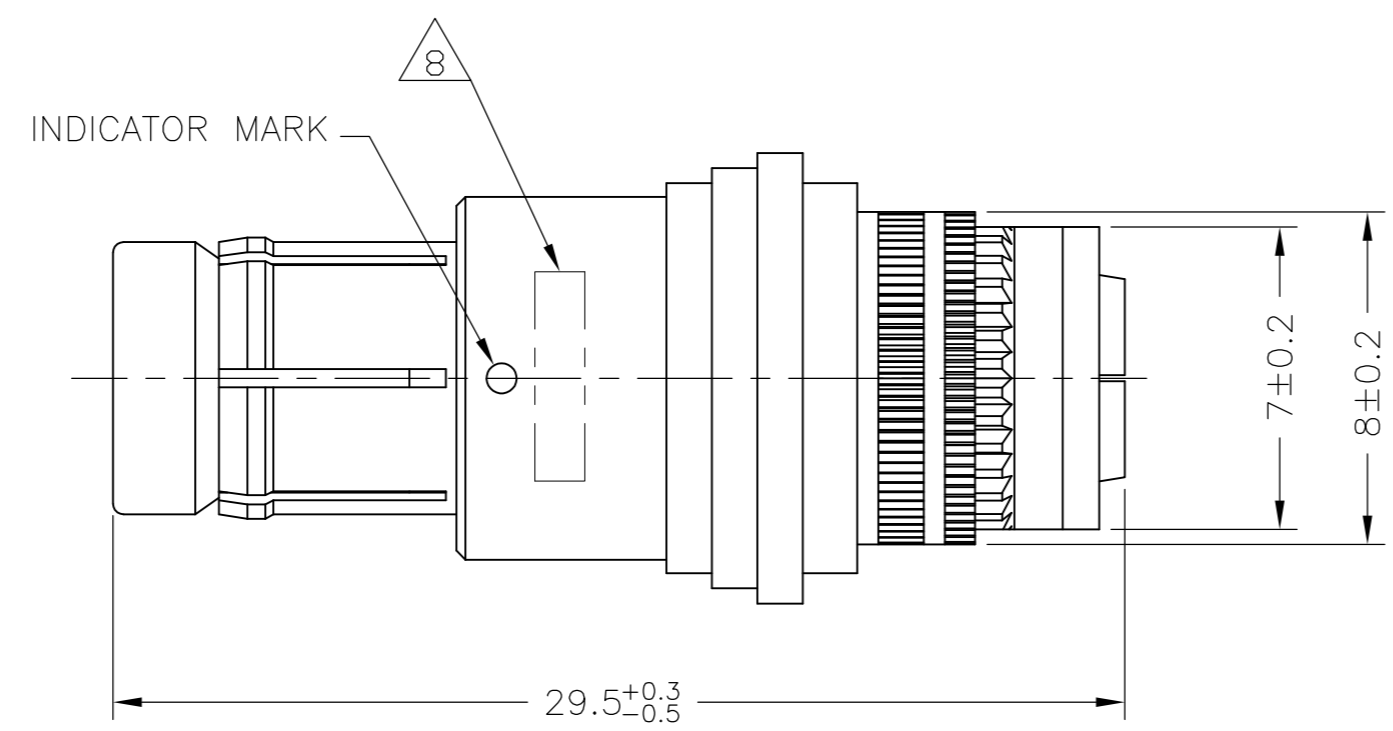
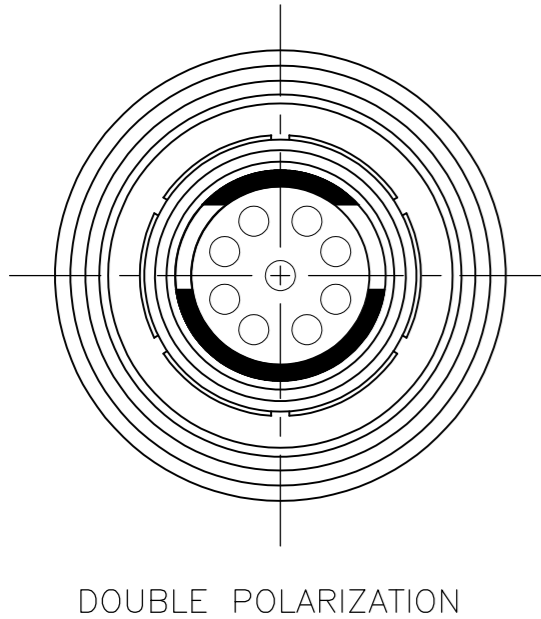
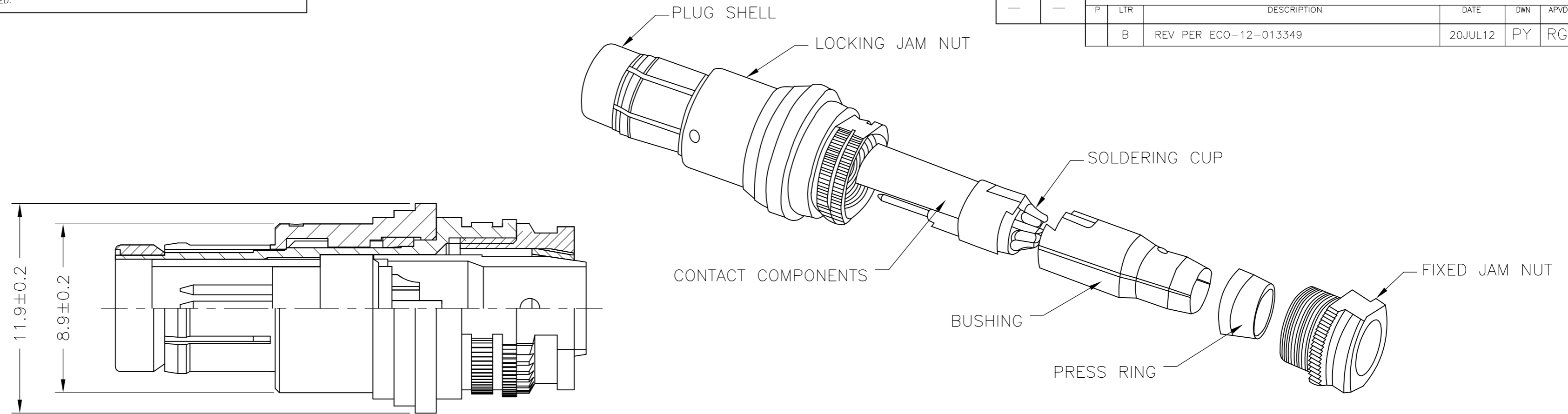


THIS DRAWING IS UNPUBLISHED. RELEASED FOR PUBLICATION
 © COPYRIGHT - By - ALL RIGHTS RESERVED.

LOC		DIST		REVISIONS			
P	LTR	DESCRIPTION	DATE	DWN	APVD		
B		REV PER ECO-12-013349	20JUL12	PY	RG		



CAVITY IDENTIFICATION WHEN VIEWED FROM MATING FACE

- UNLESS OTHERWISE SPECIFIED DIMENSIONS TOLERANCE ARE ±0.20.
- DWV RATING: 875VAC @ SEA LEVEL
- WORKING TEMPERATURE: -55°C ~ +125°C
- MATERIAL:
 - CONTACT : COPPER ALLOY
 - SHELL : COPPER ALLOY
 - INSULATOR : PEEK
- FINISH
 - CONTACT: GOLD OVER NICKEL
 - SHELL : BLACK CHROMIUM
- WIRE SIZE: 28 AWG MAX.
- MATING STYLE - PUSH TO MATE; PULL TO UNLOCK
- PART IS MARKED WITH THE TE PART NUMBER, CHINA, DATE CODE, AND LOT ID.

CHROMIUM-BLACK	DOUBLE	SOLDER CUP	1	2157948-1
FINISH	POLARIZATION	TERMINATION	SHELL SIZE	TE PART NUMBER
THIS DRAWING IS A CONTROLLED DOCUMENT.		DWN C.C THOMAS 10APR2012	 TE Connectivity CIRCULAR HD PLUG WITH PIN, CONTACTS 9 POS.	
DIMENSIONS: mm	TOLERANCES UNLESS OTHERWISE SPECIFIED:	CHK R. GROSS 10APR2012		
	0 PLC ± - 1 PLC ± - 2 PLC ± 0.2 3 PLC ± - 4 PLC ± - ANGLES ± 3°	APVD R. GROSS 10APR2012		
MATERIAL	FINISH	PRODUCT SPEC 108-127005		
		APPLICATION SPEC	NAME	RESTRICTED TO
		WEIGHT	SIZE A2	CAGE CODE 00779
		CUSTOMER DRAWING	DRAWING NO C=2157948	SCALE NTS
			SHEET 1 of 1	REV B