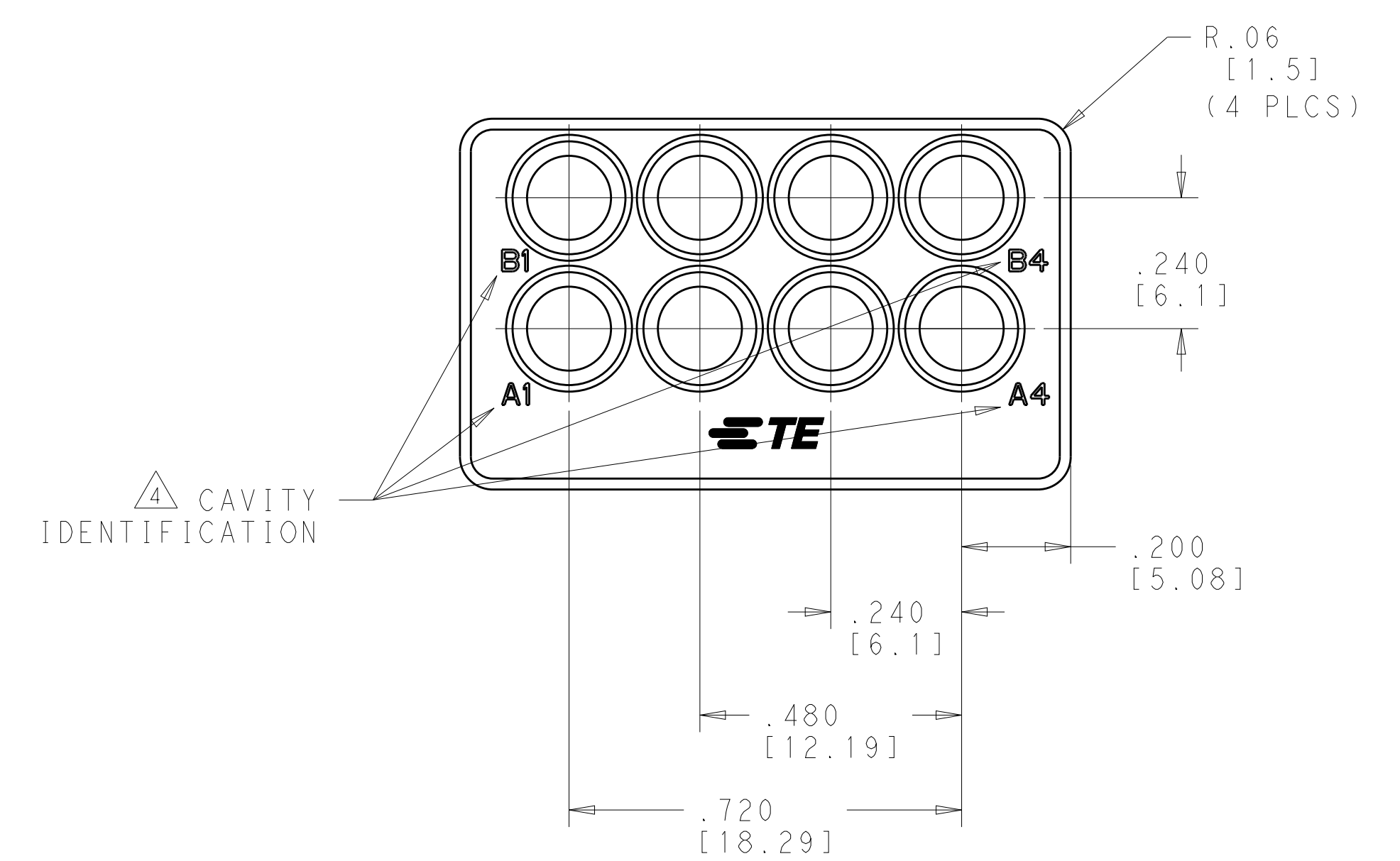
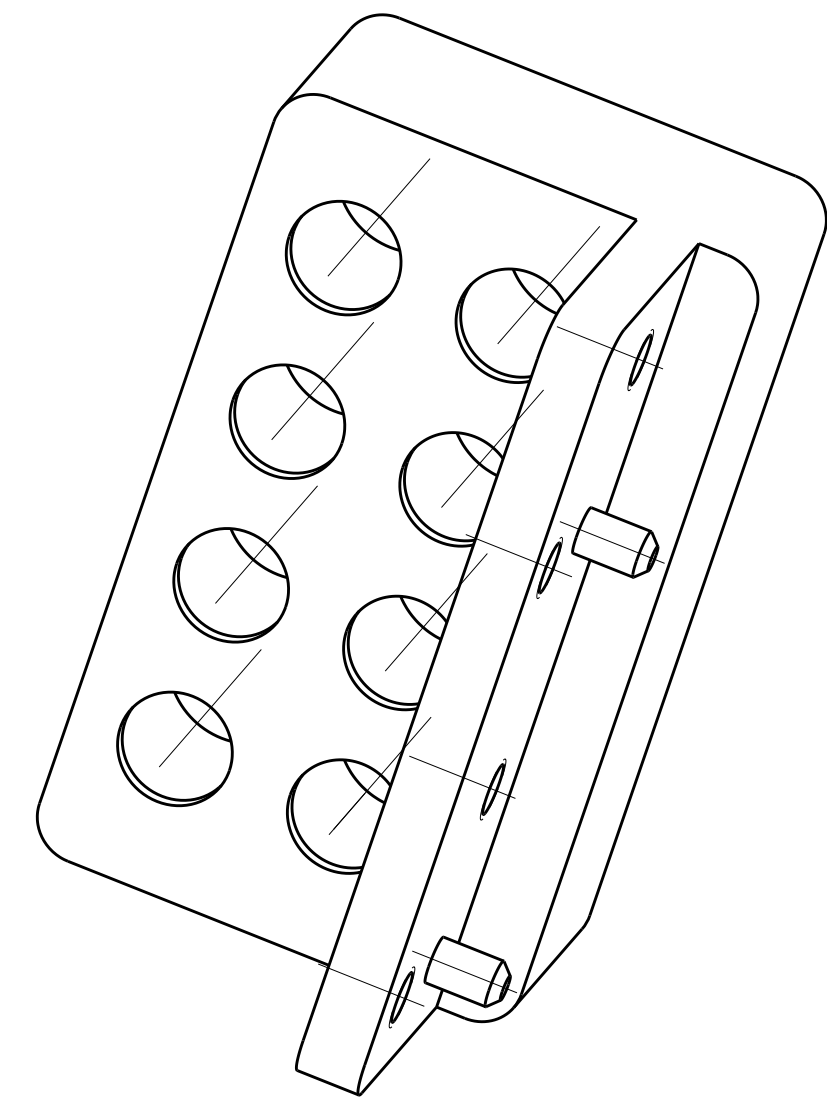
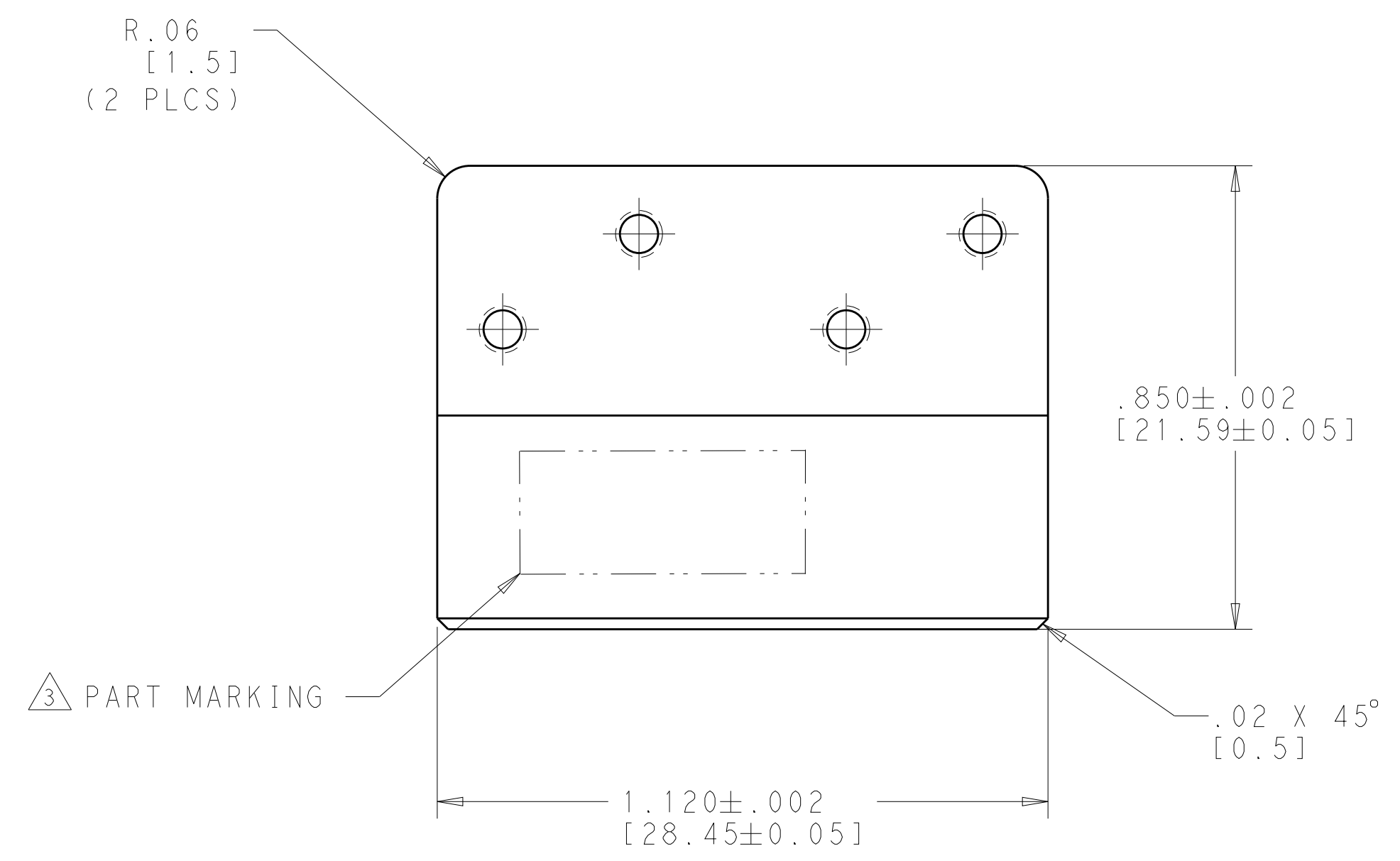
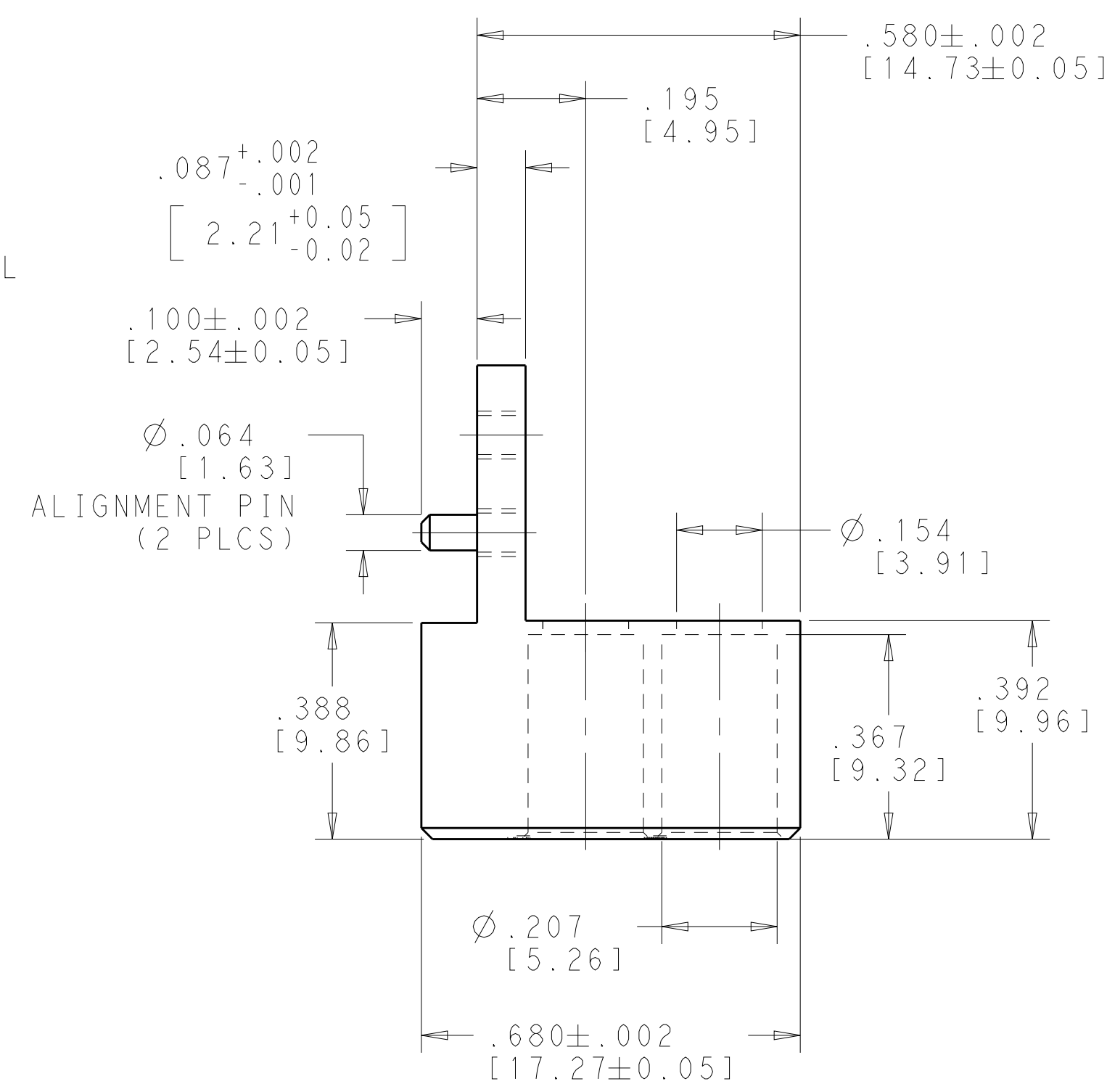
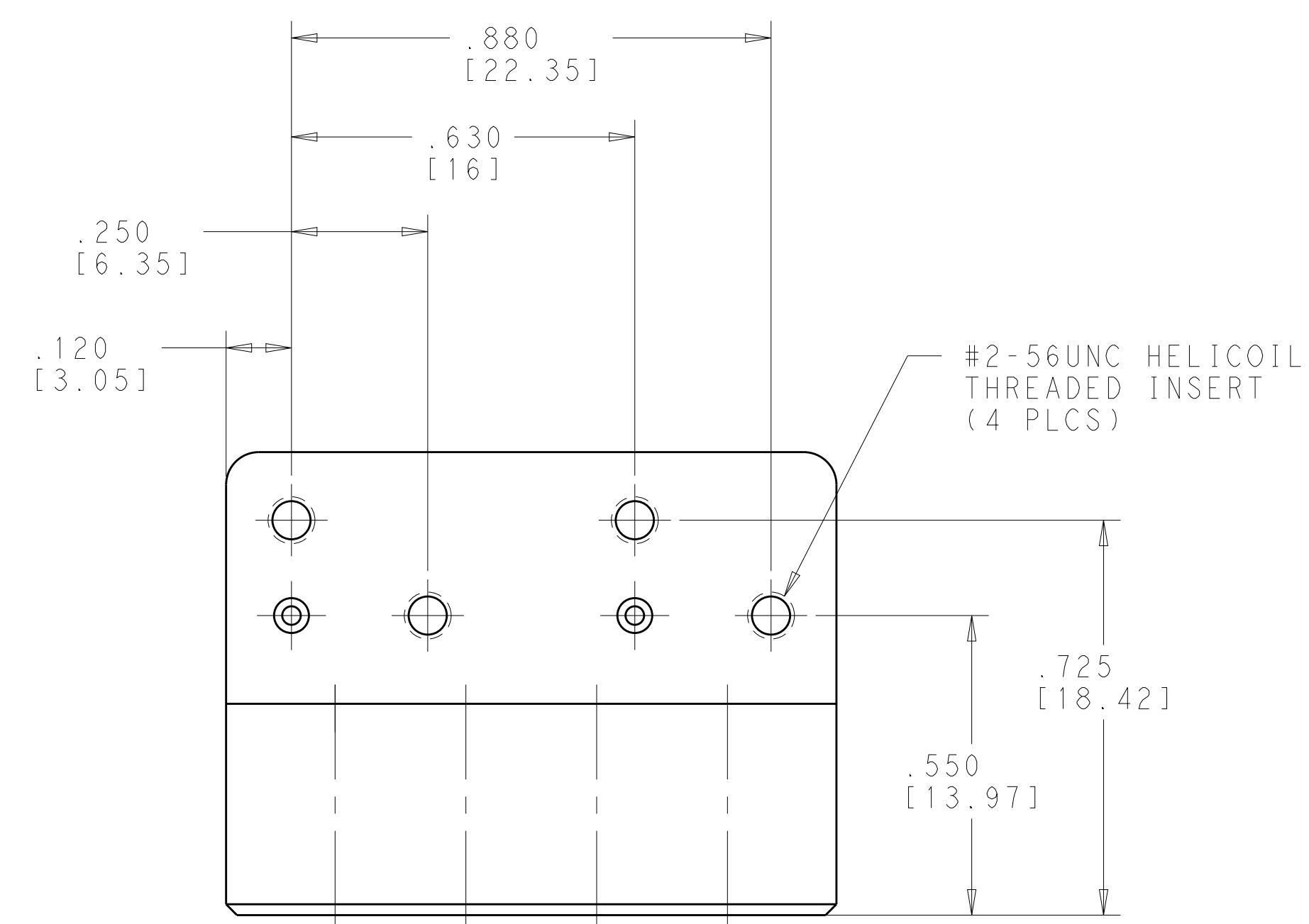


LOC		DIST		REVISIONS			
				DESCRIPTION	DATE	DWN	APVD
				E REV PER ECO 16-012318	10-12-16	CT	DW



- 1 MATERIAL: ALUMINUM ALLOY 6061-T6, (UNS A96061) PER ASTM B 221
- 2 FINISH: TRIVALENT CHROMATE CONVERSION COATING, PER MIL-DTL-5541F, CLASS 1A, TYPE II
- 3 PART MARKING: TE CONNECTIVITY PART NUMBER, CAGE CODE AND DATE CODE.
- 4 CAVITY IDENTIFICATION MARKING

2157340-4	△3 △4	2157340-4
N/A	N/A	2157340-3
PART MARKING	MARKING REQUIREMENT	PART NUMBER

THIS DRAWING IS A CONTROLLED DOCUMENT.		DWN: RJM 21JAN2011	STE TE Connectivity	
DIMENSIONS: INCHES(mm)		CHK: S.T. Morley 07DEC2010		
TOLERANCES UNLESS OTHERWISE SPECIFIED:		APVD: S.T. Morley 07DEC2010	NAME: 8 POSITION RF MODULE, P.C.B. MOUNT	
0 PLC ±.1	1 PLC ±.01	PRODUCT SPEC	VITA 67 DAUGHTER CARD	
2 PLC ±.01	3 PLC ±.001	APPLICATION SPEC	2-56 UNC-2B THREADED MOUNTING HOLES	
4 PLC ±.0001	ANGLES ±1.0°	SIZE: CAGE CODE DRAWING NO	A100779C=2157340	
MATERIAL: 1	FINISH: 2	WEIGHT: -	RESTRICTED TO: -	
CUSTOMER DRAWING		SCALE: 4:1	SHEET: 1 OF 1	REV: E