

THIS DRAWING IS UNPUBLISHED.

RELEASED FOR PUBLICATION

© COPYRIGHT copyright_date BY -

ALL RIGHTS RESERVED.

REVISIONS

P	LTR	DESCRIPTION	DATE	DWN	APVD
G		HOUSING MATERIAL SUPPLIER CHANGE	03JAN2019	KJK	PS
H		PLASTIC MATERIAL COLOR CHANGE	15MAR2023	AJK	SPS

POS. PER ROW 'N'	L	PART NUMBER
2	5.08	215316-2
3	7.62	-3
4	10.16	-4
5	12.70	-5
6	15.24	-6
7	17.78	-7
8	20.32	-8
9	22.86	-9
10	25.40	-0
11	27.94	1-
12	30.48	4-2
13	33.02	1- -3
14	35.56	1- -4
15	38.10	1- -5
16	40.64	1- -6
17	43.18	1- -7
18	45.72	1- -8
19	48.26	1- -9
20	50.80	2- -0
21	53.34	2- -1
22	55.88	2- -2
23	58.42	2- -3
24	60.96	2- -4
25	63.50	2- -5
26	66.04	2- -6
27	68.58	2- -7
28	71.12	2- -8
29	73.66	2- -9
30	76.20	3- -0
31	78.74	3- -1
32	81.28	3- -2
33	83.82	3- -3
34	86.36	3- -4
35	88.90	3- -5
36	91.44	3- 215316 -6

OBSOLETE

OBSOLETE

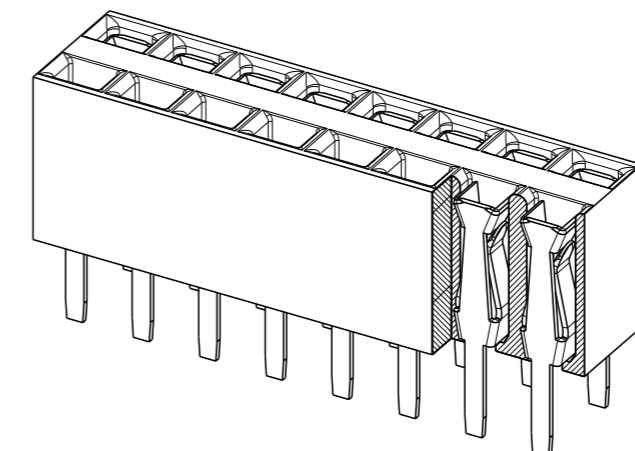
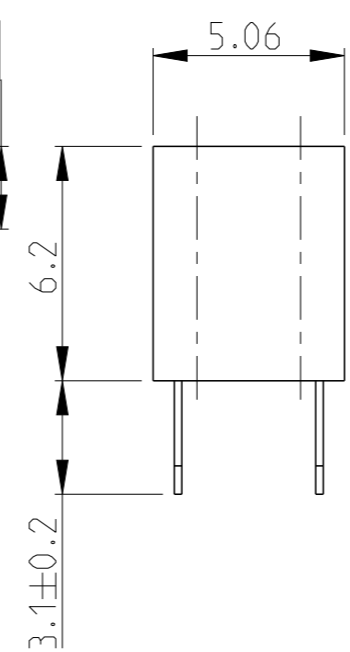
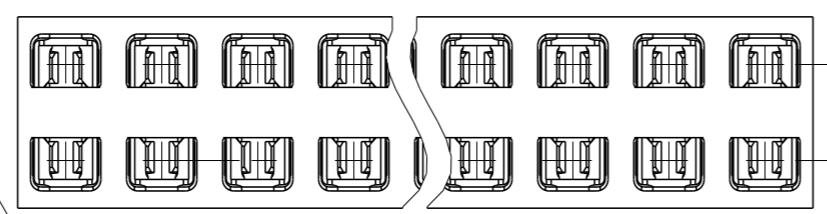
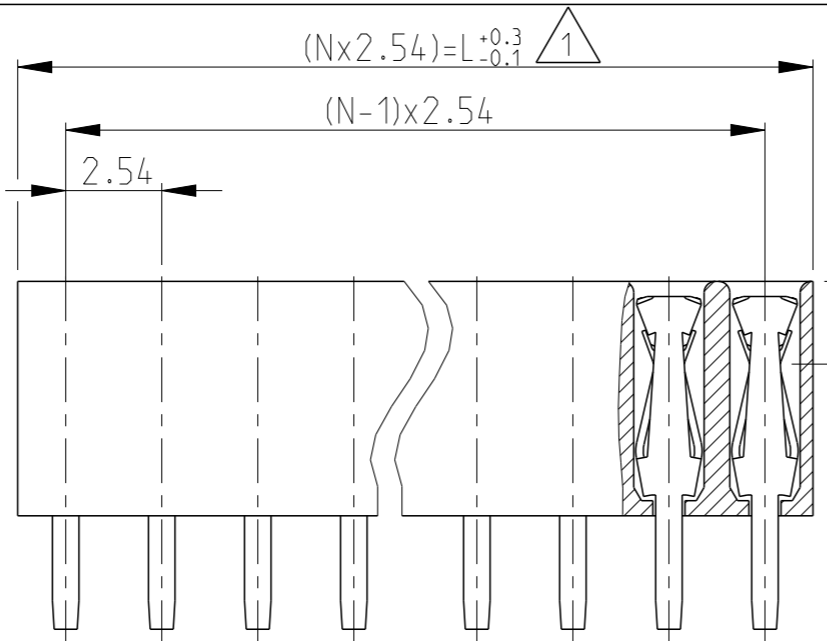
OBSOLETE

OBSOLETE

OBSOLETE

OBSOLETE

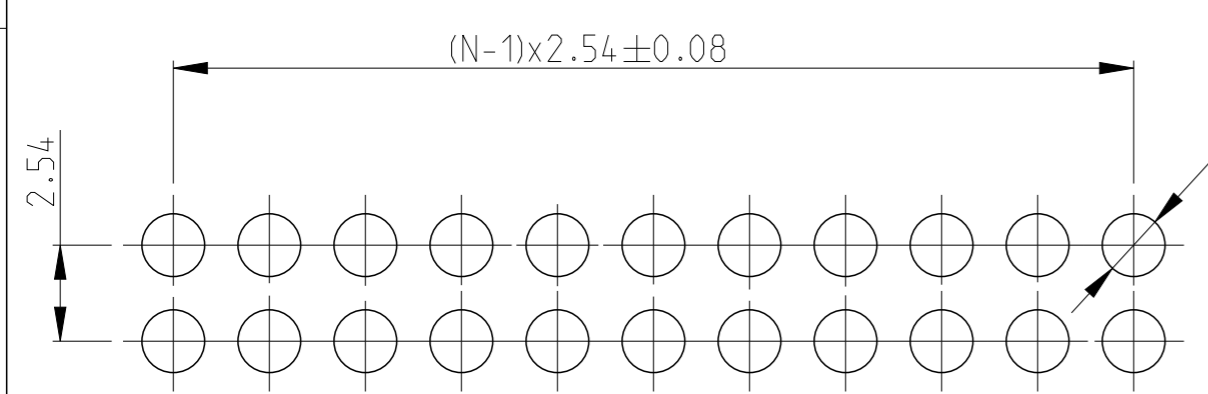
OBSOLETE



NOTES:

- 1 TO DETERMINE DIMENSIONS TAKE 2xN = NR. OF POS.
FOR EXAMPLE: 2x10 POS; N x 2.54= 25.4mm
FOR ORDER NR: USE BASIC - NR. + NR. OF POS.
FOR EXAMPLE: 2x2POS. = 215316-2 (SHORTEST VERSION)
2x36POS. =3-215316-6 (LONGEST VERSION)
- 2 HOUSING MATERIAL: PBT BLACK GLASS FILLED, UL94V-0
CONTACT MATERIAL: PHOSPHOR BRONZE
- 3 PLATING 2.5-4.0 µm TIN OVER 0.5 µm NICKEL.
- 4 MATES WITH 0.63 SQUARE/ROUND MODU POSTS.
- 5 CONTACT-POINT.
- 6 RECOMMENDED PC-BOARD THICKNESS: 1.6mm.
- 7 CONNECTORS PACKED IN ANTI-STATIC BLISTER TRAY.
- 8 OBSOLETE PARTS; OBSOLETE CIS STREAMLINING PER D.RENAUD/ D.SINISI

RECOMMENDED PCB LAYOUT



Ø1.62-1.70

SCALE 4:1

THIS DRAWING IS A CONTROLLED DOCUMENT.		DWN L.V.D HEYDEN	20MAY1986		STE TE Connectivity
DIMENSIONS: mm		CHK -	APVD -		
TOLERANCES UNLESS OTHERWISE SPECIFIED: ±0.15		PRODUCT SPEC 108-19056		NAME HV100 CONNECTOR VERTICAL, 6.2mm BOTTOM / TOP ENTRY, DUAL ROW, TIN	
0 PLC ± 1 PLC ± 2 PLC ± 3 PLC ± 4 PLC ± ANGLES ±		APPLICATION SPEC -		SIZE A3	CAGE CODE 00779
MATERIAL SEE NOTE 2		FINISH SEE NOTE 3		DRAWING NO C=215316	
-		-		RESTRICTED TO	
-		-		WEIGHT -	SCALE 5:1
-		-		SHEET 1 OF 1	
-		-		REV H	