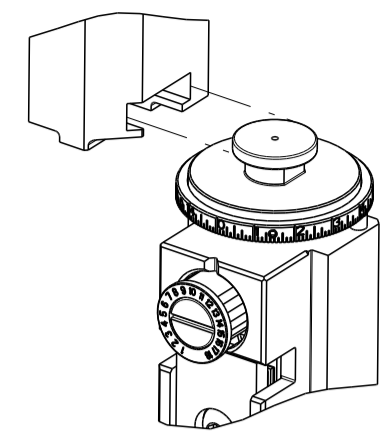


PART NUMBER	REVISION	DESCRIPTION	FEED TYPE
2151843-1	F	FINE CRIMP HEIGHT ADJUST	MECHANICAL
2151843-2	F	FINE CRIMP HEIGHT ADJUST	PNEUMATIC
7-2151843-1	F	MECHANICAL AND CRIMP TOOLING KIT	MECHANICAL
7-2151843-2	F	PNEUMATIC AND CRIMP TOOLING KIT	PNEUMATIC
7-2151843-7	B	CRIMP TOOLING KIT	-

ATLANTIC VERSION TERMINATOR INTERFACE ADAPTER

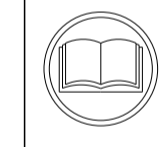


APPLICATOR DATA		
CRIMP	SIZE	TYPE
WIRE	1.57 mm [.062]	F
INSUL	2.03 mm [.080]	O

APPLICATOR INSTRUCTIONS
408-35042

TERMINAL DATA: HIROSE TERMINAL HIROSE CRIMP SPECIFICATION			
TERMINAL NAME: SOCKET			
WIRE STRIP LENGTH	INSULATION DIAMETER RANGE		
2.00-2.50 mm [.079-.098 IN]	Ø1.20-1.90 mm [.047-.075 IN]		
TERMINAL APPLICATION SPECIFICATION	TERMINALS APPLIED		
NONE			
TE TERMINAL	HIROSE TERMINAL	TE TERMINAL	HIROSE TERMINAL
286890-1	DF1B-2022SCFA	286890-2	DF1B-2022SCF

WIRE SIZE	CRIMP HEIGHT mm [INCH]	CRIMP HEIGHT REFERENCE SETTING
20 AWG	0.88 +/- 0.03 [.035 +/- .001]	7.9
22 AWG	0.82 +/- 0.03 [.032 +/- .001]	9.0
24 AWG	0.77 +/- 0.03 [.030 +/- .001]	9.2



- 1 RECOMMENDED SPARE PARTS
- 2 REFER TO SUPPLIED INSTRUCTION SHEET FOR CLEANING, LUBRICATION AND STORAGE OF APPLICATOR.
- 3 APPLY PART NUMBER 2-23419-6 LOCTITE TO THREADS OF ITEM 242.
- 4 CRIMP HEIGHT REFERENCE SETTING WAS THE SETTING USED WHEN THE APPLICATOR WAS QUALIFIED AT THE FACTORY. ADJUSTMENT MAY BE NECESSARY WHEN RUNNING APPLICATOR IN THE FIELD.
- 5. UNLESS SPECIFIED OTHERWISE TORQUE VALUES SHALL BE USED PER DOCUMENT, 101-35000.

***WARNING**
ON INSTALLATION, SET WIRE DISC TO CRIMP HEIGHT REFERENCE SETTING FOR LARGEST WIRE SIZE. CRIMP HEIGHT REFERENCE SETTINGS GREATER THAN THE VALUE SHOWN MAY CAUSE DAMAGE TO THE CRIMP TOOLING. REFER TO THE INSTRUCTION SHEET FOR PROPER SETUP AND ADJUSTMENTS.

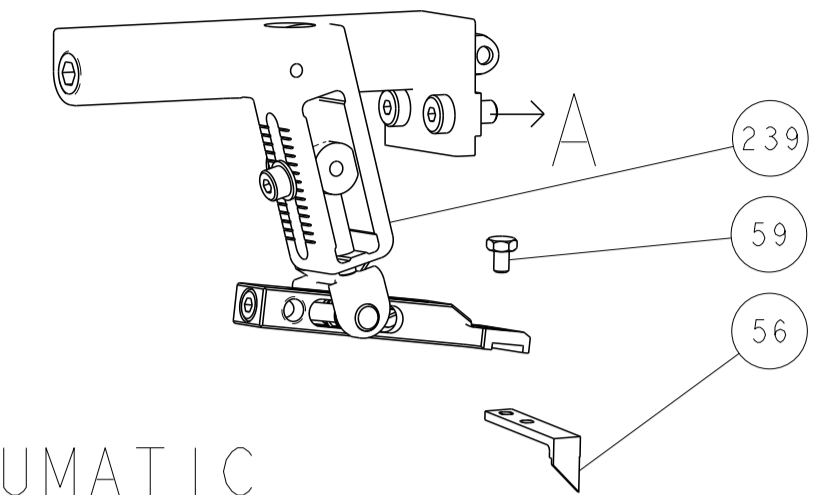
LOC	DIST	REVISIONS					
A	66	P	LTN	DESCRIPTION	DATE	OWN	APVD
		C		ECR-16-005015	06APR2016	MR	CT
		D		ECR-19-004658	24MAR2019	TB	CT
		E		ECR-23-185304	25AUG2023	JWC	TE
		F		ECR-24-198589	26JAN2024	FZ	GB

1	-	1	1	1	1	2280441-1	INSERT, SHEAR	282
	-	1	-	1	-	2119641-1	FEED CAM, AIR FEED	248
	-	1	1	1	1	2119082-8	CAM, SNAIL, INSULATION ADJUSTMENT	244
	-	1	1	1	1	2079764-1	WASHER, WAVE SPRING, CREST-TO-CREST	243
3	-	1	1	1	1	2119083-1	RETAINER, INSULATION DIAL	242
	-	2	2	2	2	7-18023-7	SCR, SKT HD CAP M3 X 4.0	241
	-	-	1	-	1	2119580-1	MECHANICAL FEED ASSEMBLY	239
	-	1	-	1	-	2844940-1	AIR FEED MODULE	238
	-	1	1	1	1	356885-4	STOP, SHEAR	237
	-	REF	REF	REF	REF	994970-2	COUNTER, MAGNETIC	164
	-	1	1	1	1	2844908-1	SCREW, LOCKING	99
	-	1	1	1	1	2844907-1	POST, LOCKING	98
	-	1	1	1	1	455888-7	SPACER, CRIMPER -	82
	-	1	1	1	1	240641-2	SPACER	81
	-	1	1	1	1	1803607-3	DOCUMENTATION PACKAGE	71
	-	1	1	1	1	2119740-1	TAG, IDENTIFICATION	67
	-	2	2	2	2	2168078-1	SCREW, DRIVE, RH, RoHS, 2 x .188	66
	-	1	1	1	1	2168083-2	SCR, SKT HD CAP, RoHS, M4 X 8.0	60
	-	1	1	1	1	5-18022-5	SCR, HEX HD CAP, M4 X 6.0	59
	-	1	1	1	1	1338685-1	PAWL, FEED	56
	-	4	4	4	4	2168083-3	SCR, SKT HD CAP, RoHS, M4 X 12.0	54
	-	2	2	2	2	2168083-8	SCR, SKT HD CAP, RoHS, M4 X 16	53
	-	1	2	1	2	18023-9	SCR, SKT HD CAP M4 X 6.0	49
	-	-	1	-	1	2119652-1	FEED CAM, PRE FEED	48
	-	-	1	-	1	2119653-1	FEED CAM, POST FEED	47
	-	1	1	1	1	1803583-9	APPLICATOR BASIC ASSEMBLY, SF	46
	-	1	1	1	1	1803515-1	RAM ASSEMBLY, SF ATLANTIC	44
	-	1	1	1	1	1803602-1	SCR, BHSC, RoHS (M8 X 25)	41
	-	2	2	2	2	2079383-5	SCR, BHSC, RoHS (M4 X 20)	33
	-	2	2	2	2	2-2844962-3	SPACER, CYLINDRICAL, STRIP GUIDE	30
	-	1	1	1	1	2844992-1	ASSEMBLY, STRIP GUIDE -	29
	-	1	1	1	1	1-455888-0	SPACER, CRIMPER -	28
	-	1	1	1	1	1320928-2	STRIP GUIDE	24
	-	1	1	1	1	2168083-2	SCR, SKT HD CAP, RoHS, M4 X 8.0	21
	-	2	2	2	2	1-18028-2	WASHER, FLAT, REG M4	20
	-	1	1	1	1	2119533-1	STRIPPER, SIDE FEED	19
	-	1	1	1	1	1-690518-9	HOLD DOWN, TERMINAL	18
1	-	1	1	1	1	690463-1	FLOATING SHEAR, REAR	17
	-	2	2	2	2	1-2168083-1	SCR, SKT HD CAP, RoHS, M3 X 6	16
1	-	1	1	1	1	1-690464-4	SHEAR PLATE, REAR	15
1	-	1	1	1	1	2119862-1	SHEAR HOLDER, REAR	14
1	-	1	1	1	1	2119806-1	INSERT, SHEAR	13
	-	2	2	2	2	3-22280-3	SPRING, COMPRESSION	12
	-	1	1	1	1	1-356885-4	STOP, SHEAR	11
1	-	1	1	1	1	2119805-1	SHEAR HOLDER, FRONT -	10
1	-	1	1	1	1	1803095-6	FLOATING SHEAR, FRONT -	9
1	1	2	2	1	1	1803336-5	ANVIL, COMBINATION	8
	-	1	1	1	1	1-240641-9	SPACER	7
	-	1	1	1	1	690468-1	DEPRESSOR SHEAR, REAR	6
	-	1	1	1	1	2119757-4	DEPRESSOR, SHEAR	5
	-	1	1	1	1	2-238011-5	BLOCK, CRIMPER SPACER	4
1	1	2	2	1	1	1803329-1	CRIMPER, INSULATION O PREMIUM	3
	-	1	1	1	1	455888-7	SPACER, CRIMPER -	2
1	1	2	2	1	1	1-1803325-1	CRIMPER, WIRE F -	1
	-	77	72	71	-2	-1	PART NO	
	-						DESCRIPTION	ITEM NO

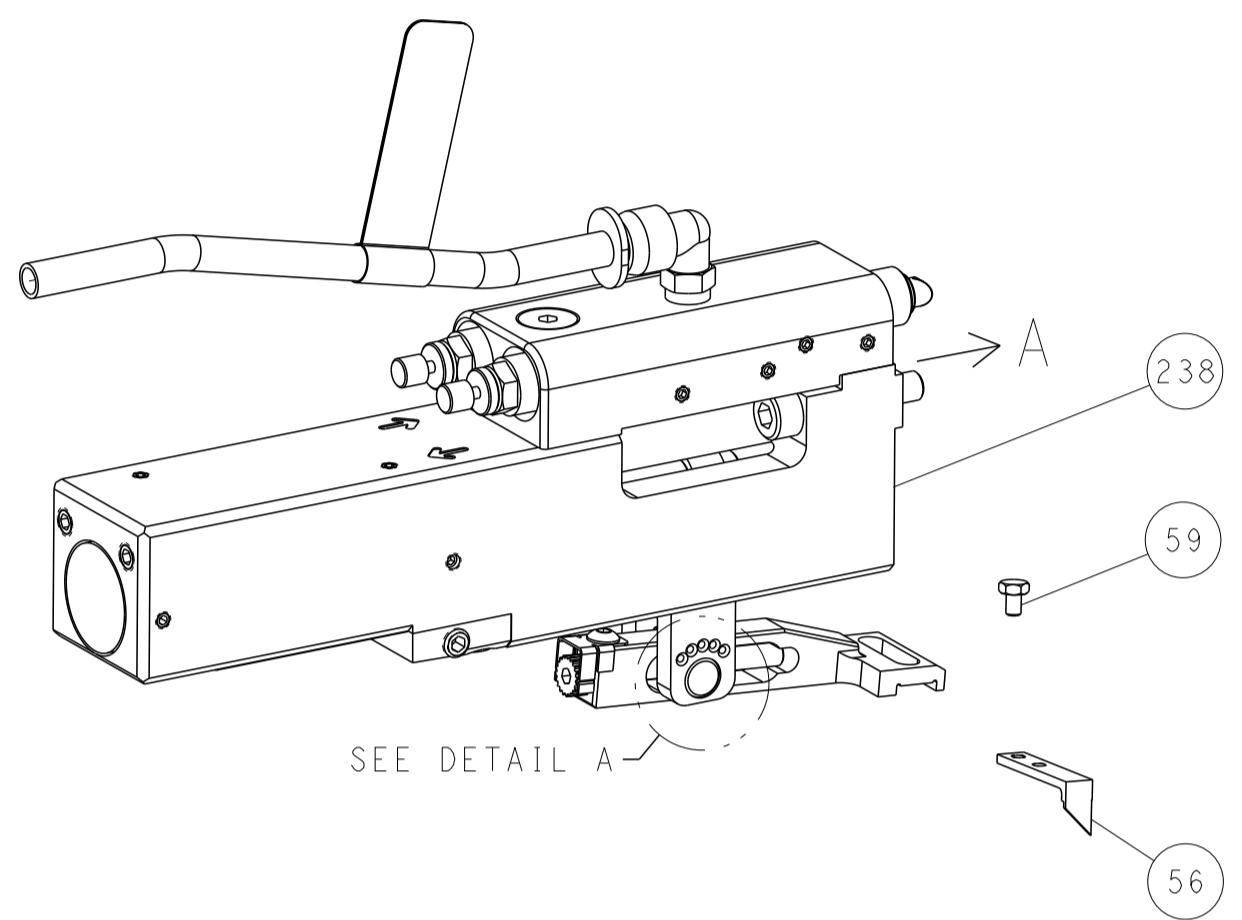
<small>THIS DRAWING IS UNPUBLISHED. IT IS THE PROPERTY OF STYCO ELECTRONICS CORPORATION. IT IS TO BE USED FOR THE MANUFACTURE OF THE PRODUCT SPECIFIED HEREIN. IT IS TO BE RETURNED TO STYCO ELECTRONICS CORPORATION UPON THE COMPLETION OF THE PROJECT. IT IS TO BE DESTROYED UPON THE COMPLETION OF THE PROJECT. IT IS TO BE DESTROYED UPON THE COMPLETION OF THE PROJECT.</small>		DWG: STAKEM 28DEC2012 CHK: G. BAILEY 28DEC2012 APVD: T. ELBIN 28DEC2012	TE Connectivity Harrisburg, PA 17105-3608
DIMENSIONS: mm 		TOLERANCES UNLESS OTHERWISE SPECIFIED: 0 PLC ± 1 PLC ± 2 PLC ± 3 PLC ± 4 PLC ± ANGLES ± FINISH	NAME: Ocean Side Feed Applicator SIZE: A1 CAGE CODE: 00779 DRAWING NO: C=2151843 RESTRICTED TO: - WEIGHT: - SCALE: 1:2 SHEET: 1 OF 4 REV: F
MATERIAL: - FINISH: -		WEIGHT: - SCALE: 1:2 SHEET: 1 OF 4 REV: F	Customer Accessible Production Drawing

LOC		DIST		REVISIONS			
A	66	P	LTM	DESCRIPTION	DATE	OWN	APVD
		-		SEE SHEET 1			

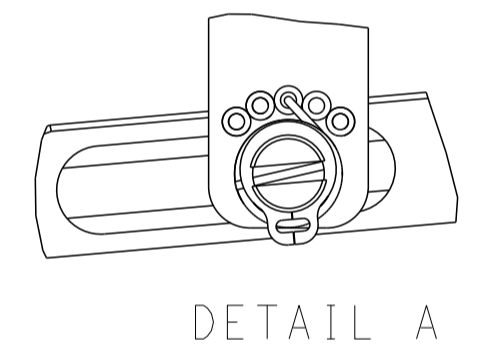
FEED TYPE MECHANICAL



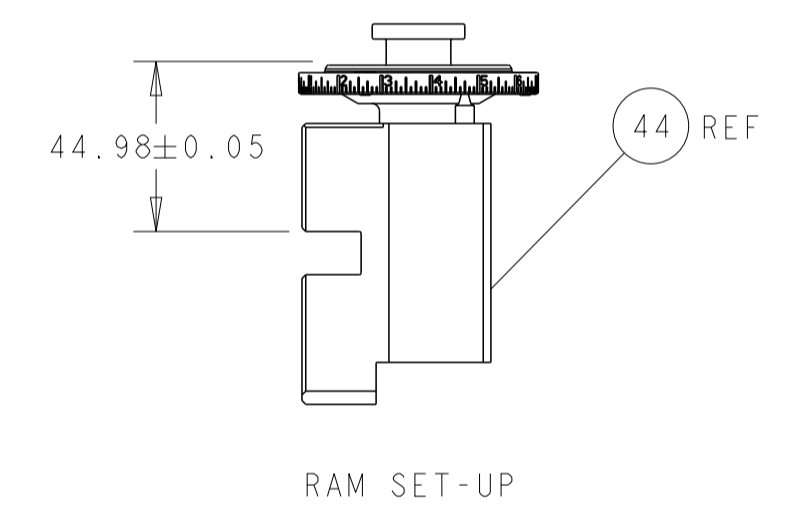
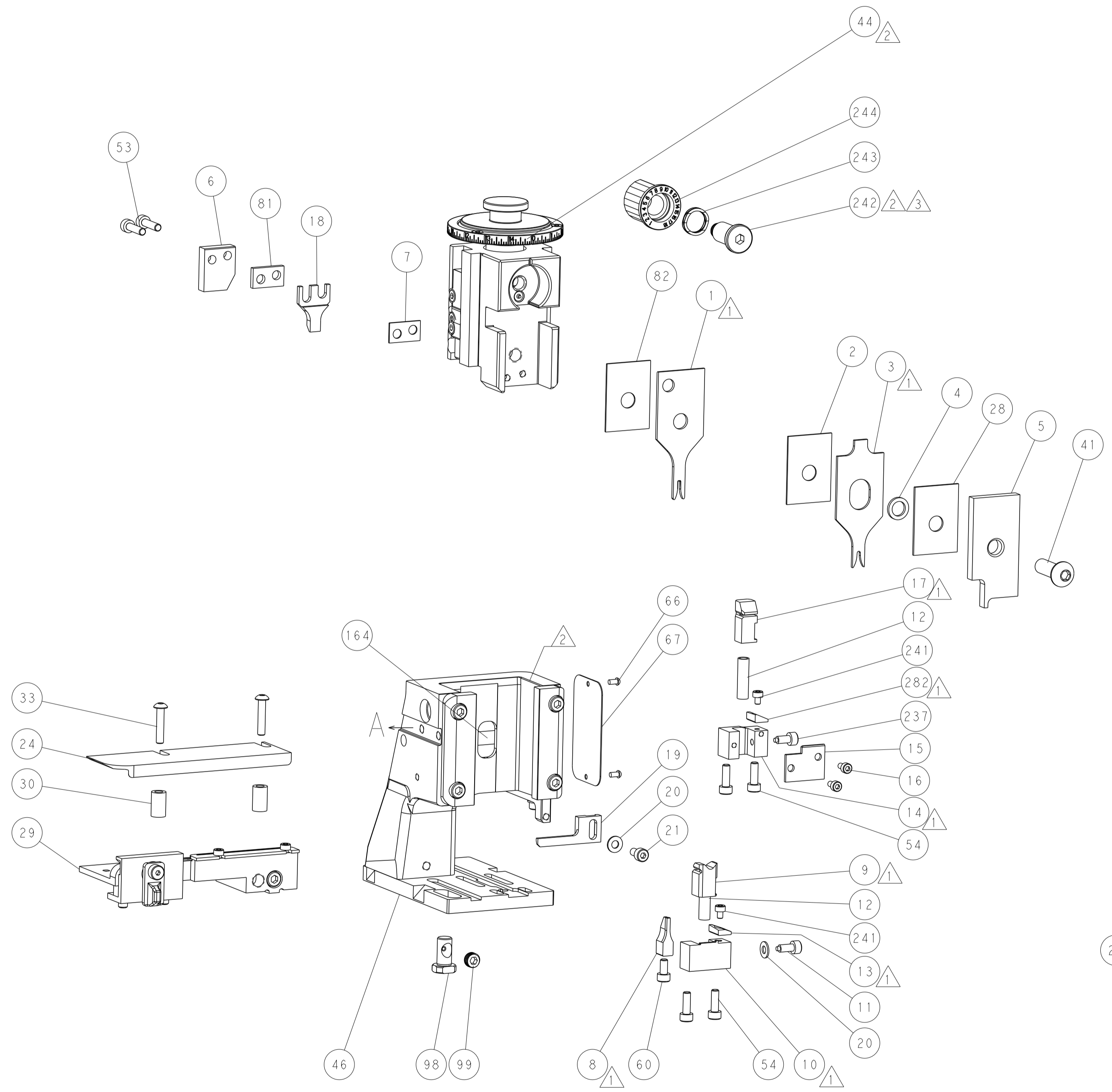
PNEUMATIC



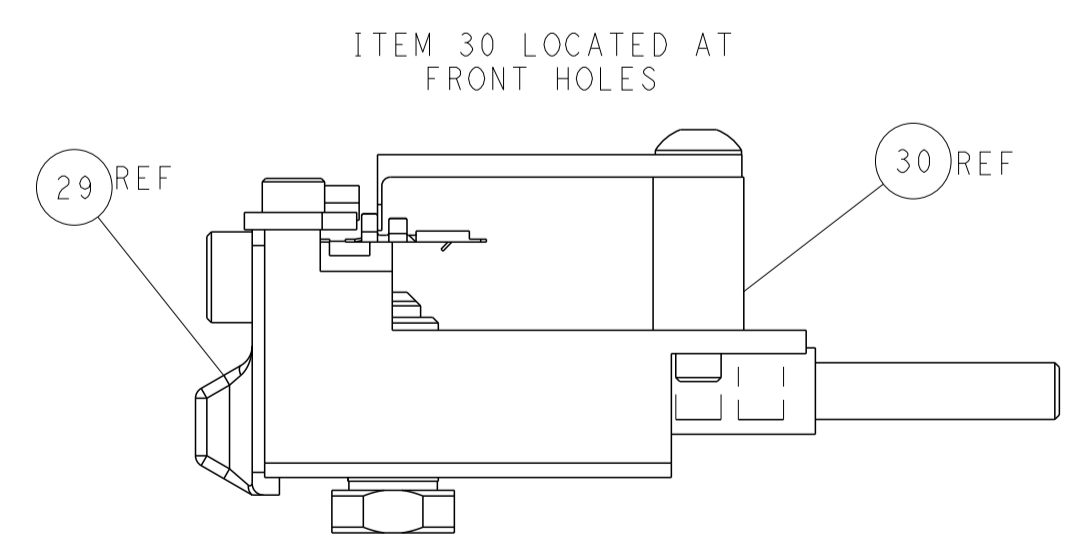
FEED SPRING SETTING POSITION (SHOWN FROM REAR SIDE)



DETAIL A

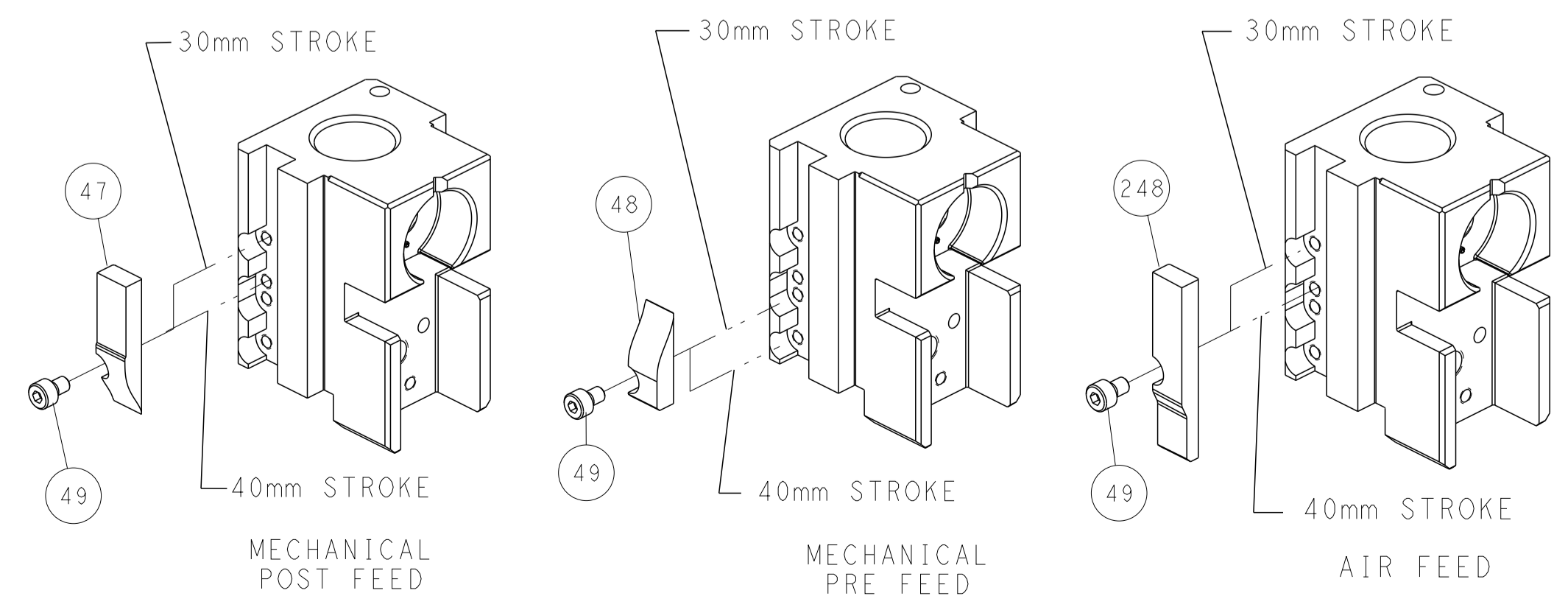


RAM SET-UP



FEED TRACK POSITION GUIDE BY INSULATION BARREL

CAM POSITIONS



DIMENSIONS:		TOLERANCES UNLESS OTHERWISE SPECIFIED:		DWN: STAKEM 28DEC2012		TE Connectivity	
mm		0 PLC ±		CHK: G. BAILEY 28DEC2012		Harrisburg, PA 17105-3608	
		1 PLC ±		APVD: J. ELBIN 28DEC2012		NAME: Ocean Side Feed Applicator	
		2 PLC ±		PRODUCT SPEC		SIZE: CAGE CODE DRAWING NO	
		3 PLC ±		APPLICATION SPEC		RESTRICTED TO	
		4 PLC ±		MATERIAL		SCALE: 1:2 SHEET 2 OF 4 REV F	
		5 PLC ±		WEIGHT		A 00779 ©=2151843	
		FINISH		Customer Accessible Production Drawing			