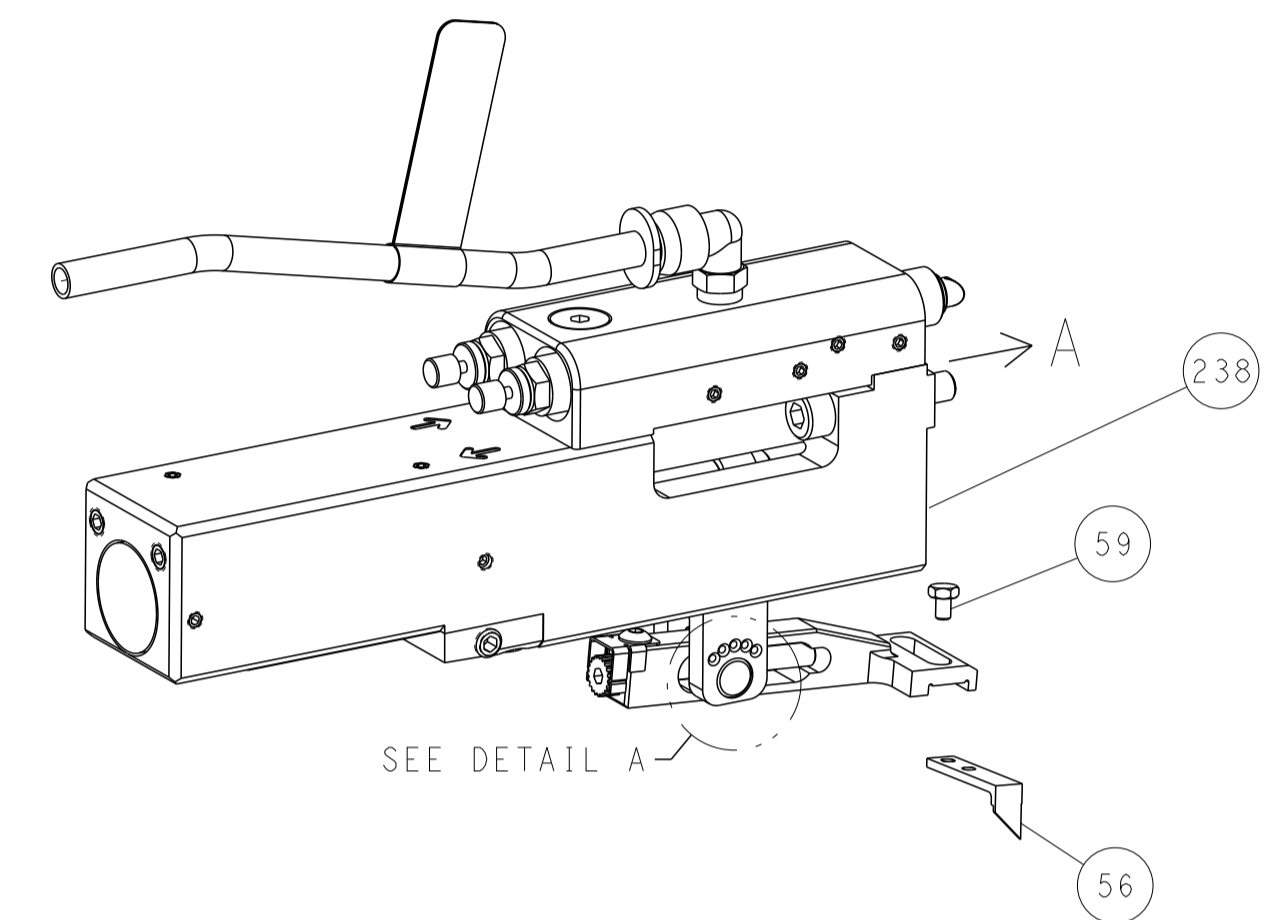
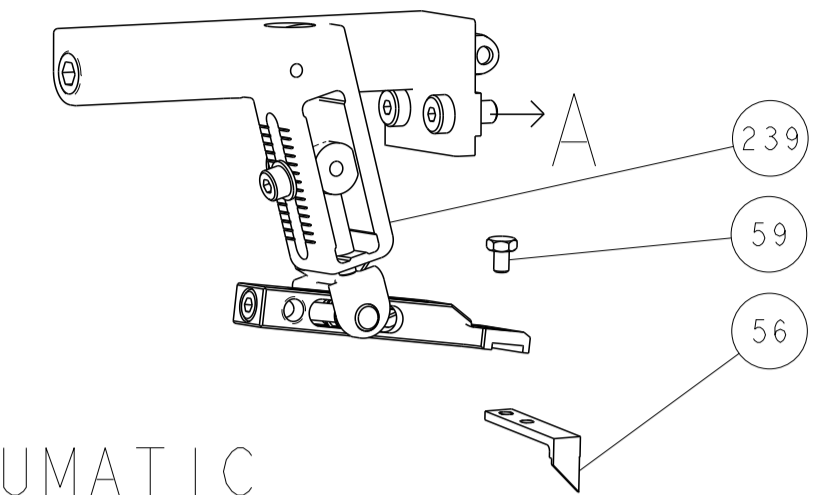


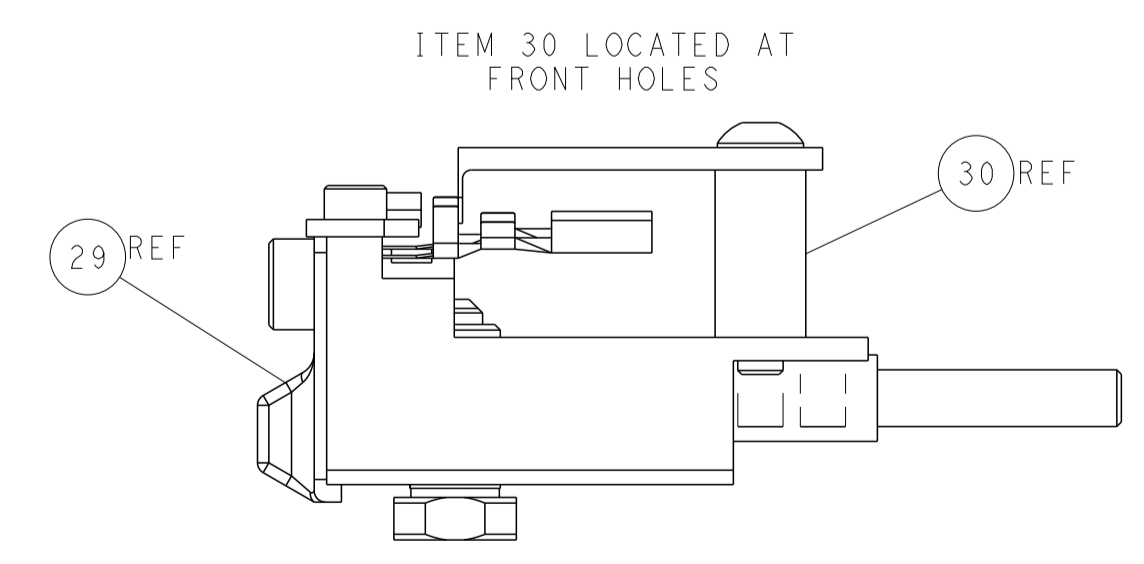
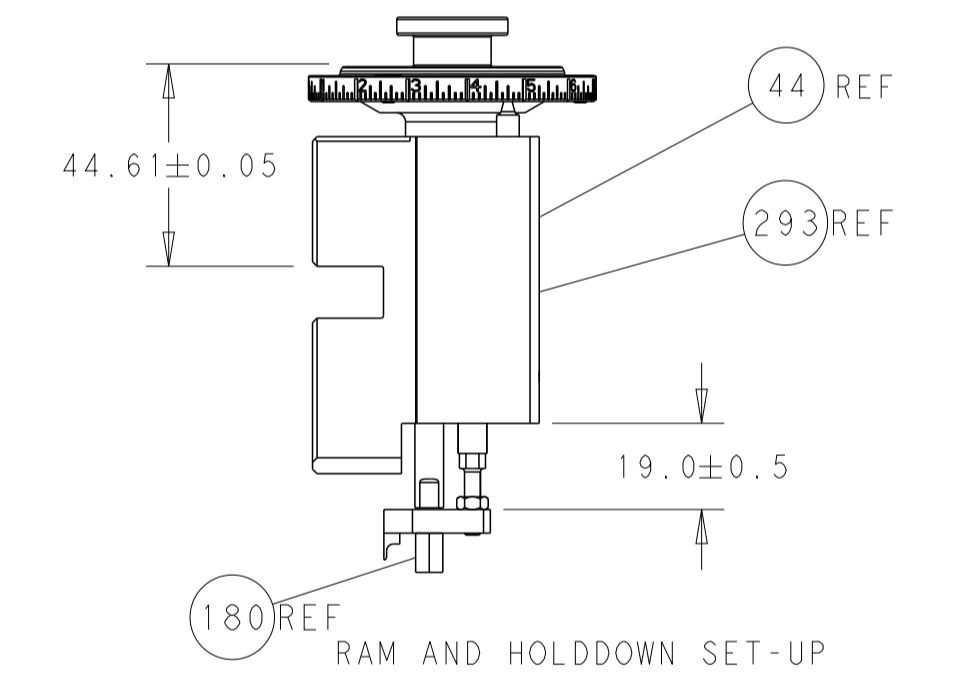
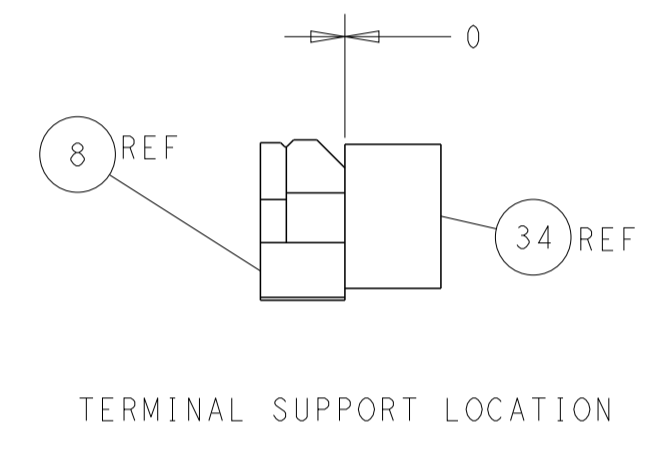
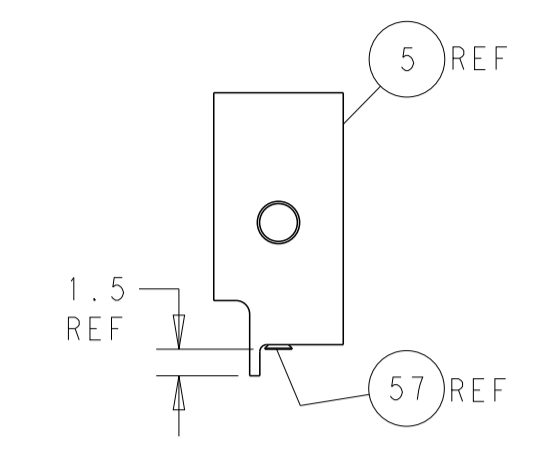
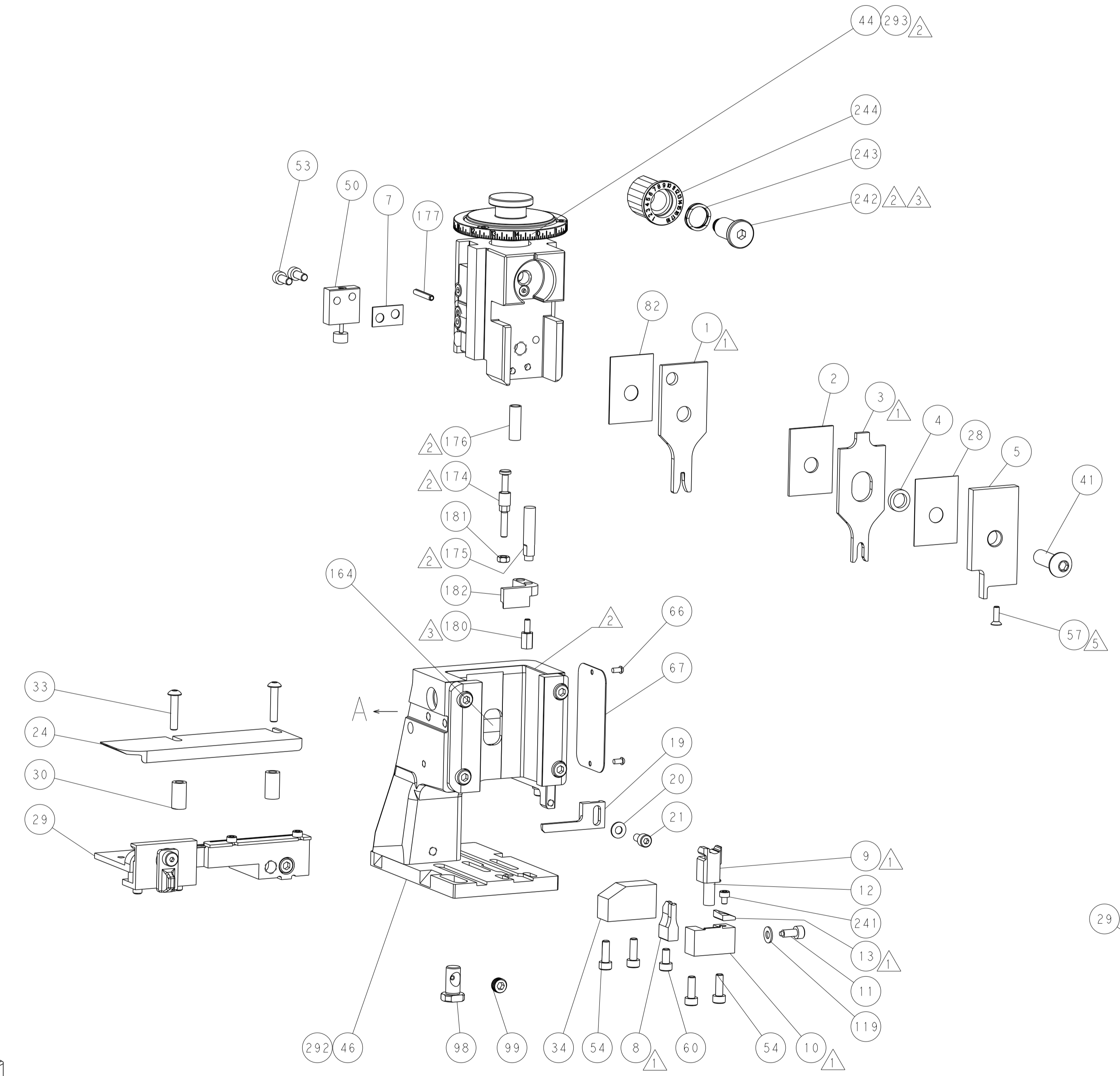
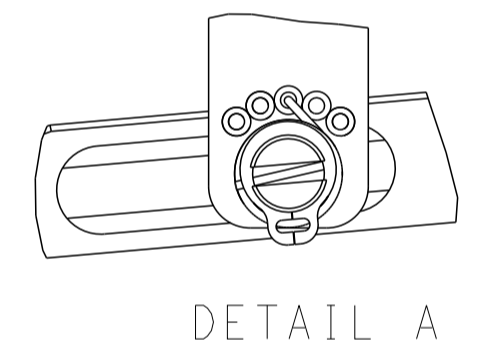


LOC	DIST	REVISIONS					
A	66	P	LYR	DESCRIPTION	DATE	OWN	APVD
		-		SEE SHEET 1	-	-	-

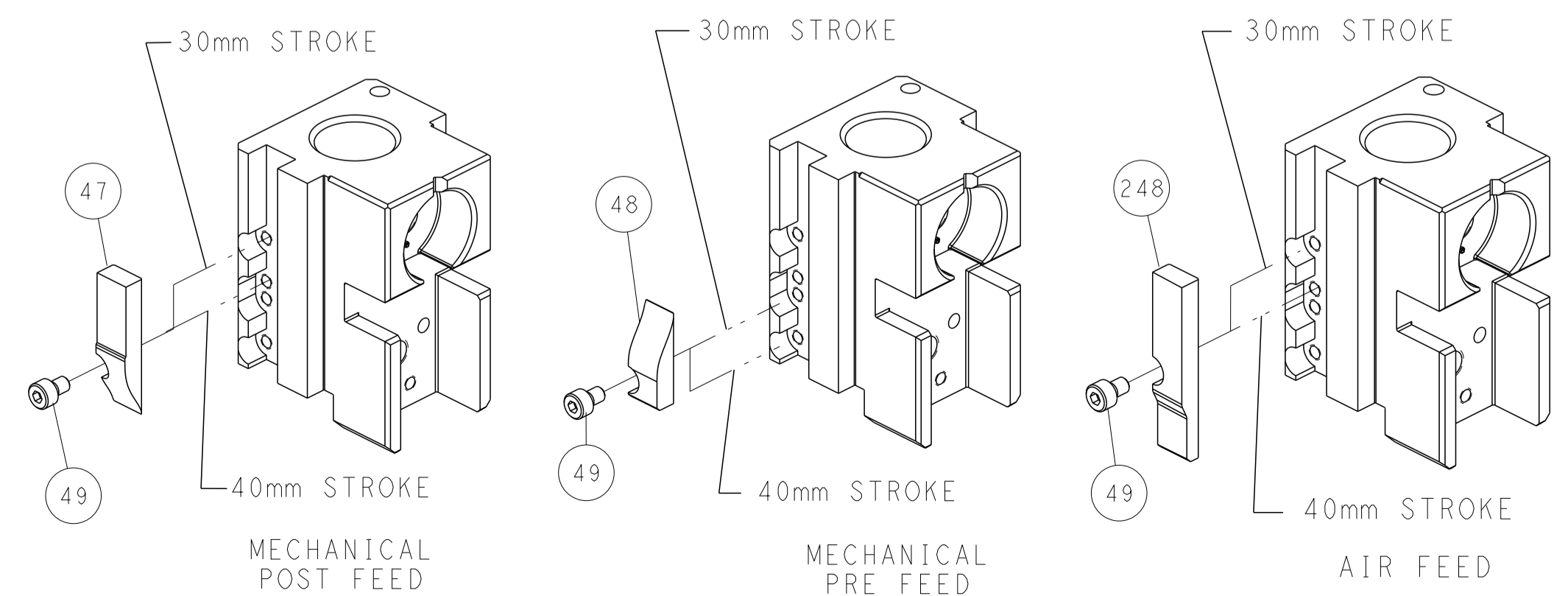
# FEED TYPE MECHANICAL



FEED SPRING SETTING POSITION (SHOWN FROM REAR SIDE)



# CAM POSITIONS



DIMENSIONS:		TOLERANCES UNLESS OTHERWISE SPECIFIED:		DWN: C. CHEN 14MAR2013		TE Connectivity	
mm	0 PLC ±	1 PLC ±	2 PLC ±	3 PLC ±	4 PLC ±	Harrisburg, PA 17105-3608	
MATERIAL:		FINISH:		CHK: L. ZHANG 14MAR2013		NAME: Ocean Side Feed Applicator	
				APVD: J. CRUZ 14MAR2013		PRODUCT SPEC:	
						APPLICATION SPEC:	
						SIZE: A1	
						CAGE CODE: 00779	
						DRAWING NO: 2151520	
						RESTRICTED TO:	
						Customer Accessible Production Drawing	
						SCALE: 1:2	
						SHEET 2 OF 4	
						REV D	