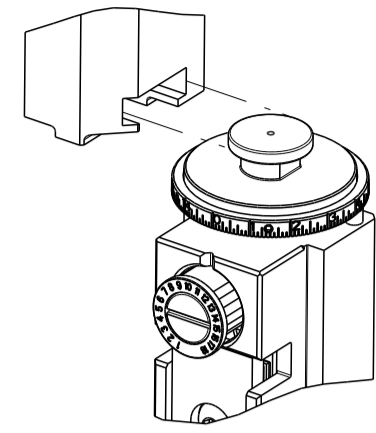


PART NUMBER	REVISION	DESCRIPTION	FEED TYPE
2151104-1	L	FINE CRIMP HEIGHT ADJUST	MECHANICAL
2151104-2	L	FINE CRIMP HEIGHT ADJUST	PNEUMATIC
5-2151104-1	L	SEAL STRIPPER CRIMPER TERMINATING UNIT	MECHANICAL
5-2151104-2	L	SEAL STRIPPER CRIMPER TERMINATING UNIT	PNEUMATIC
7-2151104-7	J	CRIMP TOOLING KIT	-

ATLANTIC VERSION TERMINATOR INTERFACE ADAPTER



APPLICATOR DATA		
CRIMP	SIZE	TYPE
WIRE	1.40 mm [.055]	F
INSUL	2.90 mm [.114]	O

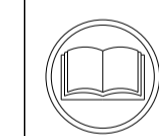
APPLICATOR INSTRUCTIONS 408-35042

TERMINAL DATA: TE TERMINAL		TE CRIMP SPECIFICATION	
TERMINAL NAME: MICRO QUADLOCK SYSTEM W/SEAL			
WIRE STRIP LENGTH		TERMINAL INSULATION DIAMETER RANGE	
3.05-3.35 mm [1.20-.132 IN]		Ø0.90-1.90 mm [0.035-.075 IN]	
TERMINAL APPLICATION SPECIFICATION	114-18025		

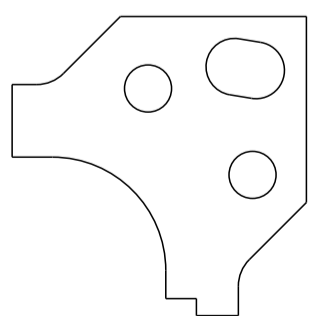
TERMINALS APPLIED				SEAL INSULATION DIAMETER RANGE
TE TERMINAL	TE TERMINAL	TE SEAL	TE SEAL	
962885-1	962886-1		967067-1	1.4-2.1 mm
962885-5	962886-2		967067-2	0.9-1.4 mm
962885-6	1-962886-1		963142-2	0.9-1.3 mm
2-962885-5	2-962886-2			
5-962885-1	5-962886-1			
5-962885-5	5-962886-2			
5-962885-6	5-962886-3			
7-962885-5	7-962886-2			

WIRE SIZE	CRIMP HEIGHT mm [INCH]	CRIMP HEIGHT REFERENCE SETTING
0.35mm2	0.76 +/- 0.03 [0.030 +/- .001]	8.7
0.25mm2	0.72 +/- 0.03 [0.028 +/- .001]	9.1

***WARNING**
ON INSTALLATION, SET WIRE DISC TO CRIMP HEIGHT REFERENCE SETTING FOR LARGEST WIRE SIZE. CRIMP HEIGHT REFERENCE SETTINGS GREATER THAN THE VALUE SHOWN MAY CAUSE DAMAGE TO THE CRIMP TOOLING. REFER TO THE INSTRUCTION SHEET FOR PROPER SETUP AND ADJUSTMENTS.



- RECOMMENDED SPARE PARTS
- REFER TO SUPPLIED INSTRUCTION SHEET FOR CLEANING, LUBRICATION AND STORAGE OF APPLICATOR.
- APPLY PART NUMBER 1-23419-5 LOCTITE TO THREADS OF ITEMS 180. APPLY PART NUMBER 2-23419-6 LOCTITE TO THREADS OF ITEM 242.
- CRIMP HEIGHT REFERENCE SETTING WAS THE SETTING USED WHEN THE APPLICATOR WAS QUALIFIED AT THE FACTORY. ADJUSTMENT MAY BE NECESSARY WHEN RUNNING APPLICATOR IN THE FIELD.
- APPLY TORQ-SEAL IN ALLEN SOCKET TO FILL HOLE AFTER FLAT HD HAS BEEN ADJUSTED TO CORRECT HEIGHT AT QUALIFICATION. APPLY #1-23419-5 LOC-TITE TO THREADS.
- POSITION THE HOLD DOWN, ITEM 18, IN ORIENTATION 1. FOR ALL TERMINALS LISTED IN THE 'TERMINAL APPLIED' TABLE.
*NOTE ORIENTATION 2 OF ITEM 18 IS NOT TO BE USE FOR THIS APPLICATION.



7. UNLESS SPECIFIED OTHERWISE TORQUE VALUES SHALL BE USED PER DOCUMENT, 101-35000.

LOC	DIST	REVISIONS					
A	66	P	LTN	DESCRIPTION	DATE	OWN	APVD
		K		ECR-19-009764	22JUN2019	TB	TE
		L		ECR-19-013112	21AUG2019	FZ	GB
		L1		ECR-21-003710	26MAR2021	FJ	YY
		L3		ECR-24-209478	21MAY2024	ROY	TLE

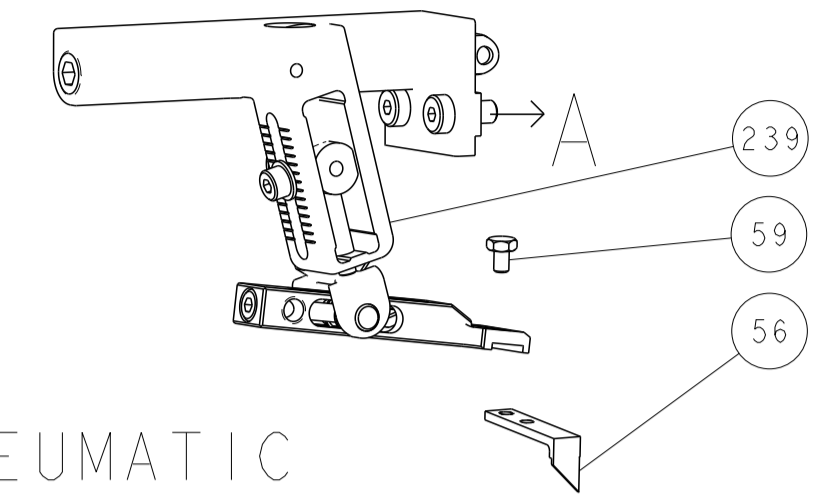
-	1	1	-	-	1803515-3	RAM ASSEMBLY, SF ATLANTIC	293
-	1	1	-	-	2-1803583-1	APPLICATOR BASIC ASSEMBLY, SF	292
-	1	-	1	-	2119641-1	FEED CAM, AIR FEED	248
-	1	1	1	1	2119082-8	CAM, SNAIL, INSULATION ADJUSTMENT	244
-	1	1	1	1	2079764-1	WASHER, WAVE SPRING, CREST-TO-CREST	243
-	1	1	1	1	2119083-1	RETAINER, INSULATION DIAL	242
-	1	1	1	1	7-18023-7	SCR, SKT HD CAP M3 X 4.0	241
-	-	1	-	1	2119580-1	MECHANICAL FEED ASSEMBLY	239
-	1	-	1	-	2844940-1	AIR FEED MODULE	238
-	1	1	-	-	4-1722335-3	STRIPPER, SIDE FEED	182
-	1	1	-	-	1-5018030-0	NUT, HEX, REG, RoHS, M3.5	181
-	1	1	-	-	1-1752354-6	STANDOFF, HOLD-DOWN	180
-	1	1	-	-	993111-1	PIN, SLOTTED SPRING 3.0 X 20.0	177
-	1	1	-	-	5-22280-0	SPRING, COMPRESSION	176
-	1	1	-	-	1752353-3	GUIDE PIN, HOLDDOWN	175
-	1	1	-	-	1901680-2	GUIDE PIN, HOLDDOWN	174
-	REF	REF	REF	REF	994970-2	COUNTER, MAGNETIC	164
-	1	1	1	1	2844908-1	SCREW, LOCKING	99
-	1	1	1	1	2844907-1	POST, LOCKING	98
-	1	1	1	1	455888-6	SPACER, CRIMPER -	82
-	1	1	1	1	1803607-3	DOCUMENTATION PACKAGE	71
-	1	1	1	1	2119740-1	TAG, IDENTIFICATION	67
-	2	2	2	2	2168078-1	SCREW, DRIVE, RH, RoHS, 2 x .188	66
-	1	1	1	1	2168083-2	SCR, SKT HD CAP, RoHS, M4 X 8.0	60
-	1	1	1	1	5-18022-5	SCR, HEX HD CAP, M4 X 6.0	59
-	1	1	1	1	985575-3	SCR, FLT SKT HD CAP M3 X 10.0	57
-	1	1	1	1	1338685-1	PAWL, FEED	56
-	4	4	4	4	2168083-3	SCR, SKT HD CAP, RoHS, M4 X 12.0	54
-	2	2	2	2	2168083-2	SCR, SKT HD CAP, RoHS, M4 X 8.0	53
-	1	2	1	2	18023-9	SCR, SKT HD CAP M4 X 6.0	49
-	-	1	-	1	2119652-1	FEED CAM, PRE FEED	48
-	-	1	-	1	2119653-1	FEED CAM, POST FEED	47
-	-	-	1	1	1803583-9	APPLICATOR BASIC ASSEMBLY, SF	46
-	-	-	1	1	1803515-1	RAM ASSEMBLY, SF ATLANTIC	44
-	1	1	1	1	1803602-1	SCR, BHSC, RoHS (M8 X 25)	41
-	1	1	1	1	1752356-6	SUPPORT, TERMINAL	34
-	2	2	2	2	2079383-5	SCR, BHSC, RoHS (M4 X 20)	33
-	2	2	2	2	2-2844962-8	SPACER, CYLINDRICAL, STRIP GUIDE	30
-	1	1	1	1	2844992-1	ASSEMBLY, STRIP GUIDE -	29
-	1	1	1	1	455888-3	SPACER, CRIMPER -	28
-	1	1	1	1	1320928-2	STRIP GUIDE -	24
-	-	-	1	1	2168083-2	SCR, SKT HD CAP, RoHS, M4 X 8.0	21
-	3	3	4	4	1-18028-2	WASHER, FLAT, REG M4	20
-	-	-	1	1	2119533-1	STRIPPER, SIDE FEED	19
-	1	1	1	1	2217529-1	TERMINAL HOLD DOWN	18
-	1	1	1	1	2119806-1	INSERT, SHEAR	13
-	1	1	1	1	3-22280-3	SPRING, COMPRESSION	12
-	1	1	1	1	1-356885-4	STOP, SHEAR	11
-	1	1	1	1	2119805-1	SHEAR HOLDER, FRONT -	10
-	1	1	1	1	318707-1	FLOATING SHEAR, FRONT	9
1	1	1	1	1	8-1333201-8	ANVIL, COMBINATION	8
-	1	1	1	1	4-240641-2	SPACER	7
-	1	1	1	1	2119781-1	DEPRESSOR, SHEAR	5
-	1	1	1	1	1-238011-7	BLOCK, CRIMPER SPACER	4
1	1	1	1	1	8-2119784-2	CRIMPER, INSULATION O PREMIUM	3
-	1	1	1	1	455888-7	SPACER, CRIMPER -	2
1	1	1	1	1	1-562108-5	WIRE CRIMPER Drahtcrimper	1

DIMENSIONS:		TOLERANCES UNLESS OTHERWISE SPECIFIED:		MATERIAL:		FINISH:	
mm	0 PLC ±	1 PLC ±	2 PLC ±	3 PLC ±	4 PLC ±	ANGLES ±	
MATERIAL		FINISH		WEIGHT		SCALE	
				A 00779		C=2151104	

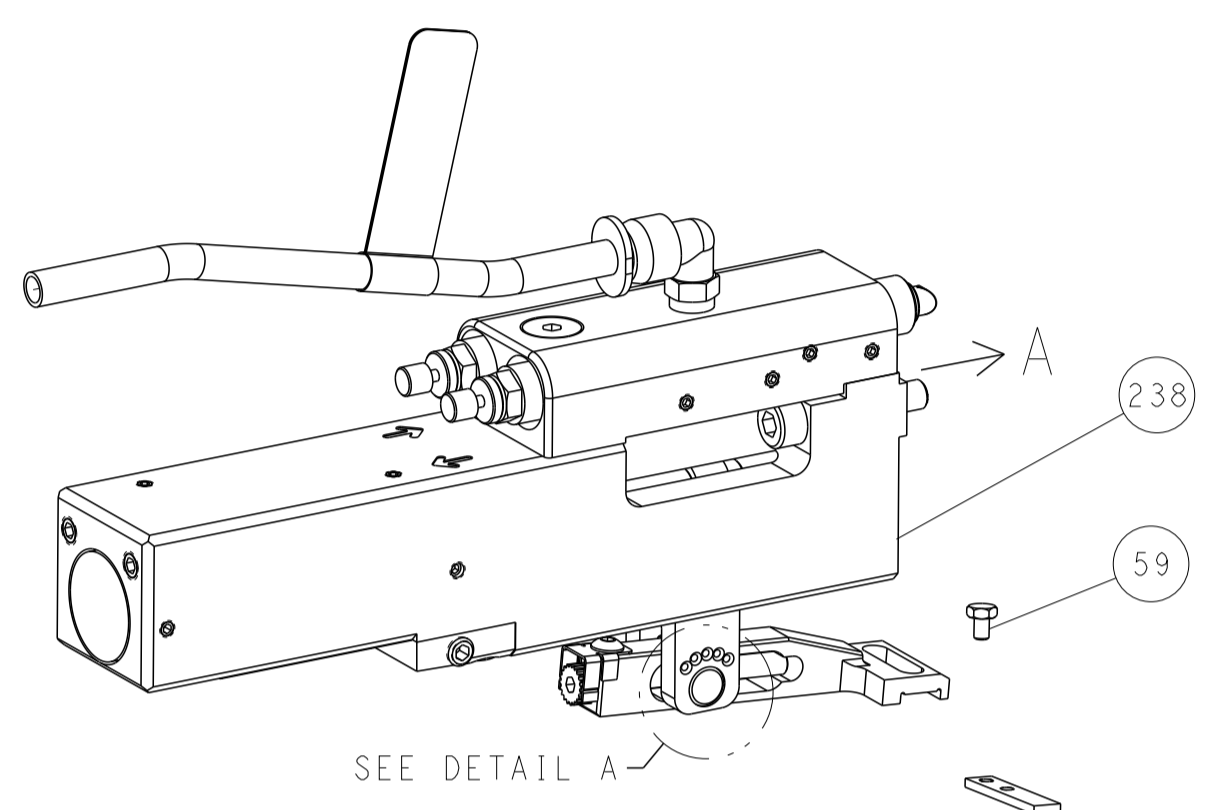
OWN	CHK	APVD	NAME	SIZE	CAGE CODE	DRAWING NO	RESTRICTED TO
STAKEM	G. BAILEY	T. ELBIN	Ocean Side Feed Applicator	A1	00779	C=2151104	1 of 4

CUSTOMER ACCESSIBLE PRODUCTION DRAWING SCALE 1:2 SHEET 1 OF 4 REV 1.3

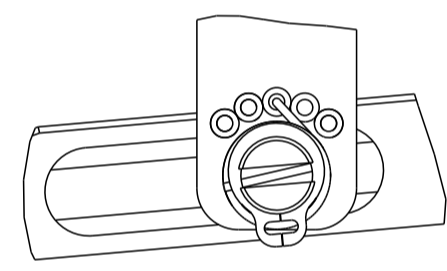
FEED TYPE MECHANICAL



PNEUMATIC

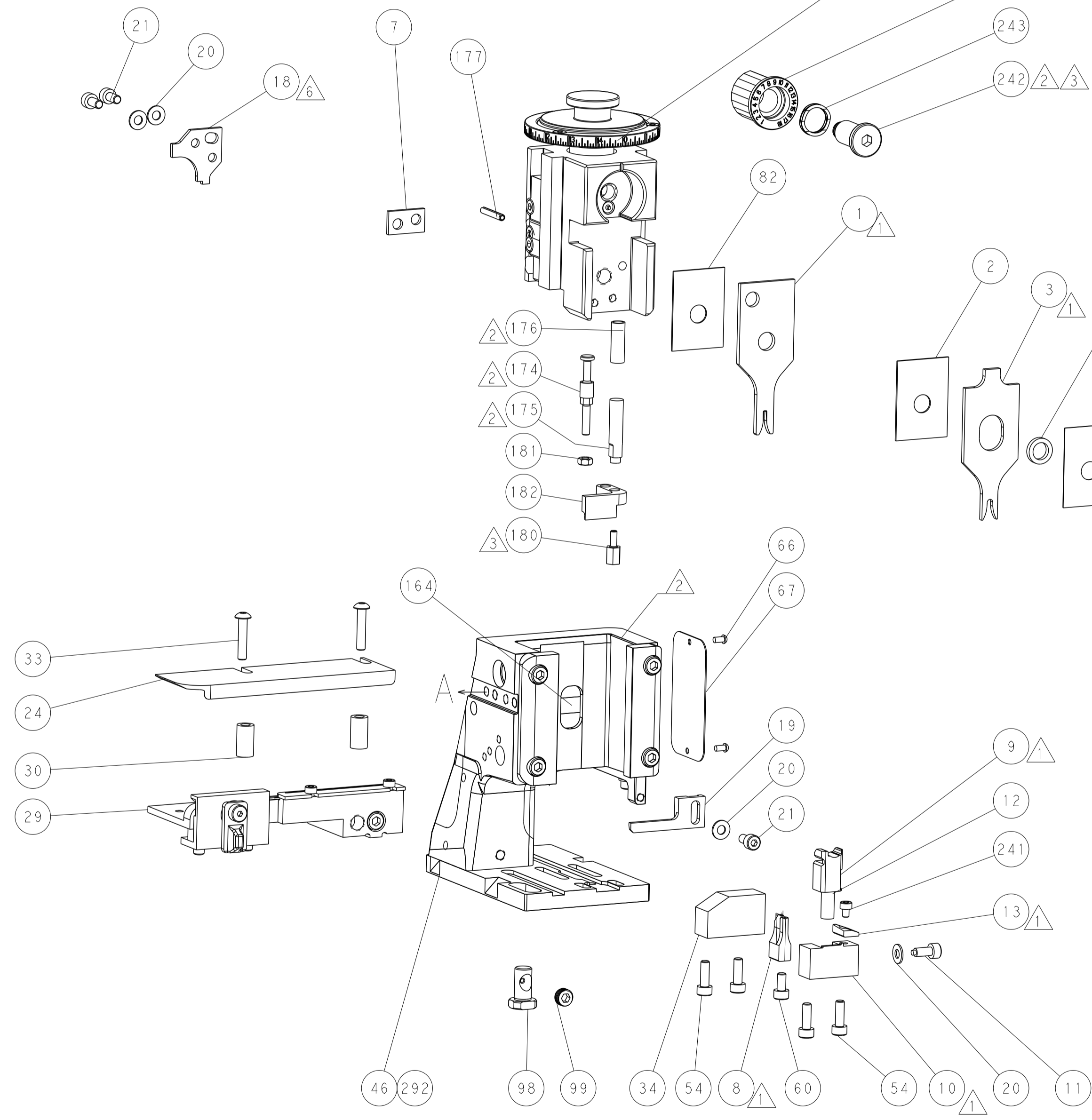
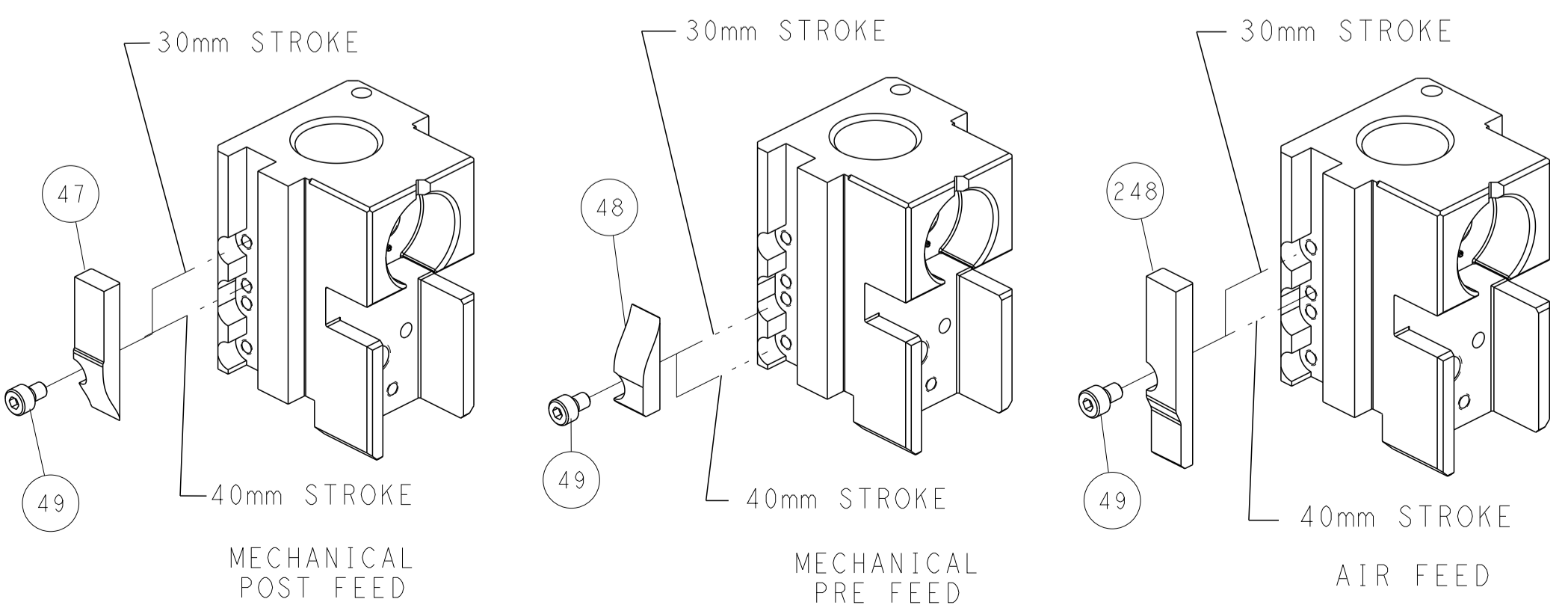


SEE DETAIL A
 FEED SPRING SETTING POSITION
 (SHOWN FROM REAR SIDE)

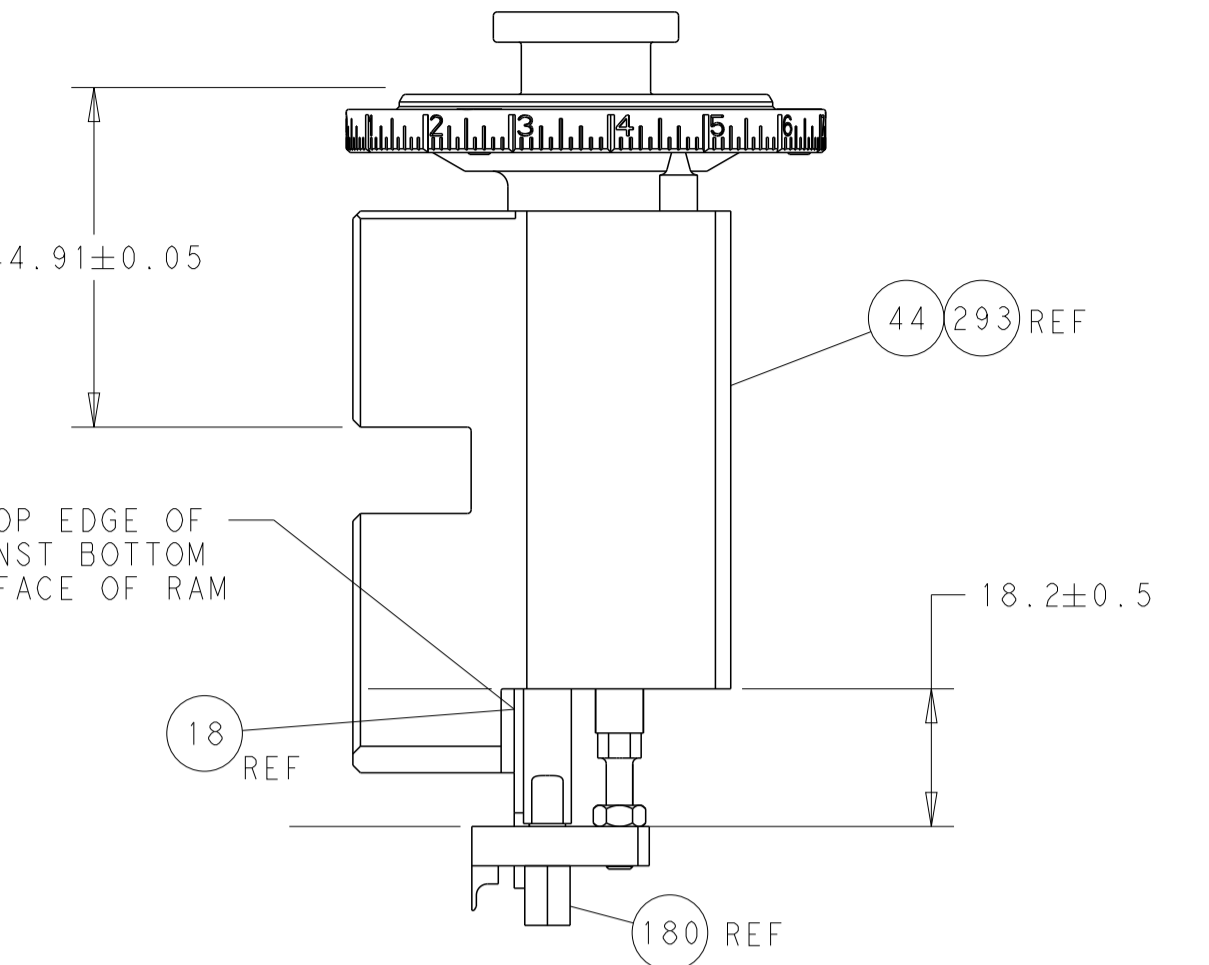


DETAIL A

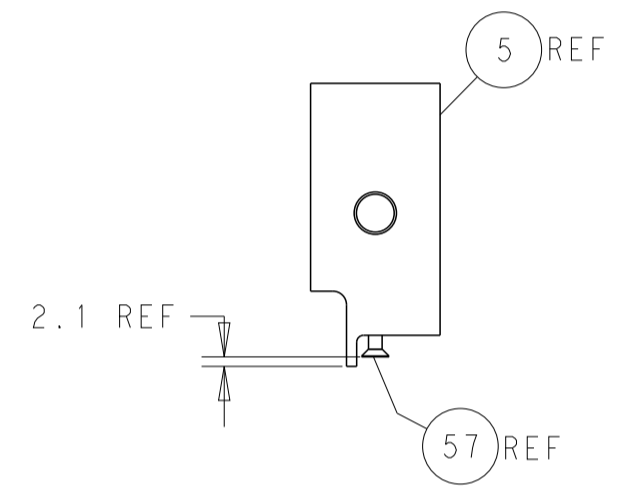
CAM POSITIONS



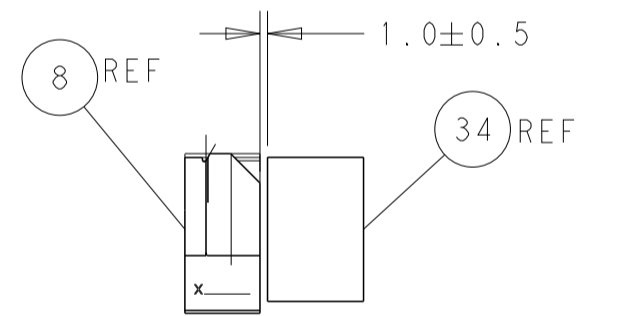
LOC	DIST	REV	DESCRIPTION	DATE	OWN	APVD
A	66		SEE SHEET 1			



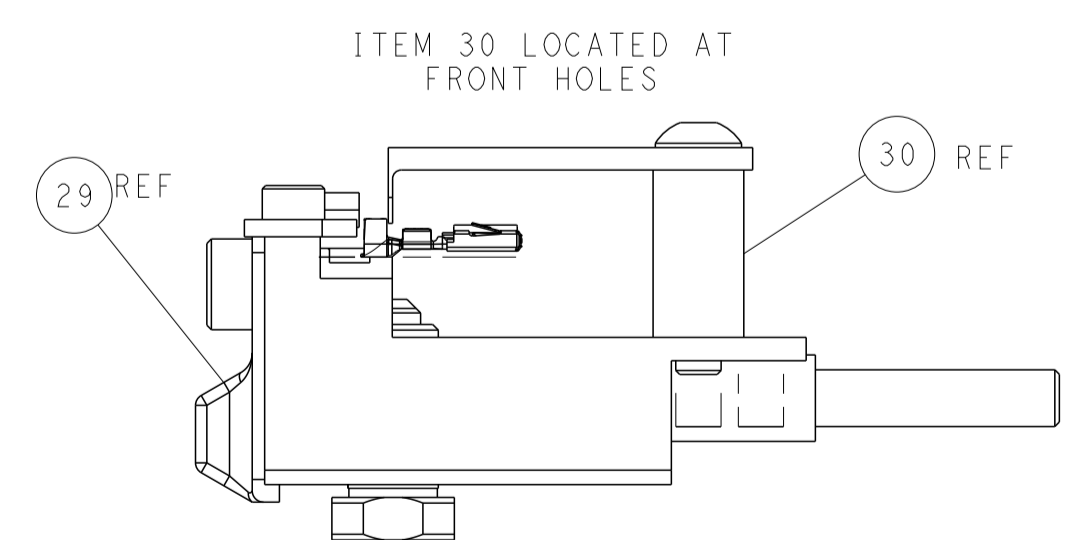
RAM AND HOLD DOWN SETUP



SHEAR DEPRESSOR DETAIL



TERMINAL SUPPORT LOCATION



FEED TRACK POSITION
 GUIDE BY INSULATION BARREL

DIMENSIONS: mm 		TOLERANCES UNLESS OTHERWISE SPECIFIED: FINISH		DWN: R. STAKEM 06OCT2011 CHK: G. BAILEY 06OCT2011 APVD: J. ELBIN 06OCT2011	NAME: Ocean Side Feed Applicator SIZE: A1 CAGE CODE: 00779 DRAWING NO: C=2151104	TE Connectivity Harrisburg, PA 17105-3608
MATERIAL: -		WEIGHT: -		CUSTOMER ACCESSIBLE PRODUCTION DRAWING		RESTRICTED TO: - SCALE: 1:2 SHEET: 2 OF 4 REV: L3