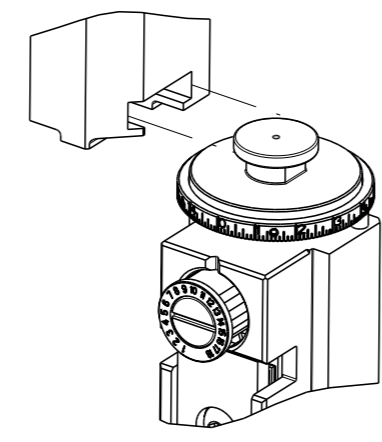


| PART NUMBER | REVISION | DESCRIPTION                      | FEED TYPE  |
|-------------|----------|----------------------------------|------------|
| 2150525-1   | B        | FINE CRIMP HEIGHT ADJUST         | MECHANICAL |
| 2150525-2   | B        | FINE CRIMP HEIGHT ADJUST         | PNEUMATIC  |
| 7-2150525-1 | B        | MECHANICAL AND CRIMP TOOLING KIT | MECHANICAL |
| 7-2150525-2 | B        | PNEUMATIC AND CRIMP TOOLING KIT  | PNEUMATIC  |
| 7-2150525-7 | A        | CRIMP TOOLING KIT                | -          |

ATLANTIC VERSION TERMINATOR INTERFACE ADAPTER



| APPLICATOR DATA                |                |      |
|--------------------------------|----------------|------|
| CRIMP                          | SIZE           | TYPE |
| WIRE                           | 2.97 mm [.117] | F    |
| INSUL                          | 4.00 mm [.157] | F    |
| APPL INSTRUCTIONS<br>408-35043 |                |      |

|   |                   |                              |                   |
|---|-------------------|------------------------------|-------------------|
| TERMINAL DATA: ESCUBEDO TERMINAL ESCUBEDO CRIMP SPECIFICATION |                   |                              |                   |
| TERMINAL NAME: HEMBRA SERIE 6.3                               |                   |                              |                   |
| WIRE STRIP LENGTH   |                   | INSULATION DIAMETER RANGE    |                   |
| 4.50-5.50 mm [.177-.217 IN]                                   |                   | ∅3.00-4.30 mm [.118-.169 IN] |                   |
| TERMINAL APPLICATION SPECIFICATION                            | (A)4422 Rev 1     |                              |                   |
|   | (B)4327 Rev 1     |                              |                   |
| TERMINALS APPLIED   |                   |                              |                   |
| TE TERMINAL   | ESCUBEDO TERMINAL | TE TERMINAL                  | ESCUBEDO TERMINAL |
| (A) 1572582-1   | (A) 4422.00       | (B) 1572582-7                | (B) 4422.24       |
| (A) 1572582-2   | (A) 4422.02       | (B) 1572582-8                | (B) 4422.03       |
| (A) 1572582-3   | (A) 4422.10       | (B) 1572582-9                | (B) 4327.00       |
| (A) 1572582-4   | (A) 4422.12       | (B) 1-1572582-0              | (B) 4327.02       |
| (A) 1572582-5   | (A) 4422.30       | (B) 1-1572572-1              | (B) 4327.30       |
| (A) 1572582-6   | (A) 4422.32       | (B) 1-1572582-2              | (B) 4327.32       |

| WIRE SIZE | CRIMP HEIGHT mm [INCH]        | CRIMP HEIGHT REFERENCE SETTING |
|-----------|-------------------------------|--------------------------------|
| 2.50mm2   | 1.90 +/- 0.03 [.075 +/- .001] | 4.4                            |
| 2.00mm2   | 1.80 +/- 0.03 [.071 +/- .001] | 5.4                            |
| 1.50mm2   | 1.70 +/- 0.03 [.067 +/- .001] | 6.4                            |
| 1.00mm2   | 1.55 +/- 0.03 [.061 +/- .001] | 8.1                            |

- RECOMMENDED SPARE PARTS
- REFER TO SUPPLIED INSTRUCTION SHEET FOR CLEANING, LUBRICATION AND STORAGE OF APPLICATOR.
- APPLY PART NUMBER 1-23419-5 LOCTITE TO THREADS OF ITEMS 180. APPLY PART NUMBER 2-23419-6 LOCTITE TO THREADS OF ITEM 242.
- CRIMP HEIGHT REFERENCE SETTING WAS THE SETTING USED WHEN THE APPLICATOR WAS QUALIFIED AT THE FACTORY. ADJUSTMENT MAY BE NECESSARY WHEN RUNNING APPLICATOR IN THE FIELD.
- UNLESS SPECIFIED OTHERWISE TORQUE VALUES SHALL BE USED PER DOCUMENT, 101-35000.

**\*WARNING**  
ON INSTALLATION, SET WIRE DISC TO CRIMP HEIGHT REFERENCE SETTING FOR LARGEST WIRE SIZE. CRIMP HEIGHT REFERENCE SETTINGS GREATER THAN THE VALUE SHOWN MAY CAUSE DAMAGE TO THE CRIMP TOOLING, REFER TO THE INSTRUCTION SHEET FOR PROPER SETUP AND ADJUSTMENTS.

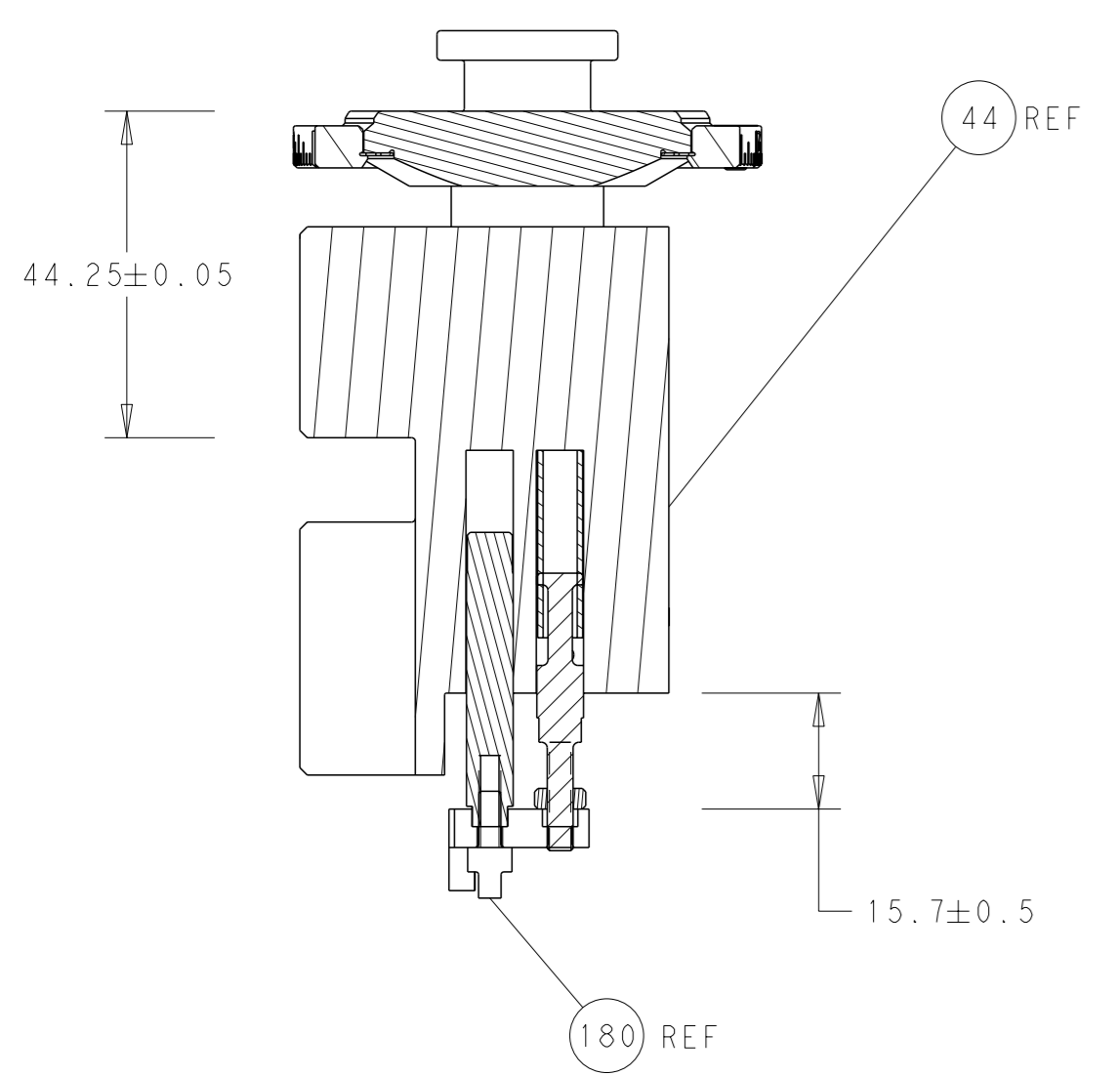
ATLANTIC VERSION  
Shown on sheets 1 of 4 & 2 of 4  
(Pacific version shown on sheets 3 of 4 & 4 of 4)

| LOC | DIST | REVISIONS |     |               |           |     |      |
|-----|------|-----------|-----|---------------|-----------|-----|------|
|     |      | P         | LY# | DESCRIPTION   | DATE      | OWN | APVD |
| A   | 66   | A         |     | RELEASED      | 17FEB2015 | RK  | GB   |
|     |      | B         |     | ECR-20-004282 | 23MAR2020 | FJ  | TE   |

|   |     |     |     |     |             |                                     |             |         |
|---|-----|-----|-----|-----|-------------|-------------------------------------|-------------|---------|
| - | 1   | -   | 1   | -   | 2119641-1   | FEED CAM, AIR FEED                  | 248         |         |
| - | 1   | 1   | 1   | 1   | 2119082-2   | CAM, SNAIL, INSULATION ADJUSTMENT   | 244         |         |
| - | 1   | 1   | 1   | 1   | 2079764-1   | WASHER, WAVE SPRING, CREST-TO-CREST | 243         |         |
| 3 | -   | 1   | 1   | 1   | 2119083-1   | RETAINER, INSULATION DIAL           | 242         |         |
| - | -   | 1   | -   | 1   | 2119580-1   | MECHANICAL FEED ASSEMBLY            | 239         |         |
| - | 1   | -   | 1   | -   | 2844940-3   | AIR FEED MODULE                     | 238         |         |
| 3 | -   | 1   | 1   | 1   | 1-18028-0   | WASHER, FLAT, REG M8                | 192         |         |
| - | 1   | 1   | 1   | 1   | 1-1976055-2 | STANDOFF, HOLD-DOWN                 | 180         |         |
| - | 1   | 1   | 1   | 1   | 6-993111-6  | PIN, SLOTTED SPRING 3.0 X 14.0      | 177         |         |
| - | 1   | 1   | 1   | 1   | 8-22280-7   | SPRING, COMPRESSION                 | 176         |         |
| - | 1   | 1   | 1   | 1   | 1752353-2   | GUIDE PIN,HOLDDOWN                  | 175         |         |
| - | 1   | 1   | 1   | 1   | 1901680-2   | GUIDE PIN,HOLDDOWN                  | 174         |         |
| - | REF | REF | REF | REF | 994970-2    | COUNTER, MAGNETIC                   | 164         |         |
| - | 1   | 1   | 1   | 1   | 455888-6    | SPACER, CRIMPER                     | 82          |         |
| - | 1   | 1   | 1   | 1   | 2119791-9   | DEPRESSOR, WIRE                     | 73          |         |
| - | 1   | 1   | 1   | 1   | 1803607-4   | DOCUMENTATION PACKAGE               | 71          |         |
| - | 2   | 2   | 2   | 2   | 2-18032-2   | SCR, SET, FLT PNT, M3 X 10.0        | 70          |         |
| - | 1   | 1   | 1   | 1   | 2119943-1   | WASHER, SPACER                      | 69          |         |
| - | 1   | 1   | 1   | 1   | 2119740-1   | TAG, IDENTIFICATION                 | 67          |         |
| - | 2   | 2   | 2   | 2   | 2168078-1   | SCREW, DRIVE, RH, RoHS, 2 x .188    | 66          |         |
| - | 1   | 1   | 1   | 1   | 1901681-4   | HOLDDOWN, TERMINAL                  | 65          |         |
| - | 2   | 2   | 2   | 2   | 2168400-5   | SHCS, LOW HEAD, RoHS, M4 X 20       | 64          |         |
| - | 1   | 1   | 1   | 1   | 2168083-2   | SCR, SKT HD CAP, RoHS, M4 X 8.0     | 60          |         |
| - | 1   | 1   | 1   | 1   | 5-18022-5   | SCR, HEX HD CAP, M4 X 6.0           | 59          |         |
| - | -   | 1   | -   | 1   | 2063961-1   | FEED FINGER                         | 58          |         |
| - | 3   | 3   | 3   | 3   | 2168400-4   | SHCS, LOW HEAD, RoHS, M4 X 8        | 57          |         |
| - | 2   | 2   | 2   | 2   | 1-2168083-0 | SCR, SKT HD CAP, RoHS, M4 X 10      | 56          |         |
| - | 2   | 2   | 2   | 2   | 5018030-1   | NUT, HEX, REG, RoHS, M3             | 54          |         |
| - | 2   | 2   | 2   | 2   | 986965-8    | NUT, LOCK, HEX, TORQUE (M4)         | 53          |         |
| - | 1   | 1   | 1   | 1   | 1-5018030-0 | NUT, HEX, REG, RoHS, M3.5           | 52          |         |
| - | 1   | -   | 1   | -   | 2063961-1   | FEED FINGER                         | 51          |         |
| - | 1   | 2   | 1   | 2   | 18023-9     | SCR, SKT HD CAP M4 X 6.0            | 49          |         |
| - | -   | 1   | -   | 1   | 2119652-1   | FEED CAM, PRE FEED                  | 48          |         |
| - | -   | 1   | -   | 1   | 2119653-1   | FEED CAM, POST FEED                 | 47          |         |
| - | 1   | 1   | 1   | 1   | 2119655-5   | APPLICATOR BASIC ASSEMBLY, EF       | 46          |         |
| - | 1   | 1   | 1   | 1   | 1803517-1   | RAM ASSEMBLY, EF ATLANTIC           | 44          |         |
| - | 1   | 1   | 1   | 1   | 1803602-1   | SCR, BHSC, RoHS (M8 X 25)           | 41          |         |
| - | 7   | 7   | 7   | 7   | 1-18028-2   | WASHER, FLAT, REG M4                | 33          |         |
| - | 2   | 2   | 2   | 2   | 2168083-9   | SCR, SKT HD CAP, RoHS, M4 X 20      | 31          |         |
| - | 2   | 2   | 2   | 2   | 2168083-2   | SCR, SKT HD CAP, RoHS, M4 X 8.0     | 29          |         |
| - | 1   | 1   | 1   | 1   | 240639-1    | STRIPPER (MACHINING)                | 27          |         |
| - | 2   | 2   | 2   | 2   | 1-2168083-5 | SCR, SKT HD CAP, RoHS, M4 X 30      | 25          |         |
| - | 1   | 1   | 1   | 1   | 1752371-3   | PLATE, STRIP GUIDE                  | 24          |         |
| - | 1   | 1   | 1   | 1   | 240825-2    | PLATE, STRIP HOLD DOWN              | 23          |         |
| - | 2   | 2   | 2   | 2   | 2-22281-3   | SPRING, COMPRESSION                 | 22          |         |
| - | 1   | 1   | 1   | 1   | 1803292-4   | DRAG                                | 20          |         |
| - | 2   | 2   | 2   | 2   | 1901259-5   | GUIDE, LOWER STRIP                  | 18          |         |
| - | 4   | 4   | 4   | 4   | 1-2079383-1 | SCR, BHSC, RoHS (M6 X 12)           | 17          |         |
| - | 1   | 1   | 1   | 1   | 3-240641-6  | SPACER                              | 16          |         |
| - | 1   | 1   | 1   | 1   | 1752360-1   | SPACER,HOLD-DOWN                    | 13          |         |
| 1 | -   | 1   | -   | -   | 240644-1    | PLATE, REAR SHEAR                   | 11          |         |
| - | -   | -   | -   | -   | -           | -                                   | 10          |         |
| 1 | -   | 1   | -   | -   | 690482-3    | PLATE, FRONT SHEAR                  | 9           |         |
| 1 | 2   | 2   | 1   | 1   | 8-1633384-4 | ANVIL, COMBINATION                  | 8           |         |
| 1 | -   | 1   | -   | -   | 1-2217206-3 | BLADE, SLUG                         | 7           |         |
| - | -   | -   | -   | -   | -           | -                                   | 6           |         |
| - | 1   | 1   | 1   | 1   | 240641-1    | SPACER                              | 5           |         |
| - | 1   | 1   | 1   | 1   | 4-238011-2  | BLOCK, CRIMPER SPACER               | 4           |         |
| 1 | 2   | 2   | 1   | 1   | 5-1803017-7 | CRIMPER, INSULATION F               | 3           |         |
| - | 1   | 1   | 1   | 1   | 455888-3    | SPACER, CRIMPER                     | 2           |         |
| 1 | 2   | 2   | 1   | 1   | 6-1633609-3 | CRIMPER, WIRE                       | 1           |         |
| - | 77  | 72  | 71  | 2   | -1          | PART NO                             | DESCRIPTION | ITEM NO |

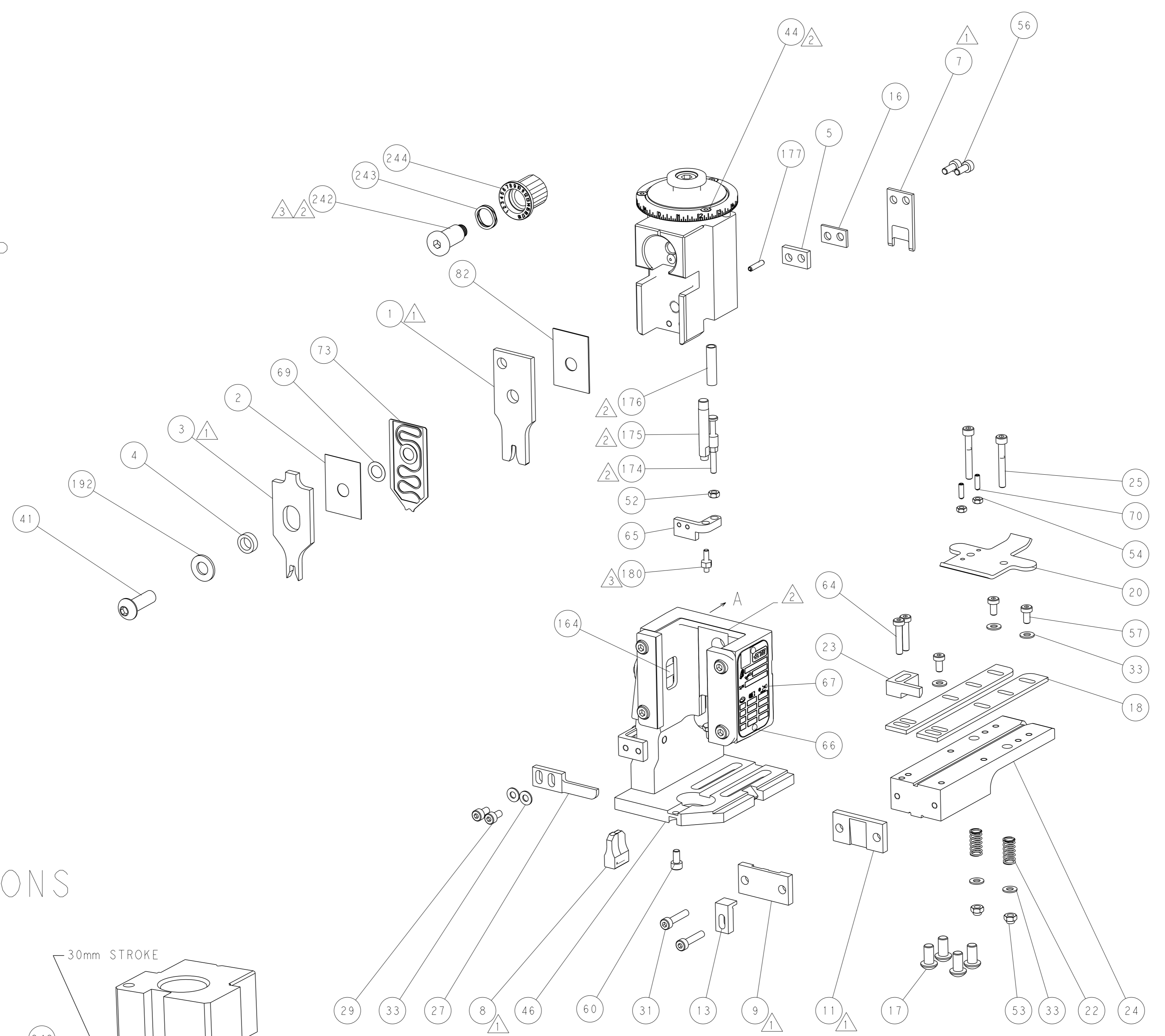
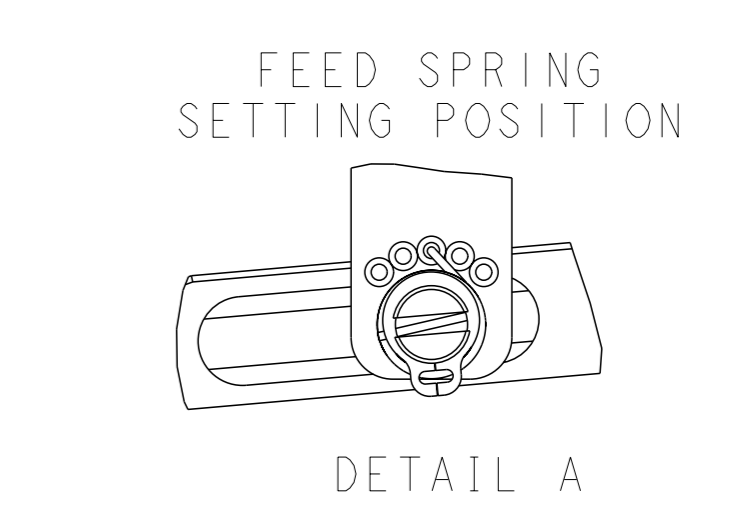
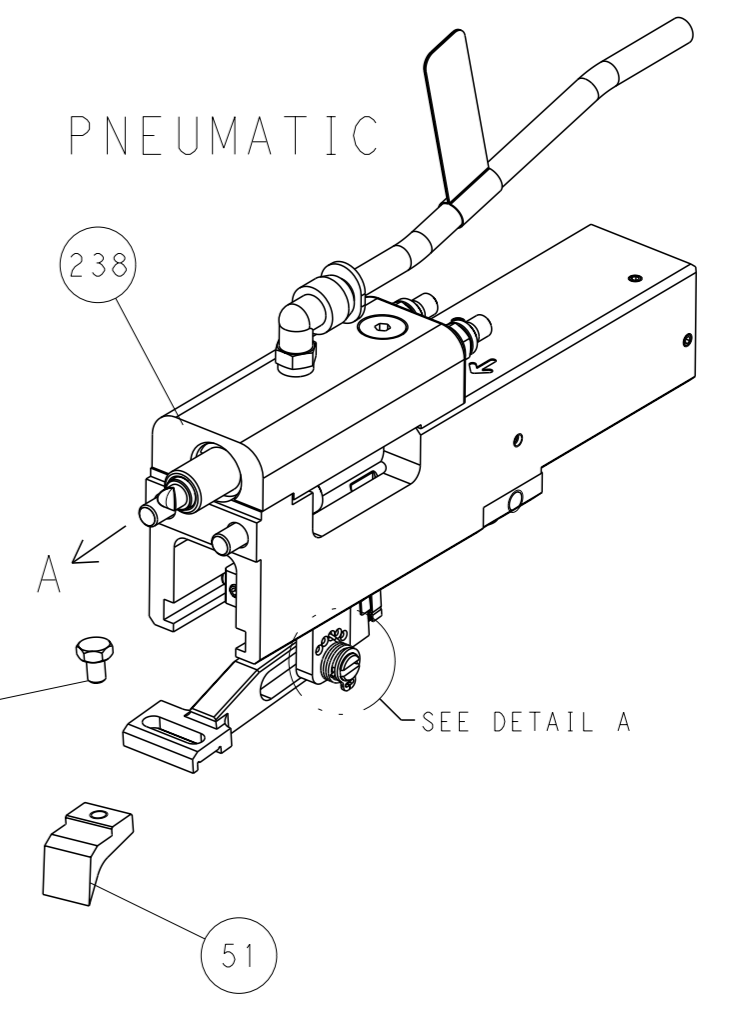
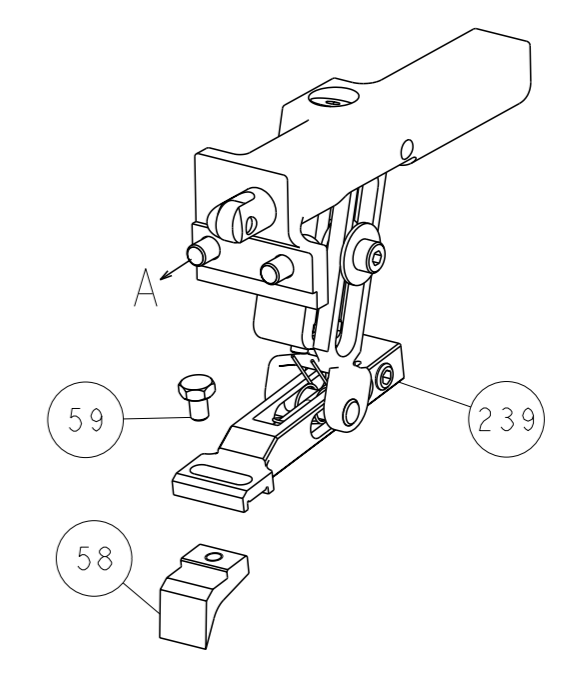
|             |         |  |         |  |         |   |                           |
|-------------|---------|--|---------|--|---------|---|---------------------------|
| DIMENSIONS: |         | TOLERANCES UNLESS OTHERWISE SPECIFIED: |         | OWN J. HOU 16 JAN 2015                 |         | TE Connectivity                         |                           |
| mm          | 0 PLC ± | 1 PLC ±                                | 2 PLC ± | 3 PLC ±                                | 4 PLC ± | 5 PLC ±                                 | Harrisburg, PA 17105-3608 |
| MATERIAL:   |         | FINISH:                                |         | CHK L. ZHANG 16 JAN 2015               |         | NAME                                    |                           |
|             |         |  |         | APVD U. GUO 16 JAN 2015                |         | Ocean End Feed Applicator               |                           |
|             |         |  |         | PRODUCT SPEC                           |         | SIZE CAGE CODE DRAWING NO RESTRICTED TO |                           |
|             |         |  |         | APPLICATION SPEC                       |         | A1 00779 ©=2150525                      |                           |
|             |         |  |         | WEIGHT                                 |         | SCALE 1:1 SHEET 1 OF 4 REV B            |                           |
|             |         |  |         | Customer Accessible Production Drawing |         | Customer Accessible Production Drawing  |                           |

| LOC | DIST | REVISIONS |             |     |      |
|-----|------|-----------|-------------|-----|------|
| A   | 66   | REV       | DATE        | OWN | APVD |
|     |      | 1         | SEE SHEET 1 |     |      |

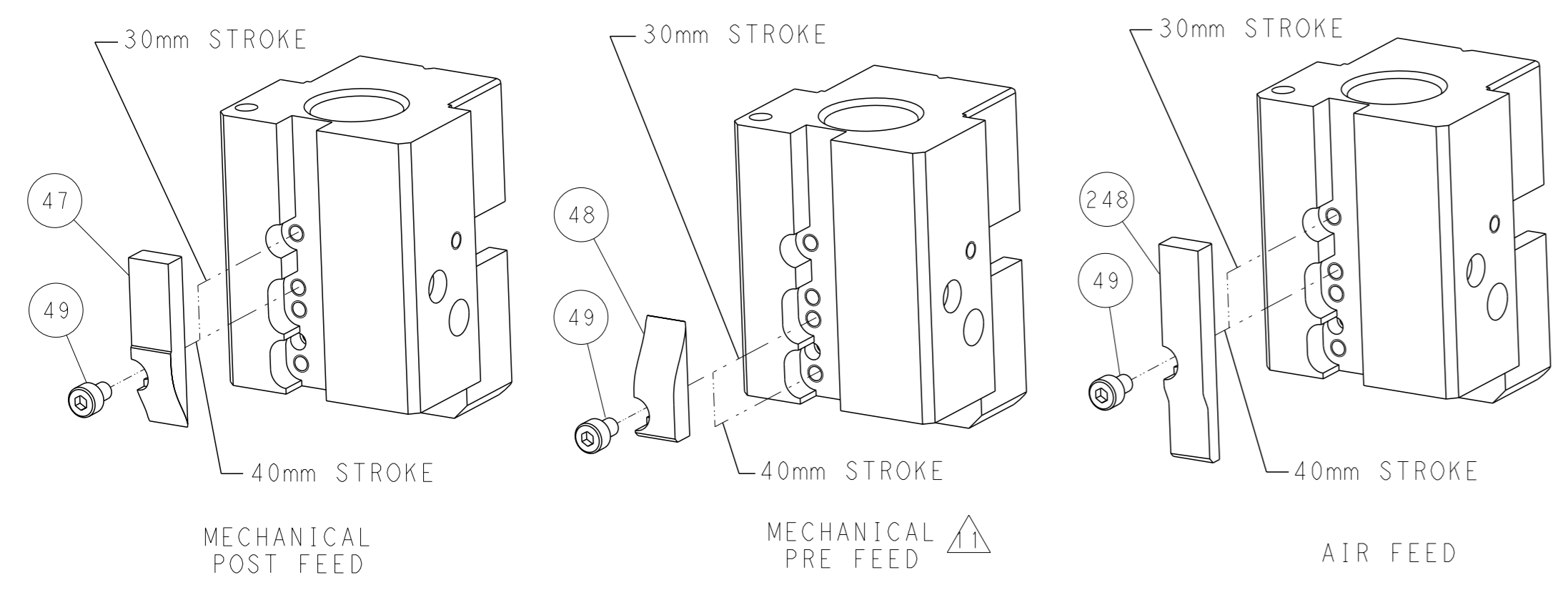


RAM AND HOLDDOWN SET-UP

FEED TYPE  
MECHANICAL



CAM POSITIONS

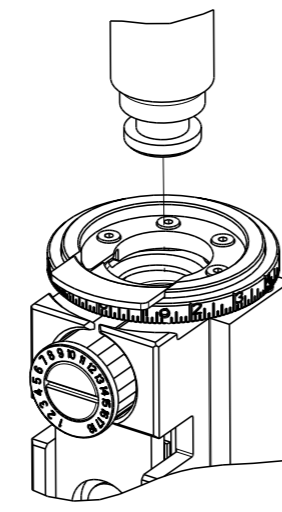


ATLANTIC VERSION  
 Shown on sheets 1 of 4 & 2 of 4  
 (Pacific version shown on sheets 3 of 4 & 4 of 4)

|  |  |   |  |   |              |  |  |
|--|--|---|--|---|--------------|--|--|
| DIMENSIONS:<br>mm<br>                  |  | TOLERANCES UNLESS OTHERWISE SPECIFIED:<br>0 PLC ±<br>1 PLC ±<br>2 PLC ±<br>3 PLC ±<br>4 PLC ±<br>ANGLES ° ± |  | OWN J. HOU 16 JAN 2015<br>CHK L. ZHANG 16 JAN 2015<br>APVD U. GUO 16 JAN 2015<br>PRODUCT SPEC<br>APPLICATION SPEC<br>WEIGHT<br>MATERIAL |              | NAME Ocean End Feed Applicator<br>SIZE CAGE CODE DRAWING NO. A1 00779 ©=2150525<br>RESTRICTED TO |  |
| Customer Accessible Production Drawing |  |   |  | SCALE 1:1   | SHEET 2 of 4 | REV B  |  |

| PART NUMBER | REVISION | DESCRIPTION              | FEED TYPE  |
|-------------|----------|--------------------------|------------|
| 2-2150525-1 | B        | FINE CRIMP HEIGHT ADJUST | MECHANICAL |
| 2-2150525-2 | B        | FINE CRIMP HEIGHT ADJUST | PNEUMATIC  |
| 7-2150525-7 | A        | CRIMP TOOLING KIT        | -          |

PACIFIC VERSION TERMINATOR  
INTERFACE ADAPTER



| APPLICATOR DATA                |                |      |
|--------------------------------|----------------|------|
| CRIMP                          | SIZE           | TYPE |
| WIRE                           | 2.97 mm [.117] | F    |
| INSUL                          | 4.00 mm [.157] | F    |
| APPL INSTRUCTIONS<br>408-35043 |                |      |

TERMINAL DATA: ESCUBEDO TERMINA/ESCUBEDO CRIMP SPECIFICATION

| TERMINAL NAME: HEMBRA SERIE 6.3                  |                             |
|--|-----------------------------|
| WIRE STRIP LENGTH                                | INSULATION DIAMETER RANGE   |
| 4.50-5.50 mm [.177-.217 IN]                      | 3.00-4.30 mm [.118-.169 IN] |
| TERMINAL APPLICATION SPECIFICATION (A)4422 Rev 1 | -                           |
| (B)4327 Rev 1                                    | -                           |

| TE TERMINAL   | ESCUBEDO TERMINAL | TE TERMINAL     | ESCUBEDO TERMINAL |
|---------------|-------------------|-----------------|-------------------|
| (A) 1572582-1 | (A) 4422.00       | (B) 1572582-7   | (B) 4422.24       |
| (A) 1572582-2 | (A) 4422.02       | (B) 1572582-8   | (B) 4422.03       |
| (A) 1572582-3 | (A) 4422.10       | (B) 1572582-9   | (B) 4327.00       |
| (A) 1572582-4 | (A) 4422.12       | (B) 1-1572582-0 | (B) 4327.02       |
| (A) 1572582-5 | (A) 4422.30       | (B) 1-1572572-1 | (B) 4327.30       |
| (A) 1572582-6 | (A) 4422.32       | (B) 1-1572582-2 | (B) 4327.32       |

| WIRE SIZE | CRIMP HEIGHT mm [INCH]        | CRIMP HEIGHT REFERENCE SETTING |
|-----------|-------------------------------|--------------------------------|
| 2.50mm2   | 1.90 +/- 0.03 [.075 +/- .001] | 4.4                            |
| 2.00mm2   | 1.80 +/- 0.03 [.071 +/- .001] | 5.4                            |
| 1.50mm2   | 1.70 +/- 0.03 [.067 +/- .001] | 6.4                            |
| 1.00mm2   | 1.55 +/- 0.03 [.061 +/- .001] | 8.1                            |

- RECOMMENDED SPARE PARTS
- REFER TO SUPPLIED INSTRUCTION SHEET FOR CLEANING, LUBRICATION AND STORAGE OF APPLICATOR.
- APPLY PART NUMBER 1-23419-5 LOCTITE TO THREADS OF ITEMS 180. APPLY PART NUMBER 2-23419-6 LOCTITE TO THREADS OF ITEM 242.
- CRIMP HEIGHT REFERENCE SETTING WAS THE SETTING USED WHEN THE APPLICATOR WAS QUALIFIED AT THE FACTORY. ADJUSTMENT MAY BE NECESSARY WHEN RUNNING APPLICATOR IN THE FIELD.
- UNLESS SPECIFIED OTHERWISE TORQUE VALUES SHALL BE USED PER DOCUMENT, 101-35000.

**\*WARNING**  
ON INSTALLATION, SET WIRE DISC TO CRIMP HEIGHT REFERENCE SETTING FOR LARGEST WIRE SIZE. CRIMP HEIGHT REFERENCE SETTINGS GREATER THAN THE VALUE SHOWN MAY CAUSE DAMAGE TO THE CRIMP TOOLING, REFER TO THE INSTRUCTION SHEET FOR PROPER SETUP AND ADJUSTMENTS.

PACIFIC VERSION  
Shown on sheets 3 of 4 & 4 of 4  
(Atlantic version shown on sheets 1 of 4 & 2 of 4)

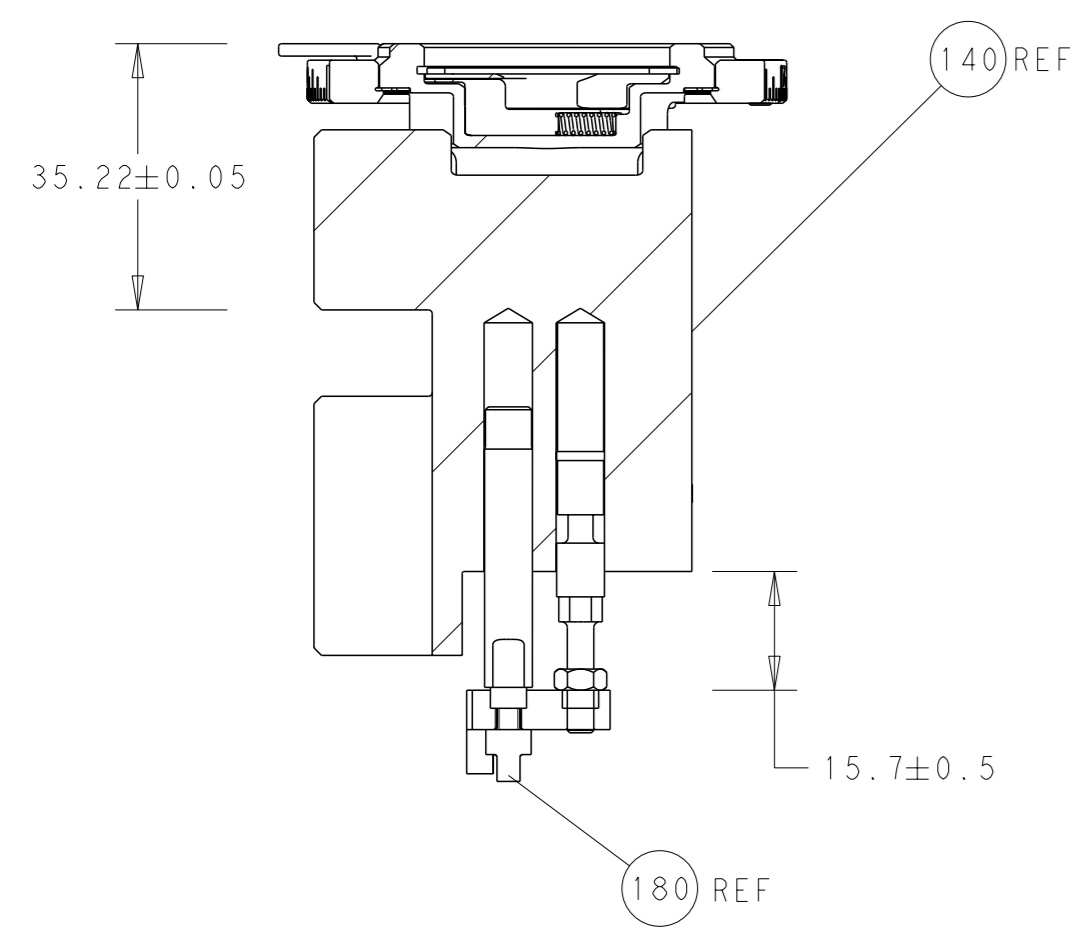
| LOC | DIST | REVISIONS   |      |    |      |
|-----|------|-------------|------|----|------|
|     |      | REV         | DATE | BY | APPV |
| A   | 66   | -           | -    | -  | -    |
|     |      | SEE SHEET 1 |      |    |      |

|   |     |     |             |                                     |         |
|---|-----|-----|-------------|-------------------------------------|---------|
| - | 1   | 1   | 2119082-2   | CAM, SNAIL, INSULATION ADJUSTMENT   | 244     |
| - | 1   | 1   | 2079764-1   | WASHER, WAVE SPRING, CREST-TO-CREST | 243     |
| - | 1   | 1   | 2119083-1   | RETAINER, INSULATION DIAL           | 242     |
| - | -   | 1   | 2119580-1   | MECHANICAL FEED ASSEMBLY            | 239     |
| - | 1   | -   | 2844940-3   | AIR FEED MODULE                     | 238     |
| - | 1   | 1   | 1-18028-0   | WASHER, FLAT, REG M8                | 192     |
| - | 4   | 4   | 2079383-9   | SCR, BHSC, RoHS (M6 X 20)           | 186     |
| - | 1   | 1   | 1-1976055-2 | STANDOFF, HOLD-DOWN                 | 180     |
| - | 1   | 1   | 6-993111-6  | PIN, SLOTTED SPRING 3.0 X 14.0      | 177     |
| - | 1   | 1   | 8-22280-7   | SPRING, COMPRESSION                 | 176     |
| - | 1   | 1   | 1752353-2   | GUIDE PIN, HOLDDOWN                 | 175     |
| - | 1   | 1   | 1901680-2   | GUIDE PIN, HOLDDOWN                 | 174     |
| - | REF | REF | 994970-2    | COUNTER, MAGNETIC                   | 164     |
| - | 1   | -   | 2119641-2   | FEED CAM, AIR FEED                  | 152     |
| - | 1   | 1   | 2168083-8   | SCR, SKT HD CAP, RoHS, M4 X 16      | 144     |
| - | -   | 1   | 2119653-2   | FEED CAM, POST FEED                 | 142     |
| - | 1   | 1   | 2119655-6   | APPLICATOR BASIC ASSEMBLY, EF       | 141     |
| - | 1   | 1   | 1803518-1   | RAM ASSEMBLY, EF PACIFIC            | 140     |
| - | 1   | 1   | 455888-6    | SPACER, CRIMPER                     | 82      |
| - | 1   | 1   | 2119791-9   | DEPRESSOR, WIRE                     | 73      |
| - | 1   | 1   | 1803607-4   | DOCUMENTATION PACKAGE               | 71      |
| - | 2   | 2   | 2-18032-2   | SCR, SET, FLT PNT, M3 X 10.0        | 70      |
| - | 1   | 1   | 2119943-1   | WASHER, SPACER                      | 69      |
| - | 1   | 1   | 2119740-1   | TAG, IDENTIFICATION                 | 67      |
| - | 2   | 2   | 2168078-1   | SCREW, DRIVE, RH, RoHS, 2 x .188    | 66      |
| - | 1   | 1   | 1901681-4   | HOLDDOWN, TERMINAL                  | 65      |
| - | 2   | 2   | 2168400-5   | SHCS, LOW HEAD, RoHS, M4 X 20       | 64      |
| - | 1   | 1   | 5-18022-5   | SCR, HEX HD CAP, M4 X 6.0           | 59      |
| - | -   | 1   | 2063961-1   | FEED FINGER                         | 58      |
| - | 3   | 3   | 2168400-4   | SHCS, LOW HEAD, RoHS, M4 X 8        | 57      |
| - | 2   | 2   | 1-2168083-0 | SCR, SKT HD CAP, RoHS, M4 X 10      | 56      |
| - | 2   | 2   | 5018030-1   | NUT, HEX, REG, RoHS, M3             | 54      |
| - | 2   | 2   | 986965-8    | NUT, LOCK, HEX, TORQUE (M4)         | 53      |
| - | 1   | 1   | 1-5018030-0 | NUT, HEX, REG, RoHS, M3.5           | 52      |
| - | 1   | -   | 2063961-1   | FEED FINGER                         | 51      |
| - | 1   | 2   | 18023-9     | SCR, SKT HD CAP M4 X 6.0            | 49      |
| - | -   | 1   | 2119652-1   | FEED CAM, PRE FEED                  | 48      |
| - | 1   | 1   | 1803602-1   | SCR, BHSC, RoHS (M8 X 25)           | 41      |
| - | 7   | 7   | 1-18028-2   | WASHER, FLAT, REG M4                | 33      |
| - | 2   | 2   | 2168083-9   | SCR, SKT HD CAP, RoHS, M4 X 20      | 31      |
| - | 2   | 2   | 2168083-2   | SCR, SKT HD CAP, RoHS, M4 X 8.0     | 29      |
| - | 1   | 1   | 240639-1    | STRIPPER (MACHINING)                | 27      |
| - | 2   | 2   | 1-2168083-5 | SCR, SKT HD CAP, RoHS, M4 X 30      | 25      |
| - | 1   | 1   | 1752371-3   | PLATE, STRIP GUIDE                  | 24      |
| - | 1   | 1   | 240825-2    | PLATE, STRIP HOLD DOWN              | 23      |
| - | 2   | 2   | 2-22281-3   | SPRING, COMPRESSION                 | 22      |
| - | 1   | 1   | 1803292-4   | DRAG                                | 20      |
| - | 2   | 2   | 1901259-5   | GUIDE, LOWER STRIP                  | 18      |
| - | 1   | 1   | 3-240641-6  | SPACER                              | 16      |
| - | 1   | 1   | 1752360-1   | SPACER, HOLD-DOWN                   | 13      |
| - | 1   | 1   | 240644-1    | PLATE, REAR SHEAR                   | 11      |
| - | -   | -   | -           | -                                   | 10      |
| - | 1   | 1   | 690482-3    | PLATE, FRONT SHEAR                  | 9       |
| - | 1   | 1   | 8-1633384-4 | ANVIL, COMBINATION                  | 8       |
| - | 1   | 1   | 1-2217206-3 | BLADE, SLUG                         | 7       |
| - | -   | -   | -           | -                                   | 6       |
| - | 1   | 1   | 240641-1    | SPACER                              | 5       |
| - | 1   | 1   | 4-238011-2  | BLOCK, CRIMPER SPACER               | 4       |
| - | 1   | 1   | 5-1803017-7 | CRIMPER, INSULATION F               | 3       |
| - | 1   | 1   | 455888-3    | SPACER, CRIMPER                     | 2       |
| - | 1   | 1   | 6-1633609-3 | CRIMPER, WIRE                       | 1       |
| - | 77  | 22  | 21          | PART NO                             | ITEM NO |

| DIMENSIONS: |          | TOLERANCES UNLESS OTHERWISE SPECIFIED: |         | DATE        |      |
|-------------|----------|--|---------|-------------|------|
| mm          | 0 PLC ±  | 1 PLC ±                                | 2 PLC ± | 16 JAN 2015 | OWN  |
|             | 3 PLC ±  | 4 PLC ±                                | 5 PLC ± | 16 JAN 2015 | CHK  |
|             | ANGLES ± | FINISH ±                               |         | 16 JAN 2015 | APPV |
| MATERIAL    |          |  |         |             |      |

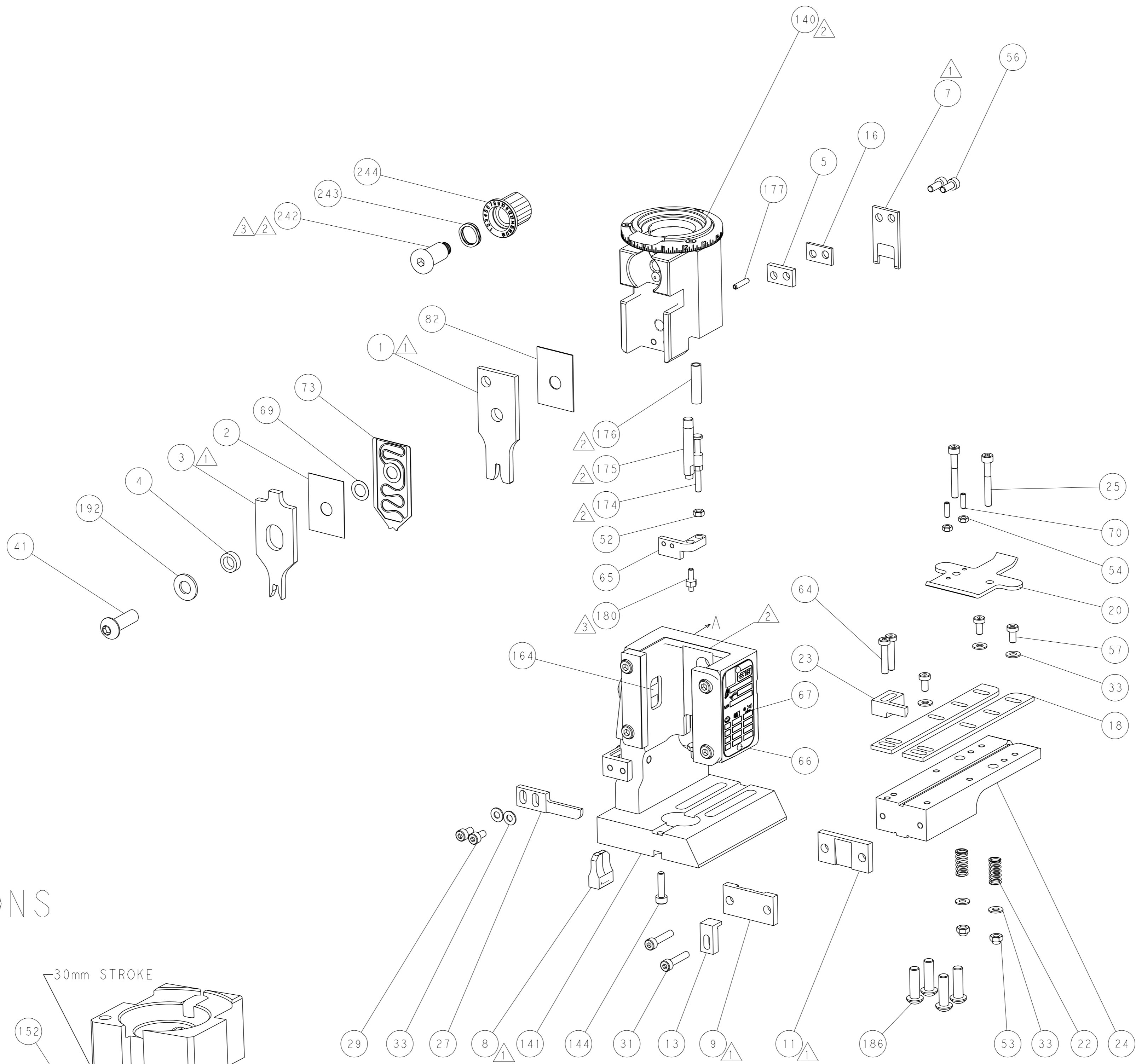
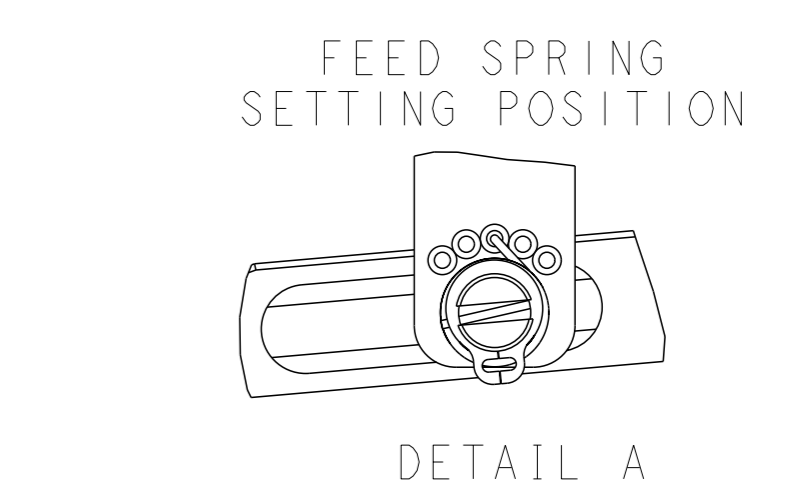
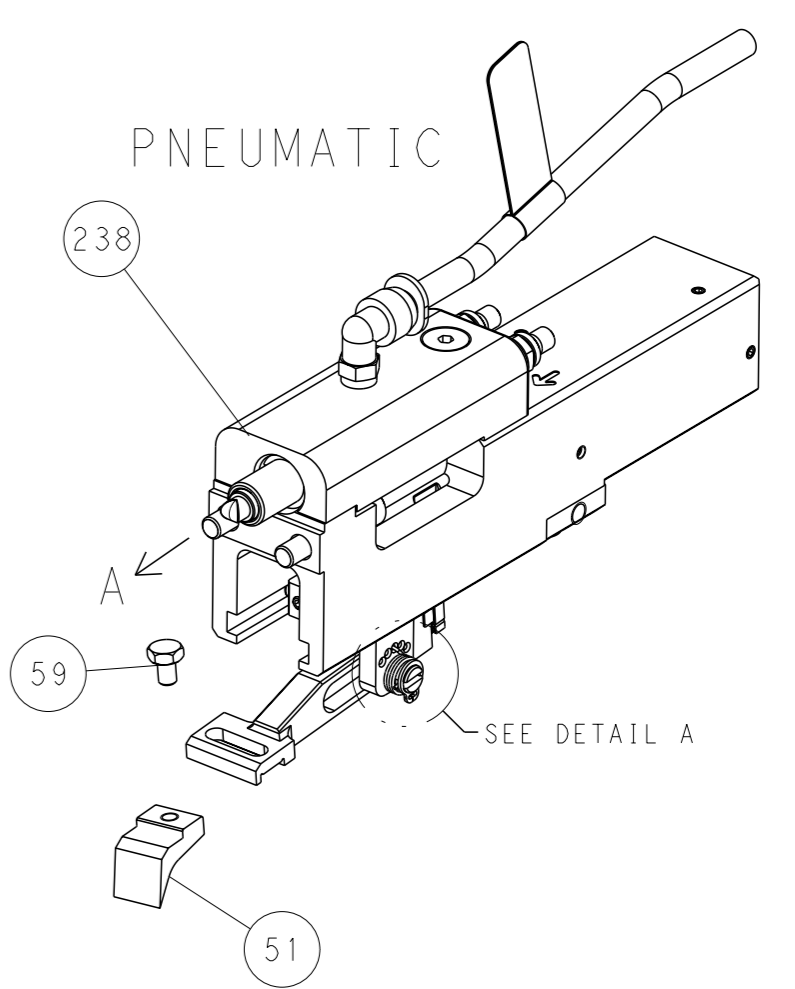
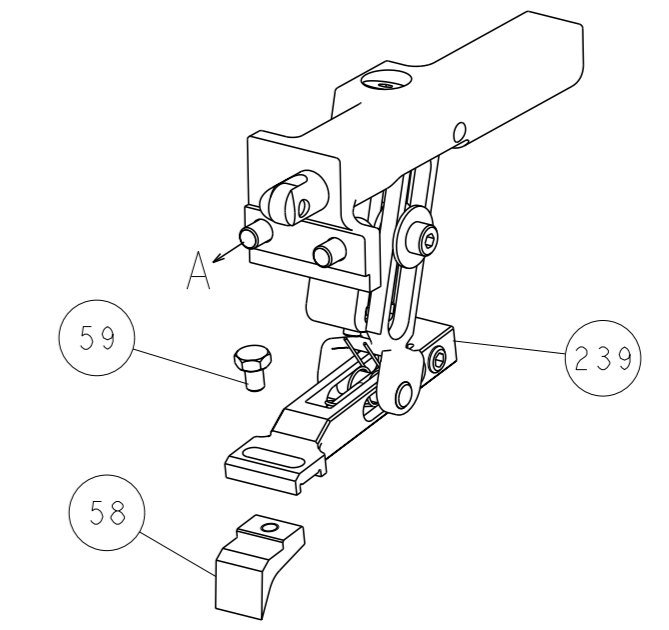
| NAME                      | SCALE | SHEET | OF | REV |
|---------------------------|-------|-------|----|-----|
| Ocean End Feed Applicator | 1:1   | 3     | 4  | B   |

| LOC |    | DIST |     | REVISIONS   |      |     |      |
|-----|----|------|-----|-------------|------|-----|------|
| A   | 66 | P    | LYR | DESCRIPTION | DATE | OWN | APVD |
|     |    | -    |     | SEE SHEET 1 |      |     |      |

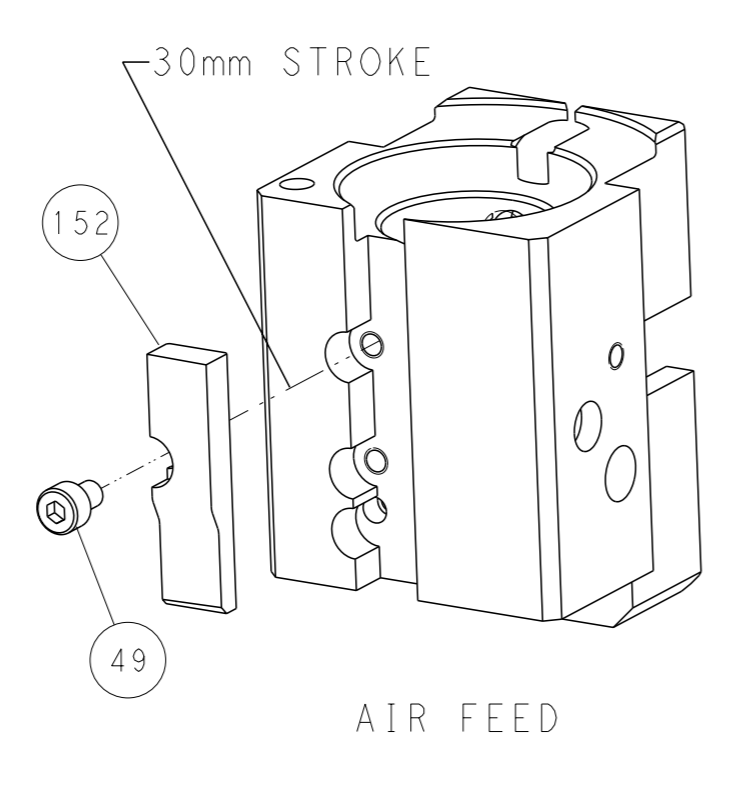
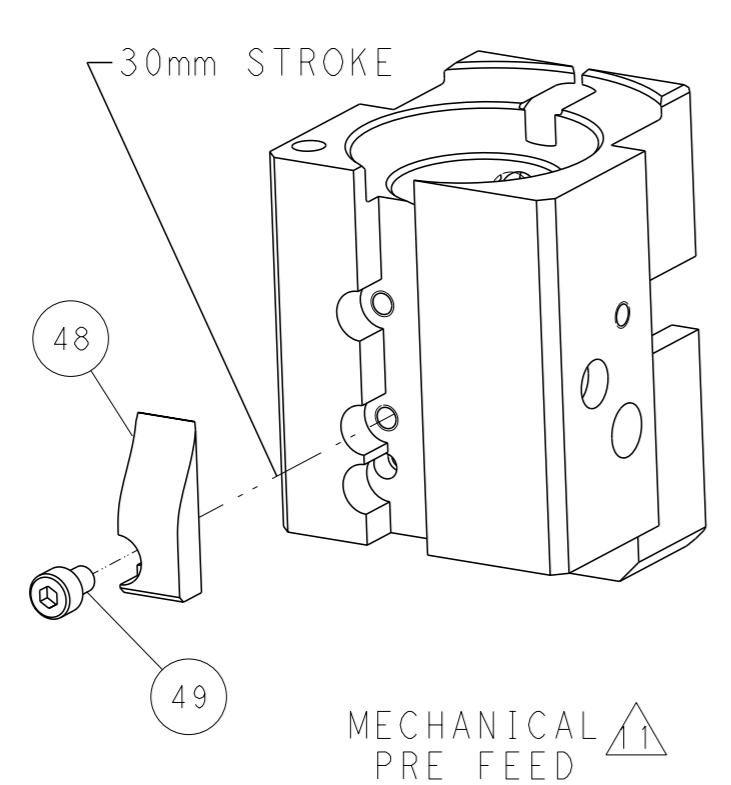
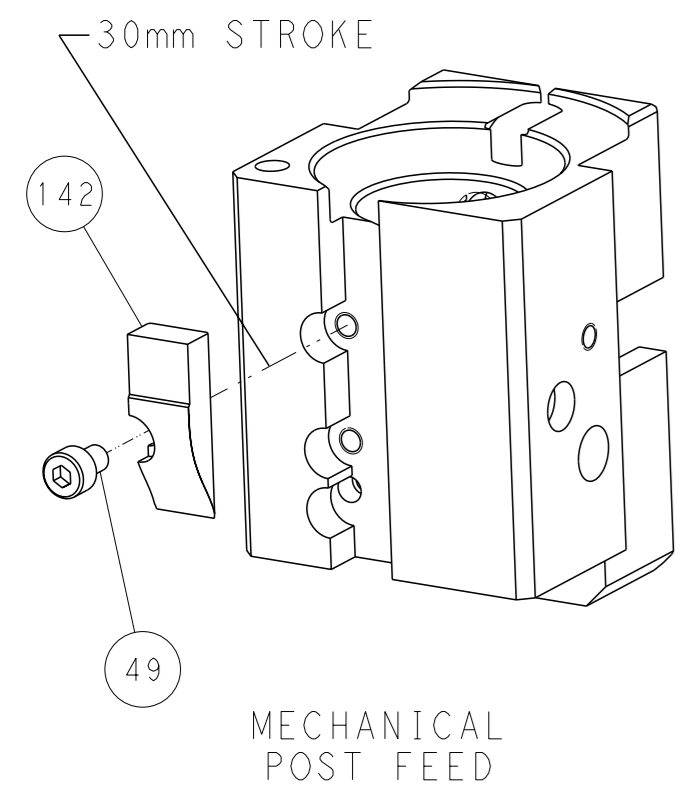


RAM AND HOLDDOWN SET-UP

FEED TYPE  
MECHANICAL



CAM POSITIONS



PACIFIC VERSION  
 Shown on sheets 3 of 4 & 4 of 4  
 (Atlantic version shown on sheets 1 of 4 & 2 of 4)

|  |  |  |   |  |
|--|--|--|---|--|
| <small>THIS DRAWING IS UNPUBLISHED. RELEASED FOR PUBLICATION. 20 BY TYCO ELECTRONICS CORPORATION. ALL RIGHTS RESERVED.</small>     |  | OWN: J. HOU<br>CHK: L. ZHANG<br>APVD: H. GUO             | DATE: 16 JAN 2015<br>DATE: 16 JAN 2015<br>DATE: 16 JAN 2015 | NAME: TE Connectivity<br>Harrisburg, PA 17105-3608                             |
| DIMENSIONS: mm<br>TOLERANCES UNLESS OTHERWISE SPECIFIED:<br>0 PLC ±<br>1 PLC ±<br>2 PLC ±<br>3 PLC ±<br>4 PLC ±<br>ANGLES FINISH * |  | PRODUCT SPEC<br>APPLICATION SPEC<br>WEIGHT<br>SCALE: 1:1 |   | SIZE: A1<br>CAGE CODE: 00779<br>DRAWING NO: C=2150525<br>SHEET 4 OF 4<br>REV B |