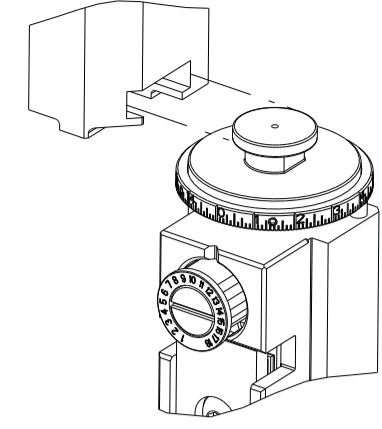


PART NUMBER	REVISION	DESCRIPTION	FEED TYPE
2150449-1	D	FINE CRIMP HEIGHT ADJUST	MECHANICAL
2150449-2	D	FINE CRIMP HEIGHT ADJUST	PNEUMATIC
7-2150449-7	A	CRIMP TOOLING KIT	-

ATLANTIC VERSION TERMINATOR
INTERFACE ADAPTER



APPLICATOR DATA		
CRIMP	SIZE	TYPE
WIRE	3.94 mm [.155]	F
INSUL	3.94 mm [.155]	OV
APPL INSTRUCTIONS 408-10390		

TERMINAL DATA: TE TERMINAL		TE CRIMP SPECIFICATION	
TERMINAL NAME: RECEPTACLE, FASTON FLAG, AMPLIVAR			
WIRE STRIP LENGTH		INSULATION DIAMETER RANGE	
4.39-5.15 mm [.173-.203 IN]		∅2.79-3.81 mm [.110-.150 IN]	
TERMINAL APPLICATION SPECIFICATION	114-2152	-	-
TERMINALS APPLIED			
TE TERMINAL	TE TERMINAL	TE TERMINAL	TE TERMINAL
1742979-1			

WIRE SIZE	CRIMP HEIGHT mm [INCH]	CRIMP HEIGHT REFERENCE SETTING
8500 CMA	2.11 +/- 0.05 [.083 +/- .002]	10.1
4000 CMA	1.65 +/- 0.05 [.065 +/- .002]	10.1

- RECOMMENDED SPARE PARTS
 - REFER TO SUPPLIED INSTRUCTION SHEET FOR CLEANING, LUBRICATION AND STORAGE OF APPLICATOR.
 - APPLY PART NUMBER 2-23419-6 LOCTITE TO THREADS OF ITEM 242.
 - CRIMP HEIGHT REFERENCE SETTING WAS THE SETTING USED WHEN THE APPLICATOR WAS QUALIFIED AT THE FACTORY. ADJUSTMENT MAY BE NECESSARY WHEN RUNNING APPLICATOR IN THE FIELD.
 - TERMINAL LUBRICANT IS RECOMMENDED.
 - REFER TO TERMINAL CUSTOMER DRAWING FOR CRIMP HEIGHT FORMULA.
7. UNLESS SPECIFIED OTHERWISE TORQUE VALUES SHALL BE USED PER DOCUMENT, 101-35000.

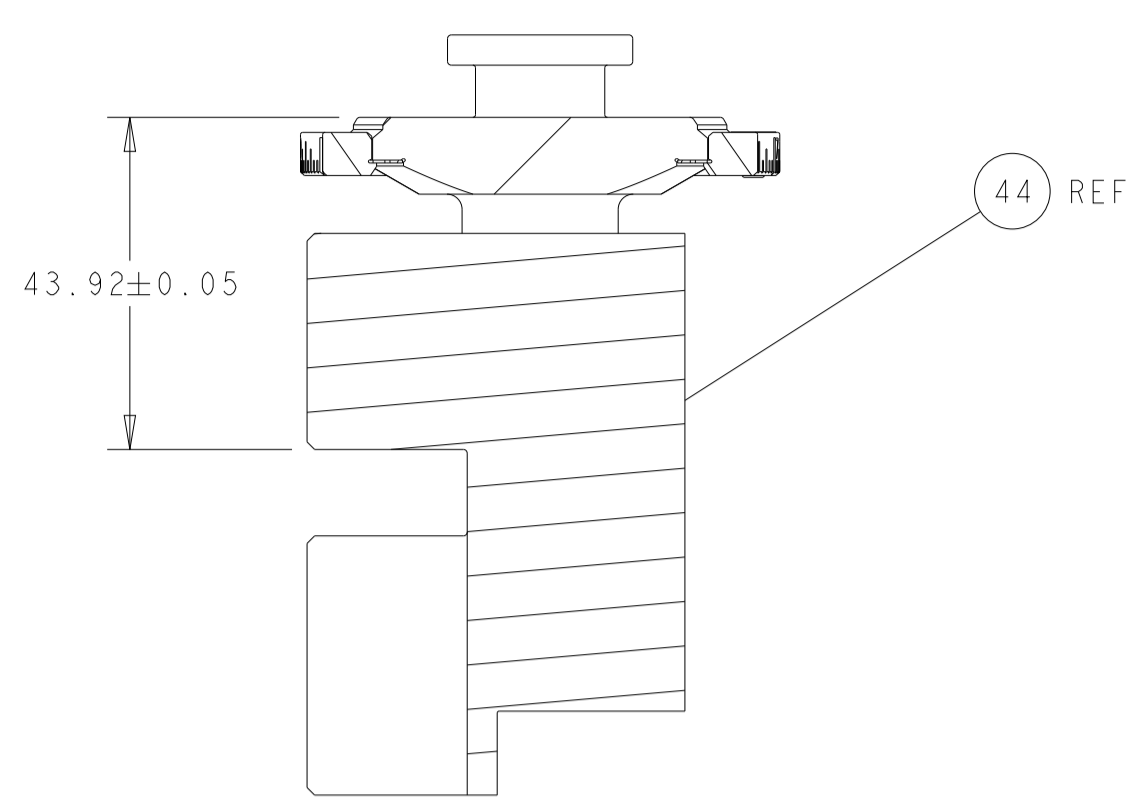
***WARNING**
ON INSTALLATION, SET WIRE DISC TO CRIMP HEIGHT REFERENCE SETTING FOR LARGEST WIRE SIZE. CRIMP HEIGHT REFERENCE SETTINGS GREATER THAN THE VALUE SHOWN MAY CAUSE DAMAGE TO THE CRIMP TOOLING. REFER TO THE INSTRUCTION SHEET FOR PROPER SETUP AND ADJUSTMENTS.

LOC	DIST	REVISIONS					
A	66	P	LTN	DESCRIPTION	DATE	DWN	APVD
		A		RELEASED	16JAN2015	KSC	TE
		B		ECR-23-166935	20FEB2023	JWC	TE
		C		ECR-23-168351	06MAR2023	JWC	TE
		D		ECR-24-205098	08APR2024	SS	MINI

-	1	-	2119641-1	FEED CAM, AIR FEED	248
-	1	1	2119082-4	CAM, SNAIL, INSULATION ADJUSTMENT	244
-	1	1	2079764-1	WASHER, WAVE SPRING, CREST-TO-CREST	243
-	1	1	2119083-1	RETAINER, INSULATION DIAL	242
-	-	1	2119580-1	MECHANICAL FEED ASSEMBLY	239
-	1	-	2844940-3	AIR FEED MODULE	238
-	1	1	1-18028-0	WASHER, FLAT, REG M8	192
-	2	2	1-2168083-1	SCR, SKT HD CAP, RoHS, M3 X 6	191
-	REF	REF	994970-2	COUNTER, MAGNETIC	164
-	1	1	2119955-2	ASSY, LUBRICATOR, END FEED	84
-	1	1	2-455888-4	SPACER, CRIMPER -	82
-	1	1	1803607-4	DOCUMENTATION PACKAGE	71
-	2	2	3-18032-3	SCR, SET, FLT PNT, M3 X 20.0	70
-	1	1	2119740-1	TAG, IDENTIFICATION	67
-	2	2	2168078-1	SCREW, DRIVE, RH, RoHS, 2 x .188	66
-	1	1	2168083-2	SCR, SKT HD CAP, RoHS, M4 X 8.0	60
-	1	1	5-18022-5	SCR, HEX HD CAP, M4 X 6.0	59
-	-	1	2063961-1	FEED FINGER	58
-	4	4	2168400-1	SHCS, LOW HEAD, RoHS, M4 X 12	57
-	2	2	5018030-1	NUT, HEX, REG, RoHS, M3	54
-	2	2	986965-8	NUT, LOCK, HEX, TORQUE (M4)	53
-	1	-	2063961-1	FEED FINGER	51
-	1	2	18023-9	SCR, SKT HD CAP M4 X 6.0	49
-	-	1	2119652-1	FEED CAM, PRE FEED	48
-	-	1	2119653-1	FEED CAM, POST FEED	47
-	1	1	2119655-5	APPLICATOR BASIC ASSEMBLY, EF	46
-	1	1	1803517-2	RAM ASSEMBLY, EF ATLANTIC	44
-	1	1	1803602-2	SCR, BHSC, RoHS (M8 X 40)	41
-	8	8	1-18028-2	WASHER, FLAT, REG M4	33
-	2	2	2168083-8	SCR, SKT HD CAP, RoHS, M4 X 16	31
-	2	2	1-2168083-0	SCR, SKT HD CAP, RoHS, M4 X 10	29
-	1	1	240639-1	STRIPPER (MACHINING)	27
-	2	2	1-2168083-6	SCR, SKT HD CAP, RoHS, M4 X 35	25
-	1	1	2161922-5	PLATE, STRIP GUIDE	24
-	2	2	2-22281-3	SPRING, COMPRESSION	22
-	1	1	1-1633168-0	ARM, STOCK DRAG	21
-	1	1	464452-2	DRAG, STOCK	20
-	1	1	1-1901259-2	GUIDE, LOWER STRIP	19
-	1	1	4-1901695-9	STRIP GUIDE, FRONT	18
-	4	4	1-2079383-1	SCR, BHSC, RoHS (M6 X 12)	17
-	1	1	461160-3	PLATE, REAR SHEAR	11
-	4	4	7-240645-4	SPACER, SHEAR PLATE	10
-	1	1	455961-5	PLATE, FRONT SHEAR	9
-	1	1	1-1803060-7	ANVIL, COMBINATION, END FEED	8
-	1	1	2-459722-8	BLADE, SHEAR	7
-	-	-	-	-	6
-	1	1	1-238011-0	BLOCK, CRIMPER SPACER	4
-	1	1	1803221-2	CRIMPER, INSULATION OVERLAP PREMIUM	3
-	1	1	2-455888-5	SPACER, CRIMPER -	2
-	1	1	1803188-8	CRIMPER, WIRE	1
-	77	-2	-1	PART NO	ITEM NO

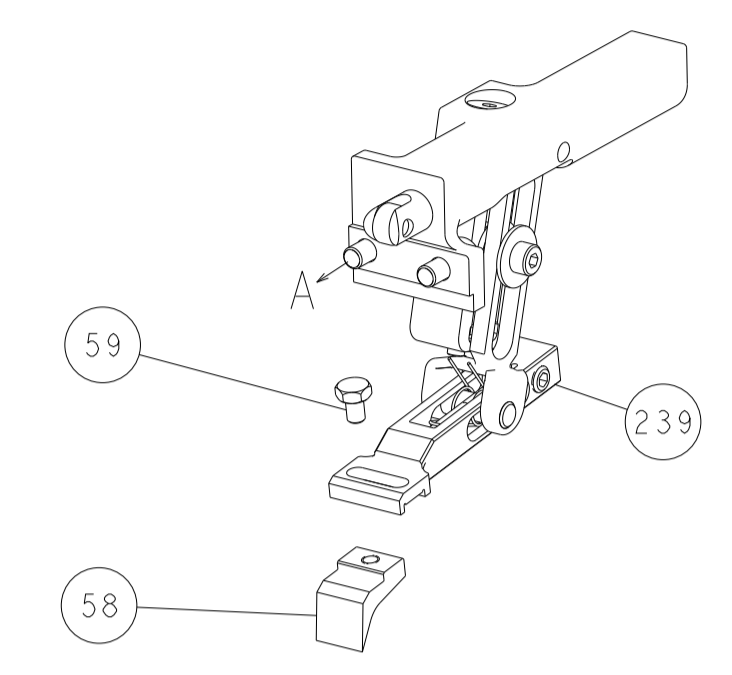
DIMENSIONS:		TOLERANCES UNLESS OTHERWISE SPECIFIED:		DWN		CHK		APVD	
mm	0 PLC ±	1 PLC ±	2 PLC ±	3 PLC ±	4 PLC ±	5 PLC ±	6 PLC ±	7 PLC ±	8 PLC ±
	ANGLES	FINISH							
MATERIAL									
Customer Accessible Production Drawing				SCALE	1:1	SHEET	1	OF	4
Customer Accessible Production Drawing				SCALE	1:1	SHEET	1	OF	4

LOC	DIST	REVISIONS			
P	LTN	DESCRIPTION	DATE	OWN	APVD
A	66	SEE SHEET 1			

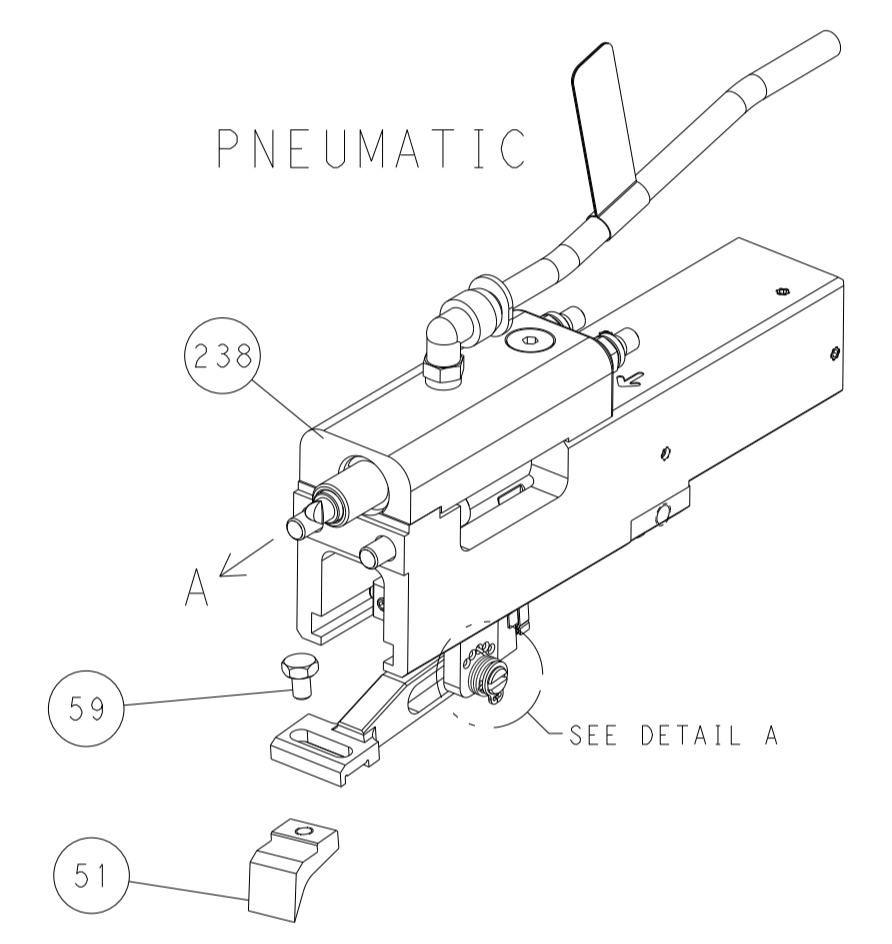


RAM SET-UP

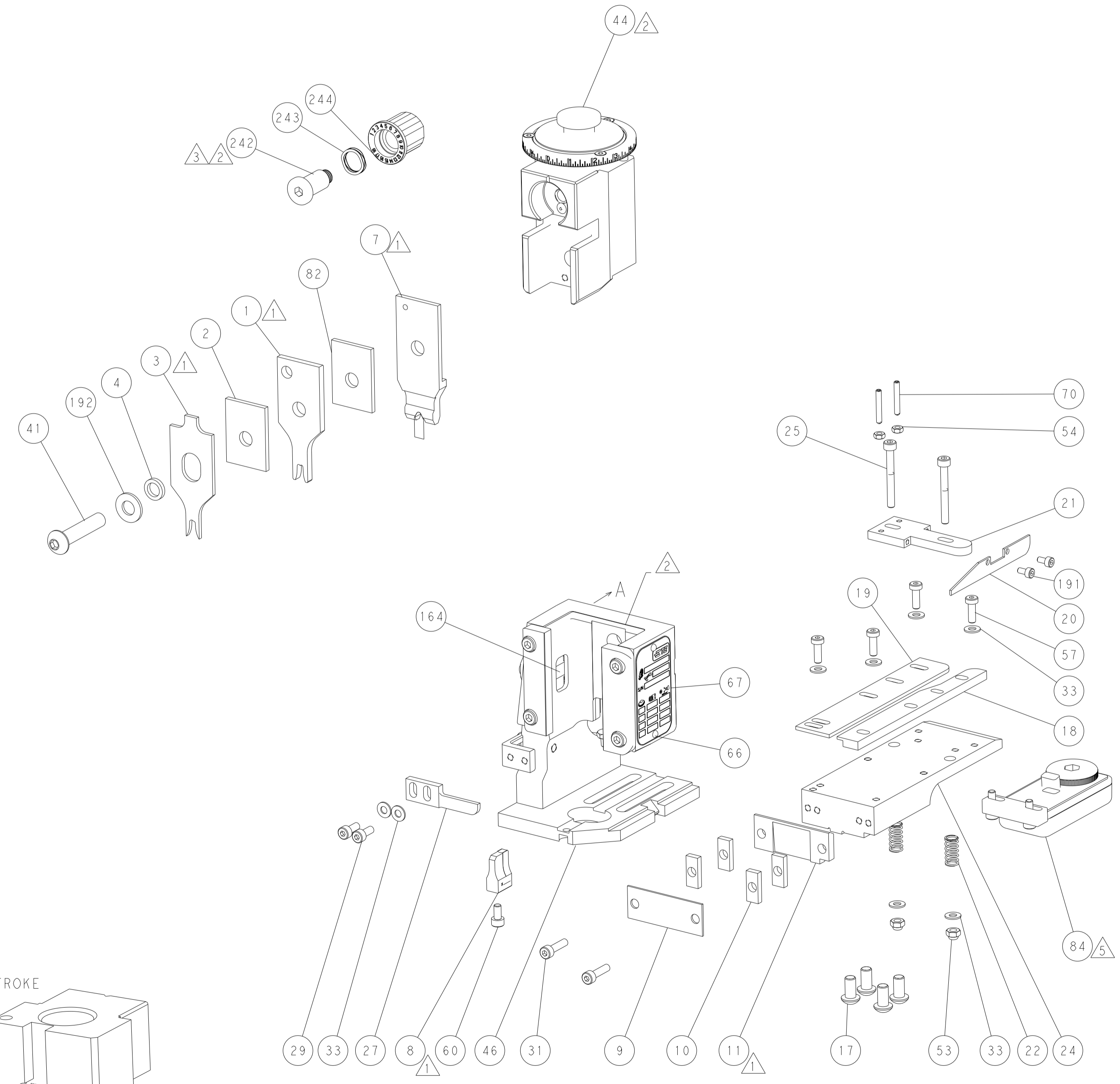
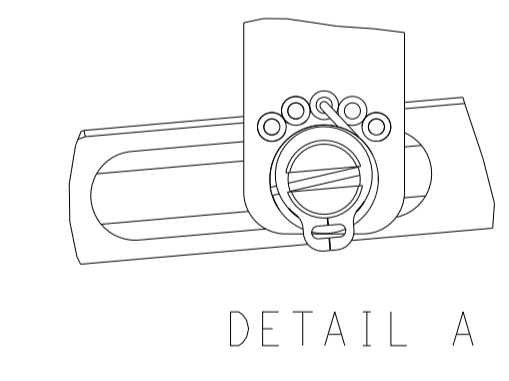
FEED TYPE
MECHANICAL



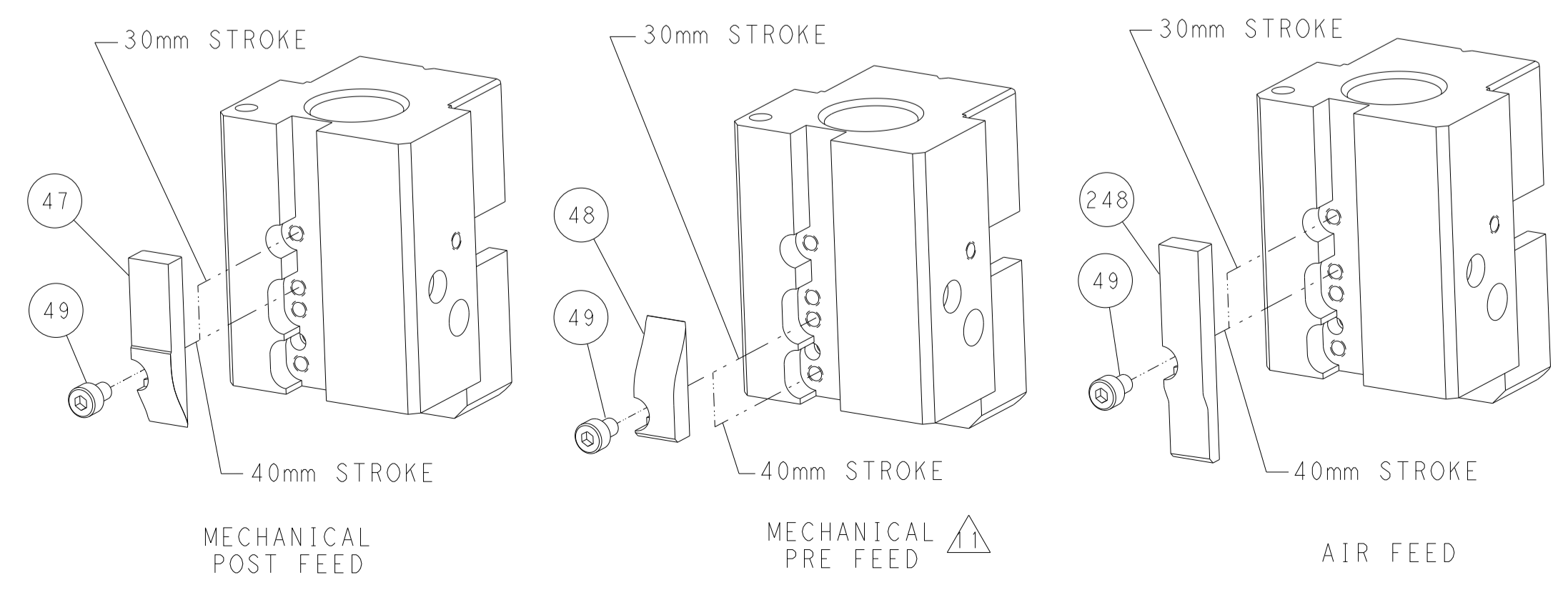
PNEUMATIC



FEED SPRING
SETTING POSITION



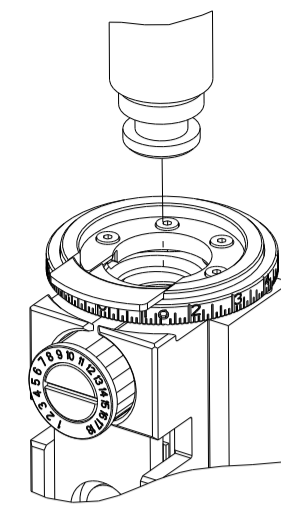
CAM POSITIONS



DIMENSIONS: mm 		TOLERANCES UNLESS OTHERWISE SPECIFIED: 0 PLC ± 1 PLC ± 2 PLC ± 3 PLC ± 4 PLC ± ANGLES ± FINISH		OWN: K. STANEM 30 JUNE 2014 CHK: G. BAILEY 30 JUNE 2014 APVD: T. ELBIN 30 JUNE 2014 NAME: Ocean End Feed Applicator SIZE: A1 CAGE CODE: 00779 DRAWING NO: 2150449 SCALE: 1:1 SHEET: 2 of 4 REV: D	
MATERIAL:		WEIGHT:		RESTRICTED TO:	

PART NUMBER	REVISION	DESCRIPTION	FEED TYPE
2-2150449-1	C	FINE CRIMP HEIGHT ADJUST	MECHANICAL
2-2150449-2	C	FINE CRIMP HEIGHT ADJUST	PNEUMATIC
7-2150449-7	A	CRIMP TOOLING KIT	-

PACIFIC VERSION TERMINATOR
INTERFACE ADAPTER



APPLICATOR DATA		
CRIMP	SIZE	TYPE
WIRE	3.94 mm [.155]	F
INSUL	3.94 mm [.155]	OV
APPL INSTRUCTIONS 408-10390		

TERMINAL DATA: TE TERMINAL		TE CRIMP SPECIFICATION	
TERMINAL NAME: RECEPTACLE, FASTON FLAG, AMPLIVAR			
WIRE STRIP LENGTH 4.39-5.15 mm [.173-.203 IN]		INSULATION DIAMETER RANGE Ø2.79-3.81 mm [.110-.150 IN]	
TERMINAL APPLICATION SPECIFICATION 114-2152			
TERMINALS APPLIED			
TE TERMINAL	TE TERMINAL	TE TERMINAL	TE TERMINAL
1742979-1			

WIRE SIZE	CRIMP HEIGHT mm [INCH]	CRIMP HEIGHT REFERENCE SETTING
8500 CMA	2.11+/-0.05 [.083+/-0.002]	10.1
4000 CMA	1.65+/-0.05 [.065+/-0.002]	10.1



- 1 RECOMMENDED SPARE PARTS
- 2 REFER TO SUPPLIED INSTRUCTION SHEET FOR CLEANING, LUBRICATION AND STORAGE OF APPLICATOR.
- 3 APPLY PART NUMBER 2-23419-6 LOCTITE TO THREADS OF ITEM 242.
- 4 CRIMP HEIGHT REFERENCE SETTING WAS THE SETTING USED WHEN THE APPLICATOR WAS QUALIFIED AT THE FACTORY. ADJUSTMENT MAY BE NECESSARY WHEN RUNNING APPLICATOR IN THE FIELD.
- 5 TERMINAL LUBRICANT IS RECOMMENDED.
- 6 REFER TO TERMINAL CUSTOMER DRAWING FOR CRIMP HEIGHT FORMULA.
- 7. UNLESS SPECIFIED OTHERWISE TORQUE VALUES SHALL BE USED PER DOCUMENT, 101-35000.

***WARNING**
ON INSTALLATION, SET WIRE DISC TO CRIMP HEIGHT REFERENCE SETTING FOR LARGEST WIRE SIZE. CRIMP HEIGHT REFERENCE SETTINGS GREATER THAN THE VALUE SHOWN MAY CAUSE DAMAGE TO THE CRIMP TOOLING. REFER TO THE INSTRUCTION SHEET FOR PROPER SETUP AND ADJUSTMENTS.

PACIFIC VERSION
Shown on sheets 3 of 4 & 4 of 4
(Atlantic version shown on sheets 1 of 4 & 2 of 4)

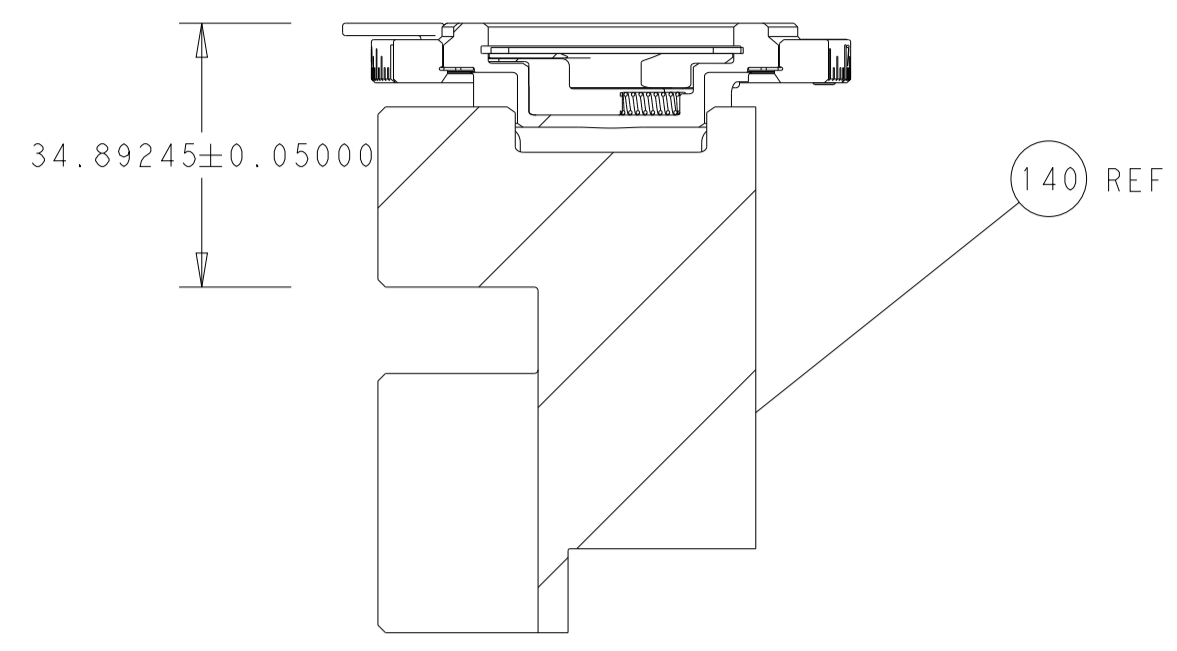
LOC	DIST	REVISIONS					
		P	LTN	DESCRIPTION	DATE	DWN	APVD
A	66	-	-	SEE SHEET 1	-	-	-

-	1	1	2119082-4	CAM, SNAIL, INSULATION ADJUSTMENT	244	
-	1	1	2079764-1	WASHER, WAVE SPRING, CREST-TO-CREST	243	
3	-	1	2119083-1	RETAINER, INSULATION DIAL	242	
-	-	1	2119580-1	MECHANICAL FEED ASSEMBLY	239	
-	1	-	2844940-3	AIR FEED MODULE	238	
-	1	1	1-18028-0	WASHER, FLAT, REG M8	192	
-	2	2	1-2168083-1	SCR, SKT HD CAP, RoHS, M3 X 6	191	
-	4	4	2079383-9	SCR, BHSC, RoHS (M6 X 20)	186	
-	REF	REF	994970-2	COUNTER, MAGNETIC	164	
-	1	-	2119641-2	FEED CAM, AIR FEED	152	
-	1	1	2168083-8	SCR, SKT HD CAP, RoHS, M4 X 16	144	
-	-	1	2119653-2	FEED CAM, POST FEED	142	
-	1	1	2119655-6	APPLICATOR BASIC ASSEMBLY, EF	141	
-	1	1	1803518-2	RAM ASSEMBLY, EF PACIFIC	140	
5	-	1	2119955-2	ASSY, LUBRICATOR, END FEED	84	
-	1	1	2-455888-4	SPACER, CRIMPER -	82	
-	1	1	1803607-4	DOCUMENTATION PACKAGE	71	
-	2	2	3-18032-3	SCR, SET, FLT PNT, M3 X 20.0	70	
-	1	1	2119740-1	TAG, IDENTIFICATION	67	
-	2	2	2168078-1	SCREW, DRIVE, RH, RoHS, 2 x .188	66	
-	1	1	5-18022-5	SCR, HEX HD CAP, M4 X 6.0	59	
-	-	1	2063961-1	FEED FINGER	58	
-	4	4	2168400-1	SHCS, LOW HEAD, RoHS, M4 X 12	57	
-	2	2	5018030-1	NUT, HEX, REG, RoHS, M3	54	
-	2	2	986965-8	NUT, LOCK, HEX, TORQUE (M4)	53	
-	1	-	2063961-1	FEED FINGER	51	
-	1	2	18023-9	SCR, SKT HD CAP M4 X 6.0	49	
-	-	1	2119652-1	FEED CAM, PRE FEED	48	
-	1	1	1803602-2	SCR, BHSC, RoHS (M8 X 40)	41	
-	8	8	1-18028-2	WASHER, FLAT, REG M4	33	
-	2	2	2168083-8	SCR, SKT HD CAP, RoHS, M4 X 16	31	
-	2	2	1-2168083-0	SCR, SKT HD CAP, RoHS, M4 X 10	29	
-	1	1	240639-1	STRIPPER (MACHINING)	27	
-	2	2	1-2168083-6	SCR, SKT HD CAP, RoHS, M4 X 35	25	
-	1	1	2161922-5	PLATE, STRIP GUIDE	24	
-	2	2	2-22281-3	SPRING, COMPRESSION	22	
-	1	1	1-1633168-0	ARM, STOCK DRAG	21	
-	1	1	464452-2	DRAG, STOCK	20	
-	1	1	1-1901259-2	GUIDE, LOWER STRIP	19	
-	1	1	4-1901695-9	STRIP GUIDE, FRONT	18	
1	-	1	461160-3	PLATE, REAR SHEAR	11	
1	-	4	7-240645-4	SPACER, SHEAR PLATE	10	
1	-	1	455961-5	PLATE, FRONT SHEAR	9	
1	1	1	1-1803060-7	ANVIL, COMBINATION, END FEED	8	
1	-	1	2-459722-8	BLADE, SHEAR	7	
-	-	-	-	-	6	
-	1	1	1-238011-0	BLOCK, CRIMPER SPACER	4	
1	1	1	1803221-2	CRIMPER, INSULATION OVERLAP PREMIUM	3	
-	1	1	2-455888-5	SPACER, CRIMPER -	2	
1	1	1	1803188-8	CRIMPER, WIRE	1	
-	77	22	21	PART NO	DESCRIPTION	ITEM NO

DIMENSIONS:		TOLERANCES UNLESS OTHERWISE SPECIFIED:		MATERIAL:	
mm	0 PLC ±	1 PLC ±	2 PLC ±	3 PLC ±	4 PLC ±
	ANGLES ±	FINISH ±			

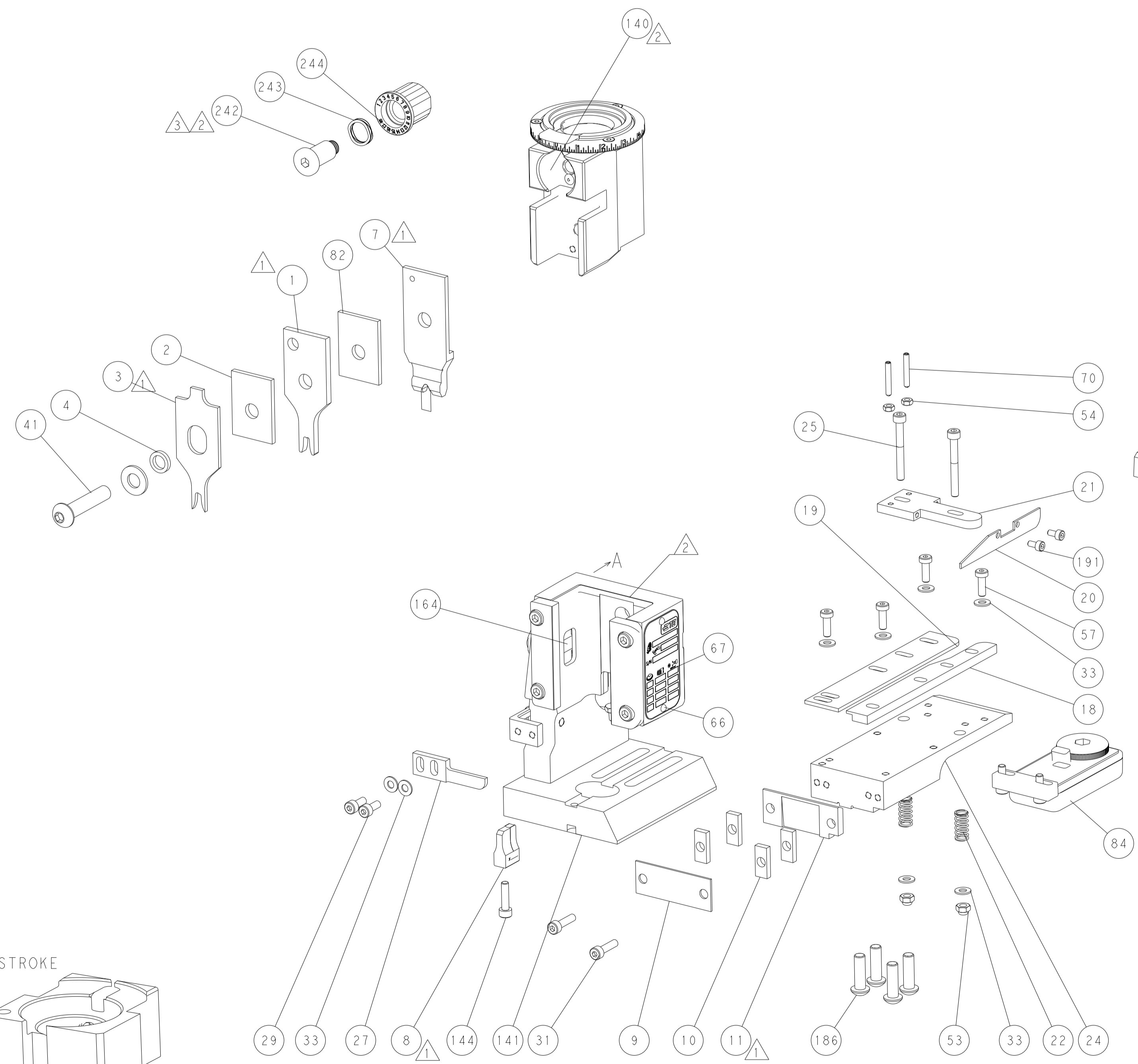
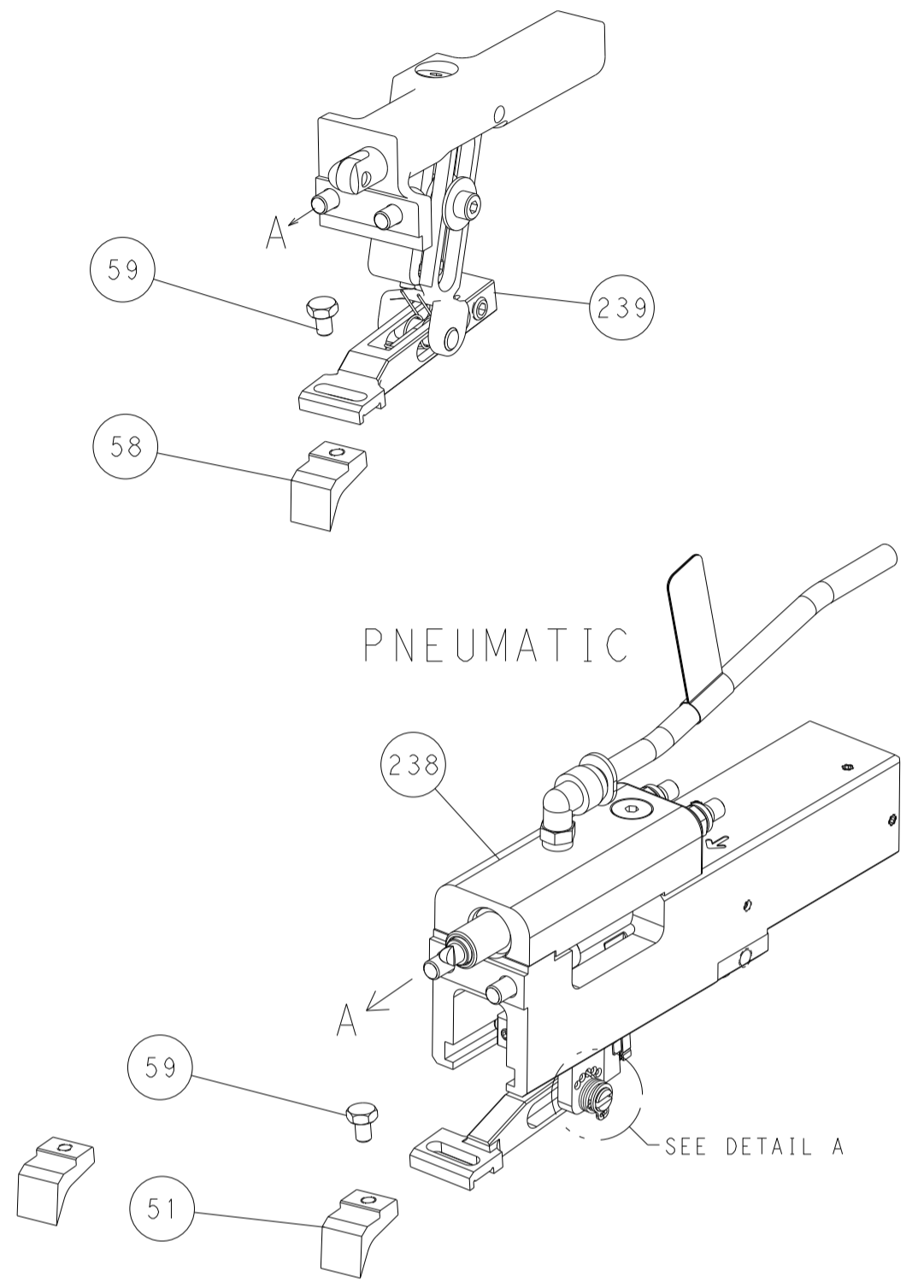
OWN	R. STAKEM	30 JUNE 2014
CHK	G. BAILEY	30 JUNE 2014
APVD	T. ELBIN	30 JUNE 2014
NAME	Ocean End Feed Applicator	
SIZE	CAGE CODE	DRAWING NO
A1	00779	2150449
Customer Accessible Production Drawing		
SCALE	1:1	SHEET 3 OF 4
REV	D	

LOC		DIST		REVISIONS			
A	66	P	LTM	DESCRIPTION	DATE	DWN	APVD
		-		SEE SHEET 1			

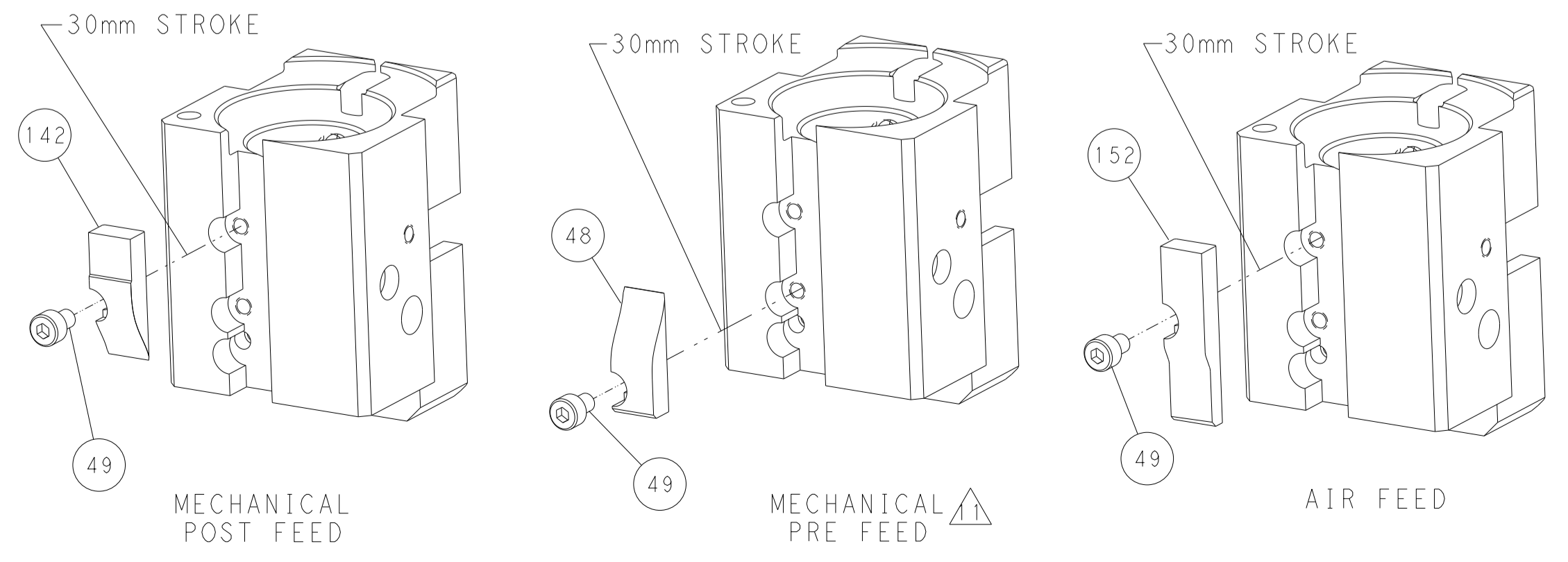


RAM SET-UP

FEED TYPE
 MECHANICAL



CAM POSITIONS



PACIFIC VERSION
 Shown on sheets 3 of 4 & 4 of 4
 (Atlantic version shown on sheets 1 of 4 & 2 of 4)

DIMENSIONS:		TOLERANCES UNLESS OTHERWISE SPECIFIED:		DWN		30 JUNE 2014		TE Connectivity	
mm	0 PLC ±	1 PLC ±	2 PLC ±	3 PLC ±	4 PLC ±	CHK	30 JUNE 2014	Harrisburg, PA 17105-3608	
	ANGLES	FINISH		APVD	30 JUNE 2014	NAME		Ocean End Feed Applicator	
MATERIAL				WEIGHT		SIZE	CAGE CODE	DRAWING NO	RESTRICTED TO
						A1	00779	©=2150449	
Customer Accessible Production Drawing				SCALE	1:1	SHEET	4	OF	4
				REV	D				