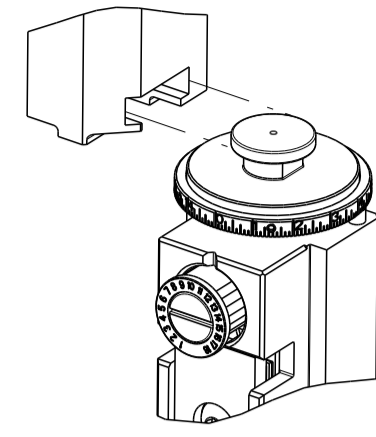


PART NUMBER	REVISION	DESCRIPTION	FEED TYPE
2150189-1	D	FINE CRIMP HEIGHT ADJUST	MECHANICAL
2150189-2	D	FINE CRIMP HEIGHT ADJUST	PNEUMATIC
7-2150189-1	D	MECHANICAL AND CRIMP TOOLING KIT	MECHANICAL
7-2150189-2	D	PNEUMATIC AND CRIMP TOOLING KIT	PNEUMATIC
7-2150189-7	A	CRIMP TOOLING KIT	-

ATLANTIC VERSION TERMINATOR INTERFACE ADAPTER



APPLICATOR DATA		
CRIMP	SIZE	TYPE
WIRE	2.03 mm [.080]	0
INSUL		
APPL INSTRUCTIONS 408-35043		

TERMINAL DATA: TE TERMINAL		TE CRIMP SPECIFICATION	
TERMINAL NAME: CIRCULAR WIRE PIN TERMINAL			
WIRE STRIP LENGTH		INSULATION DIAMETER RANGE	
8.18-9.20 mm [.322-.362 IN]			
TERMINAL APPLICATION SPECIFICATION	NONE		
TERMINALS APPLIED			
TE TERMINAL	TE TERMINAL	TE TERMINAL	TE TERMINAL
925856-1	925856-2		

WIRE SIZE	CRIMP HEIGHT mm [INCH]	CRIMP HEIGHT REFERENCE SETTING
2.50mm <sup>2</sup>	2.16+/-0.05 [.085+/-0.002]	2.9
1.50mm <sup>2</sup>	1.80+/-0.05 [.071+/-0.002]	6.5

- 1 RECOMMENDED SPARE PARTS
- 2 REFER TO SUPPLIED INSTRUCTION SHEET FOR CLEANING, LUBRICATION AND STORAGE OF APPLICATOR.
- 3 CRIMP HEIGHT REFERENCE SETTING WAS THE SETTING USED WHEN THE APPLICATOR WAS QUALIFIED AT THE FACTORY. ADJUSTMENT MAY BE NECESSARY WHEN RUNNING APPLICATOR IN THE FIELD.
- 4. UNLESS SPECIFIED OTHERWISE TORQUE VALUES SHALL BE USED PER DOCUMENT, 101-35000.

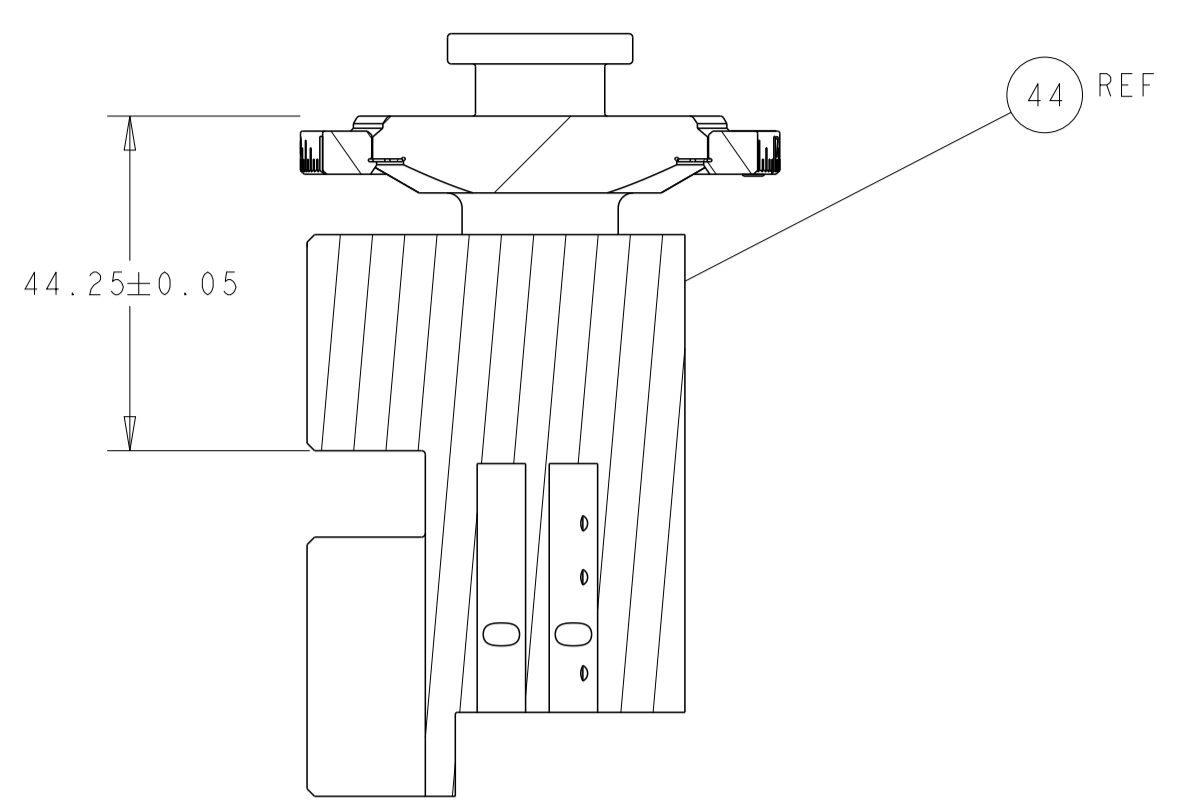
**\*WARNING**  
ON INSTALLATION, SET WIRE DISC TO CRIMP HEIGHT REFERENCE SETTING FOR LARGEST WIRE SIZE. CRIMP HEIGHT REFERENCE SETTINGS GREATER THAN THE VALUE SHOWN MAY CAUSE DAMAGE TO THE CRIMP TOOLING, REFER TO THE INSTRUCTION SHEET FOR PROPER SETUP AND ADJUSTMENTS.

LOC	DIST	REVISIONS					
A	66	P	LTN	DESCRIPTION	DATE	DWN	APVD
		A		RELEASED	27OCT2015	MR	TE
		B		ECR-18-014320	12SEP2018	MZ	KZ
		C		ECR-22-150232	23AUG2022	JWC	TE
		D		ECR-23-192698	16NOV2023	FZ	JAH

-	1	-	1	-	2119641-1	FEED CAM, AIR FEED	248	
-	-	1	-	1	2119580-1	MECHANICAL FEED ASSEMBLY	239	
-	1	-	1	-	2844940-3	AIR FEED MODULE	238	
-	1	1	1	1	1803071-1	SPACER, REAR SHEAR STRIP GUIDE	196	
-	1	1	1	1	2-459722-2	BLADE, SHEAR	195	
-	2	2	2	2	2168083-1	SCR, SKT HD CAP, RoHS, M3 X 8.0	191	
-	REF	REF	REF	REF	994970-2	COUNTER, MAGNETIC	164	
-	1	1	1	1	455888-5	SPACER, CRIMPER -	82	
-	1	1	1	1	1803607-4	DOCUMENTATION PACKAGE	71	
-	2	2	2	2	3-18032-3	SCR, SET, FLT PNT, M3 X 20.0	70	
-	1	1	1	1	2119740-1	TAG, IDENTIFICATION	67	
-	2	2	2	2	2168078-1	SCREW, DRIVE, RH, RoHS, 2 x .188	66	
-	2	2	2	2	2168400-8	SHCS, LOW HEAD, RoHS, M4 X 16	64	
-	1	1	1	1	5-18022-5	SCR, HEX HD CAP, M4 X 6.0	59	
-	-	1	-	1	2063961-1	FEED FINGER	58	
-	3	3	3	3	2168400-4	SHCS, LOW HEAD, RoHS, M4 X 8	57	
-	2	2	2	2	5018030-1	NUT, HEX, REG, RoHS, M3	54	
-	2	2	2	2	986965-8	NUT, LOCK, HEX, TORQUE (M4)	53	
-	1	-	1	-	1-2063961-0	FEED FINGER	51	
-	1	2	1	2	18023-9	SCR, SKT HD CAP M4 X 6.0	49	
-	-	1	-	1	2119652-1	FEED CAM, PRE FEED	48	
-	-	1	-	1	2119653-1	FEED CAM, POST FEED	47	
-	1	1	1	1	1-2119655-7	APPLICATOR BASIC ASSEMBLY, EF	46	
-	1	1	1	1	1803517-1	RAM ASSEMBLY, EF ATLANTIC	44	
-	1	1	1	1	1803602-1	SCR, BHSC, RoHS (M8 X 25)	41	
-	7	7	7	7	1-18028-2	WASHER, FLAT, REG M4	33	
-	2	2	2	2	1-2168083-2	SCR, SKT HD CAP, RoHS, M4 X 25	31	
-	2	2	2	2	1-2168083-0	SCR, SKT HD CAP, RoHS, M4 X 10	29	
-	1	1	1	1	690455-1	STRIPPER, FRONT CASTING	27	
-	2	2	2	2	1-2168083-6	SCR, SKT HD CAP, RoHS, M4 X 35	25	
-	1	1	1	1	1752371-1	PLATE, STRIP GUIDE	24	
-	1	1	1	1	240825-1	PLATE, STRIP HOLD DOWN	23	
-	2	2	2	2	22281-8	SPRING, COMPRESSION	22	
-	1	1	1	1	1633168-1	ARM, STOCK DRAG	21	
-	1	1	1	1	1-464452-6	DRAG, STOCK	20	
-	2	2	2	2	1901259-3	GUIDE, LOWER STRIP	18	
-	4	4	4	4	1-2079383-1	SCR, BHSC, RoHS (M6 X 12)	17	
-	1	1	1	1	240644-1	PLATE, REAR SHEAR	11	
-	2	2	2	2	6-240645-5	SPACER, SHEAR PLATE	10	
-	1	2	2	1	1633342-6	ANVIL, WIRE	8	
-	-	-	-	-	-	-	5	
-	-	-	-	-	-	-	4	
-	-	-	-	-	-	-	3	
-	-	-	-	-	-	-	2	
-	1	2	2	1	1-1633723-4	CRIMPER, WIRE 0 -	1	
-	77	72	71	2	-1	PART NO	DESCRIPTION	ITEM NO

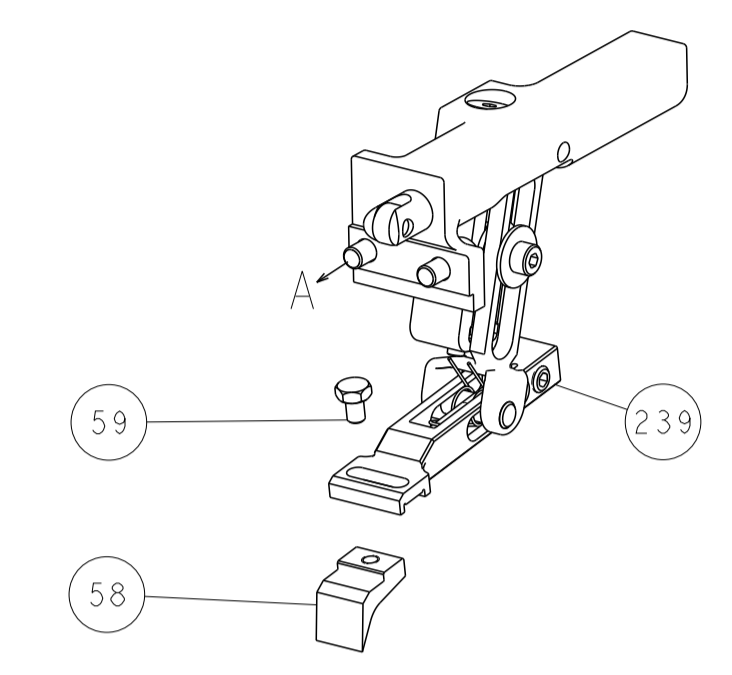
<small>THIS DRAWING IS UNPUBLISHED. RELEASED FOR PUBLICATION. COPYRIGHT 20 BY TYCO ELECTRONICS CORPORATION. ALL RIGHTS RESERVED.</small>		DWN: HOFFNER 11JUNE2014 CHK: T. ELBIN 12JUNE2014 APVD: T. ELBIN 12JUNE2014	TE Connectivity Harrisburg, PA 17105-3608
DIMENSIONS: mm 		TOLERANCES UNLESS OTHERWISE SPECIFIED: 0 PLC ± 1 PLC ± 2 PLC ± 3 PLC ± 4 PLC ± ANGLES ± FINISH ±	NAME: Ocean End Feed Applicator PRODUCT SPEC: - APPLICATION SPEC: - SIZE: A   00779   C=2150189 SCALE: 1:1 SHEET 1 OF 4 REV D
MATERIAL: - FINISH: -		WEIGHT: - RESTRICTED TO: -	Customer Accessible Production Drawing

LOC	DIST	REVISIONS					
A	66	P	LTM	DESCRIPTION	DATE	OWN	APVD
		-	-	SEE SHEET 1	-	-	-

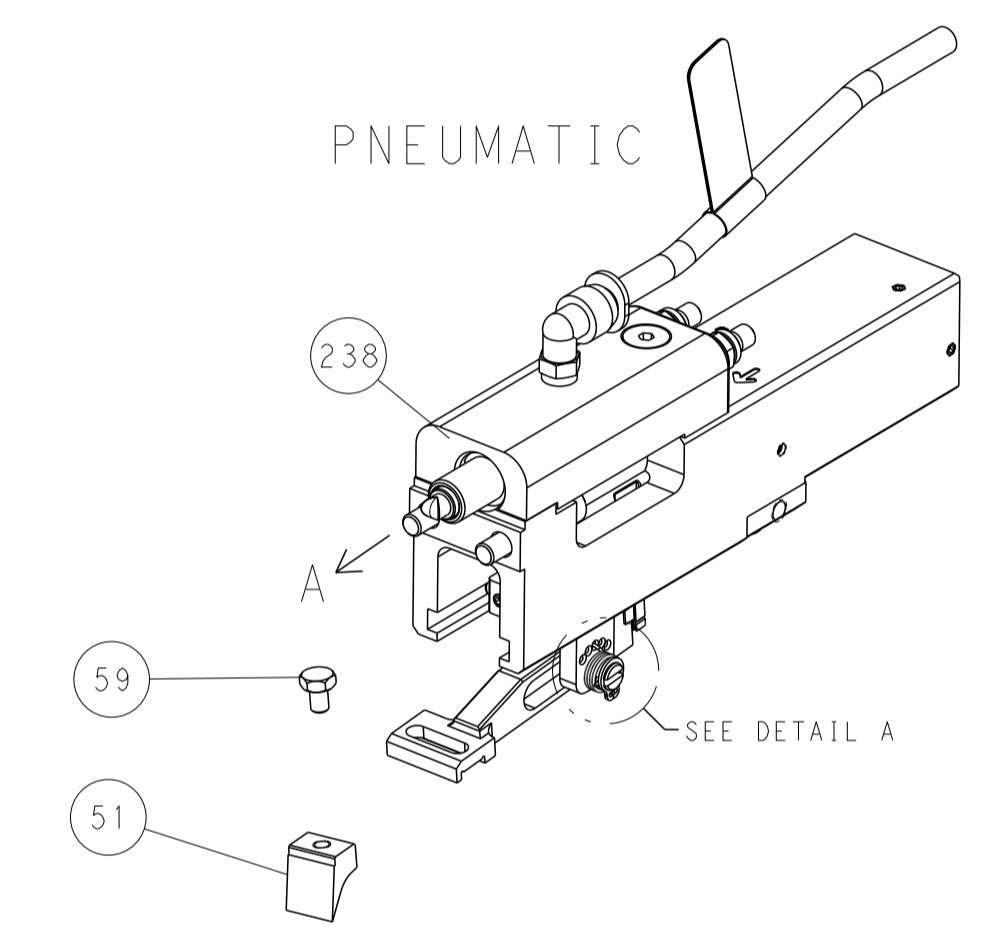


RAM SET-UP

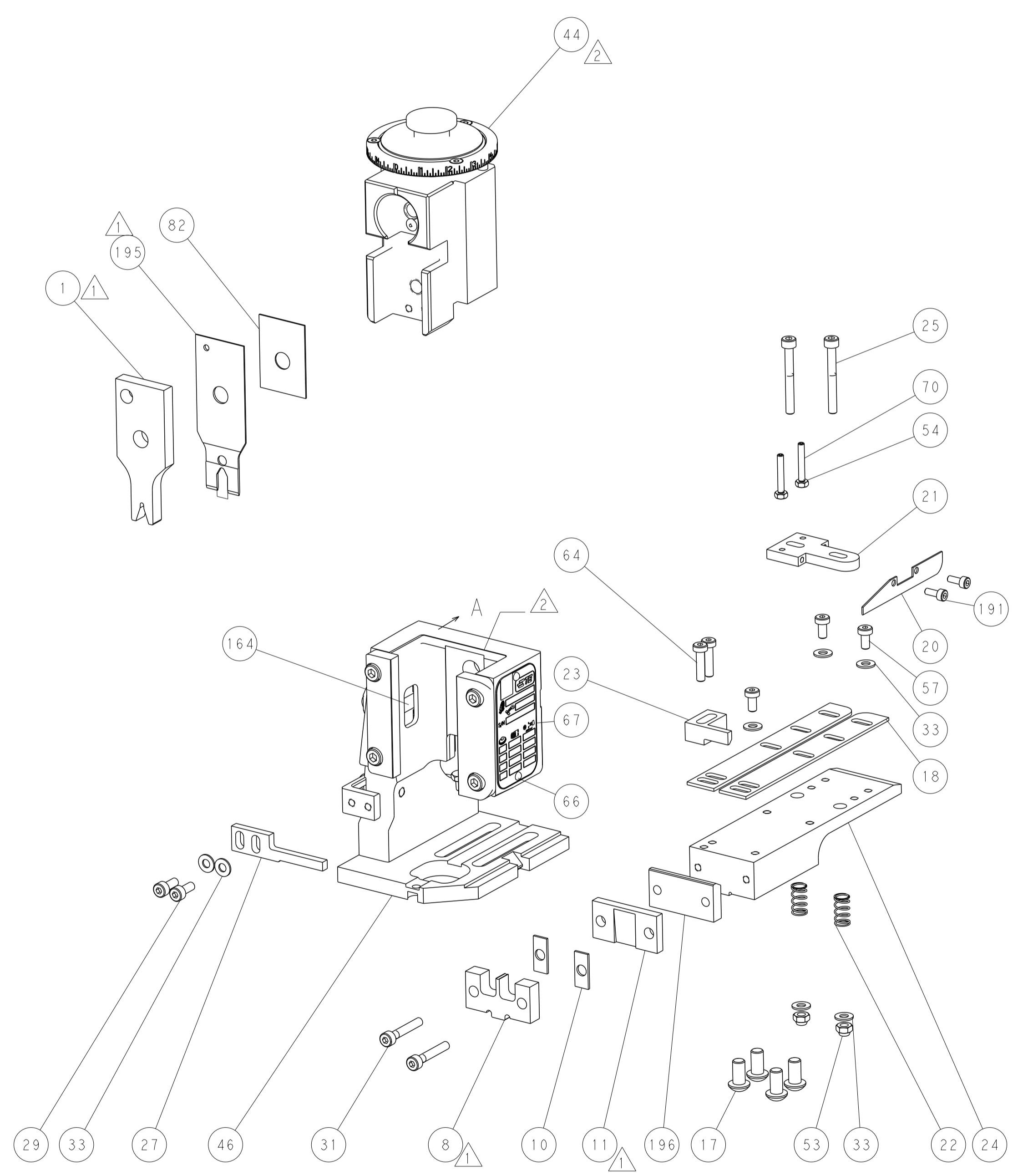
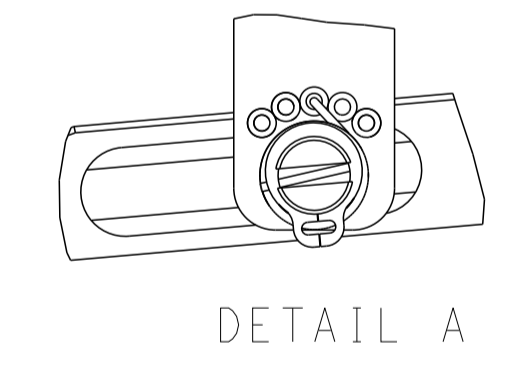
FEED TYPE  
 MECHANICAL



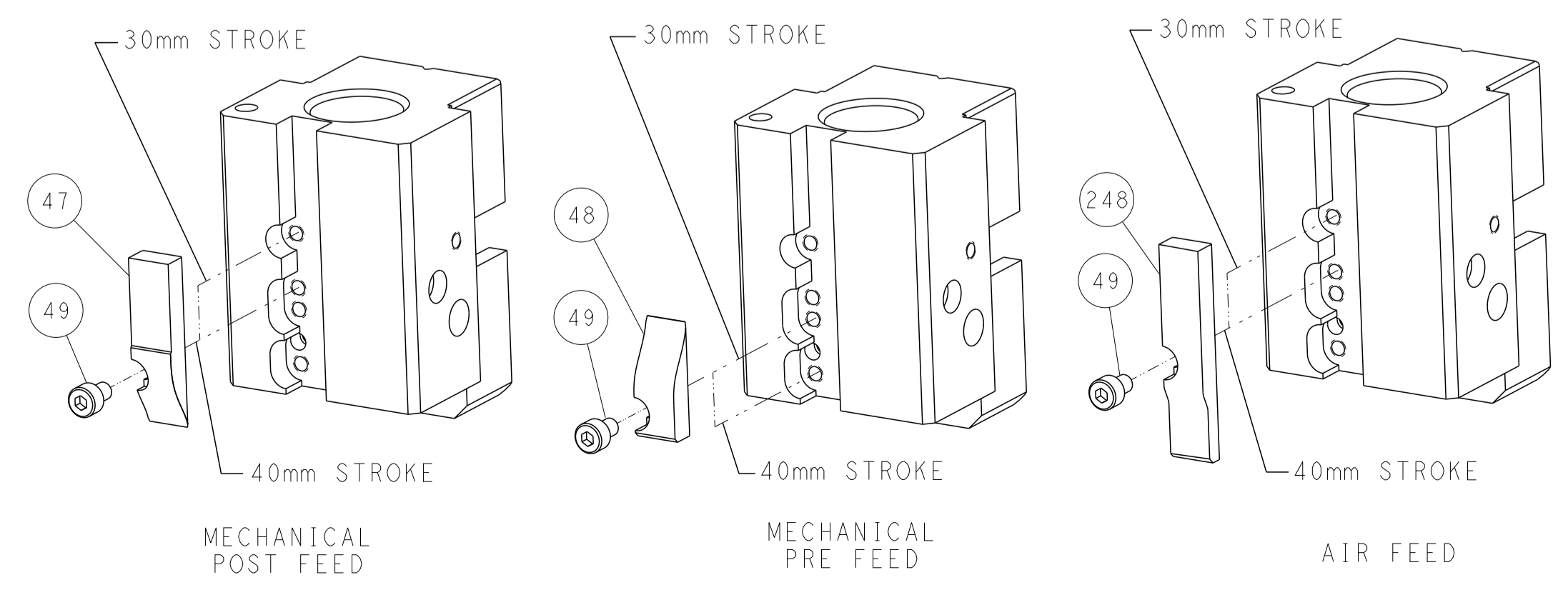
PNEUMATIC



FEED SPRING  
 SETTING POSITION



CAM POSITIONS



DIMENSIONS: mm 		TOLERANCES UNLESS OTHERWISE SPECIFIED: 0 PLC ± 1 PLC ± 2 PLC ± 3 PLC ± 4 PLC ± ANGLES ± FINISH		DWN HOFFNER 11 JUNE 2014 CHK T. ELBIN 12 JUNE 2014 APVD T. ELBIN 12 JUNE 2014 PRODUCT SPEC APPLICATION SPEC WEIGHT Customer Accessible Production Drawing		NAME Ocean End Feed Applicator SIZE CAGE CODE DRAWING NO A1 00779 C=2150189 SCALE 1:1 SHEET 2 OF 4 REV D	
MATERIAL:		FINISH:		DATE:		REVISIONS:	