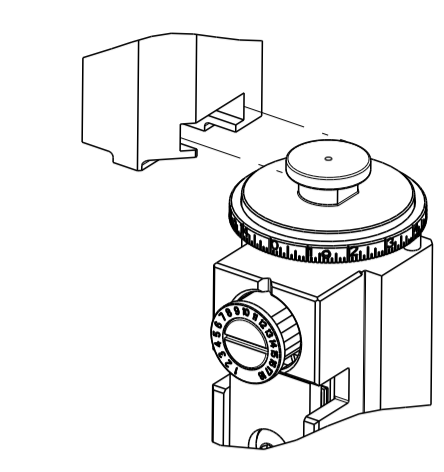


PART NUMBER	REVISION	DESCRIPTION	FEED TYPE
2150081-1	F	FINE CRIMP HEIGHT ADJUST	MECHANICAL
2150081-2	F	FINE CRIMP HEIGHT ADJUST	PNEUMATIC
7-2150081-1	F	MECHANICAL AND CRIMP TOOLING KIT	MECHANICAL
7-2150081-2	F	PNEUMATIC AND CRIMP TOOLING KIT	PNEUMATIC
7-2150081-7	B	CRIMP TOOLING KIT	-

ATLANTIC VERSION TERMINATOR INTERFACE ADAPTER



APPLICATOR DATA

CRIMP	SIZE	TYPE
WIRE	2.29 mm [.090]	F
INSUL	3.30 mm [.130]	F

APPL INSTRUCTIONS 408-35043

TERMINAL DATA: TE TERMINAL TE CRIMP SPECIFICATION

TERMINAL NAME: FASTON CONNECTOR, .187 SERIES REC

WIRE STRIP LENGTH	INSULATION DIAMETER RANGE
3.90-4.70 mm [.154-.185 IN]	Ø2.30-3.30 mm [.091-.130 IN]

TERMINAL APPLICATION SPECIFICATION 114-20081

TERMINALS APPLIED

TE TERMINAL	TE TERMINAL	TE TERMINAL	TE TERMINAL
100494-2	5-160433-1	160713-1	281369-2
100651-2	5-160433-6	160713-2	
5-160430-6	6-160433-5	160713-3	
5-160430-7	7-160433-1	160713-4	
6-160430-6	7-160433-8	160713-5	

TERMINAL DATA: TE TERMINAL TE CRIMP SPECIFICATION

TERMINAL NAME: FASTON CONNECTOR, .187 SERIES REC

WIRE STRIP LENGTH	INSULATION DIAMETER RANGE
3.90-4.70 mm [.154-.185 IN]	Ø2.30-3.30 mm [.091-.130 IN]

TERMINAL APPLICATION SPECIFICATION 114-20081

TERMINALS APPLIED

TE TERMINAL	TE TERMINAL	TE TERMINAL	TE TERMINAL
5-160433-1	5-160430-7	160726-4	160713-1
5-160433-6	6-160430-6	5-160726-2	160713-2
6-160433-5	100651-2	160782-2	160713-3
7-160733-1	100494-2	160782-3	160713-4
7-160733-8	281369-2	160782-5	160713-5
5-160430-6	160726-1		

WIRE SIZE	CRIMP HEIGHT mm [INCH]	CRIMP HEIGHT REFERENCE SETTING
1.50mm2	1.50 +/- 0.05 [.059 +/- .002]	2.0
1.00mm2	1.45 +/- 0.05 [.057 +/- .002]	2.5
0.75mm2	1.40 +/- 0.05 [.055 +/- .002]	3.0
0.50mm2	1.35 +/- 0.05 [.053 +/- .002]	3.5

WIRE SIZE	CRIMP HEIGHT mm [INCH]	CRIMP HEIGHT REFERENCE SETTING
1.50mm2	1.56 +/- 0.05 [.061 +/- .002]	1.5
1.00mm2	1.39 +/- 0.05 [.055 +/- .002]	3.0
0.75mm2	1.31 +/- 0.05 [.052 +/- .002]	3.8
0.50mm2	1.22 +/- 0.05 [.048 +/- .002]	4.8



- 1 RECOMMENDED SPARE PARTS
- 2 REFER TO SUPPLIED INSTRUCTION SHEET FOR CLEANING, LUBRICATION AND STORAGE OF APPLICATOR.
- 3 APPLY PART NUMBER 2-23419-6 LOCTITE TO THREADS OF ITEM 242. APPLY PART NUMBER 1-23419-5 LOCTITE TO THREADS OF ITEM 180.
- 4 CRIMP HEIGHT REFERENCE SETTING WAS THE SETTING USED WHEN THE APPLICATOR WAS QUALIFIED AT THE FACTORY. ADJUSTMENT MAY BE NECESSARY WHEN RUNNING APPLICATOR IN THE FIELD.
- 5 THESE ARE ALTERNATE CRIMP HEIGHT VALUES. REFER TO TERMINAL APPLICATION SPECIFICATION FOR DETAILS.
- 6. UNLESS SPECIFIED OTHERWISE TORQUE VALUES SHALL BE USED PER DOCUMENT, 101-35000.

***WARNING**
ON INSTALLATION, SET WIRE DISC TO CRIMP HEIGHT REFERENCE SETTING FOR LARGEST WIRE SIZE. CRIMP HEIGHT REFERENCE SETTINGS GREATER THAN THE VALUE SHOWN MAY CAUSE DAMAGE TO THE CRIMP TOOLING. REFER TO THE INSTRUCTION SHEET FOR PROPER SETUP AND ADJUSTMENTS.

TERMINAL DATA: TE TERMINAL TE CRIMP SPECIFICATION

TERMINAL NAME: FASTON CONNECTOR, .187 SERIES REC

WIRE STRIP LENGTH	INSULATION DIAMETER RANGE
3.90-4.70 mm [.154-.185 IN]	Ø2.30-3.30 mm [.091-.130 IN]

TERMINAL APPLICATION SPECIFICATION 114-20081

TERMINALS APPLIED

TE TERMINAL	TE TERMINAL	TE TERMINAL	TE TERMINAL
100494-2			

WIRE SIZE	CRIMP HEIGHT mm [INCH]	CRIMP HEIGHT REFERENCE SETTING
1.50mm2	1.50 +/- 0.05 [.059 +/- .002]	2.0
1.40mm2	1.47 +/- 0.05 [.058 +/- .002]	2.3
1.00mm2	1.45 +/- 0.05 [.057 +/- .002]	2.5
0.75mm2	1.40 +/- 0.05 [.055 +/- .002]	3.0
0.50mm2	1.35 +/- 0.05 [.053 +/- .002]	3.5

TERMINAL DATA: TE TERMINAL TE CRIMP SPECIFICATION

TERMINAL NAME: FASTON CONNECTOR, .187 SERIES REC

WIRE STRIP LENGTH	INSULATION DIAMETER RANGE
6.03-7.03 mm [.237-.277 IN]	Ø2.30-3.30 mm [.091-.130 IN]

TERMINAL APPLICATION SPECIFICATION 114-106242

TERMINALS APPLIED

TE TERMINAL	TE TERMINAL	TE TERMINAL	TE TERMINAL
2293255-1			

WIRE SIZE	CRIMP HEIGHT mm [INCH]	CRIMP HEIGHT REFERENCE SETTING
1.50mm2	1.47 +/- 0.05 [.058 +/- .002]	2.3
1.00mm2	1.31 +/- 0.05 [.052 +/- .002]	3.8
0.75mm2	1.22 +/- 0.05 [.048 +/- .002]	4.8
0.50mm2	1.11 +/- 0.05 [.044 +/- .002]	5.9

LOC	DIST	REV	DATE	BY	CHK
A	66	C	09AUG2017	TB	TE
		D	21SEP2018	TB	TE
		E	20JUN2019	LG	TE
		F	14FEB2024	TB	GB

ITEM NO	DESCRIPTION	QTY	UNIT	
- 1	- 1	-	2119641-1 FEED CAM, AIR FEED	248
- 1	1 1 1 1	2119082-9 CAM, SNAIL, INSULATION ADJUSTMENT	244	
- 1	1 1 1 1	2079764-1 WASHER, WAVE SPRING, CREST-TO-CREST	243	
- 1	1 1 1 1	2119083-1 RETAINER, INSULATION DIAL	242	
- 1	- 1 - 1	2119580-1 MECHANICAL FEED ASSEMBLY	239	
- 1	- 1 -	2844940-3 AIR FEED MODULE	238	
- 1	1 1 1 1	1-18028-0 WASHER, FLAT, REG M8	192	
- 1	1 1 1 1	1752354-4 STANDOFF, HOLD-DOWN	180	
- 1	1 1 1 1	6-993111-6 PIN, SLOTTED SPRING 3.0 X 14.0	177	
- 1	1 1 1 1	8-22280-7 SPRING, COMPRESSION	176	
- 1	1 1 1 1	1752353-2 GUIDE PIN, HOLDDOWN	175	
- 1	1 1 1 1	1901680-2 GUIDE PIN, HOLDDOWN	174	
- REF	REF	994970-2 COUNTER, MAGNETIC	164	
- 1	1 1 1 1	455888-7 SPACER, CRIMPER	82	
- 1	1 1 1 1	1803607-4 DOCUMENTATION PACKAGE	71	
- 2	2 2 2	2-18032-2 SCR, SET, FLT PNT, M3 X 10.0	70	
- 1	1 1 1 1	2119740-1 TAG, IDENTIFICATION	67	
- 2	2 2 2 2	2168078-1 SCREW, DRIVE, RH, RoHS, 2 x .188	66	
- 1	1 1 1 1	1-1901681-8 HOLDDOWN, TERMINAL	65	
- 1	1 1 1 1	2168083-2 SCR, SKT HD CAP, RoHS, M4 X 8.0	60	
- 1	1 1 1 1	5-18022-5 SCR, HEX HD CAP, M4 X 6.0	59	
- -	- 1 - 1	2063961-1 FEED FINGER	58	
- 4	4 4 4 4	2168400-4 SHCS, LOW HEAD, RoHS, M4 X 8	57	
- 2	2 2 2 2	2168083-2 SCR, SKT HD CAP, RoHS, M4 X 8.0	56	
- 2	2 2 2 2	5018030-1 NUT, HEX, REG, RoHS, M3	54	
- 2	2 2 2 2	986965-8 NUT, LOCK, HEX, TORQUE (M4)	53	
- 1	1 1 1 1	1-5018030-0 NUT, HEX, REG, RoHS, M3.5	52	
- 1	- 1 -	2063961-1 FEED FINGER	51	
- 1	2 1 2	18023-9 SCR, SKT HD CAP M4 X 6.0	49	
- -	- 1 - 1	2119652-1 FEED CAM, PRE FEED	48	
- -	- 1 - 1	2119653-1 FEED CAM, POST FEED	47	
- 1	1 1 1 1	2119655-5 APPLICATOR BASIC ASSEMBLY, EF	46	
- 1	1 1 1 1	1803517-1 RAM ASSEMBLY, EF ATLANTIC	44	
- 1	1 1 1 1	1803602-1 SCR, BHSC, RoHS (M8 X 25)	41	
- 8	8 8 8 8	1-18028-2 WASHER, FLAT, REG M4	33	
- 2	2 2 2 2	2168083-9 SCR, SKT HD CAP, RoHS, M4 X 20	31	
- 2	2 2 2 2	2168083-2 SCR, SKT HD CAP, RoHS, M4 X 8.0	29	
- 1	1 1 1 1	240639-4 STRIPPER (MACHINING)	27	
- 2	2 2 2 2	1-2168083-5 SCR, SKT HD CAP, RoHS, M4 X 30	25	
- 1	1 1 1 1	1752371-1 PLATE, STRIP GUIDE	24	
- 2	2 2 2 2	2-22281-3 SPRING, COMPRESSION	22	
- 1	1 1 1 1	1803292-4 DRAG	20	
- 1	1 1 1 1	1803152-1 STRIP GUIDE, REAR	19	
- 1	1 1 1 1	1803151-1 STRIP GUIDE, FRONT	18	
- 4	4 4 4 4	1-2079383-1 SCR, BHSC, RoHS (M6 X 12)	17	
- 1	1 1 1 1	1-240641-7 SPACER	16	
- 1	1 1 1 1	240644-1 PLATE, REAR SHEAR	11	
- -	- - - -	-	10	
- 1	1 1 1 1	1-690495-4 PLATE, FRONT SHEAR	9	
1	2 2 1 1	1333217-4 ANVIL, EF .090	8	
- 1	1 1 1 1	2217206-7 BLADE, SLUG	7	
- 1	1 1 1 1	4-240641-0 SPACER	5	
- 1	1 1 1 1	238011-2 BLOCK, CRIMPER SPACER	4	
1	2 2 1 1	2-1633961-6 CRIMPER, INSULATION F PREMIUM	3	
- 1	1 1 1 1	455888-8 SPACER, CRIMPER	2	
1	2 2 1 1	2-456406-3 CRIMPER, WIRE PREMIUM	1	
- 77-72-71-2 -1		PART NO	DESCRIPTION	ITEM NO

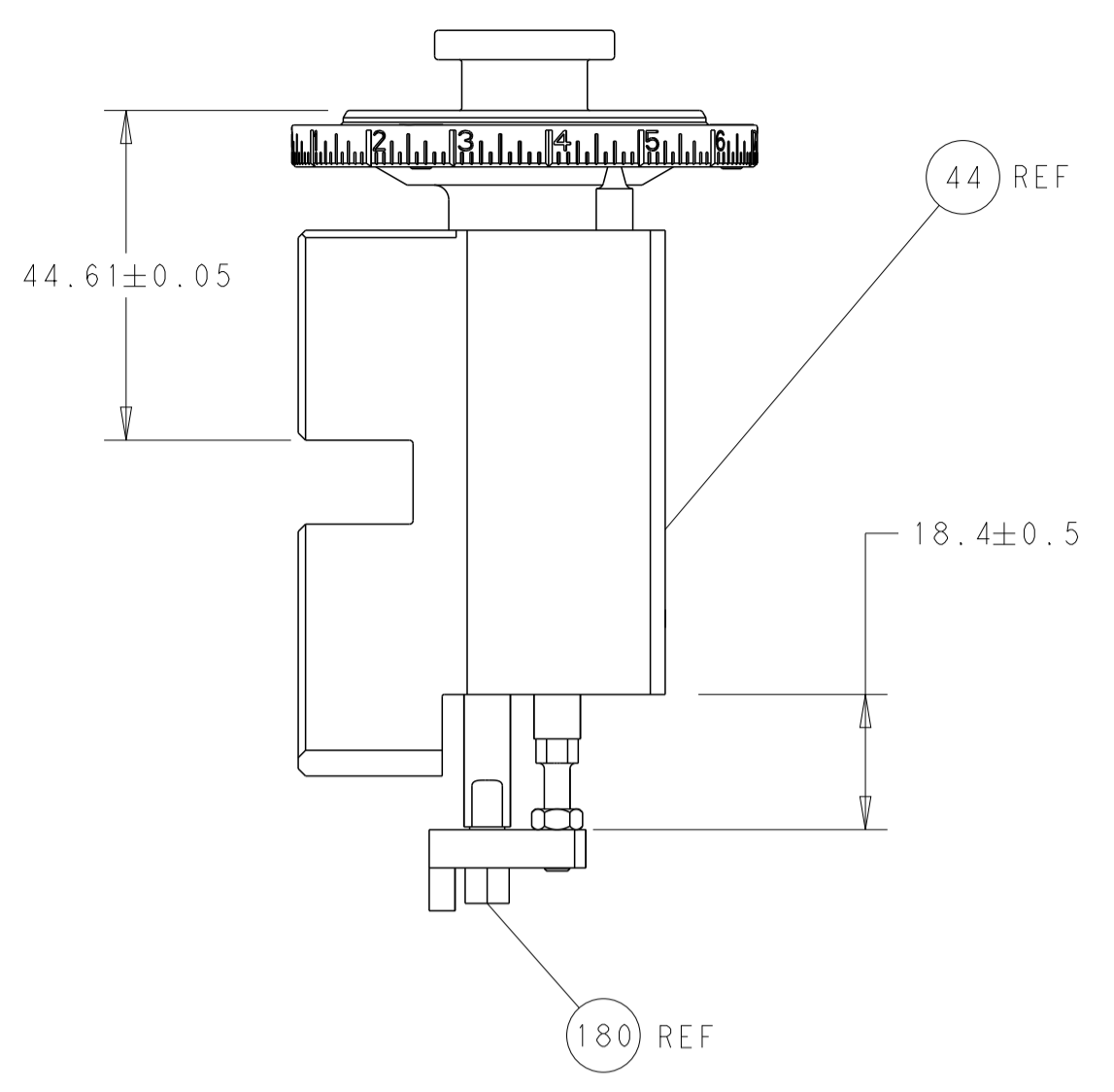
TE Connectivity
Harrisburg, PA 17105-3608

Ocean End Feed Applicator

SIZE: A1 CAGE CODE: 00779 DRAWING NO: 2150081

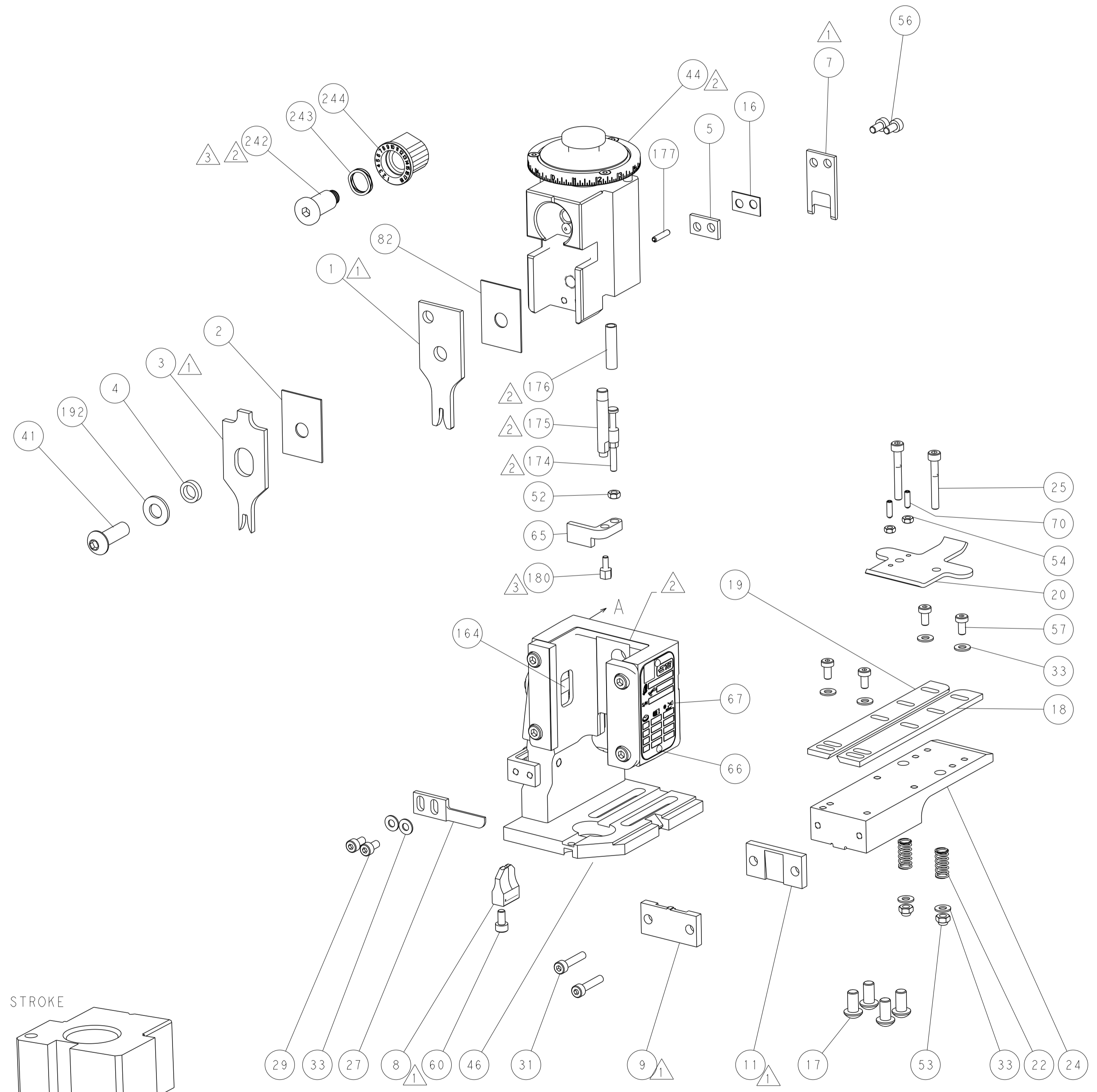
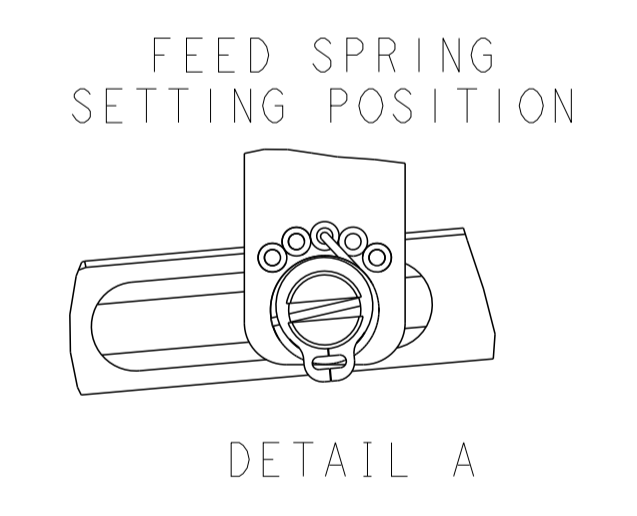
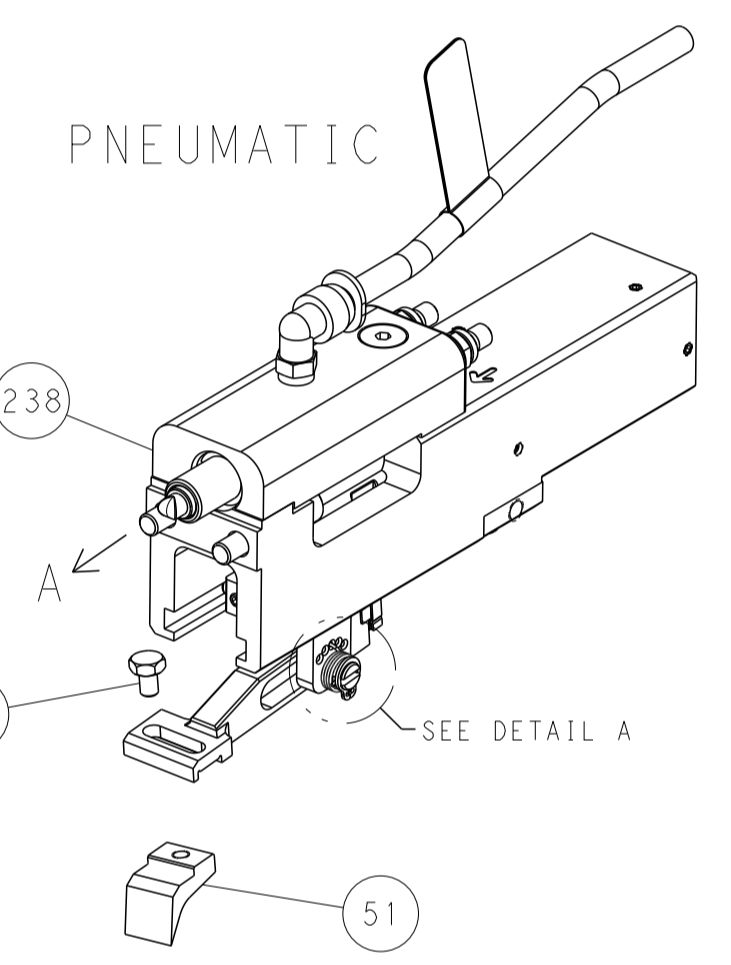
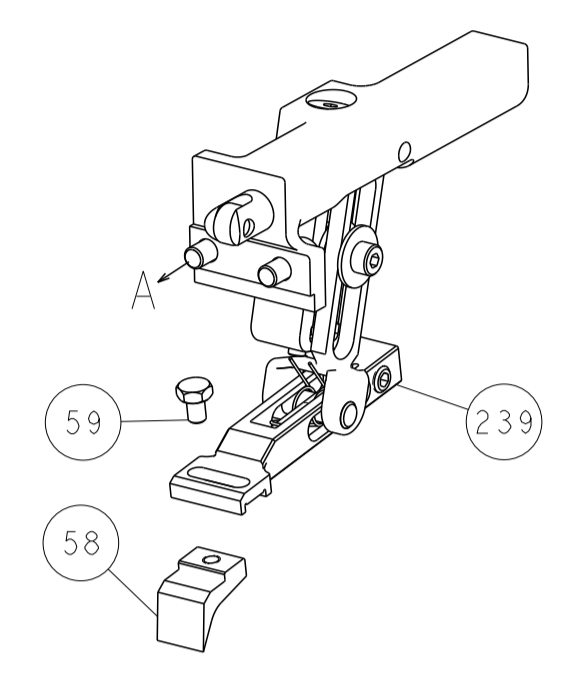
CUSTOMER ACCESSIBLE PRODUCTION DRAWING SCALE: 1:1 SHEET 1 OF 4 REV F

LOC	DIST	REV	DESCRIPTION	DATE	OWN	APVD
A	66		SEE SHEET 1			

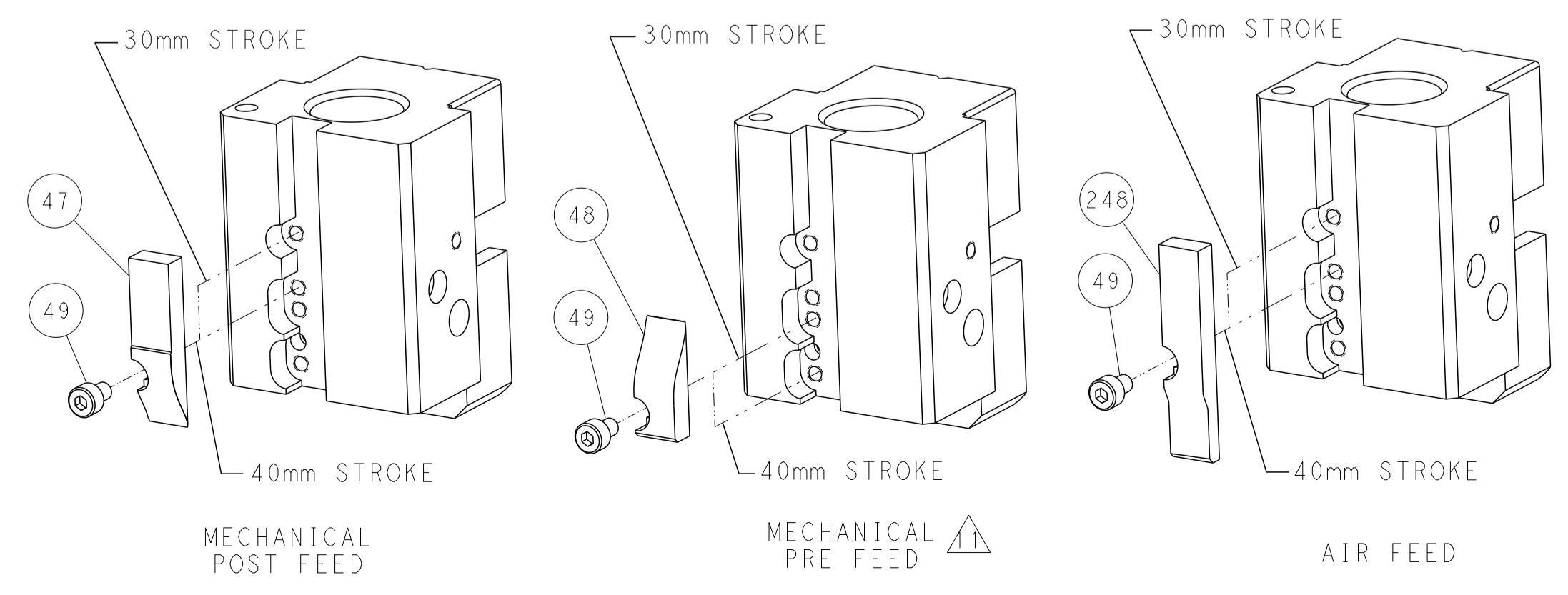


RAM AND HOLDDOWN SET-UP

FEED TYPE
MECHANICAL



CAM POSITIONS



DIMENSIONS: mm 		TOLERANCES UNLESS OTHERWISE SPECIFIED: 0 PLC ± 1 PLC ± 2 PLC ± 3 PLC ± 4 PLC ± ANGLES ± FINISH		DWN L. ZHANG 07FEB2012 CHK L. ZHANG 07FEB2012 APVD S. XI 07FEB2012 PRODUCT SPEC APPLICATION SPEC WEIGHT CUSTOMER ACCESSIBLE PRODUCTION DRAWING		NAME Ocean End Feed Applicator SIZE CAGE CODE DRAWING NO A1 00779 C=2150081 SCALE 1:1 SHEET 2 OF 4 REV F		RESTRICTED TO TE Connectivity Harrisburg, PA 17105-3608	
-----------------------	--	---	--	--	--	--	--	---	--