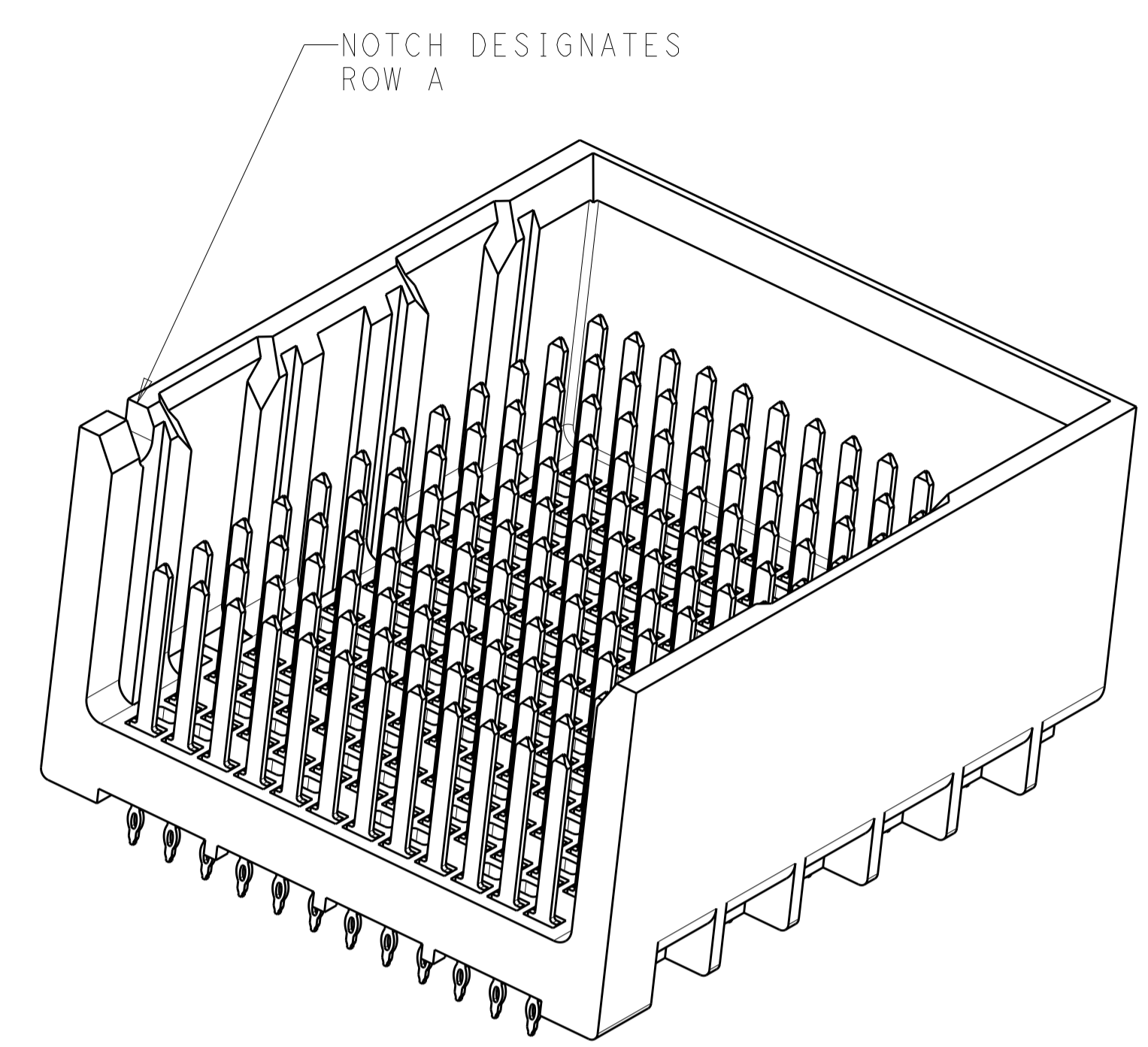
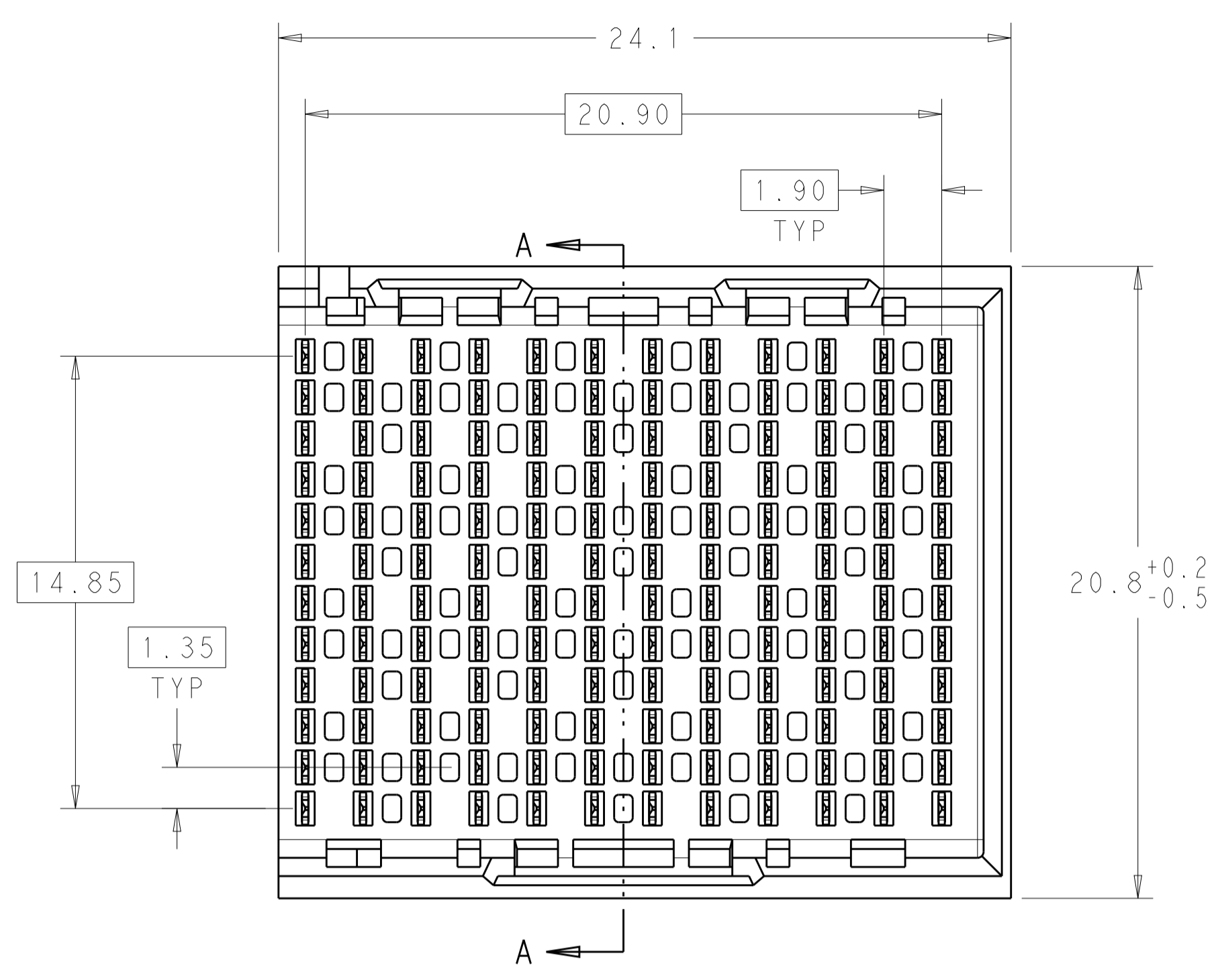
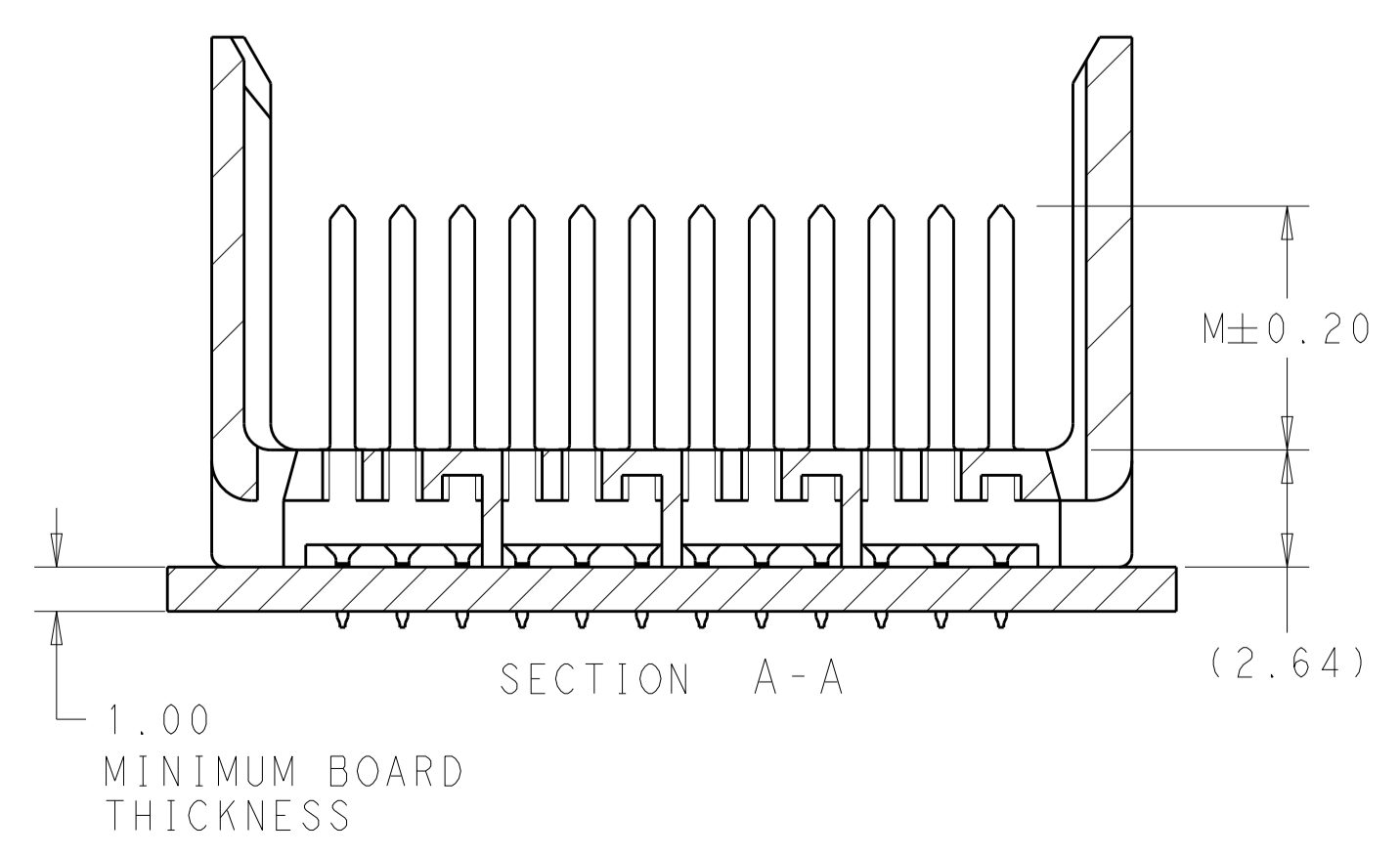
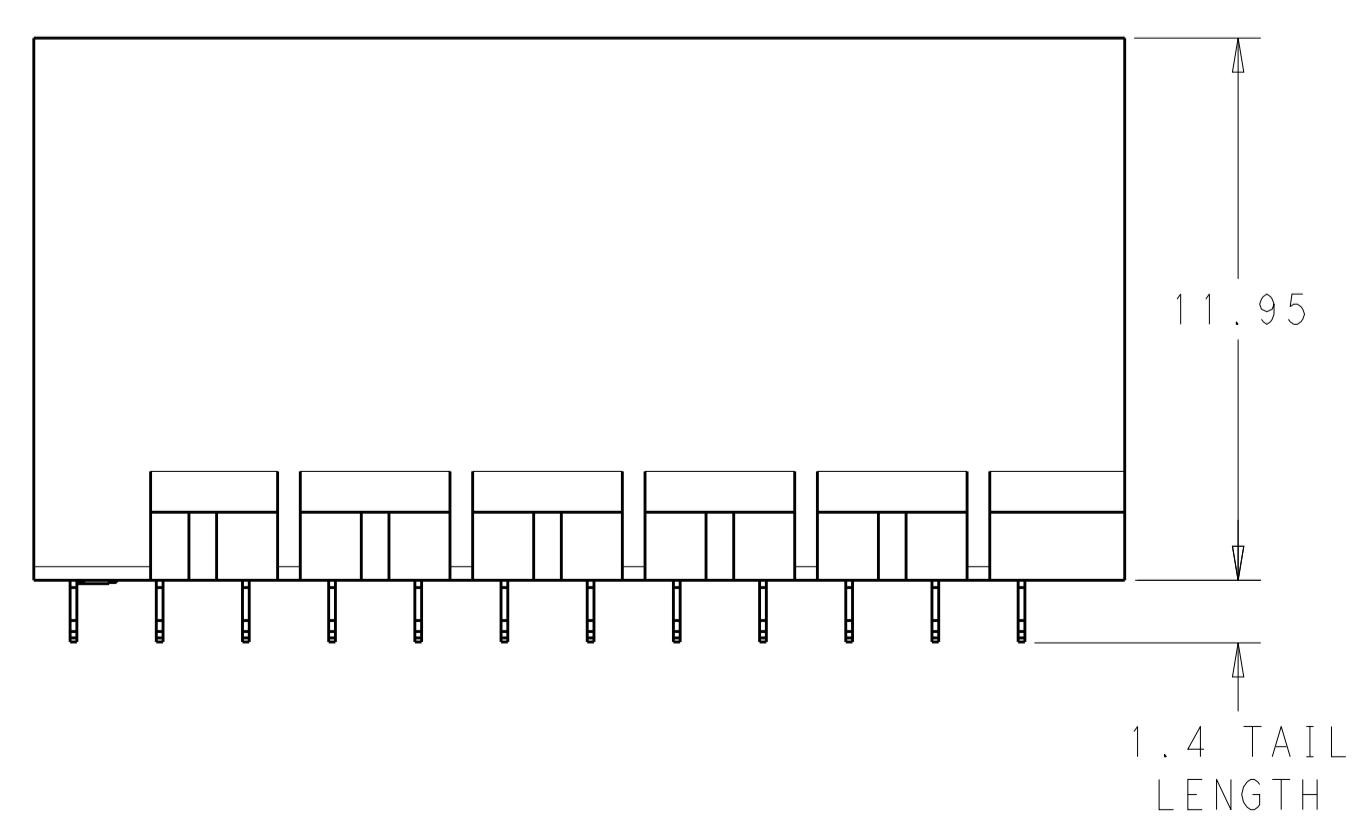
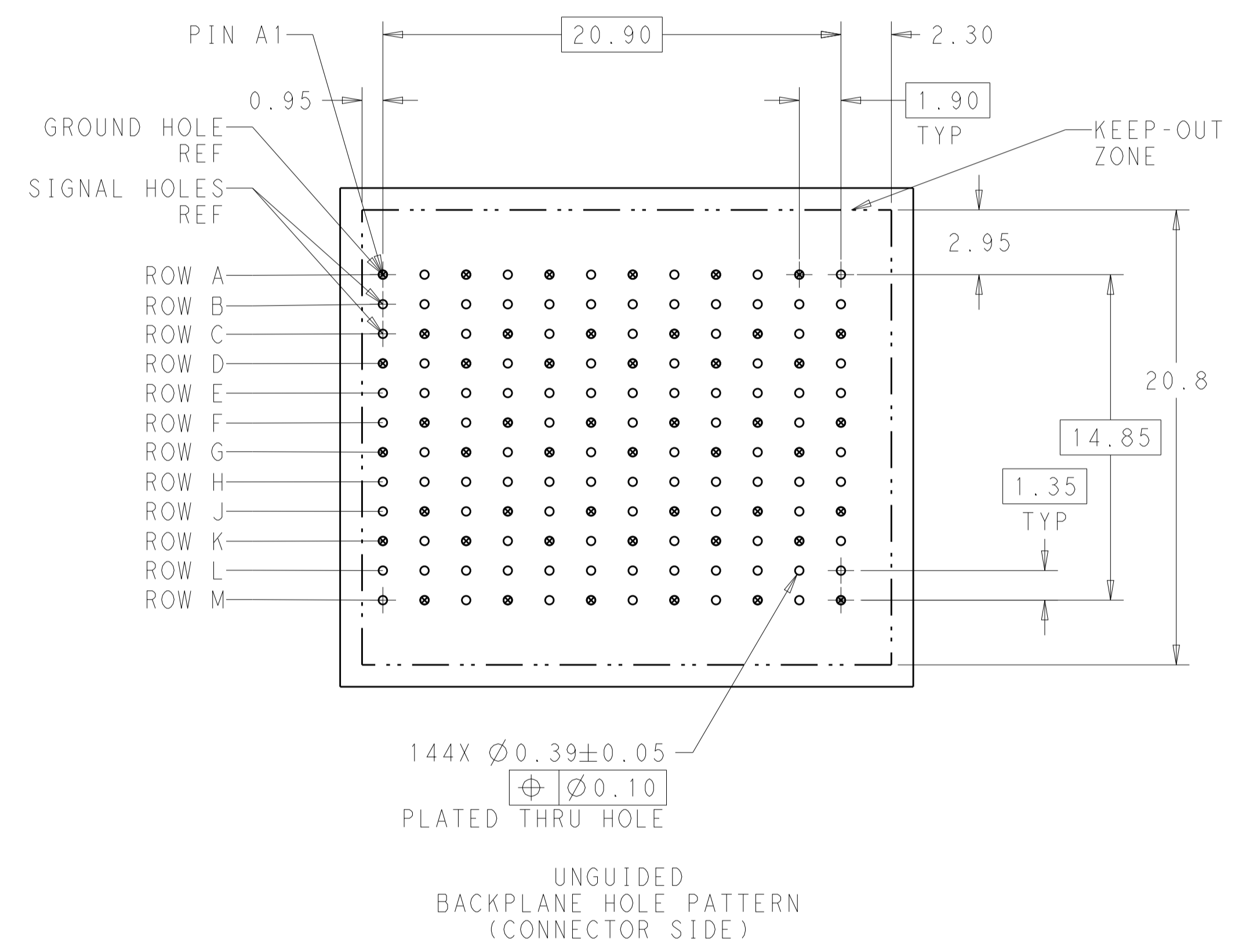


LOC		DIST		REVISIONS			
P	LTN	DESCRIPTION	DATE	DWN	APVD		
A1		REVISED PER ECO-15-001494	06FEB2015	AP	DD		



⚠ MATERIAL:
 HOUSING: LCP, GLASS FILLED, UL94V-0.
 TERMINALS: HIGH PERFORMANCE COPPER ALLOY.

⚠ FINISH:
 30μ" MIN GOLD IN CONTACT AREA. SELECTIVE TIN
 ON PCB TAILS, NICKEL OVERALL.



THIS DRAWING IS A CONTROLLED DOCUMENT.		DWN: B. CARBO 20JAN2012	TE Connectivity
DIMENSIONS: mm		CHK: D. YI 20JAN2012	
TOLERANCES UNLESS OTHERWISE SPECIFIED:		APVD: D. YI 20JAN2012	NAME: IMPACT, 4 PAIR, 12 COLUMN, HEADER UNGUIDED, RIGHT END WALL SIGNAL MODULE, 0.39 PTH
0 PLC ±	1 PLC ±0.25	PRODUCT SPEC	SIZE: CAGE CODE DRAWING NO: A100779C=2149993
2 PLC ±0.13	3 PLC ±	APPLICATION SPEC	RESTRICTED TO
4 PLC ±	ANGLES ±	WEIGHT	SCALE: 6:1 SHEET 1 OF 2 REV: A1
FINISH: SEE TABLE		CUSTOMER DRAWING	

THIS DRAWING IS UNPUBLISHED. RELEASED FOR PUBLICATION 20
 © COPYRIGHT 20 BY - ALL RIGHTS RESERVED.

LOC		DIST		REVISIONS			
AD	00	P	LTN	DESCRIPTION	DATE	DWN	APVD
-	-	-	-	SEE SHEET 1	-	-	-

FINISH	DIM M	PART NUMBER
	5.5	2149993-3
	4.9	2149993-2
	4.5	2149993-1

REFER TO WWW.TE.COM
FOR PRODUCT AVAILABILITY

THIS DRAWING IS A CONTROLLED DOCUMENT.		DWN	20JAN2012		
DIMENSIONS:		CHK	20JAN2012		
mm		J. EARY	20JAN2012		
TOLERANCES UNLESS OTHERWISE SPECIFIED: 0 PLC ± 1 PLC ±0.25 2 PLC ±0.13 3 PLC ± 4 PLC ± ANGLES ±		APVD	J. EARY 20JAN2012	NAME	IMPACT, 4 PAIR, 12 COLUMN, HEADER UNGUIDED, RIGHT END WALL SIGNAL MODULE, 0.39 PTH
		PRODUCT SPEC		SIZE	A100779C=2149993
MATERIAL		APPLICATION SPEC		RESTRICTED TO	-
FINISH		WEIGHT		CUSTOMER DRAWING	
SEE TABLE		SCALE		5:1 SHEET 2 OF 2 REV A1	